



US00D949600S

(12) **United States Design Patent**
Brown

(10) **Patent No.:** **US D949,600 S**

(45) **Date of Patent:** **** *Apr. 26, 2022**

(54) **PILLOW**

(71) Applicant: **Hit Notion, LLC**, Detroit, MI (US)

(72) Inventor: **Vita-Anne Brown**, Detroit, MI (US)

(73) Assignee: **Hit Notion, LLC**, Detroit, MI (US)

(*) Notice: This patent is subject to a terminal disclaimer.

(**) Term: **15 Years**

(21) Appl. No.: **29/717,095**

(22) Filed: **Dec. 13, 2019**

Related U.S. Application Data

(63) Continuation of application No. 29/622,761, filed on Oct. 19, 2017, now Pat. No. Des. 875,432.

(51) **LOC (13) Cl.** **06-09**

(52) **U.S. Cl.**
USPC **D6/601**

(58) **Field of Classification Search**
USPC D6/601, 382, 383
CPC A47C 7/383; A47C 16/005; A47C 20/00;
A47C 20/02; A47C 20/027; A47C 20/04;
A47G 2009/1018; A47G 9/10; A47G
9/1081; A47G 9/0253; A47G 9/1045;
A47G 9/1072; A61G 7/072; A61G
13/121; A61G 7/07; A61G 13/1225
See application file for complete search history.

(56) **References Cited**

U.S. PATENT DOCUMENTS

- 2,489,693 A * 11/1949 Williams A47C 17/045
297/440.17
- 5,423,098 A * 6/1995 Swezey A47C 20/027
297/410
- D373,275 S * 9/1996 Bell D6/601

- D376,503 S * 12/1996 Petersson D6/596
- D427,833 S * 7/2000 Robinson D6/601
- 6,814,709 B2 * 11/2004 Schwartz A47C 7/725
5/633
- 7,284,290 B1 * 10/2007 Swezey A47C 20/027
5/630
- 7,313,836 B1 * 1/2008 Swezey A47C 20/027
297/230.1
- D875,432 S * 2/2020 Brown A47G 9/1081
D6/601

(Continued)

OTHER PUBLICATIONS

Alegter Reading and Bed Rest Pillow with Support Arms (on-line), dated Dec. 16, 2020. Retrieved from Internet Dec. 20, 2021, URL: <https://www.amazon.com/Alegter-Reading-Support-Pregnancy-Watching/dp/B08QR9HD54> (7 pages) (Year:2020)*

(Continued)

Primary Examiner — Kimberly Barnes

(74) *Attorney, Agent, or Firm* — Brett A. Schenck

(57) **CLAIM**

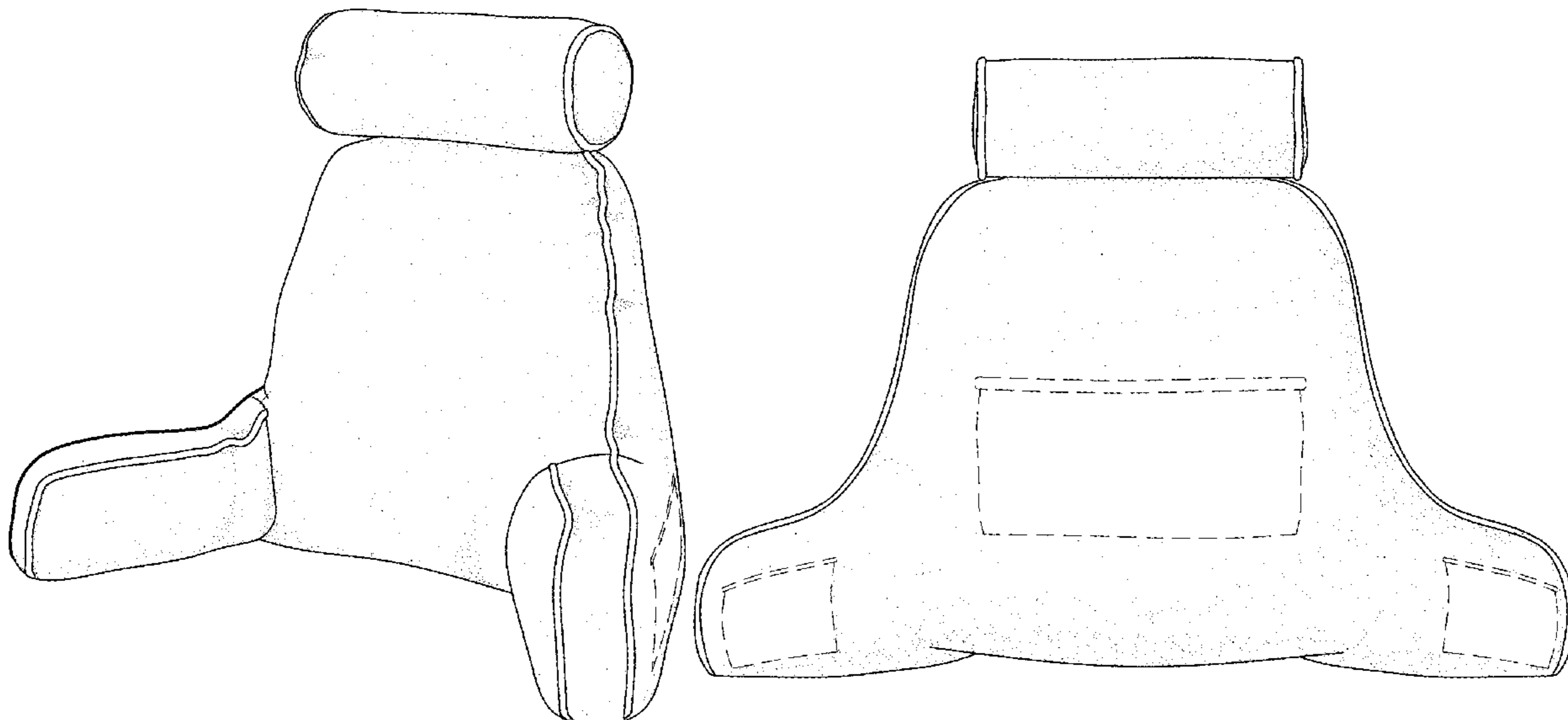
The ornamental design for a pillow, as shown and described.

DESCRIPTION

FIG. 1 is a top, front, right perspective view of a pillow, showing my new design;
FIG. 2 is a front view thereof;
FIG. 3 is a right side view thereof;
FIG. 4 is a left side view thereof;
FIG. 5 is a rear view thereof;
FIG. 6 is a top view thereof;
FIG. 7 is a bottom view thereof; and,
FIG. 8 is a top, front, right perspective view thereof with the head pillow portion positioned downwardly from that shown in FIG. 1.

The even length broken lines in the drawings depict portions of the pillow that form no part of the claimed design.

1 Claim, 7 Drawing Sheets



(56)

References Cited

U.S. PATENT DOCUMENTS

D892,518 S * 8/2020 Zhao D6/601
10,869,556 B2 * 12/2020 Alletto, Jr. A47C 20/027
2019/0191900 A1 * 6/2019 Brown A47C 7/36
2021/0186238 A1 * 6/2021 Kilo A47G 9/1072

OTHER PUBLICATIONS

Alwyn Home Grasmere 24 Backrest Pillow Cover and Insert and Reviews (on-line), dated Jul. 5, 2018. Retrieved from Internet Dec. 20, 2021, URL: <https://www.wayfair.com/decor-pillows/pdp/alwyn-home-grasmere-24-backrest-pillow-cover-insert-w005160667.html> (3 pages) (Year: 2018).*

Cheer Collection Large TV and Reading Pillow with Bolster (on-line), no date available. Retrieved from Internet Dec. 20, 2021, URL: <https://www.macys.com/shop/product/large-tv-reading-pillow-with-bolster?ID=11696186&CategoryID=75798&swatchColor=Purple> (2 pages).*

Large Backrest Reading Pillow with Arm Pockets Ultimate Memory Foam Husband Pillow (on-line), no date available. Retrieved from Internet Dec. 20, 2021, URL: https://www.alibaba.com/product-detail/Large-Backrest-Reading-Pillow-with-Arm_62136213868.html (2 pages).*

* cited by examiner

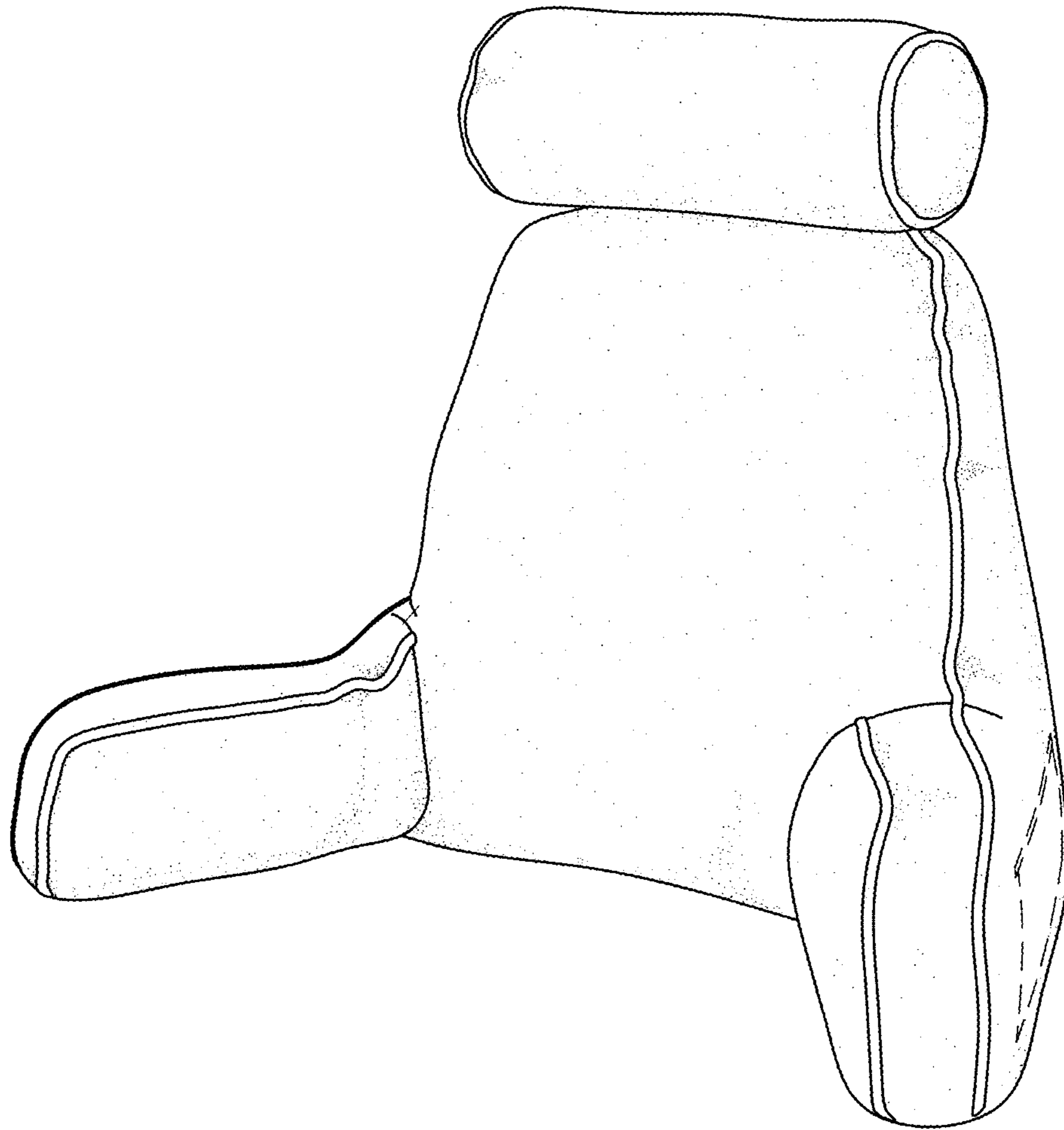


FIG. 1

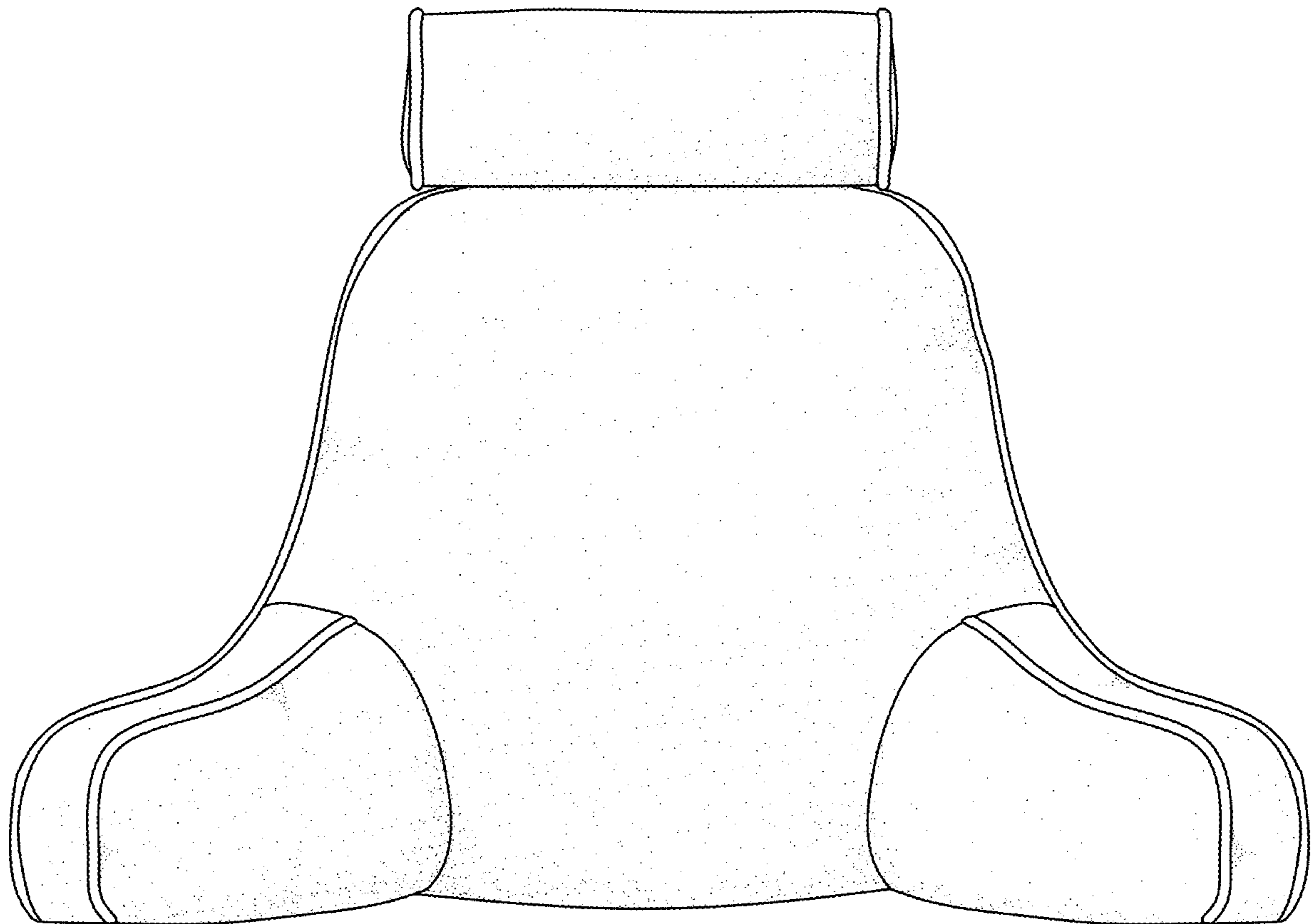


FIG. 2

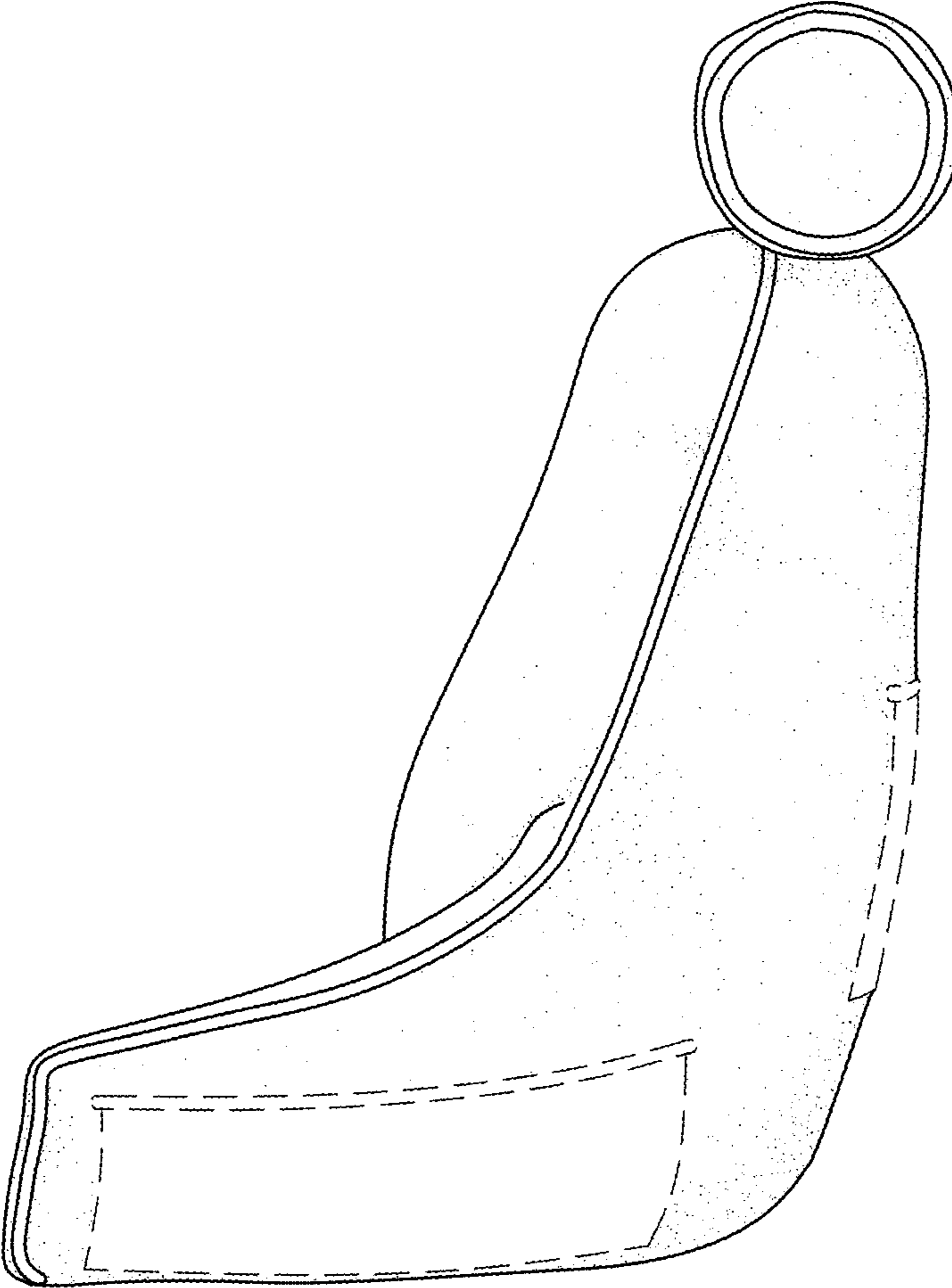


FIG. 3

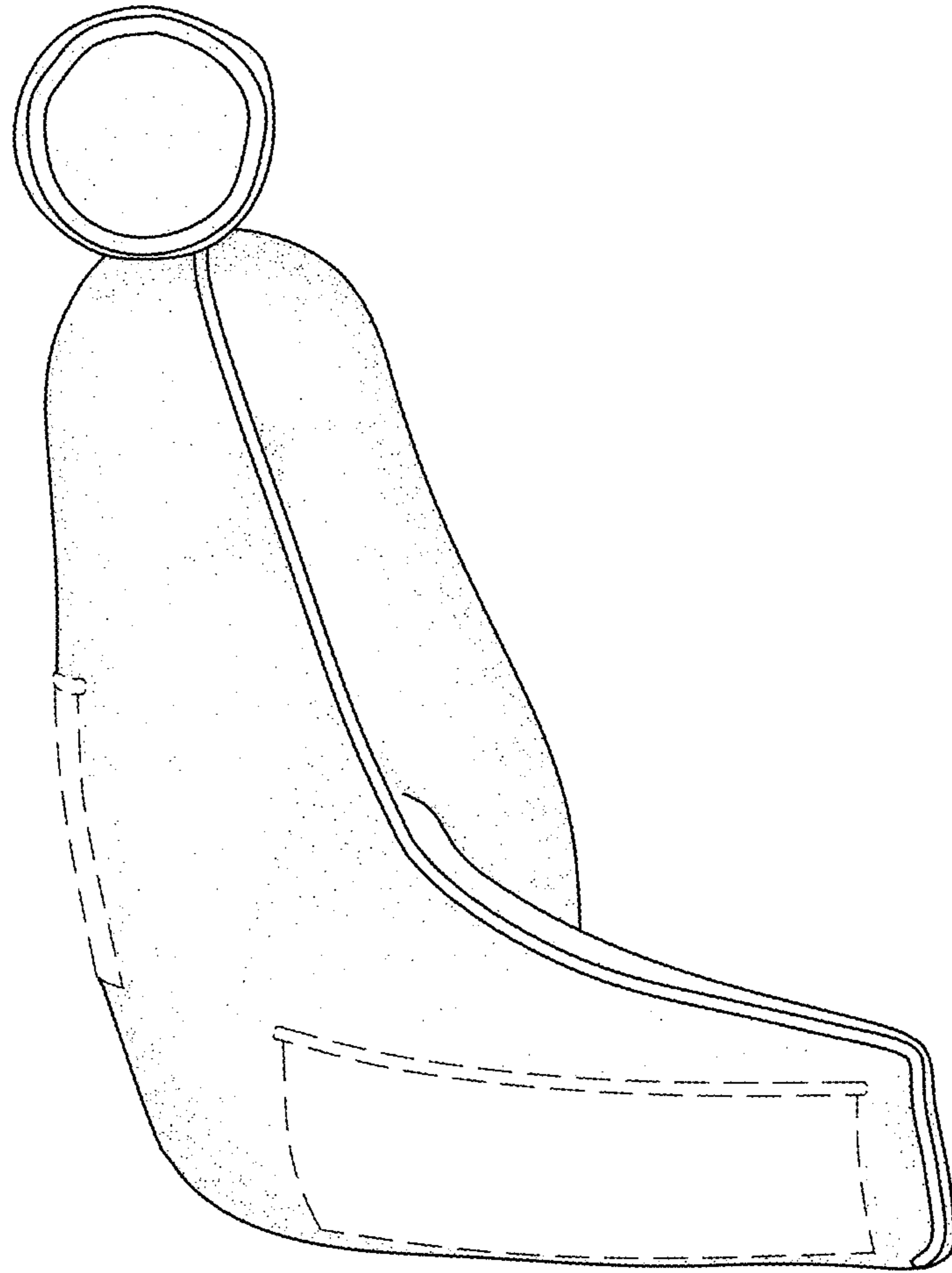


FIG. 4

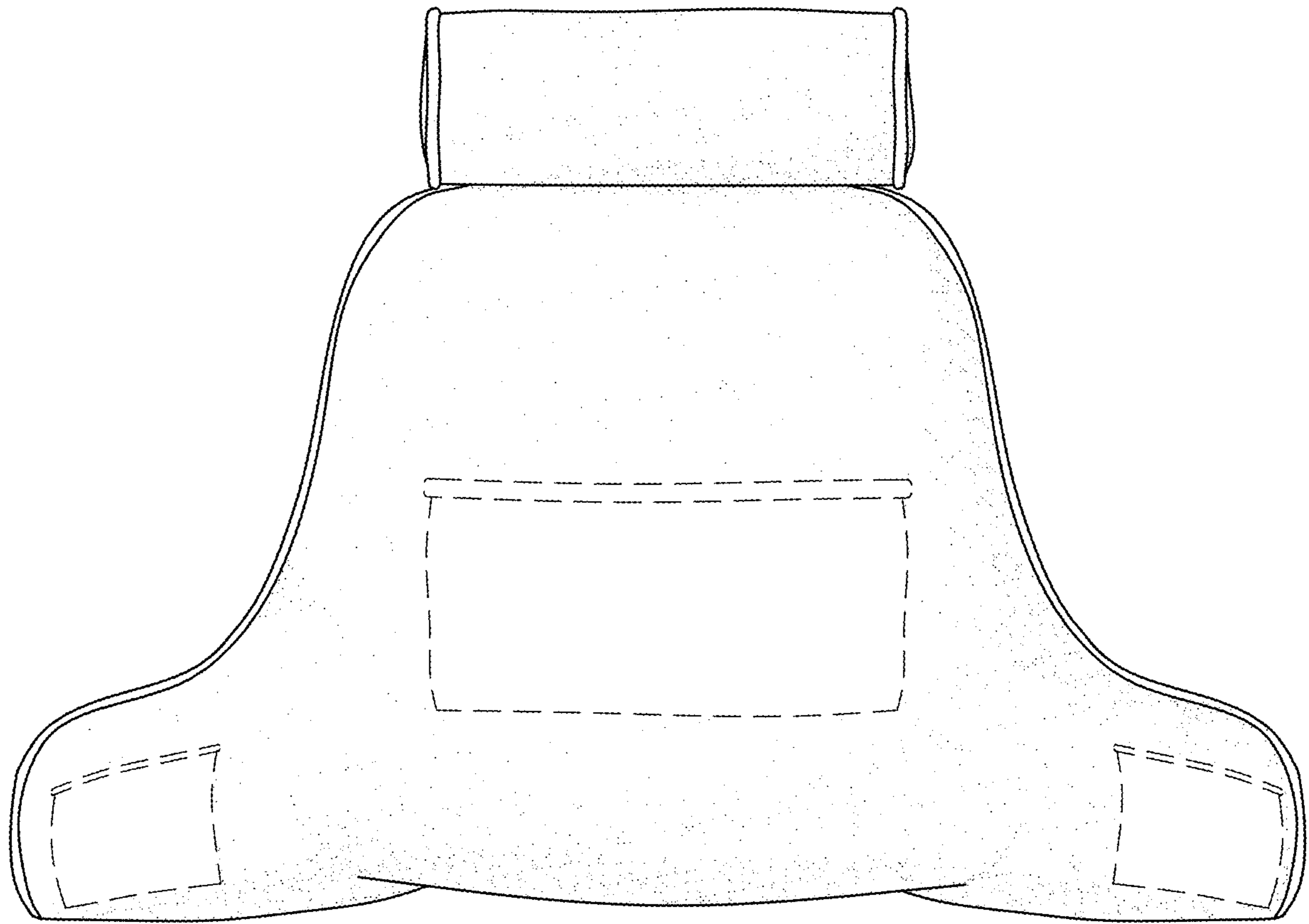


FIG. 5

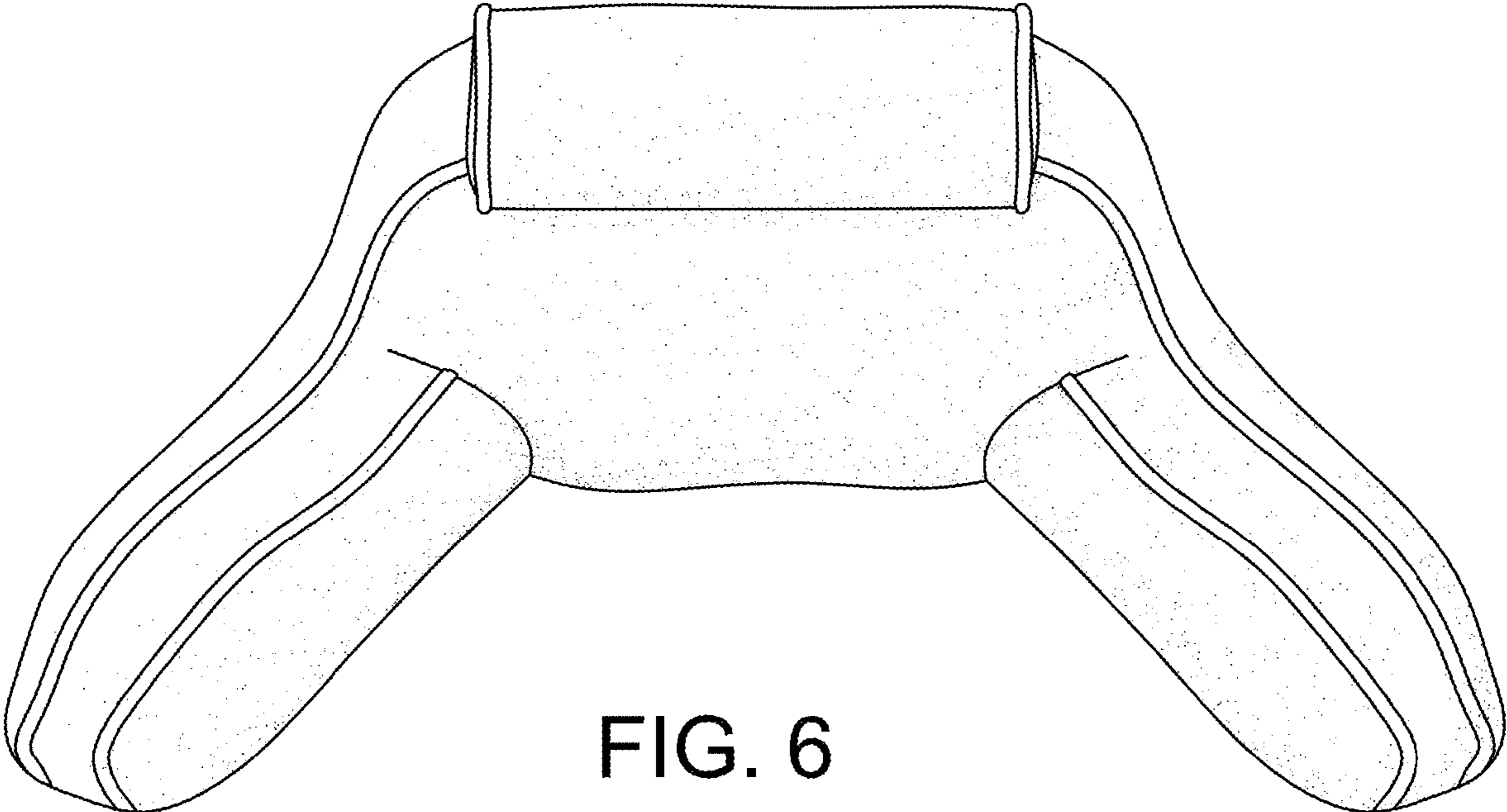


FIG. 6

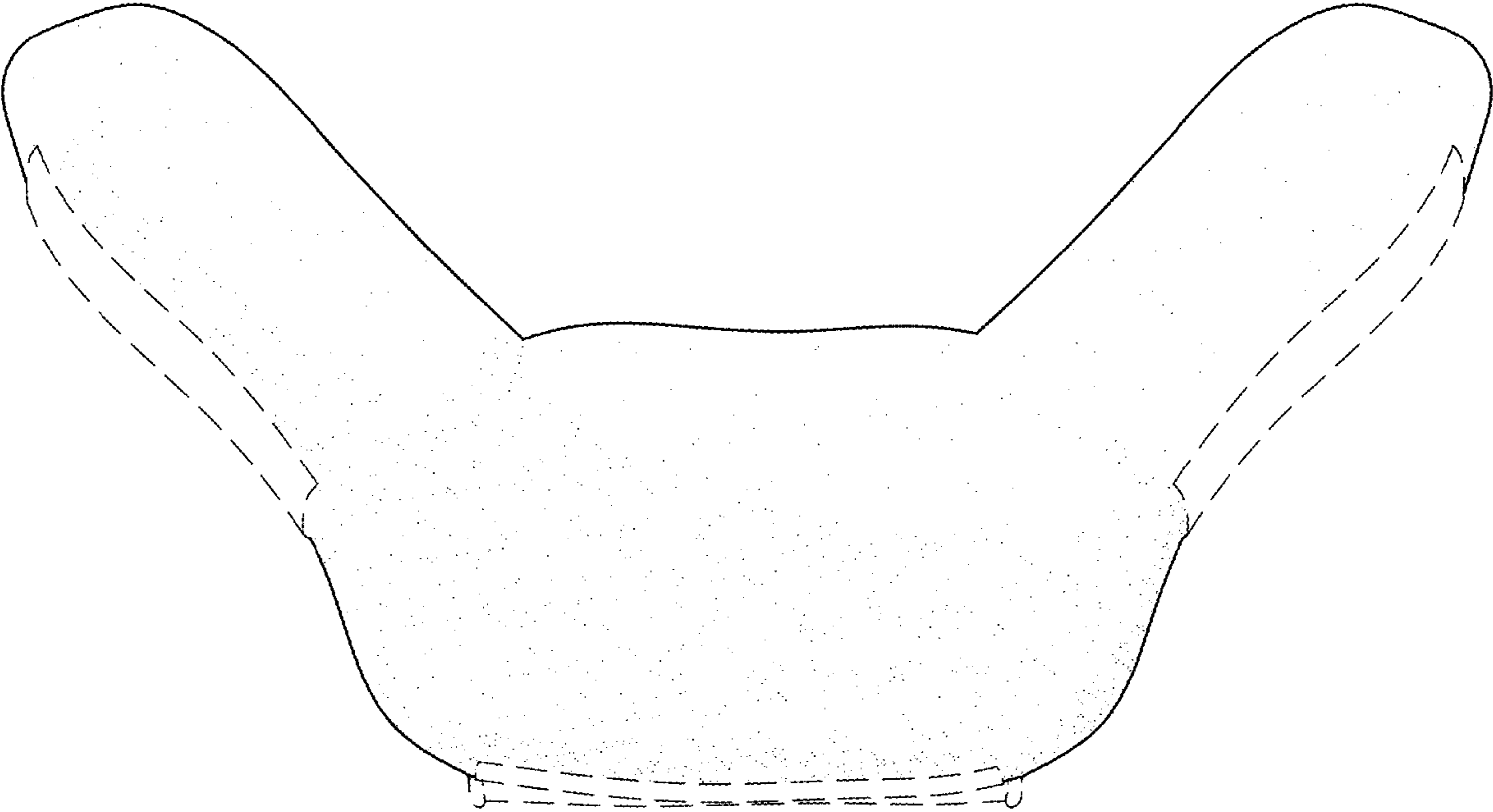


FIG. 7

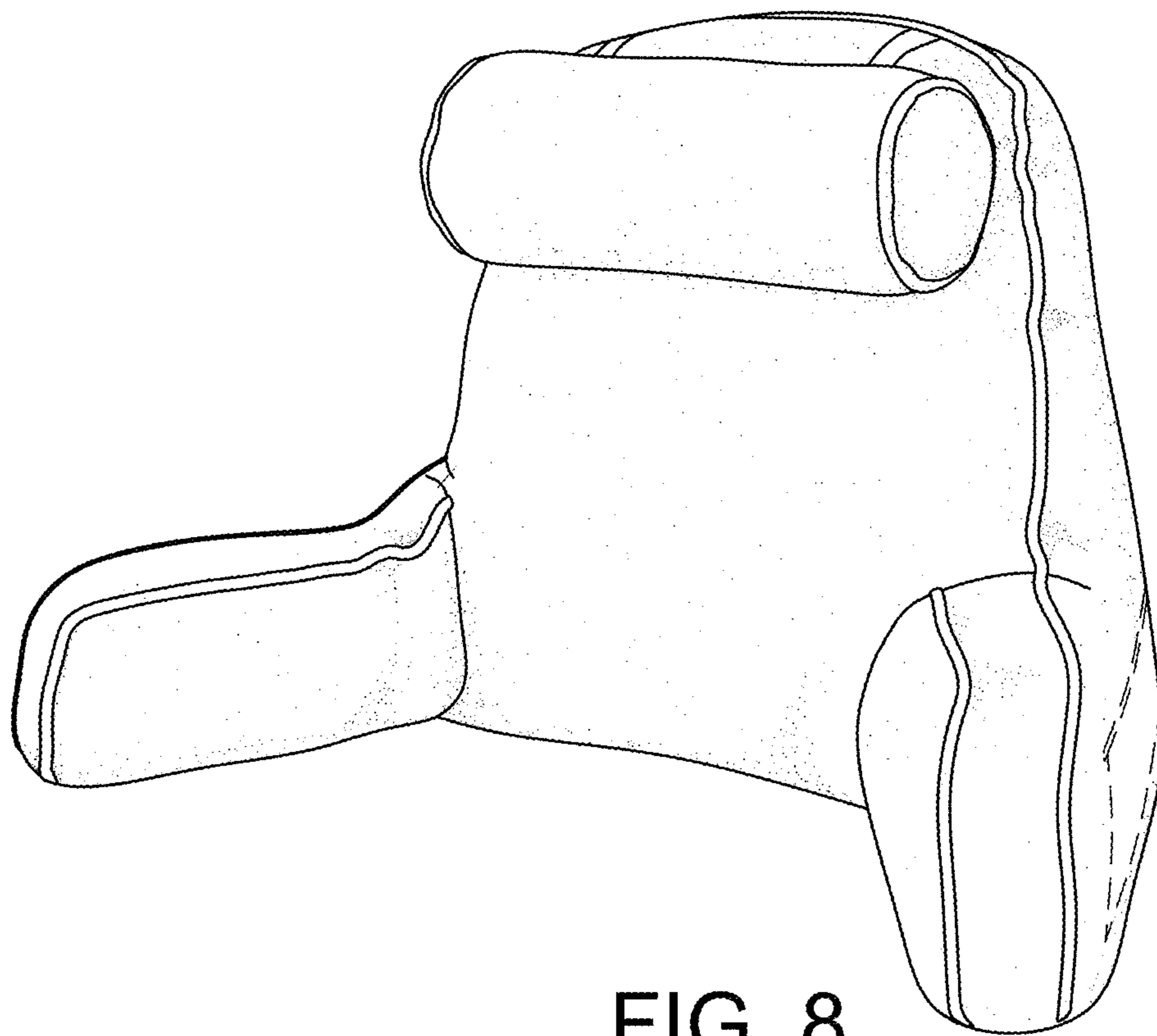


FIG. 8