



US00D949597S

(12) **United States Design Patent** (10) **Patent No.:** **US D949,597 S**  
**Johansson** (45) **Date of Patent:** **\*\* Apr. 26, 2022**

- (54) **FLOORING GUARD FOR PETS**
- (71) Applicant: **Bengt Johansson**, Norco, CA (US)
- (72) Inventor: **Bengt Johansson**, Norco, CA (US)
- (\*\*) Term: **15 Years**
- (21) Appl. No.: **29/728,934**
- (22) Filed: **Mar. 23, 2020**

7,955,679	B2	6/2011	Duprez	
8,524,350	B2	9/2013	Lee	
8,663,775	B2	3/2014	Bitela et al.	
D812,344	S *	3/2018	Brazile	A45F 3/005
				D2/627
D886,492	S *	6/2020	Farkas	A45F 3/005
				D6/582
10,694,878	B1 *	6/2020	Johansson	A47L 23/266
2005/0058803	A1 *	3/2005	Bowden	B05B 14/00
				428/80
2012/0148787	A1 *	6/2012	Bitela	A01K 1/0157
				428/83

(Continued)

**Related U.S. Application Data**

- (63) Continuation-in-part of application No. 14/304,941, filed on Jun. 15, 2014, now Pat. No. 10,694,878.
- (51) **LOC (13) Cl.** ..... **06-11**
- (52) **U.S. Cl.**  
USPC ..... **D6/582**
- (58) **Field of Classification Search**  
USPC ..... D6/582-589, 592, 609; D8/374; D19/9; D32/57; D23/307  
CPC ..... A47G 27/0206; A47G 27/0212; A47G 27/0218; A47G 27/0225; A47G 27/0237; A47G 27/0281; A47K 3/002; A47L 23/26; A47L 23/266; A63B 21/4037; A63B 6/00  
See application file for complete search history.

*Primary Examiner* — Kevin K Rudzinski  
*Assistant Examiner* — Clare Ann Gannon  
 (74) *Attorney, Agent, or Firm* — Kirk A. Buhler; Buhler & Associates Patenting

(57) **CLAIM**

The ornamental design for a flooring guard for pets, as shown and described.

**DESCRIPTION**

FIG. 1 is a top perspective view of a flooring guard for pets showing my new design in its environment;  
 FIG. 2 is a rear elevation view thereof;  
 FIG. 3 is a bottom view thereof;  
 FIG. 4 is a front elevation view thereof;  
 FIG. 5 is a top plan view thereof;  
 FIG. 6 is a right-side elevation view in the preferred embodiment, the left side elevation view being a mirror image thereof; and,  
 FIG. 7 is a top perspective view in the preferred embodiment thereof.

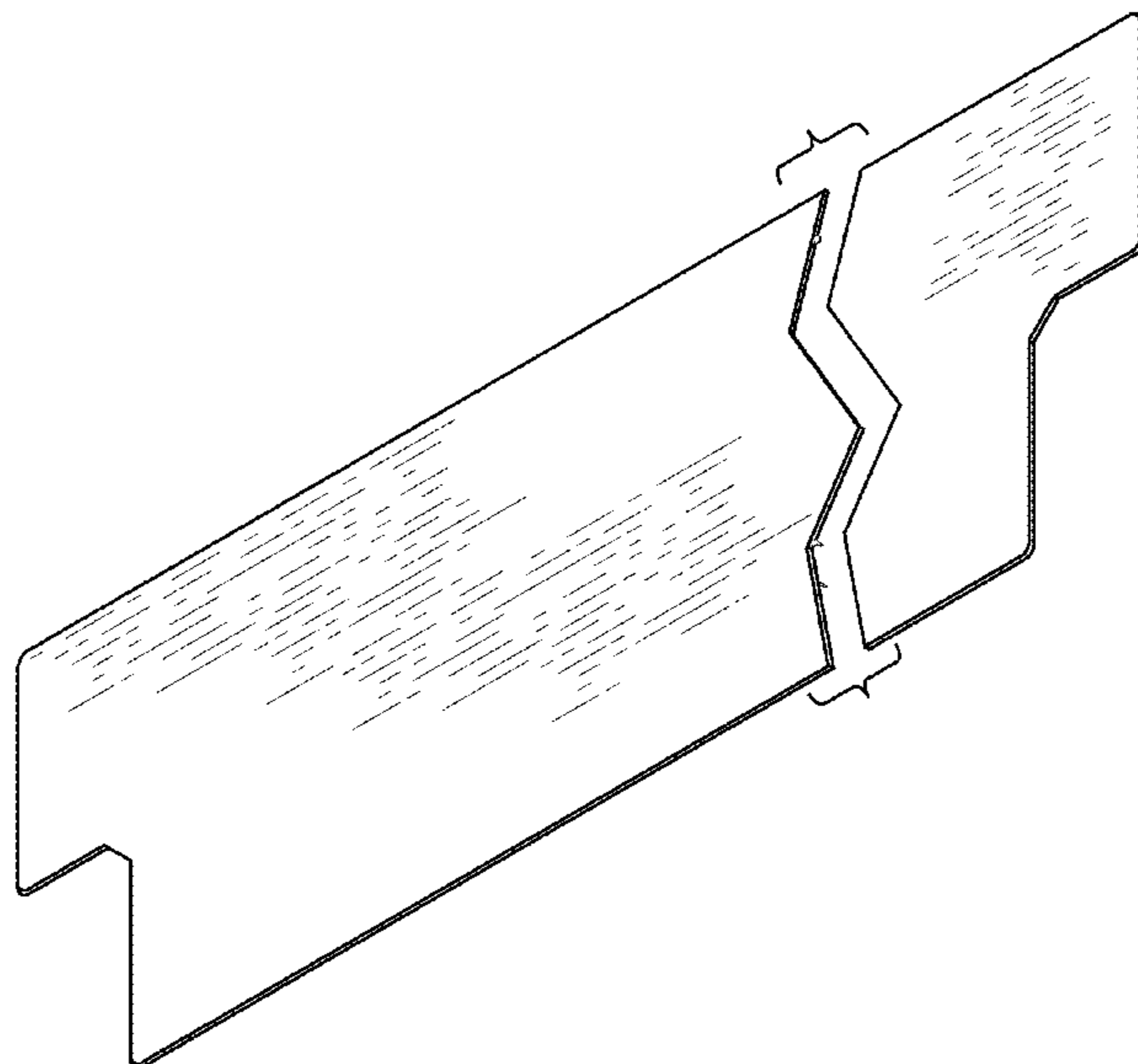
The broken lines in FIG. 1 depict environmental subject matter and form no part of the claimed design.  
 The claimed design is shown with a symbolic break in its length. The appearance of any portion of the article between the break lines forms no part of the claimed design.

(56) **References Cited**

U.S. PATENT DOCUMENTS

5,048,182	A *	9/1991	Robbins, III	B26F 1/384
				29/895.21
5,489,459	A *	2/1996	Nauman	B44D 3/00
				428/43
D434,359	S *	11/2000	Moore	A01K 1/035
				D12/203
D505,809	S *	6/2005	Cassidy	A47L 23/266
				D3/319
6,946,184	B2 *	9/2005	Robbins, III	B32B 3/06
				428/120
7,029,743	B2	4/2006	Robbins, III	

**1 Claim, 4 Drawing Sheets**



(56)

**References Cited**

U.S. PATENT DOCUMENTS

2012/0244308 A1\* 9/2012 Lee ..... A47L 23/266  
428/81  
2014/0134384 A1\* 5/2014 Bitela ..... A01K 1/035  
428/81  
2019/0343315 A1\* 11/2019 Lowenhagen ..... A47K 10/02

\* cited by examiner

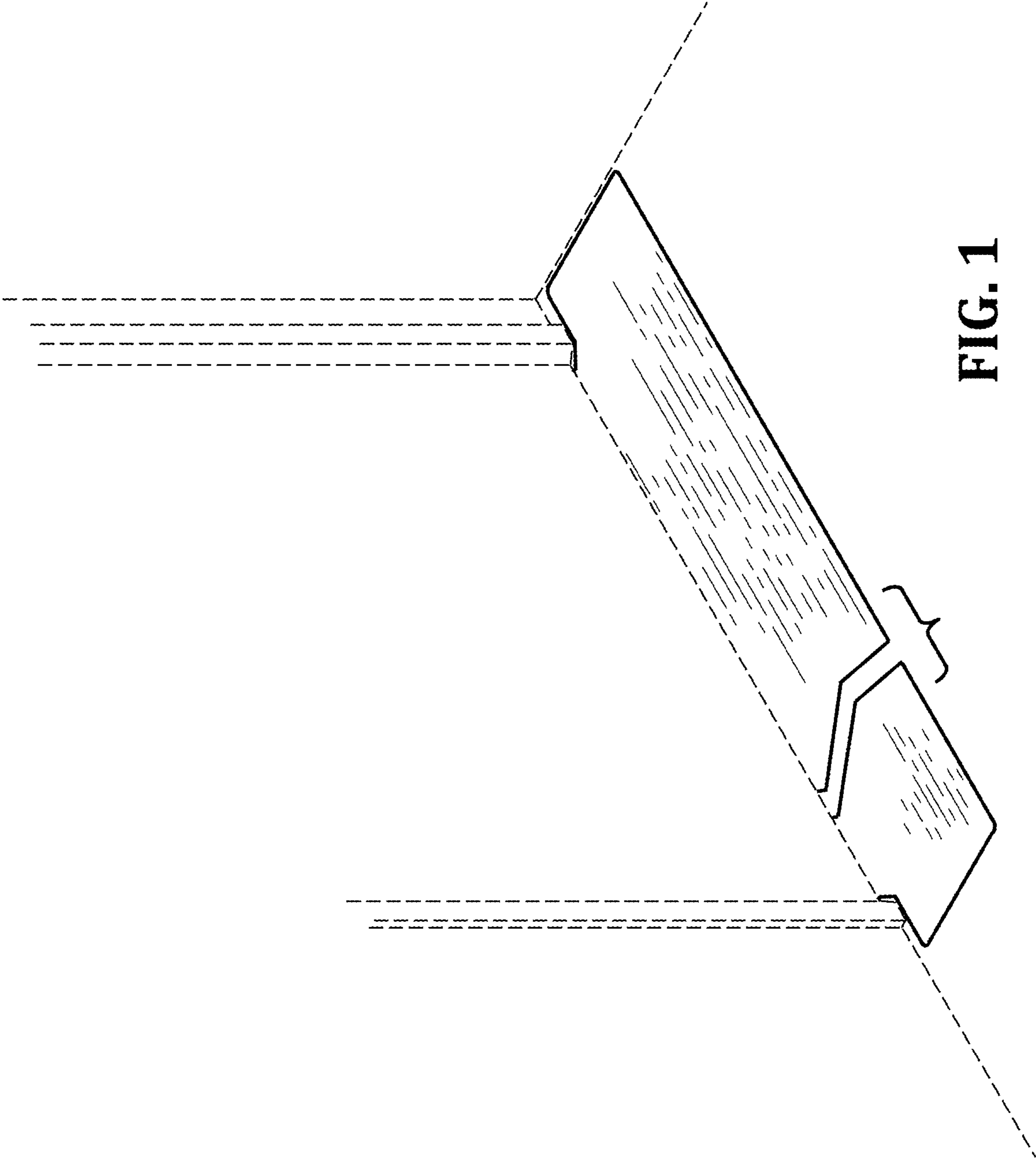


FIG. 1

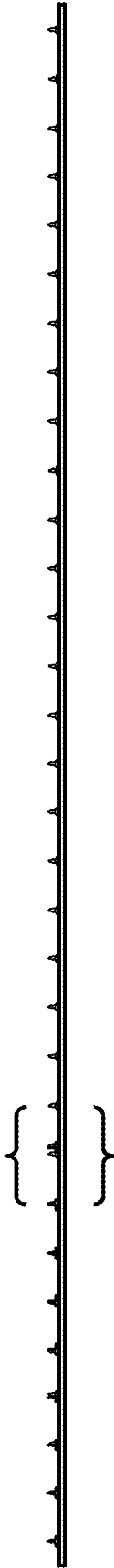


FIG. 2

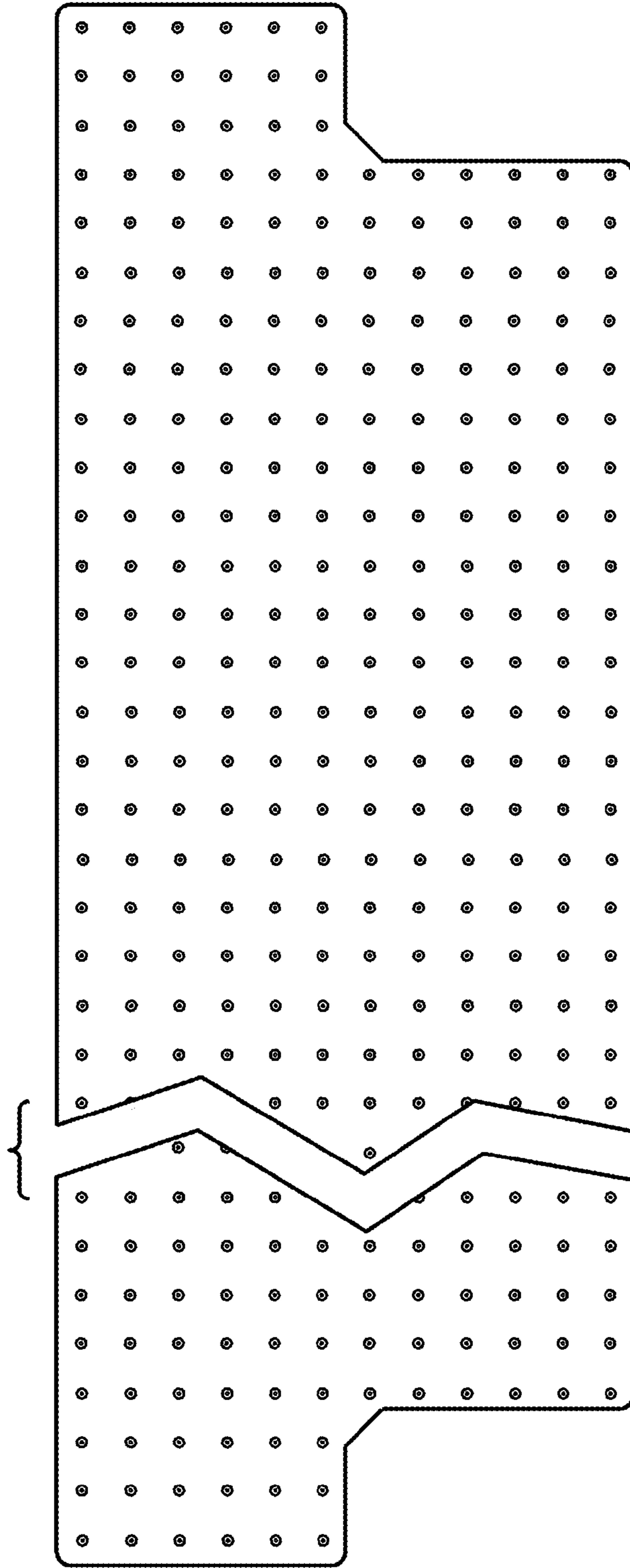


FIG. 3

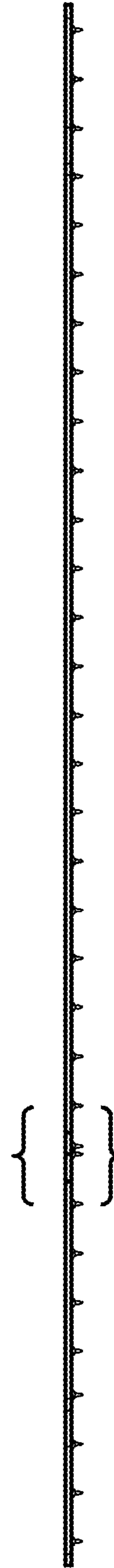


FIG. 4

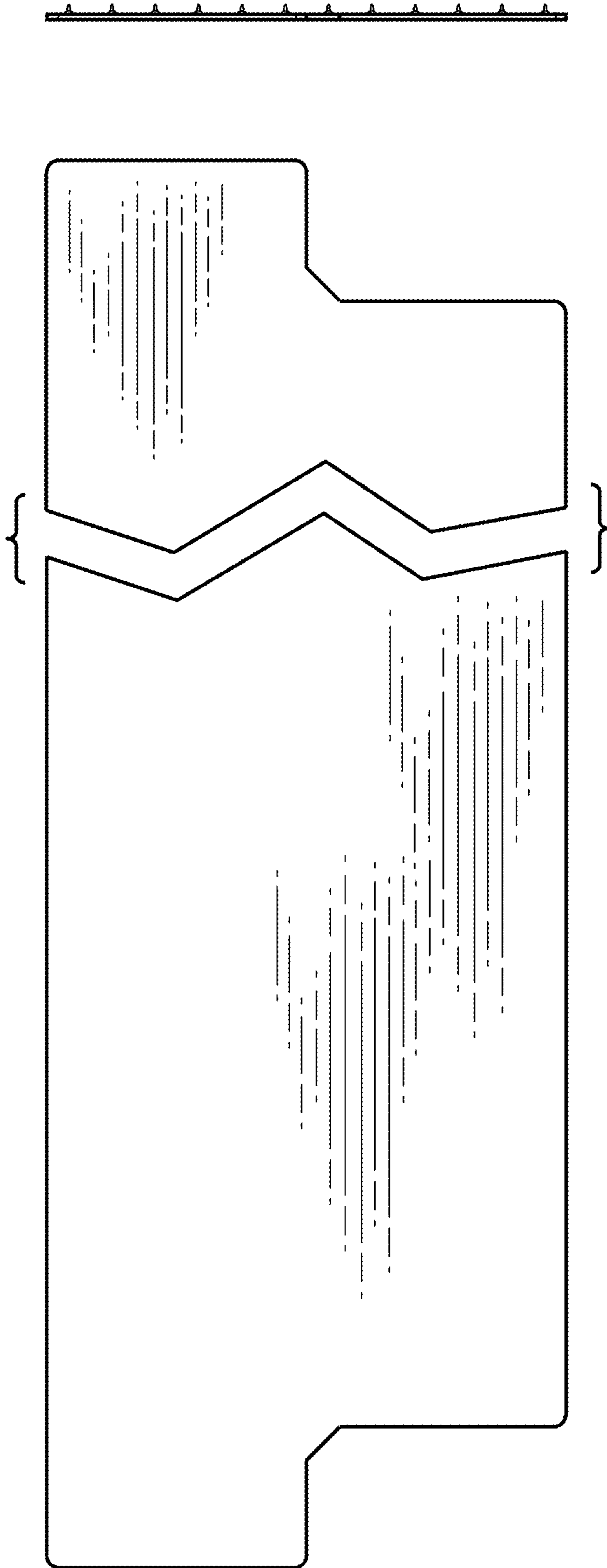


FIG. 5

FIG. 6

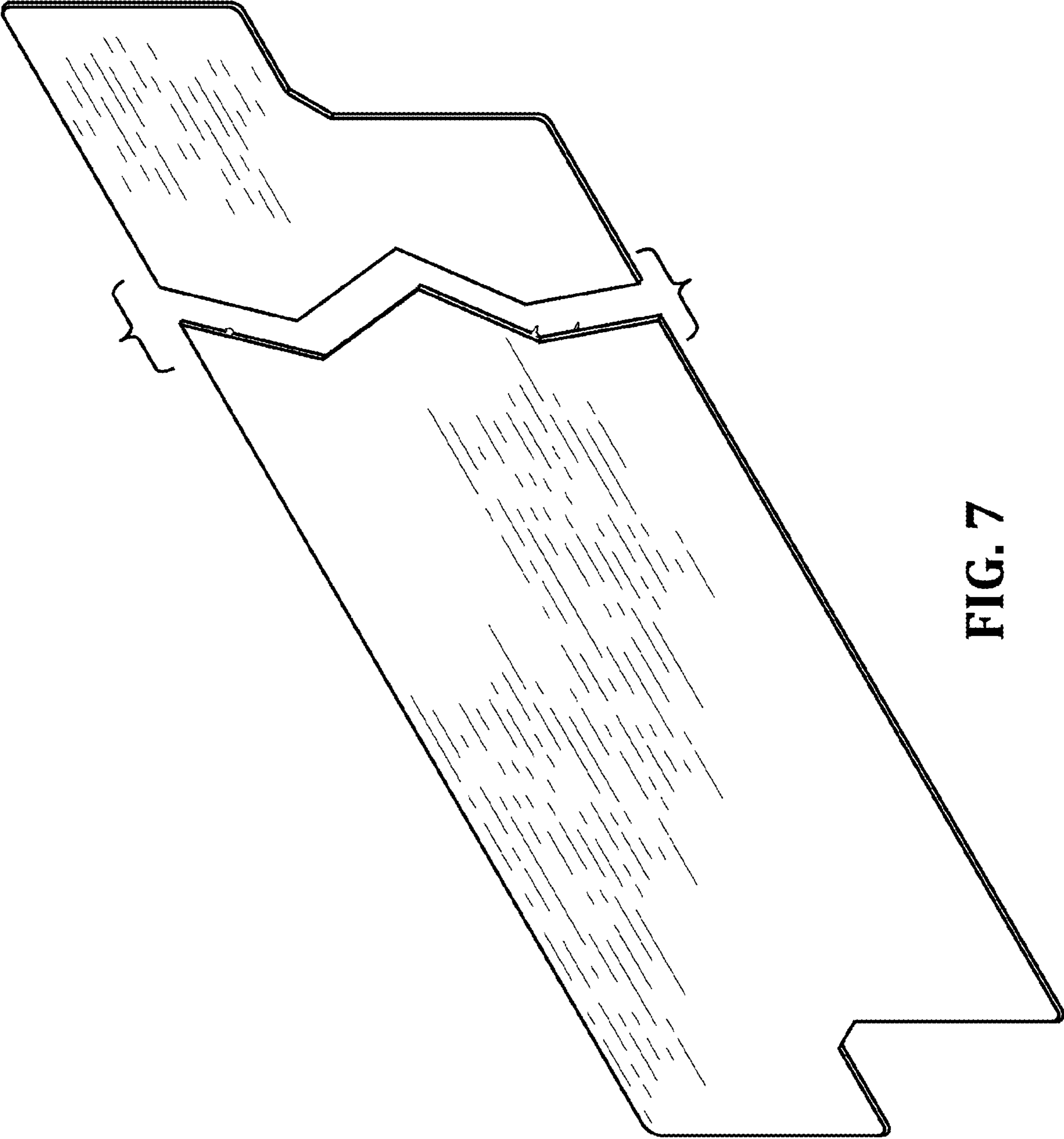


FIG. 7