



US00D949596S

(12) **United States Design Patent** (10) **Patent No.:** **US D949,596 S**
Diamond et al. (45) **Date of Patent:** **** Apr. 26, 2022**

(54) **INDOOR BLIND** D710,128 S * 8/2014 Garcia E06B 9/30
D6/581
(71) Applicant: **Fourds Limited**, Magherafelt (GB) 10,329,840 B2 6/2019 Diamond
2011/0139382 A1* 6/2011 Daniels E06B 9/50
(72) Inventors: **Cormac Diamond**, Magherafelt (GB); 2015/0007946 A1* 1/2015 Yu E06B 9/30
Patrick McGirr, Magherafelt (GB); 160/84.02
Kathryn Bleakley, Magherafelt (GB) 2017/0145744 A1* 5/2017 Diamond E06B 9/326
2017/0183908 A1* 6/2017 Lu E06B 9/40
(73) Assignee: **FOURDS LIMITED**, Magherafelt 2018/0313147 A1* 11/2018 Krantz-Lilienthal E06B 9/78
(GB) 2021/0002958 A1* 1/2021 Meyerink E06B 9/68
2021/0071474 A1* 3/2021 Mcneill A47H 5/032

(**) Term: **15 Years**

(21) Appl. No.: **29/734,624**

(22) Filed: **May 14, 2020**

(30) **Foreign Application Priority Data**

Nov. 25, 2019 (EM) 007295159-0001

(51) **LOC (13) Cl.** **06-10**

(52) **U.S. Cl.**
USPC **D6/580**

(58) **Field of Classification Search**
USPC D5/31, 41, 99; D6/575-581; D13/155;
D26/138

CPC E06B 2009/425; E06B 2009/445; E06B
2009/583; E06B 2009/785; E06B 9/32;
E06B 9/323; E06B 9/326; E06B 9/388;
E06B 9/40; E06B 9/42; E06B 9/46; E06B
9/48; A47K 3/38; A47H 1/04; A47H
11/00; A47H 11/04; A47H 23/00; A47H
23/01; A47H 23/10; A47H 5/032
See application file for complete search history.

(56) **References Cited**

U.S. PATENT DOCUMENTS

D675,050 S * 1/2013 Garcia E06B 9/68
D6/581
D694,040 S * 11/2013 Di Stefano E06B 9/78
D6/580

FOREIGN PATENT DOCUMENTS

EM 002631028-0001 * 2/2015

* cited by examiner

Primary Examiner — Kevin K Rudzinski

Assistant Examiner — Clare Ann Gannon

(74) *Attorney, Agent, or Firm* — Standley Law Group
LLP

(57) **CLAIM**

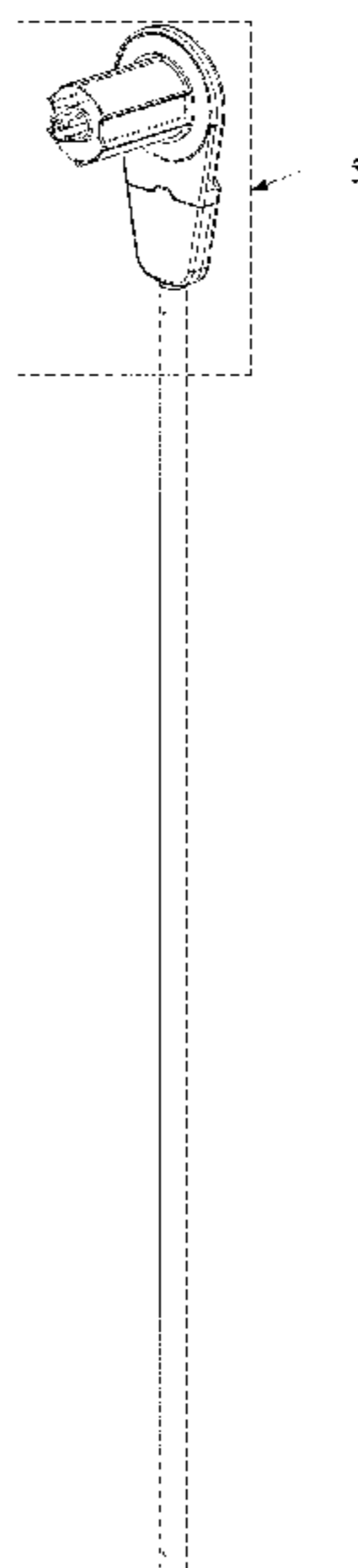
The ornamental design for an indoor blind, as shown and described.

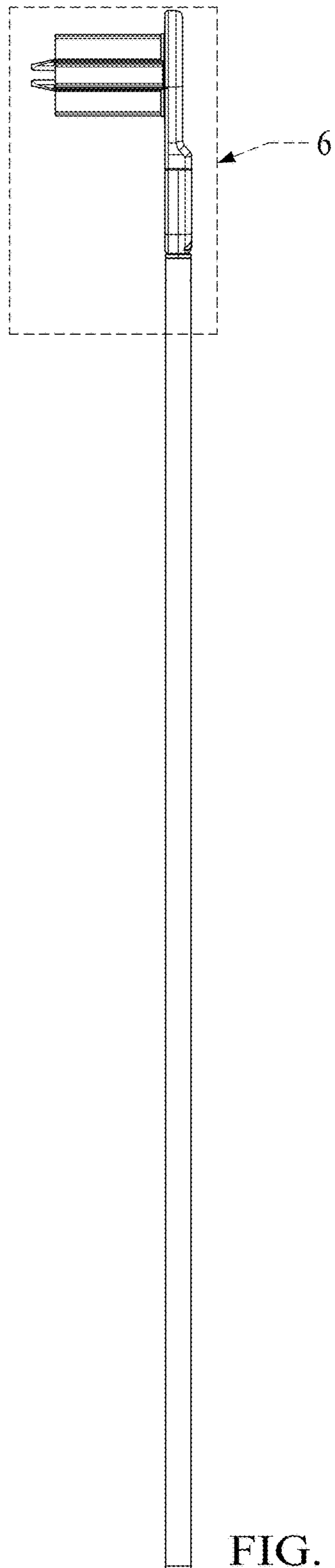
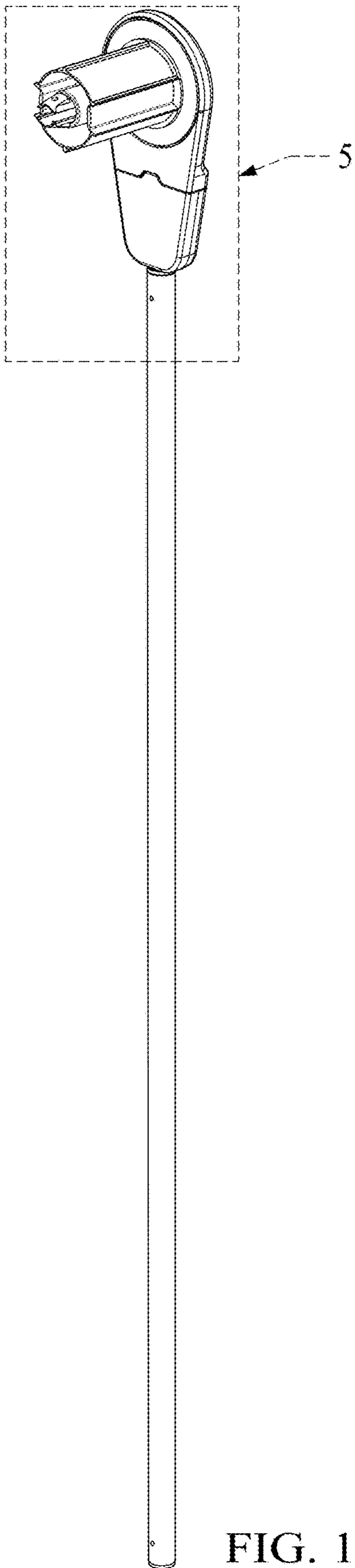
DESCRIPTION

FIG. 1 is a front perspective view of an indoor blind;
FIG. 2 is a left-side elevation view thereof, the right-side
elevation view being a mirror image thereof;
FIG. 3 is a front elevation view thereof;
FIG. 4 is a rear elevation view thereof;
FIG. 5 is an enlarged detail view of the area labeled 5 in FIG.
1; and,
FIG. 6 is an enlarged detail view of the area labeled 6 FIG.
2.

The broken lines in the drawings illustrate the portions of the
indoor blind that form no part of the claimed design.

1 Claim, 4 Drawing Sheets





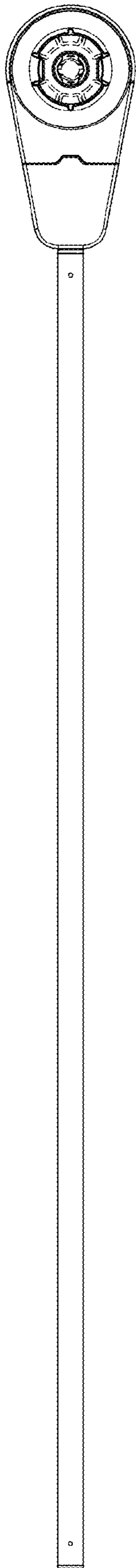


FIG. 3

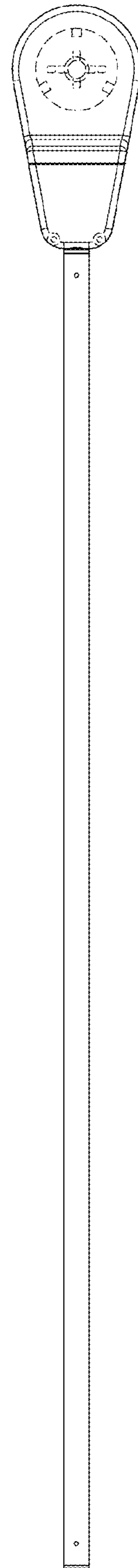


FIG. 4

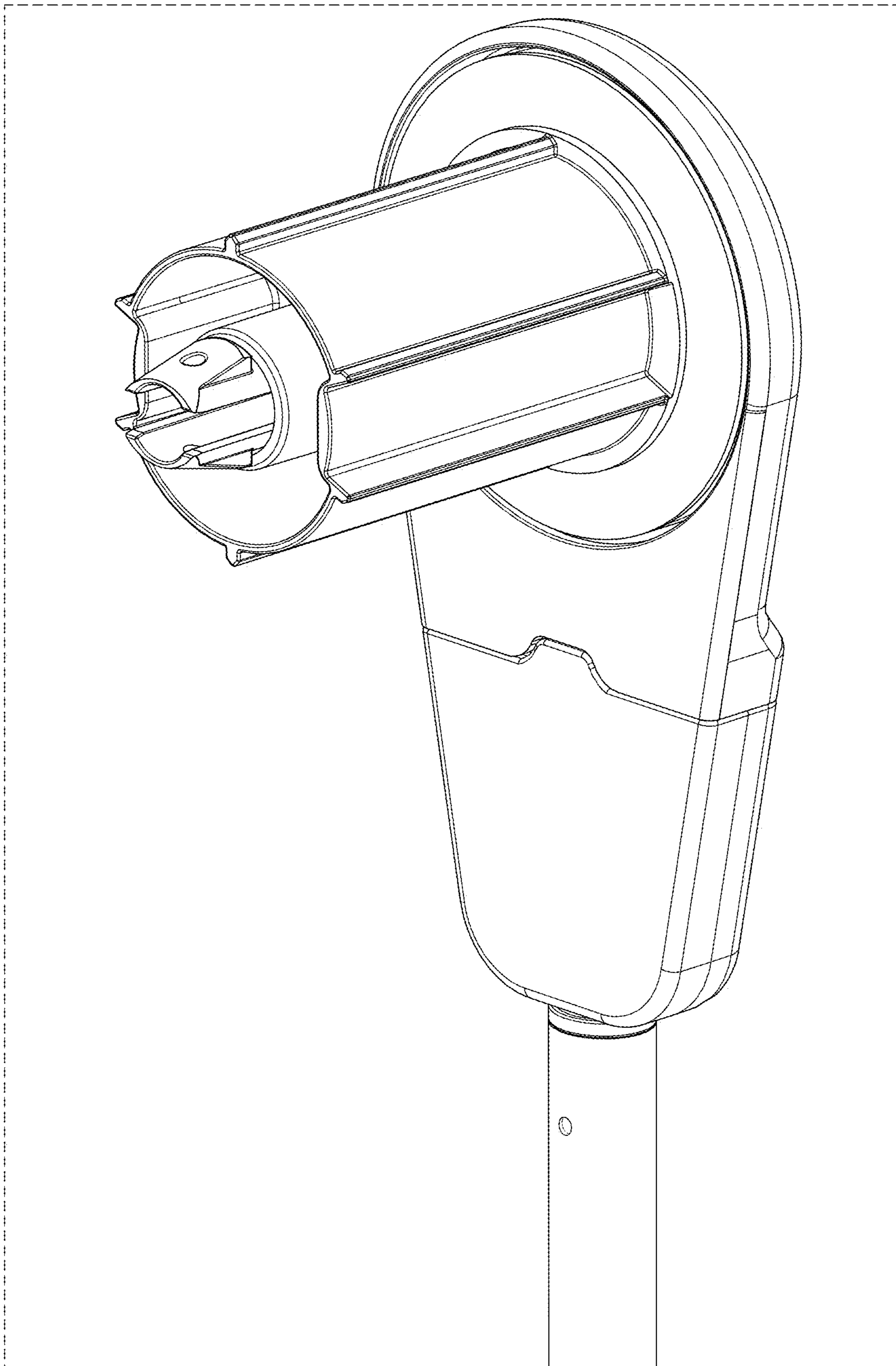


FIG. 5

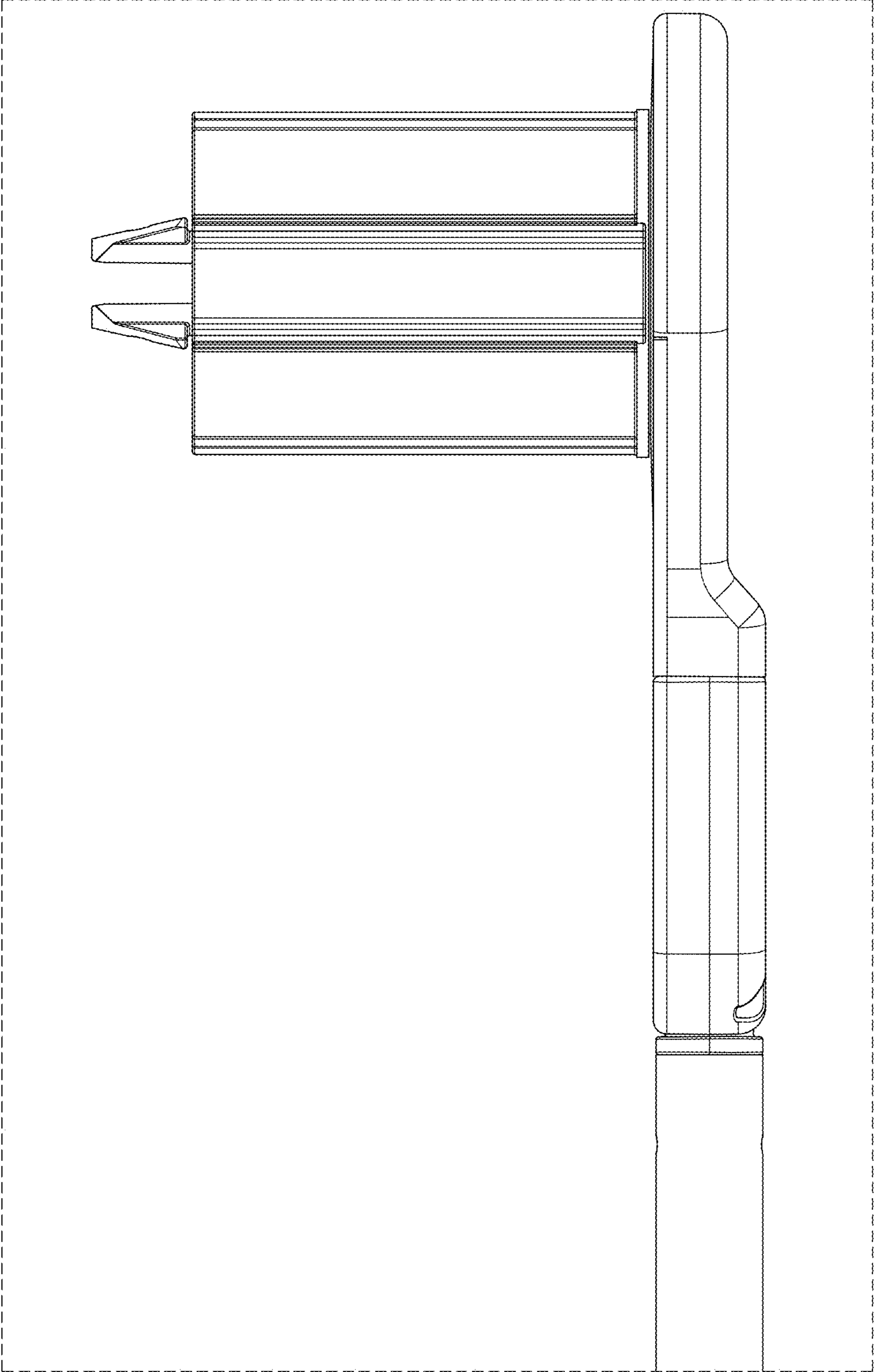


FIG. 6