



US00D949594S

(12) **United States Design Patent**
Tian

(10) **Patent No.:** **US D949,594 S**

(45) **Date of Patent:** **** Apr. 26, 2022**

(54) **TOILET BRUSH WITH HOLDER**
(71) Applicant: **Qianwen Tian**, Shenzhen (CN)
(72) Inventor: **Qianwen Tian**, Shenzhen (CN)
(**) Term: **15 Years**

D576,801 S * 9/2008 Dretzka D4/116
D689,299 S * 9/2013 Kassem Llano D6/524
D840,170 S * 2/2019 Joseph D6/525
D860,555 S 9/2019 de Martrin-Donos
10,786,125 B1 * 9/2020 Whitlock A47K 11/10
2008/0156680 A1 * 7/2008 Lai A47K 17/00
206/361
2011/0174646 A1 * 7/2011 Lai A47K 17/00
220/677

(21) Appl. No.: **29/775,692**

(22) Filed: **Mar. 24, 2021**

(51) **LOC (13) Cl.** **04-01**

(52) **U.S. Cl.**
USPC **D6/551; D4/116**

(58) **Field of Classification Search**
USPC D6/551, 525; D8/80, 83, 94, 107, 300;
206/207, 349, 361; D32/40, 42, 46, 49,
D32/51, 52; D7/541, 555, 615; 312/206,
312/207; D4/116, 100, 102, 114, 117,
D4/118, 121, 130-136, 138; 4/255.05,
4/255.11; 15/21.1, 143.1, 145, 159.1,
15/160, 186-188; 132/120, 142, 313
CPC A47K 17/00; A47K 11/10; A47K 3/001;
B65D 47/40; A46B 2200/304; A46B
17/02; A46B 17/06
See application file for complete search history.

(56) **References Cited**

U.S. PATENT DOCUMENTS

D206,135 S * 11/1966 O'Neil D6/551
D330,984 S * 11/1992 Evans D6/520
6,038,709 A * 3/2000 Kent A47K 11/10
4/255.05
6,109,429 A * 8/2000 Cunningham A47K 17/00
206/823
D509,961 S * 9/2005 Petersen-Rutten D4/121
D511,062 S * 11/2005 Lai D6/524
D526,150 S * 8/2006 Lai D6/524
D547,987 S 8/2007 Yang et al.

OTHER PUBLICATIONS

Amazon.com, IXO Toilet Brush and Holder, Feb. 28, 2019, <https://www.amazon.com/Stainless-Bathroom-Toilet-Ergonomic-Elegant-Durable/dp/B07P83NM96/> (Year: 2019).*

* cited by examiner

Primary Examiner — Nathan M Johnston

(57) **CLAIM**

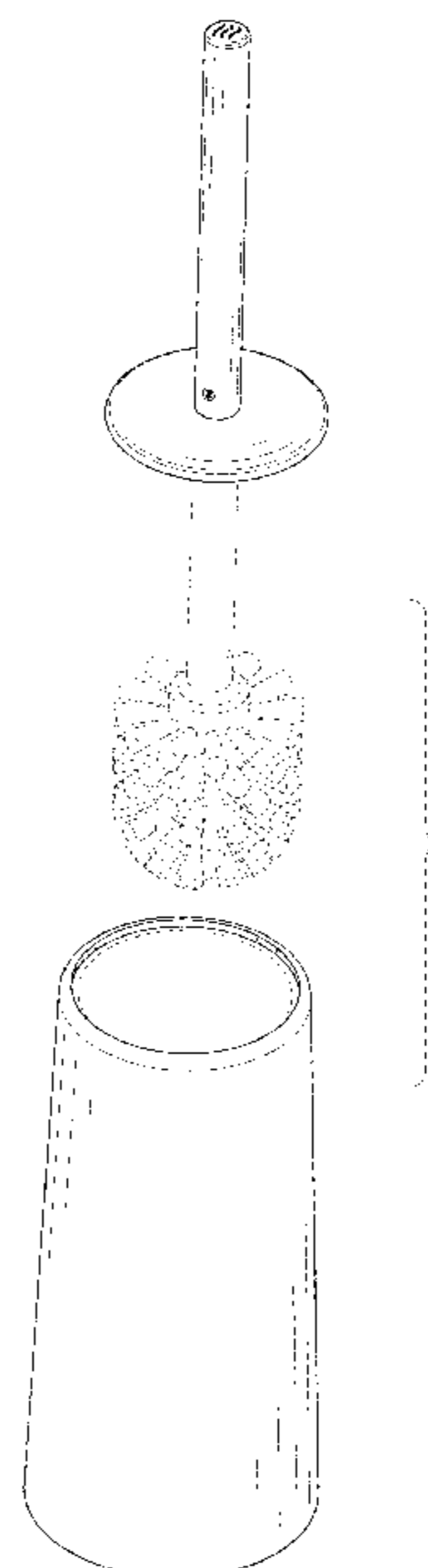
The ornamental design for a toilet brush with holder, as shown and described.

DESCRIPTION

FIG. 1 is a perspective view of a toilet brush with holder showing my new design;
FIG. 2 is another perspective view thereof;
FIG. 3 is a front elevational view thereof;
FIG. 4 is a rear elevational view thereof;
FIG. 5 is a left side elevational view thereof;
FIG. 6 is a right side elevational view thereof;
FIG. 7 is a top plan view thereof;
FIG. 8 is a bottom plan view thereof; and,
FIG. 9 is an exploded perspective view of the toilet brush with holder.

The broken lines in the drawings depict portions of the toilet brush with holder that form no part of the claimed design.

1 Claim, 9 Drawing Sheets



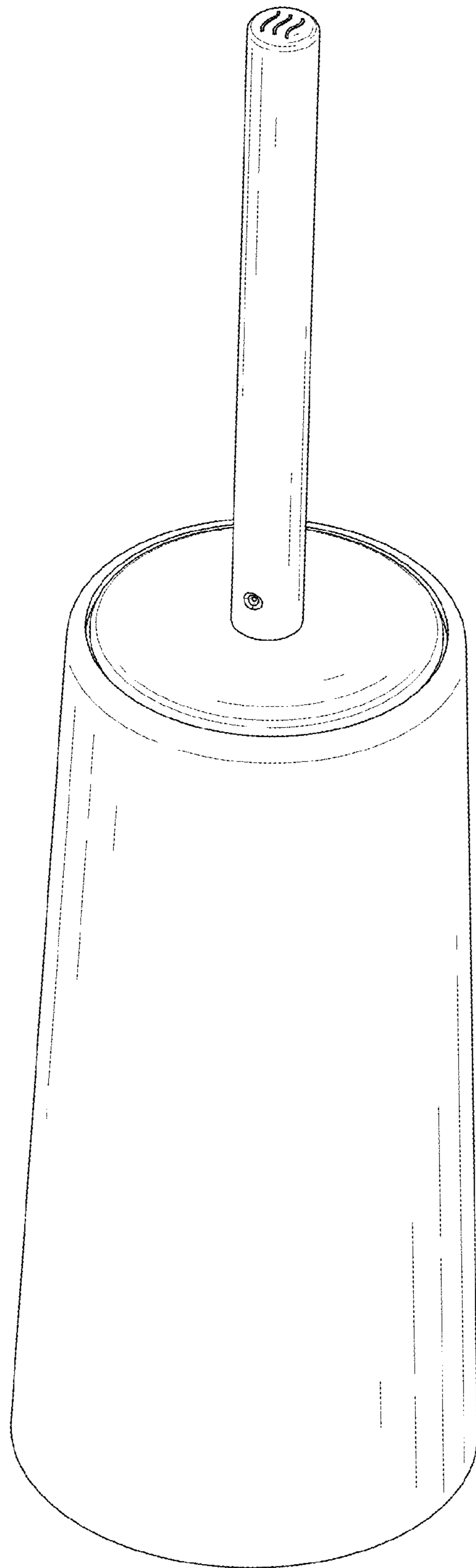


FIG. 1

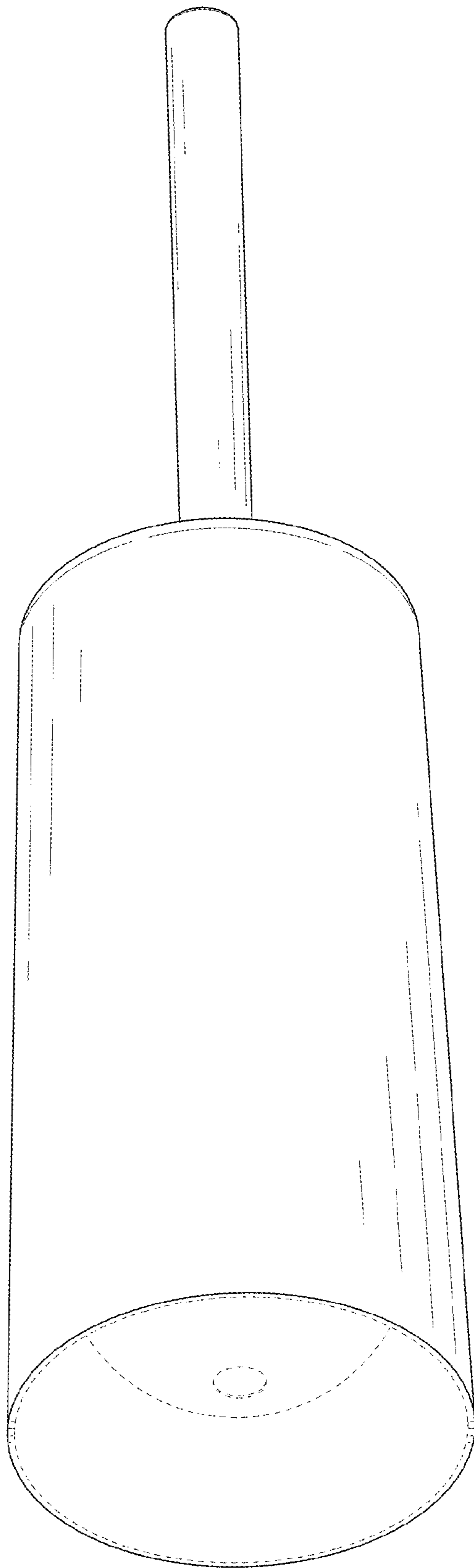


FIG. 2

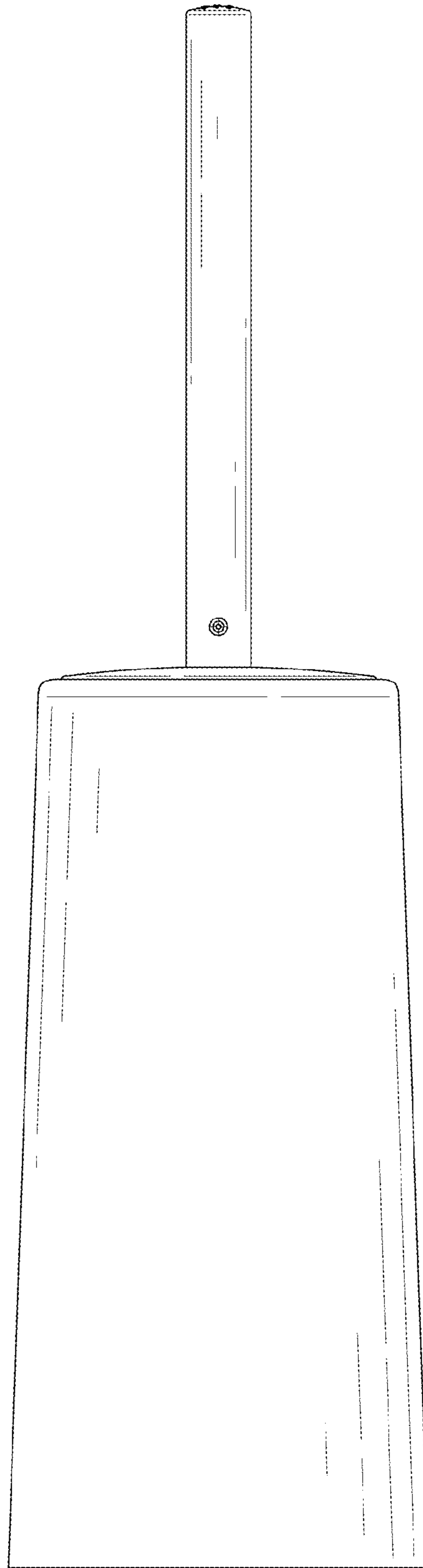


FIG. 3

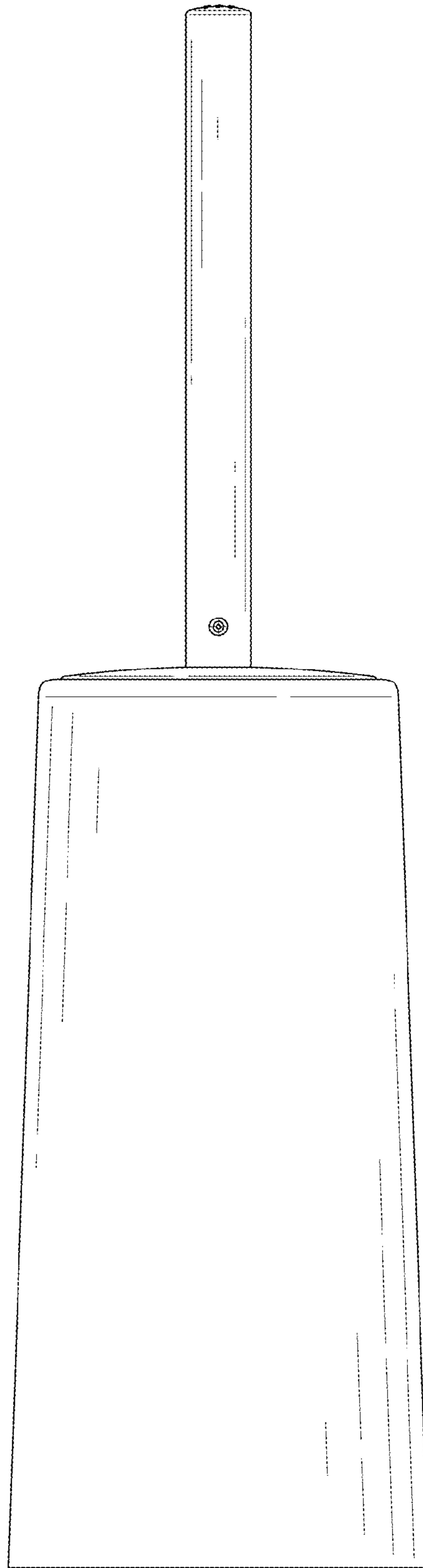


FIG. 4

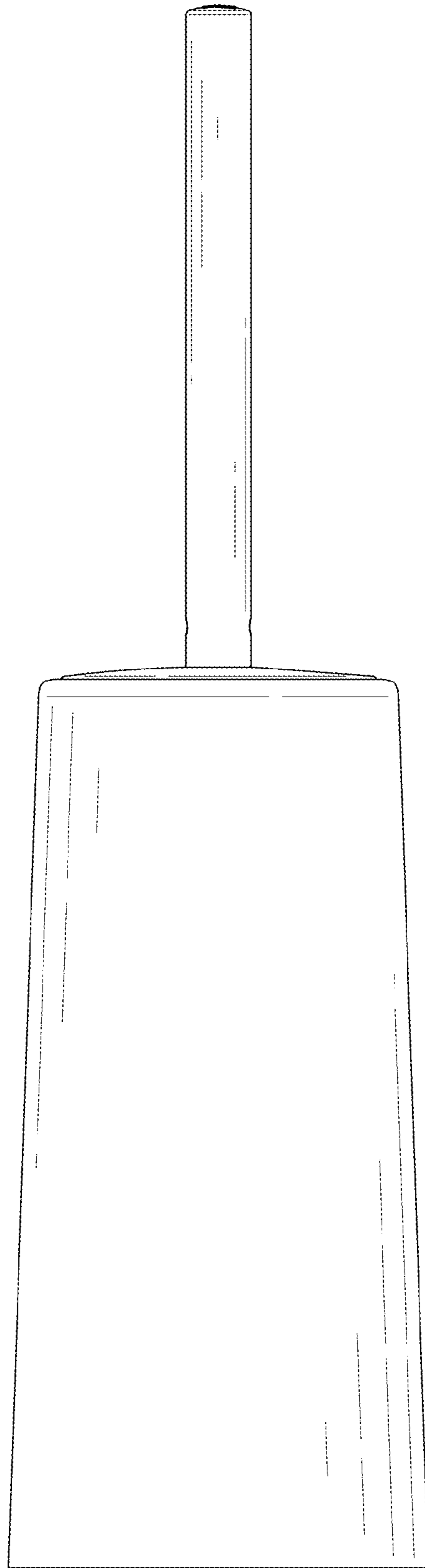


FIG. 5

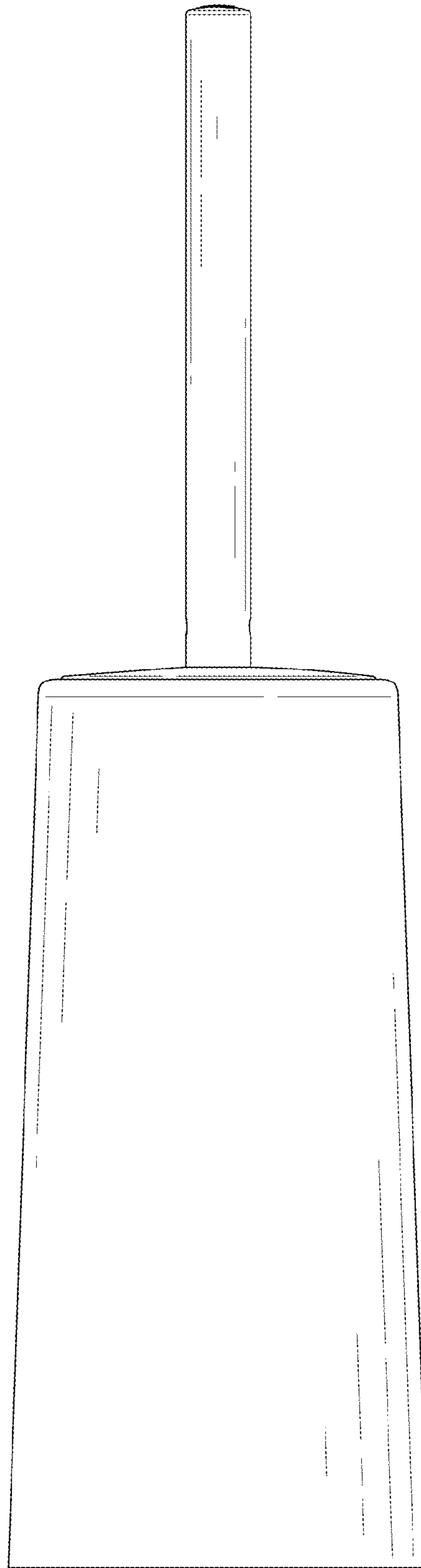


FIG. 6

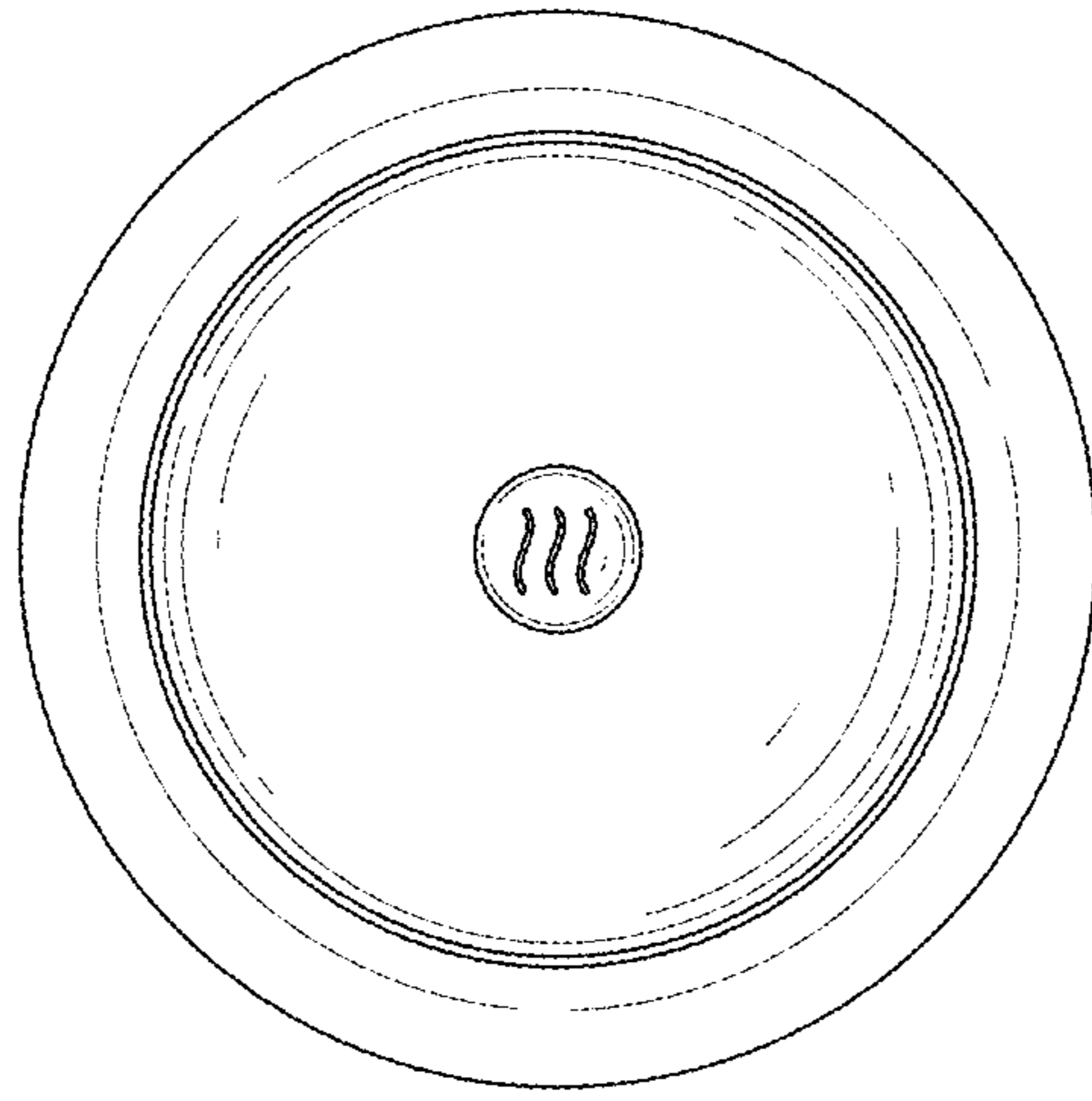


FIG. 7

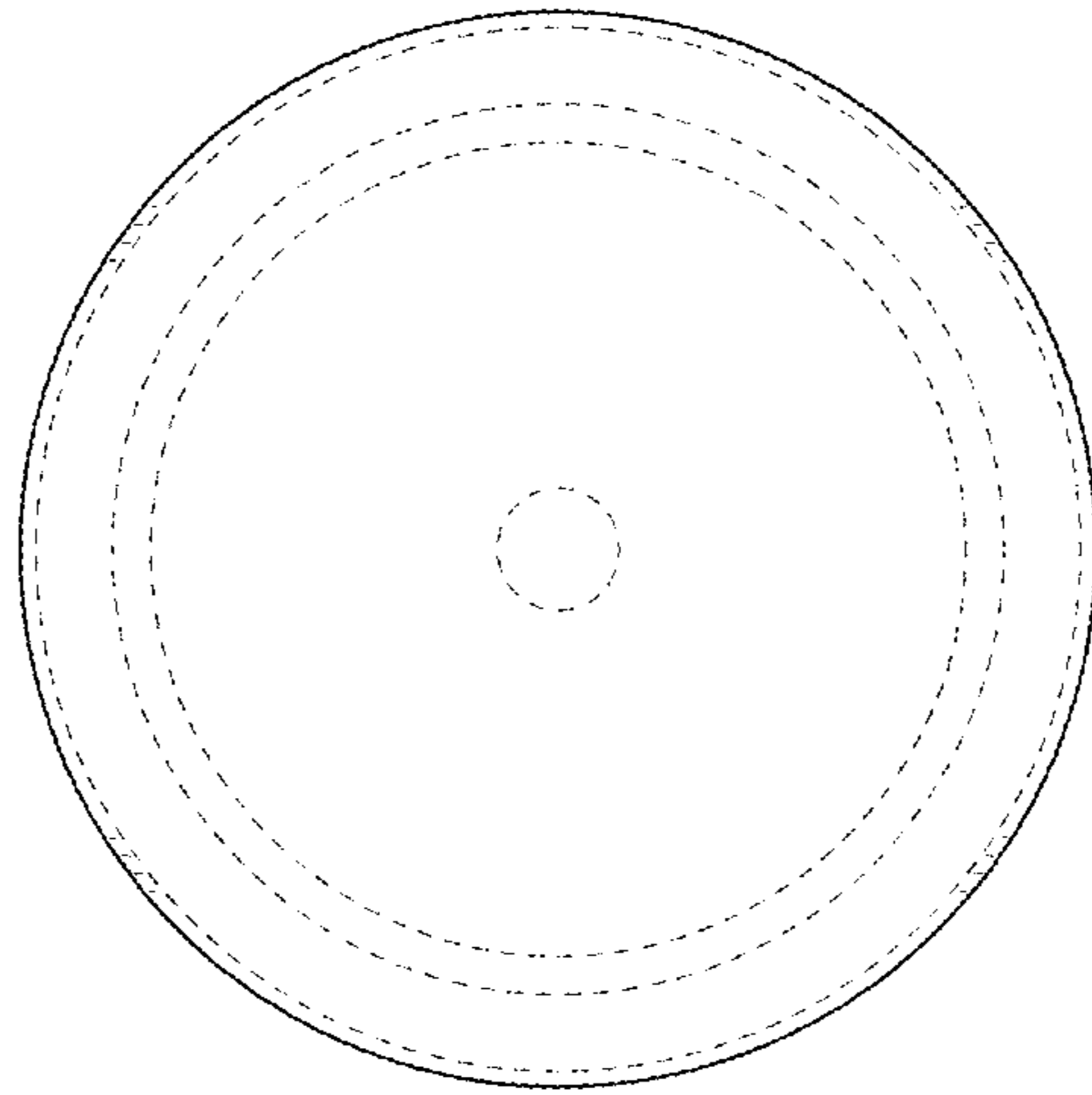


FIG. 8

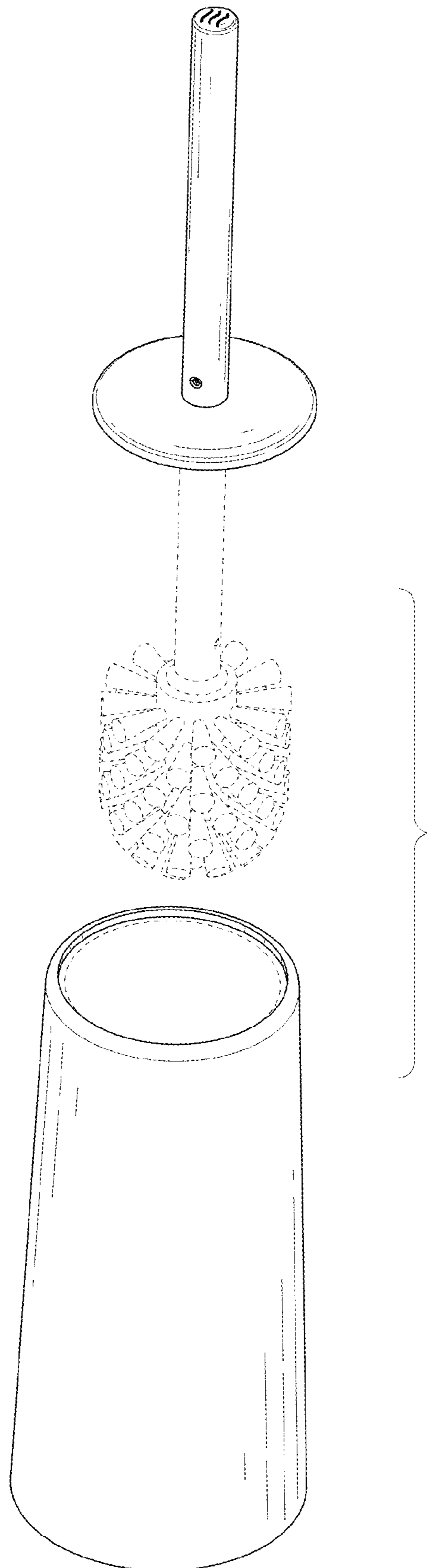


FIG. 9