



US00D949593S

(12) **United States Design Patent** (10) **Patent No.:** **US D949,593 S**  
**Léveillé et al.** (45) **Date of Patent:** **\*\* Apr. 26, 2022**

(54) **DISPENSER**

FOREIGN PATENT DOCUMENTS

(71) Applicant: **CASCADES CANADA ULC**, Kingsey Falls (CA)

CA 2090778 A1 2/1994  
CA 2116671 C 10/1995

(Continued)

(72) Inventors: **Manuel Léveillé**, Montreal (CA); **Olivier Patry**, Montreal (CA); **Nathalie Comeau**, Candiac (CA)

OTHER PUBLICATIONS

(73) Assignee: **CASCADES CANADA ULC**, Kingsey Falls (CA)

Youtube.com, Mechanical No-Touch Roll Towel Dispenser—Cascades PRO Tandem (C345), Mar. 10, 2019, <https://www.youtube.com/watch?v=ri1ux9r4-dC2> (Year: 2019).

(\*\*) Term: **15 Years**

*Primary Examiner* — Nathan M Johnston

(21) Appl. No.: **29/814,022**

(74) *Attorney, Agent, or Firm* — Marshall, Gerstein & Borun LLP

(22) Filed: **Nov. 2, 2021**

(57) **CLAIM**

**Related U.S. Application Data**

The ornamental design for a dispenser, as shown and described.

(62) Division of application No. 29/750,283, filed on Sep. 11, 2020, now Pat. No. Des. 938,752, which is a (Continued)

**DESCRIPTION**

(30) **Foreign Application Priority Data**

Feb. 23, 2018 (CA) ..... CA 179934

FIG. 1 is a perspective view of a dispenser;  
FIG. 2 is a front elevation view of the dispenser shown in FIG. 1;

(51) **LOC (13) Cl.** ..... **20-02**

FIG. 3 is a rear elevation view of the dispenser shown in FIG. 1;

(52) **U.S. Cl.**

USPC ..... **D6/518**; D6/522

FIG. 4 is a top plan view of the dispenser shown in FIG. 1;

(58) **Field of Classification Search**

USPC ..... D6/515–518, 542–545, 567, 574; 206/225, 233, 389, 391, 77.1; 211/13.1, (Continued)

FIG. 5 is a bottom plan view of the dispenser shown in FIG. 1;

FIG. 6 is left-side elevation view of the dispenser shown in FIG. 1; and,

FIG. 7 is right-side elevation view of the dispenser shown in FIG. 1.

(56) **References Cited**

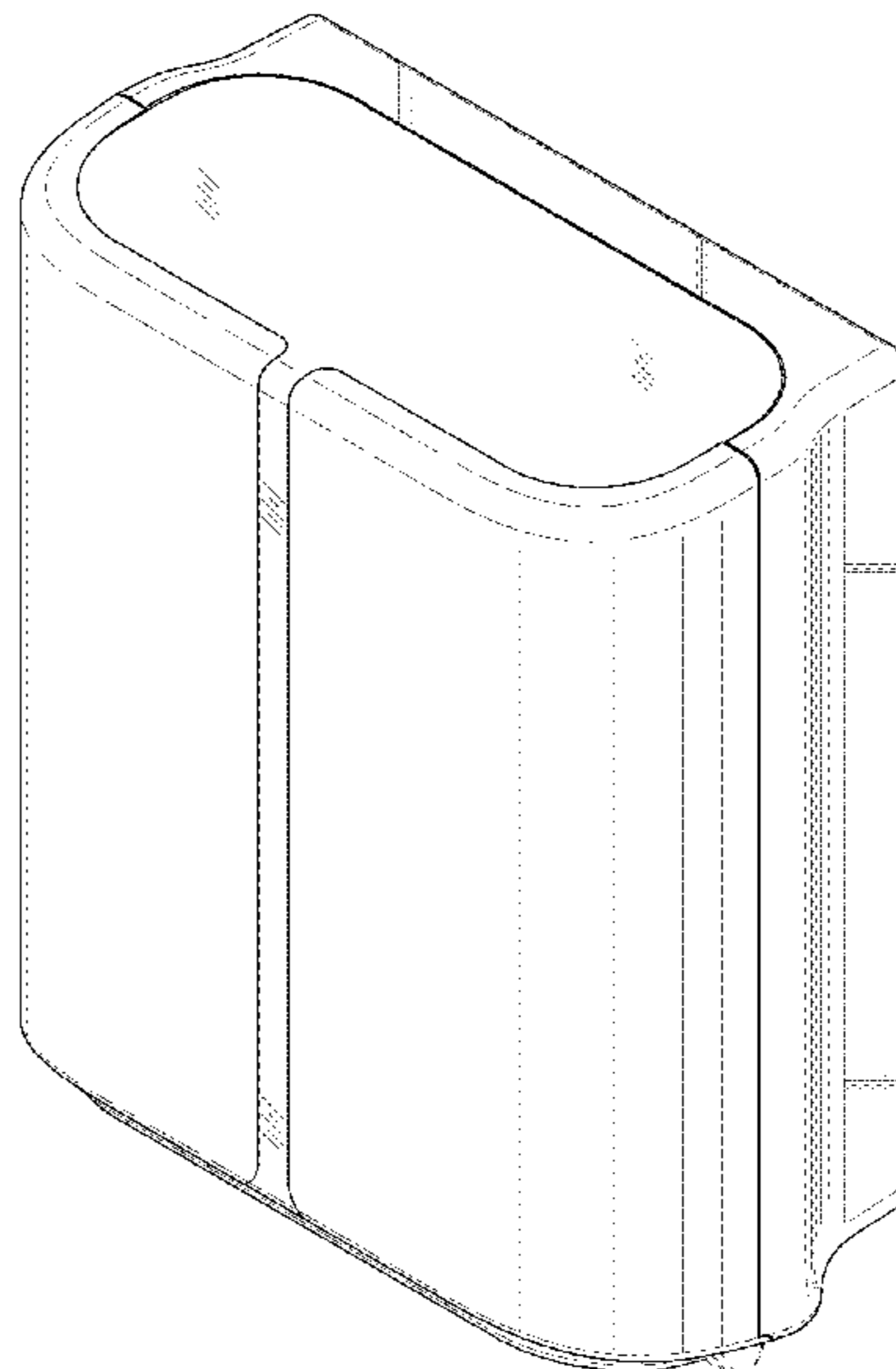
**U.S. PATENT DOCUMENTS**

1,246,932 A \* 11/1917 Jones ..... B65D 5/6697 229/125.08

The dashed lines immediately adjacent to the shaded areas in the figures represent the boundaries of the claimed design. The dashed lines in the figures illustrate the portions of the dispenser that form no part of the claimed design. None of the broken lines form any part of the claimed design.

2,198,176 A 4/1940 Perrin (Continued)

**1 Claim, 7 Drawing Sheets**



**Related U.S. Application Data**

division of application No. 29/647,684, filed on May 15, 2018, now Pat. No. Des. 899,132.

(58) **Field of Classification Search**

USPC ..... 211/173, 180, 45, 86.01, 87.02, 87.01;  
248/309.1, 309.2, 905; 242/570, 590;  
221/26.33, 282, 283, 14, 92, 105;  
222/173, 180, 281–282  
CPC ... A47K 10/40; A47K 10/38; A47K 2010/324  
See application file for complete search history.

(56) **References Cited**

U.S. PATENT DOCUMENTS

D141,980 S \* 8/1945 Holland ..... D3/274  
2,594,012 A \* 4/1952 Griffin ..... G01F 15/14  
220/323  
3,010,670 A 11/1961 Jones et al.  
3,101,181 A 8/1963 Clelland et al.  
3,184,176 A 5/1965 Tucker et al.  
3,211,504 A 10/1965 Bump  
3,329,366 A 7/1967 Batlas et al.  
3,361,504 A 1/1968 Maslow et al.  
3,437,388 A 4/1969 Jespersen  
3,484,052 A 12/1969 Clarke  
3,586,252 A 6/1971 Sutton  
3,620,466 A 11/1971 Bump  
3,677,485 A 7/1972 Berg  
3,690,580 A 9/1972 Jespersen  
3,770,222 A 11/1973 Jespersen  
3,948,454 A 4/1976 Bastian  
4,108,389 A 8/1978 Womack  
4,164,306 A 8/1979 Perrin  
4,205,802 A 6/1980 Economakis  
4,389,026 A 6/1983 Willa et al.  
4,410,221 A 10/1983 Vallis et al.  
4,422,584 A 12/1983 Dashnier et al.  
4,422,585 A 12/1983 Schultz et al.  
4,432,261 A 2/1984 DeLuca  
4,607,809 A 8/1986 Sineni et al.  
4,747,365 A 5/1988 Tusch  
D301,771 S \* 6/1989 Bakic ..... D28/76  
4,872,601 A 10/1989 Sigmund  
5,172,840 A 12/1992 Bloch et al.  
5,265,816 A 11/1993 Collins  
5,271,574 A 12/1993 Formon et al.  
5,288,032 A 2/1994 Boone et al.  
5,310,129 A 5/1994 Whittington et al.  
D357,858 S \* 5/1995 Dikowitz ..... D9/422  
D359,408 S 6/1995 Frassanito  
5,449,127 A 9/1995 Davis  
5,495,997 A 3/1996 Moody  
5,628,474 A 5/1997 Krueger et al.  
5,645,244 A 7/1997 Moody  
5,669,576 A 9/1997 Moody  
5,690,299 A 11/1997 Perrin et al.  
5,762,286 A 6/1998 Schutz  
5,762,287 A 6/1998 Schutz  
5,813,624 A 9/1998 Grasso et al.  
5,833,169 A 11/1998 Morand  
5,868,342 A 2/1999 Moody et al.  
5,873,542 A 2/1999 Perrin et al.  
5,954,256 A 9/1999 Niada  
6,027,002 A 2/2000 Granger  
6,036,134 A 3/2000 Moody  
6,089,499 A 7/2000 Robinson  
6,145,779 A 11/2000 Johnson et al.  
6,202,956 B1 3/2001 Grasso et al.  
D447,372 S 9/2001 Fisscher  
D447,373 S 9/2001 Fisscher  
D447,657 S 9/2001 Fisscher  
D447,897 S 9/2001 Fisscher  
D447,898 S 9/2001 Fisscher  
D448,222 S 9/2001 Fisscher  
6,296,331 B1 10/2001 Tramontina

6,328,255 B1 12/2001 Moody et al.  
6,364,245 B1 4/2002 Paal et al.  
6,382,553 B1 5/2002 Lewis et al.  
6,386,479 B1 5/2002 Lewis et al.  
6,508,432 B2 1/2003 Krivulin  
D472,398 S 4/2003 Sparkowski  
6,592,068 B2 7/2003 Taylor et al.  
D478,737 S 8/2003 Sparkowski  
6,679,409 B2 1/2004 Petterson  
6,752,349 B2 6/2004 Moody et al.  
6,766,976 B2 7/2004 Salåker et al.  
D504,041 S 4/2005 Dudley et al.  
7,014,140 B2 3/2006 Elliott et al.  
D522,781 S 6/2006 Wieser et al.  
D525,063 S 7/2006 Woods et al.  
7,083,138 B2 8/2006 Elliott et al.  
7,114,676 B2 10/2006 Elliott et al.  
D537,667 S 3/2007 van Haperen et al.  
7,185,841 B2 3/2007 Kaufmann  
D547,581 S 7/2007 Cittadino et al.  
D551,474 S 9/2007 Cittadino et al.  
D551,475 S 9/2007 Cittadino et al.  
D551,476 S 9/2007 Cittadino et al.  
D553,402 S 10/2007 Orgna et al.  
D553,407 S 10/2007 Orgna et al.  
D564,267 S 3/2008 Tomic et al.  
7,374,128 B2 5/2008 Hendrix et al.  
D572,058 S 7/2008 Cittadino et al.  
7,422,174 B2 9/2008 Elliott et al.  
7,461,810 B2 12/2008 Goeking et al.  
7,588,209 B2 9/2009 Demers  
7,648,097 B2 1/2010 Cattacin et al.  
D615,329 S 5/2010 Meyerhoffer  
D619,838 S 7/2010 Kim  
D620,290 S 7/2010 Herrera  
D623,452 S 9/2010 McNeely et al.  
7,841,558 B2 11/2010 Elliott et al.  
D630,941 S \* 1/2011 Paredes ..... D9/430  
7,861,964 B2 1/2011 Cittadino et al.  
7,866,593 B2 1/2011 Friesen et al.  
7,878,444 B2 2/2011 Friesen et al.  
7,913,945 B2 3/2011 Friesen et al.  
7,967,235 B2 6/2011 Forman et al.  
D653,888 S 2/2012 Velazquez et al.  
D654,740 S 2/2012 Cheng et al.  
D656,766 S 4/2012 Velazquez et al.  
D660,013 S 5/2012 Tardif et al.  
D666,035 S 8/2012 Velazquez et al.  
D667,640 S 9/2012 Bosse et al.  
8,256,644 B2 9/2012 Orgna  
D668,484 S 10/2012 Velazquez et al.  
D670,518 S 11/2012 Kluck  
D673,778 S 1/2013 Bosse et al.  
D674,633 S 1/2013 Green et al.  
D676,248 S 2/2013 Bosse et al.  
D677,085 S 3/2013 Velazquez et al.  
D681,987 S 5/2013 Cittadino et al.  
8,439,293 B2 5/2013 Hagleitner  
D686,845 S 7/2013 Brink et al.  
D687,653 S 8/2013 Giovannoni  
8,511,600 B2 8/2013 Formon et al.  
D688,895 S 9/2013 Sun Ting Kung et al.  
D695,542 S 12/2013 Niada  
D703,463 S 4/2014 Giovannoni  
D707,551 S \* 6/2014 Westphal ..... D9/430  
D708,865 S 7/2014 Sun Ting Kung et al.  
D711,663 S 8/2014 Walters  
D715,576 S 10/2014 Hagleitner  
D726,443 S 4/2015 Giovannoni  
D726,444 S 4/2015 Giovannoni  
D727,058 S 4/2015 Morand  
D727,652 S 4/2015 Sun Ting Kung et al.  
D740,587 S 10/2015 Sun Ting Kung et al.  
9,192,268 B2 11/2015 Denis et al.  
9,241,601 B2 1/2016 Case et al.  
D748,408 S 2/2016 Toumazou et al.  
D754,453 S 4/2016 Mrvica  
D756,683 S 5/2016 Morand  
9,326,648 B2 5/2016 Trampolski



(56)

References Cited

U.S. PATENT DOCUMENTS

9,370,283 B2 6/2016 Fellhoelter  
 D761,585 S 7/2016 Roche et al.  
 D766,612 S 9/2016 Roche et al.  
 D767,297 S 9/2016 Madsen et al.  
 D773,834 S 12/2016 Croteau et al.  
 D775,849 S 1/2017 Brickl  
 D781,065 S 3/2017 Brownley et al.  
 D781,067 S 3/2017 Cross et al.  
 D782,830 S 4/2017 Enderby  
 D782,842 S 4/2017 Morand et al.  
 9,648,995 B2 5/2017 Elliott et al.  
 D790,227 S 6/2017 Tambellini  
 D790,873 S 7/2017 Ku et al.  
 D791,498 S 7/2017 Brickl  
 D793,117 S 8/2017 Hagleitner  
 D794,341 S 8/2017 Enderby  
 D796,223 S 9/2017 Madsen  
 D796,866 S 9/2017 Johnson  
 D796,867 S 9/2017 Johnson  
 D796,868 S 9/2017 Johnson  
 D798,080 S 9/2017 Duncan et al.  
 D798,629 S 10/2017 Sinclair et al.  
 D799,235 S 10/2017 Madsen  
 D799,236 S 10/2017 Madsen  
 D799,692 S 10/2017 Buning-Weddewer  
 D809,819 S 2/2018 Johnson  
 D810,460 S 2/2018 Blick  
 D811,120 S 2/2018 Johnson  
 D811,770 S 3/2018 Brownley et al.  
 D815,456 S 4/2018 Hagleitner  
 D824,188 S 7/2018 Wiles  
 D843,721 S \* 3/2019 Yuan ..... D3/274  
 D888,458 S 6/2020 Orban et al.  
 D896,876 S \* 9/2020 Crandall ..... D16/237  
 D899,132 S 10/2020 Leveille et al.  
 D899,807 S 10/2020 Leveille et al.  
 D900,471 S \* 11/2020 Jones ..... D3/294  
 D901,924 S \* 11/2020 Reilly ..... D6/522  
 D901,925 S 11/2020 Reilly et al.  
 D901,930 S 11/2020 Reilly et al.  
 D917,917 S 5/2021 Leveille et al.  
 D918,708 S \* 5/2021 Rittenburg ..... D9/414  
 D926,490 S 8/2021 Stang et al.  
 D927,217 S 8/2021 Holzmann et al.  
 D927,218 S 8/2021 Stang et al.  
 2002/0033405 A1 3/2002 Gergek  
 2002/0096595 A1 7/2002 Denton  
 2002/0130215 A1 9/2002 Krivulin  
 2004/0004151 A1 1/2004 Kapiloff et al.  
 2004/0004153 A1 1/2004 Kapiloff et al.  
 2004/0089762 A1 5/2004 Salaker et al.  
 2005/0167543 A1 8/2005 Elliott et al.  
 2005/0199692 A1 \* 9/2005 Nelson ..... B65D 5/3621  
 229/182.1  
 2006/0038054 A1 2/2006 Tramontina et al.  
 2006/0279020 A1 12/2006 Elliott et al.  
 2007/0205317 A1 9/2007 Miller  
 2007/0290092 A1 12/2007 Won  
 2008/0156926 A1 7/2008 Cattacin et al.  
 2008/0245922 A1 10/2008 Fellhoelter  
 2009/0065627 A1 3/2009 Goeking et al.  
 2009/0072072 A1 3/2009 Elliott et al.  
 2009/0266928 A1 10/2009 Friesen et al.  
 2009/0266929 A1 10/2009 Friesen et al.  
 2009/0266930 A1 10/2009 Friesen et al.  
 2010/0206979 A1 8/2010 Collins

2010/0243660 A1 9/2010 Manasas  
 2011/0215187 A1 9/2011 Owurowa  
 2012/0256036 A1 10/2012 Osborne  
 2013/0075416 A1 3/2013 Boyce  
 2013/0270978 A1 10/2013 Black  
 2014/0076916 A1 3/2014 Boyce  
 2014/0103133 A1 4/2014 Muderlak et al.  
 2015/0076277 A1 3/2015 Elliott et al.  
 2015/0157177 A1 6/2015 Carper et al.  
 2016/0227969 A1 8/2016 Morris  
 2016/0256018 A1 9/2016 Viessman et al.  
 2016/0367088 A1 12/2016 Allard et al.  
 2017/0112336 A1 4/2017 Ruthven et al.  
 2017/0188760 A1 7/2017 Henson et al.  
 2017/0215659 A1 8/2017 Jefferson  
 2017/0251890 A1 9/2017 Groover  
 2017/0290471 A1 10/2017 Borke et al.  
 2017/0290472 A1 10/2017 Borke et al.  
 2017/0290473 A1 10/2017 Borke et al.

FOREIGN PATENT DOCUMENTS

CA 2192057 A1 6/1998  
 CA 2239526 A1 6/1999  
 CA 2171066 C 8/1999  
 CA 2300036 A1 9/2000  
 CA 2190806 C 10/2000  
 CA 2383206 A1 3/2001  
 CA 2326872 A1 6/2001  
 CA 2340853 A1 9/2001  
 CA 2305110 A1 10/2001  
 CA 2199092 C 11/2001  
 CA 2359128 A1 4/2003  
 CA 2381648 A1 4/2003  
 CA 2414887 A1 6/2003  
 CA 2465343 A1 6/2003  
 CA 2430462 A1 1/2004  
 CA 2217841 C 6/2005  
 CA 2494802 A1 7/2005  
 CA 2495163 A1 7/2005  
 CA 2526662 A1 5/2006  
 CA 2622388 A1 3/2007  
 CA 2577225 A1 9/2007  
 CA 2615407 A1 6/2008  
 CA 2756903 A1 12/2011  
 CA 2929466 A1 5/2015  
 CA 2978227 A1 10/2016  
 WO WO-1993004965 A1 3/1993  
 WO WO-1997013440 A1 4/1997  
 WO WO-1998011811 A1 3/1998  
 WO WO-2002024044 A2 3/2002  
 WO WO-2002053004 A1 7/2002  
 WO WO-2002074148 A1 9/2002  
 WO WO-2003047410 A1 6/2003  
 WO WO-2006050748 A1 5/2006  
 WO WO-2007035139 A1 3/2007  
 WO WO-2008042963 A2 4/2008  
 WO WO-2009135235 A2 11/2009  
 WO WO-2011154625 A1 12/2011  
 WO WO-2014058362 A1 4/2014  
 WO WO-2014098672 A1 6/2014  
 WO WO-2014200624 A1 12/2014  
 WO WO-2015066644 A2 5/2015  
 WO WO-2016166157 A1 10/2016  
 WO WO-2017084689 A1 5/2017  
 WO WO-2017105464 A1 6/2017  
 WO WO-2017178605 A1 10/2017  
 WO WO-2017180476 A1 10/2017

\* cited by examiner

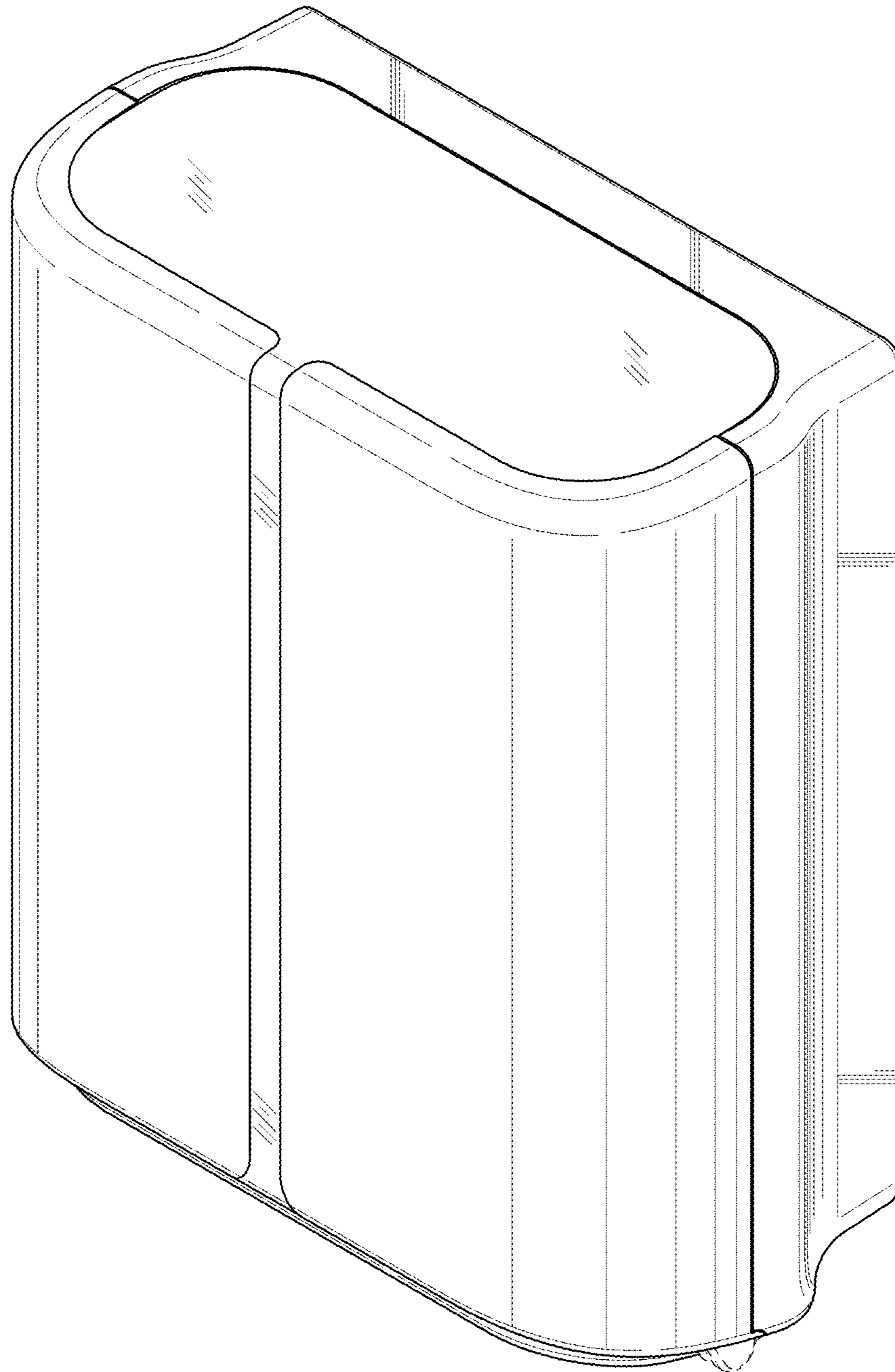


FIG. 1

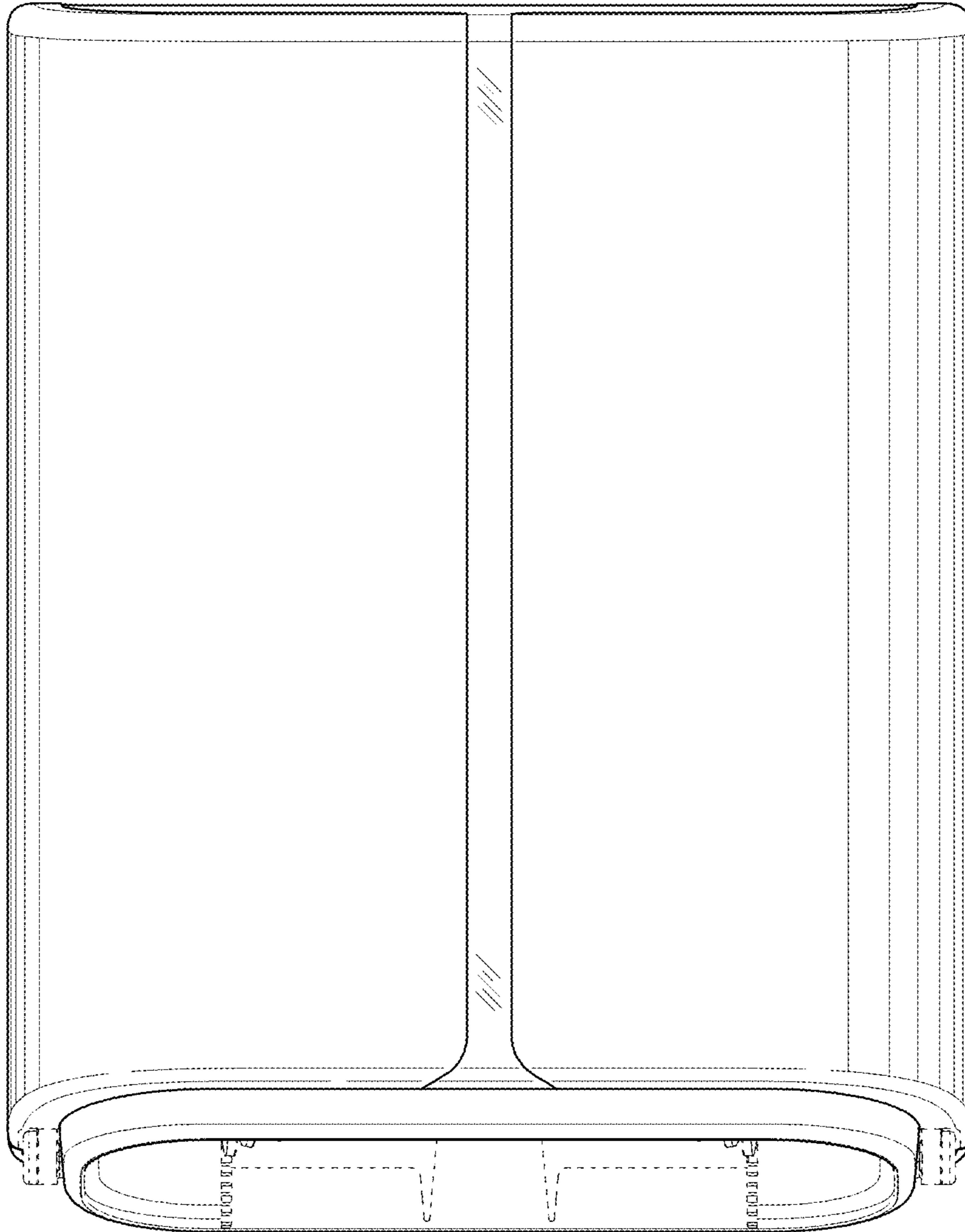


FIG. 2

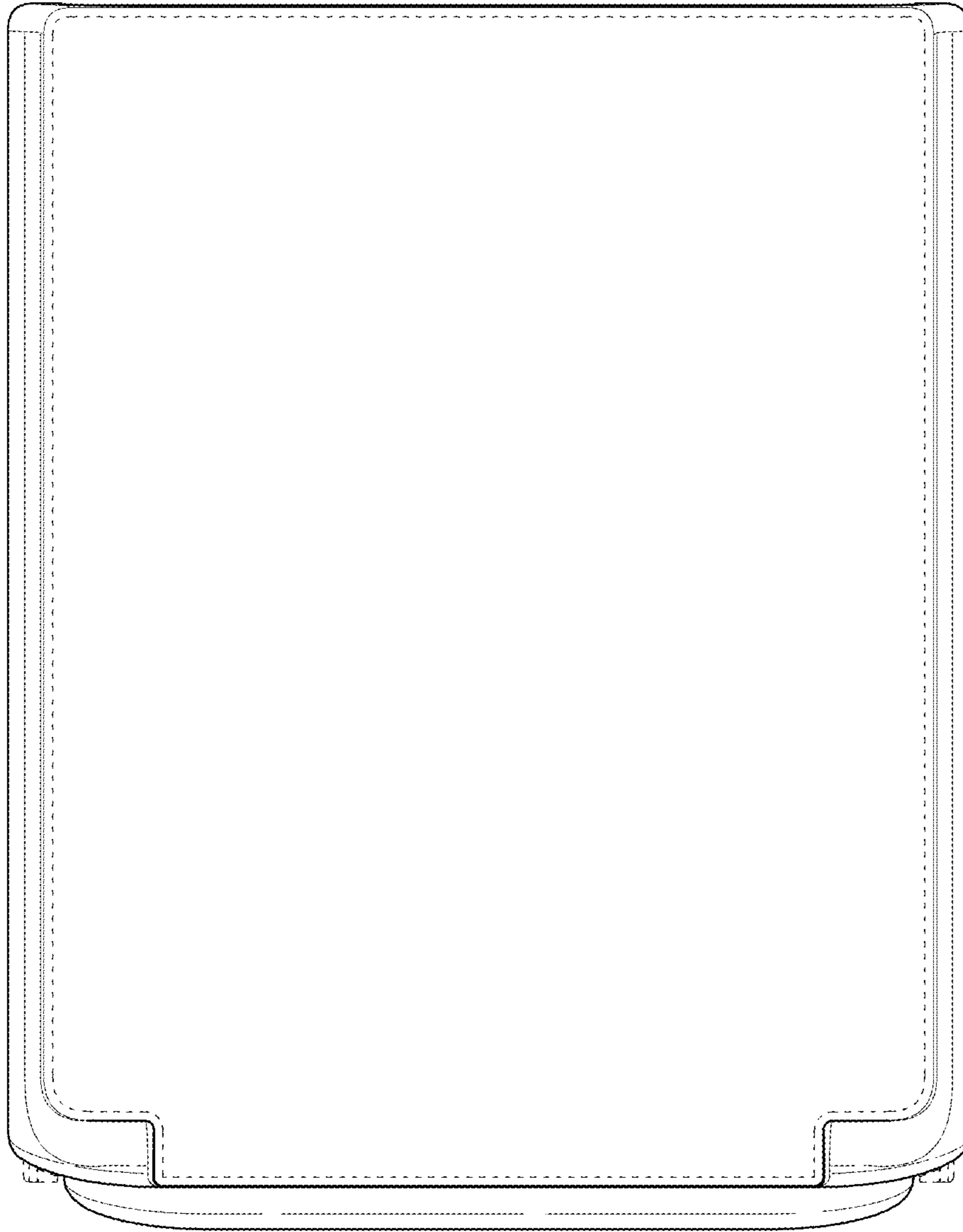


FIG. 3

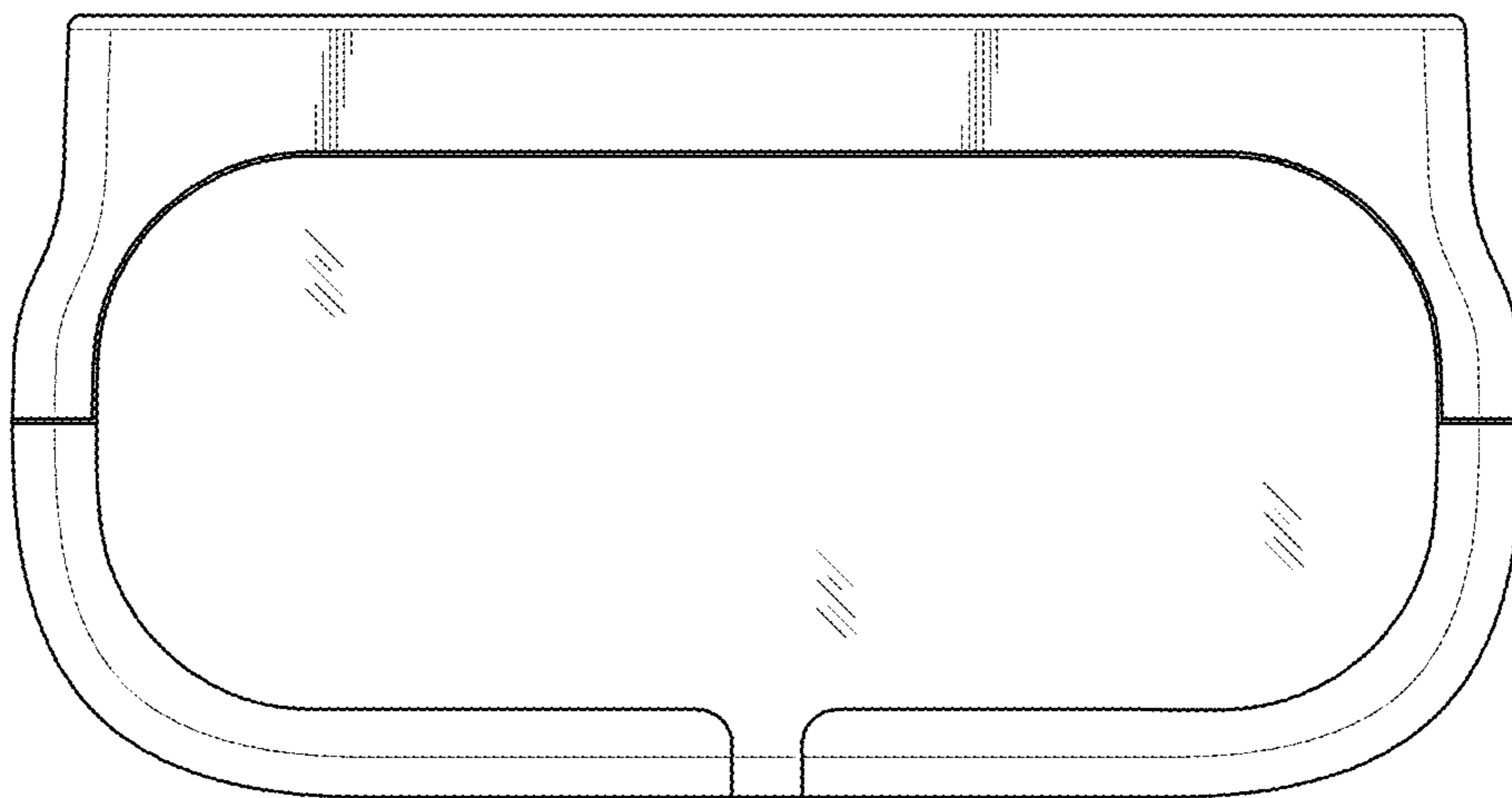


FIG. 4



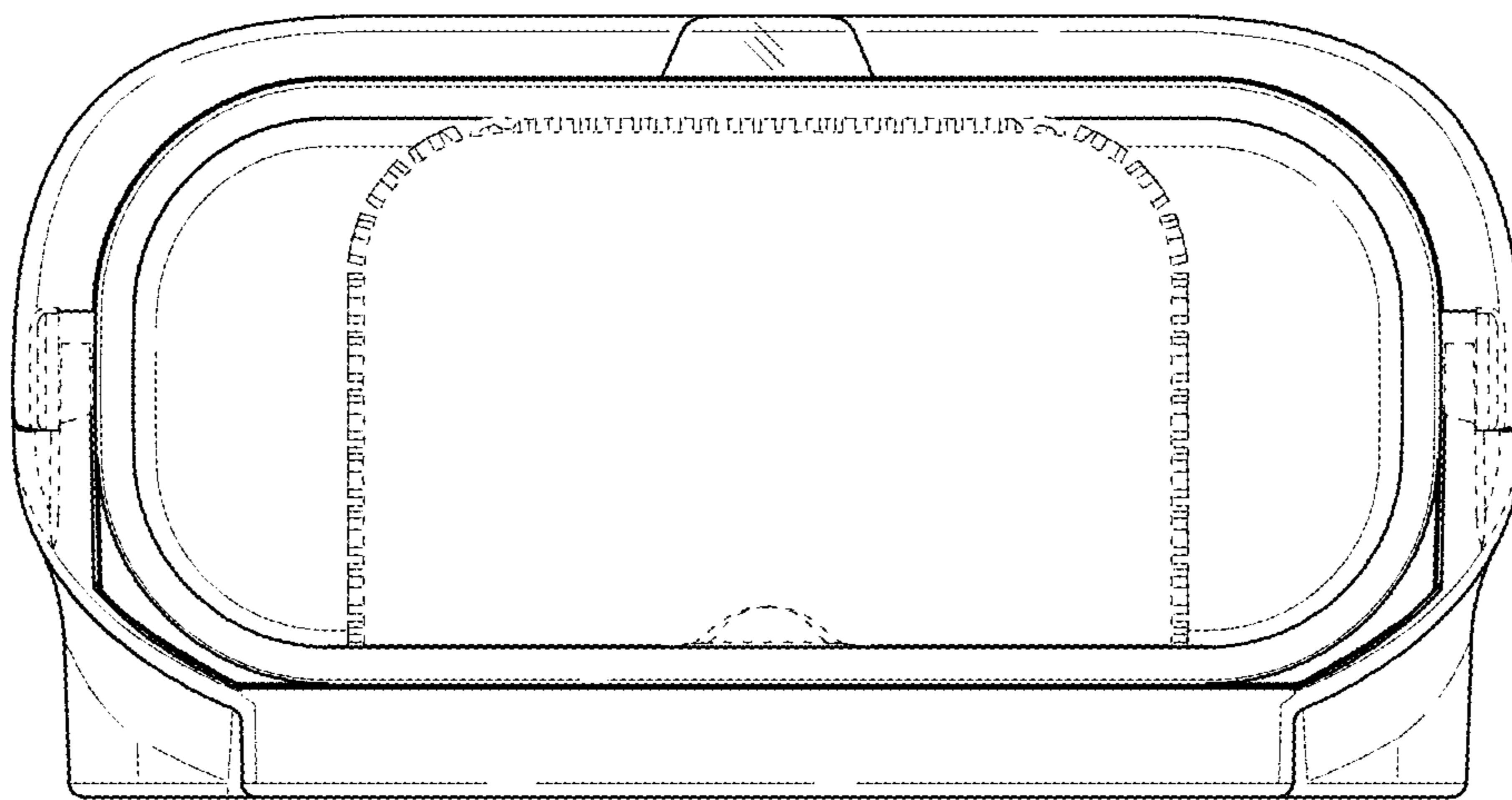


FIG. 5



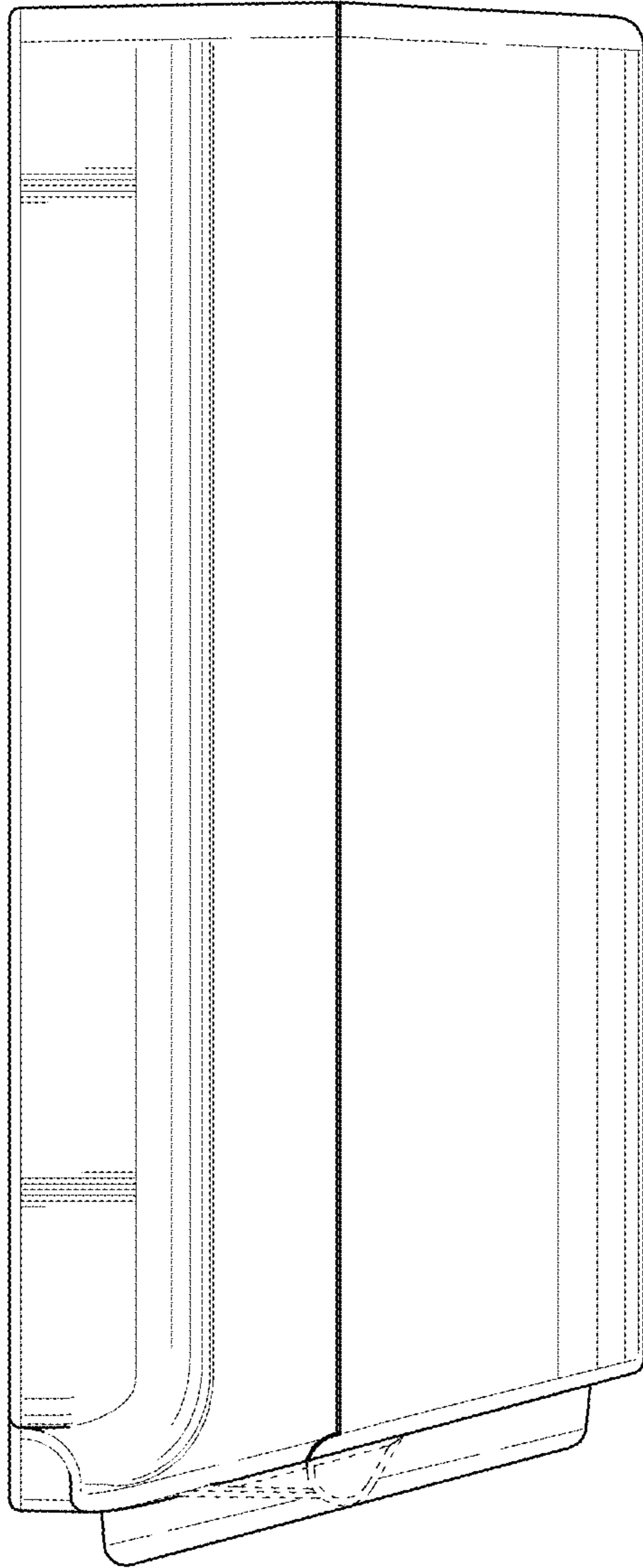


FIG. 6

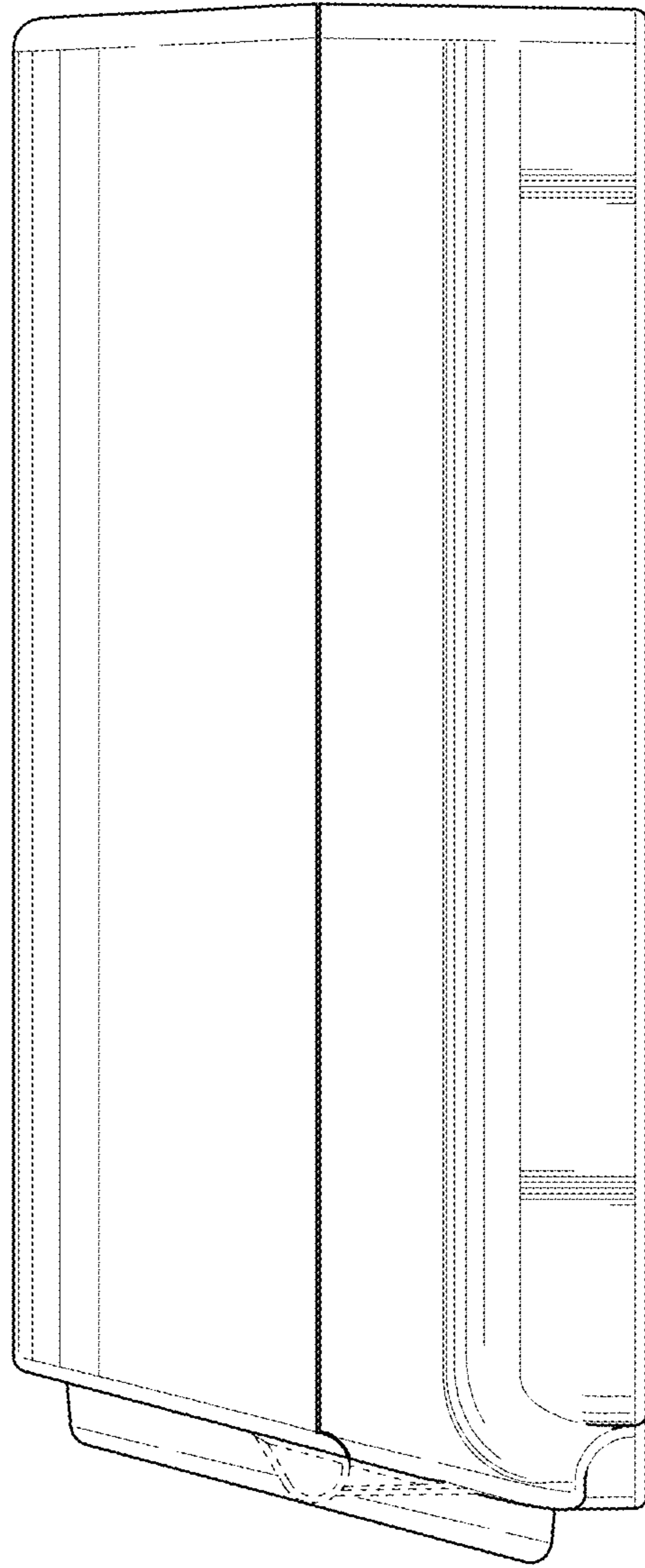


FIG. 7