



US00D949588S

(12) **United States Design Patent**
Wang et al.

(10) **Patent No.:** **US D949,588 S**
(45) **Date of Patent:** **** Apr. 26, 2022**

(54) **CHAIR**

(71) Applicant: **Henglin Home Furnishings Co., Ltd.**,
Zhejiang (CN)

(72) Inventors: **Jianglin Wang**, Zhejiang (CN); **Lei Liu**, Zhejiang (CN); **Xuan Wang**,
Zhejiang (CN)

(73) Assignee: **Henglin Home Furnishings Co., Ltd.**,
Zhejiang (CN)

(**) Term: **15 Years**

(21) Appl. No.: **29/752,426**

(22) Filed: **Sep. 27, 2020**

(51) **LOC (13) Cl.** **06-01**

(52) **U.S. Cl.**
USPC **D6/366**

(58) **Field of Classification Search**
USPC D6/356, 364, 365, 366, 367, 379, 716,
D6/716.4, 716.7, 360, 380; D21/521, 695
CPC A47C 1/03294; A47C 1/034; A47C 1/032;
A47C 1/031; A47C 1/023; A47C 3/029;
A47C 3/027; A47C 3/04; A47C 3/02;
A47C 3/12; A47C 4/03; A47C 4/04;
A47C 5/12; A47C 7/029; A47C 7/02;
A47C 7/18; A47C 7/28; A47C 7/32;
A47C 7/38; A47C 7/40; A47C 7/44;
A47C 7/46; A47C 7/54; A47C 7/425;
A47C 7/445; A47C 31/023; A47C 31/04;
B60R 2/0284; B60R 2/062; B60R 22/001;
B60R 22/24; B60R 22/28; B60R 22/58;
B60R 22/64; B60R 22/68; B60R 22/80;
B60R 22/99; B60R 22/245; B60R 22/643;
B60R 22/646; B60R 22/665; B60R
22/686; B60R 22/688; B60R 22/803;
B60R 22/986; B60R 22/914; B60R
22/995; F16B 2/08; F16B 45/00; Y10S
297/01; A47D 13/10

See application file for complete search history.

(56) **References Cited**

U.S. PATENT DOCUMENTS

D494,768 S *	8/2004	Su	D6/366
D563,687 S *	3/2008	Neil	D6/366
D566,410 S *	4/2008	Neil	D6/366
D597,330 S *	8/2009	Neil	D6/366
D640,477 S *	6/2011	Neil	D6/366
D689,314 S *	9/2013	Smith	D6/716
D696,886 S *	1/2014	Nakamura	D6/716.4
D701,068 S *	3/2014	Usumoto	D6/716

(Continued)

OTHER PUBLICATIONS

AccisPro office chair by ITO Design for Profim, Mar. 18, 2021,
dezeen.com, site visited Dec. 10, 2021, <<https://www.dezeen.com/2021/03/18/accispro-ito-design-flokk-profim-dezeen-showroom/>> (Year:
2021).*

Primary Examiner — Kevin K Rudzinski

Assistant Examiner — Paul D Bohannon

(74) *Attorney, Agent, or Firm* — JCIP Global Inc.

(57) **CLAIM**

The ornamental design for a chair, as shown and described.

DESCRIPTION

FIG. 1 is a perspective view of a chair showing our new design;

FIG. 2 is a front view thereof;

FIG. 3 is a rear view thereof;

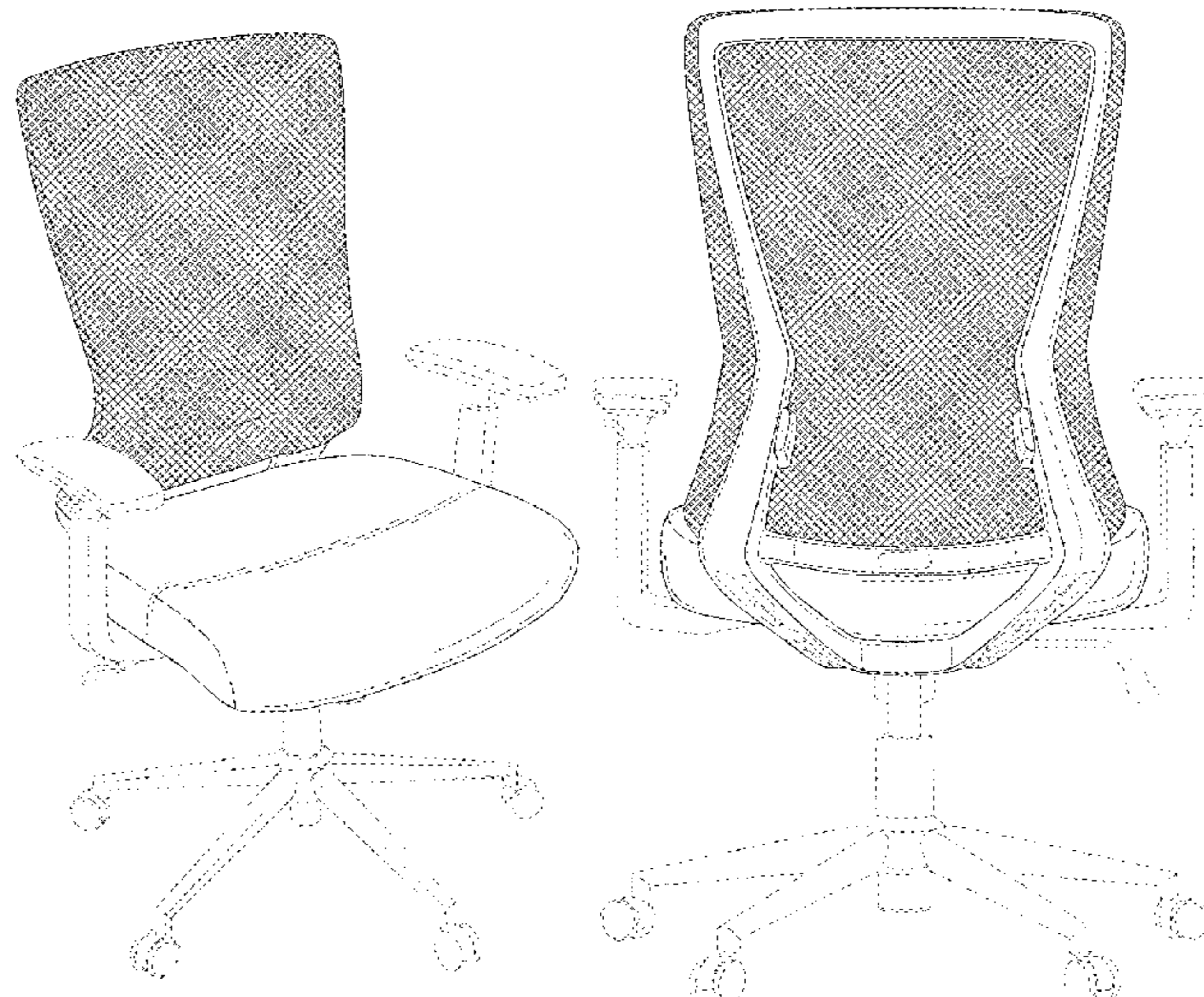
FIG. 4 is a left side view thereof;

FIG. 5 is a right side view thereof; and,

FIG. 6 is a top view thereof.

A bottom view thereof is omitted since it does not contain ornamental features. The heavy broken line showing of stitch lines in FIGS. 1-6 forms portions of the claimed design, while the light broken line showing of portions of the chair in FIGS. 1-6 forms no part of the claimed design.

1 Claim, 6 Drawing Sheets



(56)

References Cited

U.S. PATENT DOCUMENTS

D728,291	S	*	5/2015	Ooki	D6/716.4
D773,199	S	*	12/2016	Neil	D6/366
D900,496	S	*	11/2020	Shen	D6/366
D907,423	S	*	1/2021	Cross	D6/716.4
D924,594	S	*	7/2021	Zhong	D6/366
2002/0190564	A1	*	12/2002	Coffield	A47C 7/40 297/452.56

* cited by examiner

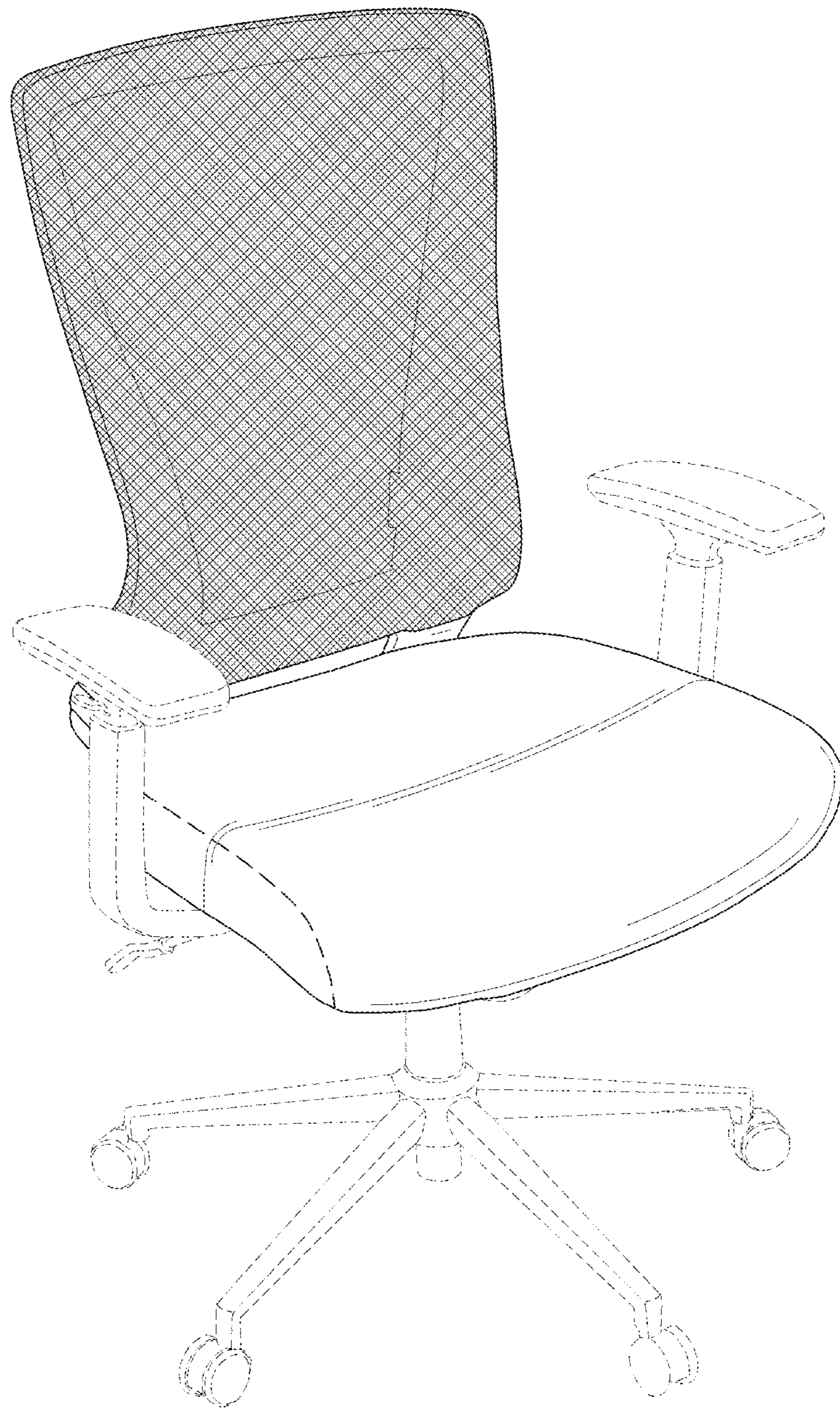


FIG. 1

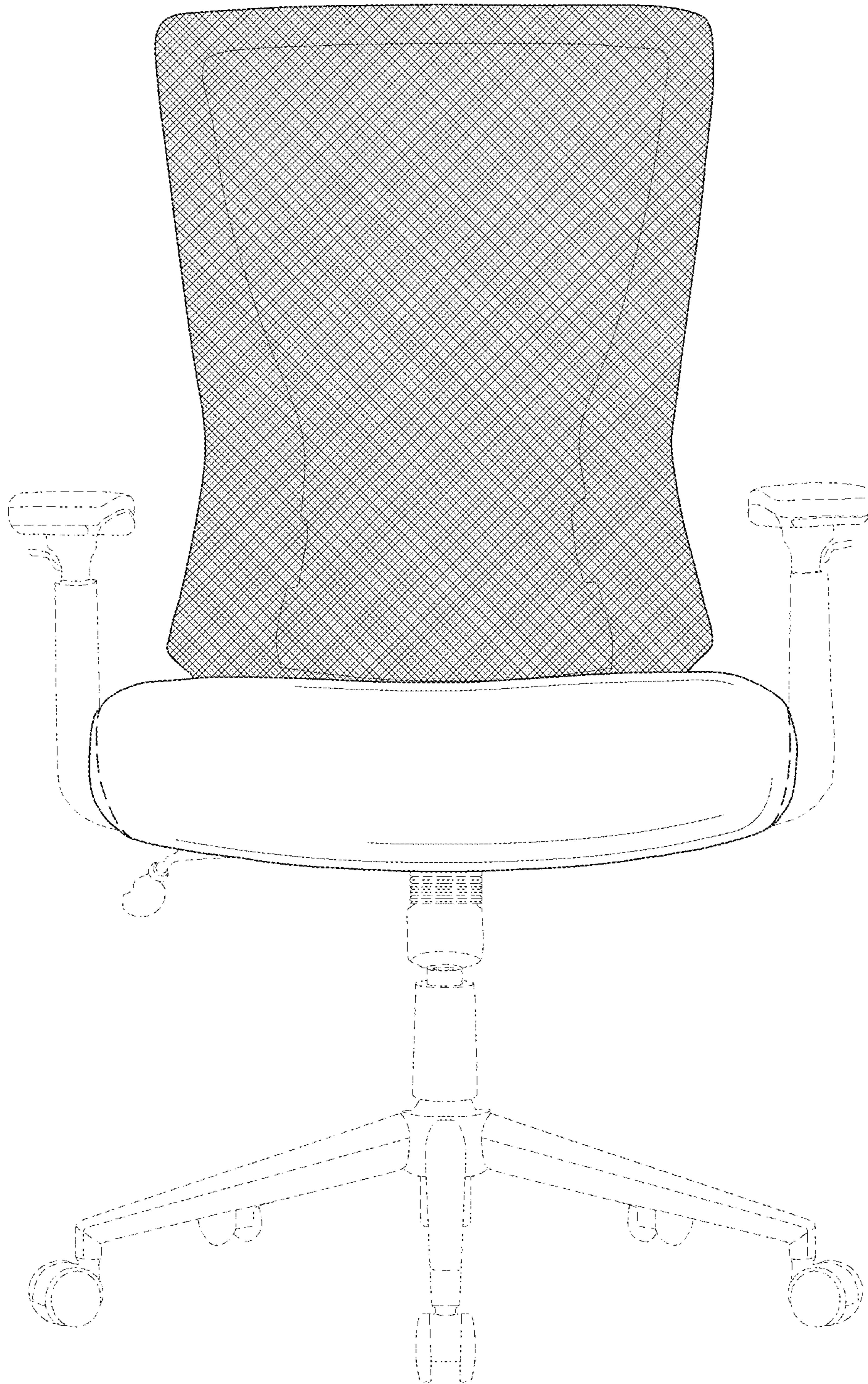


FIG. 2

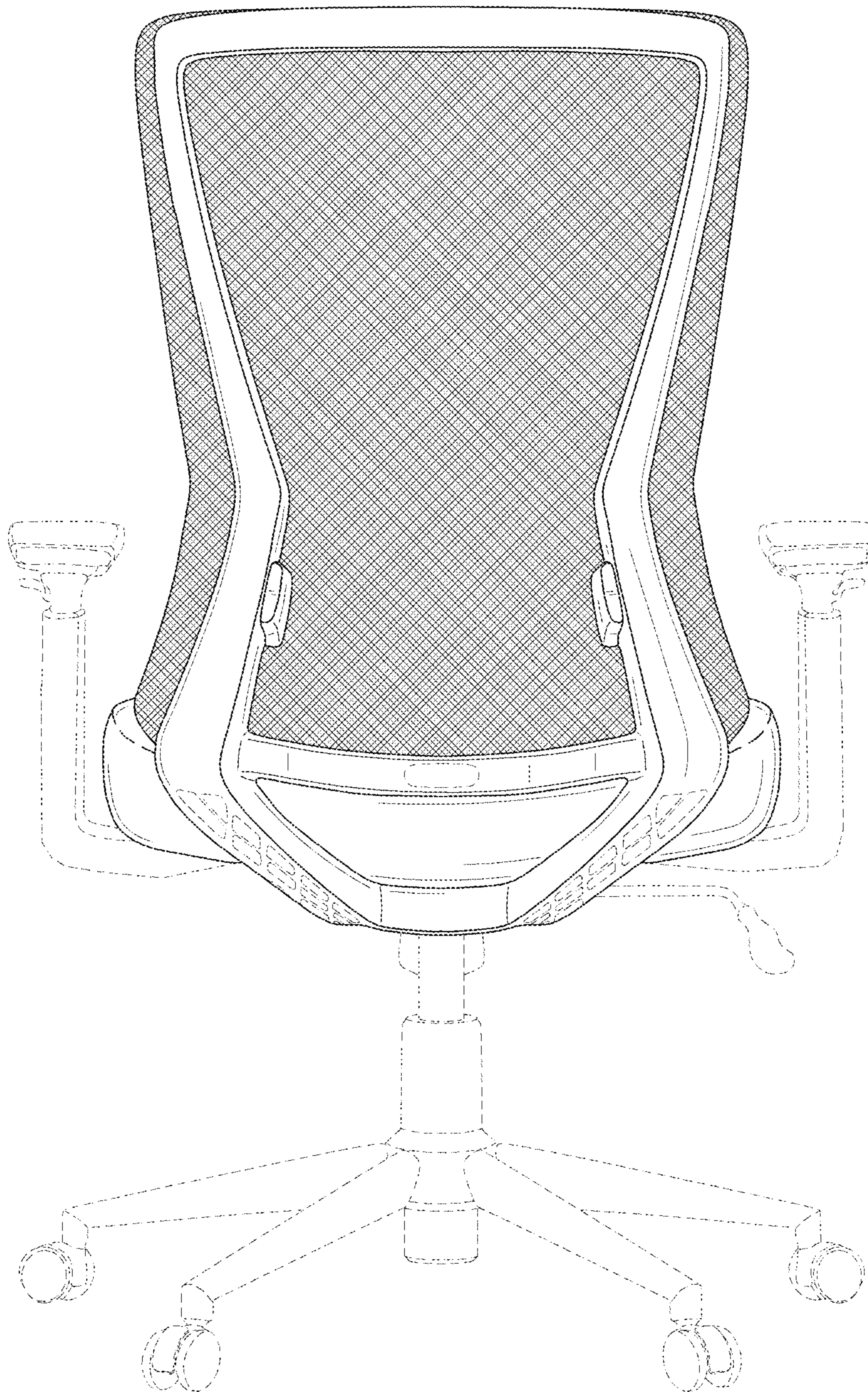


FIG. 3

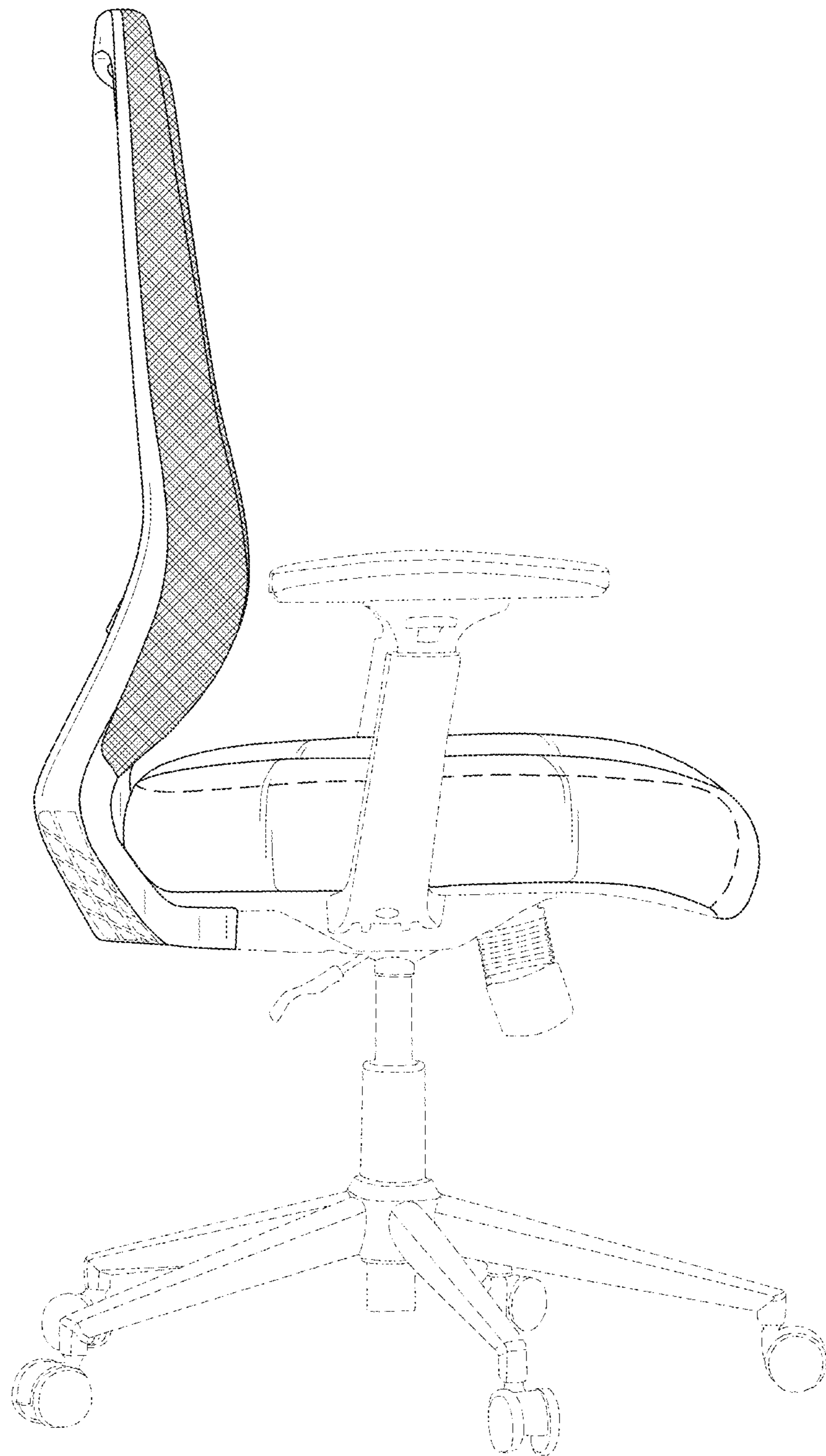


FIG. 4

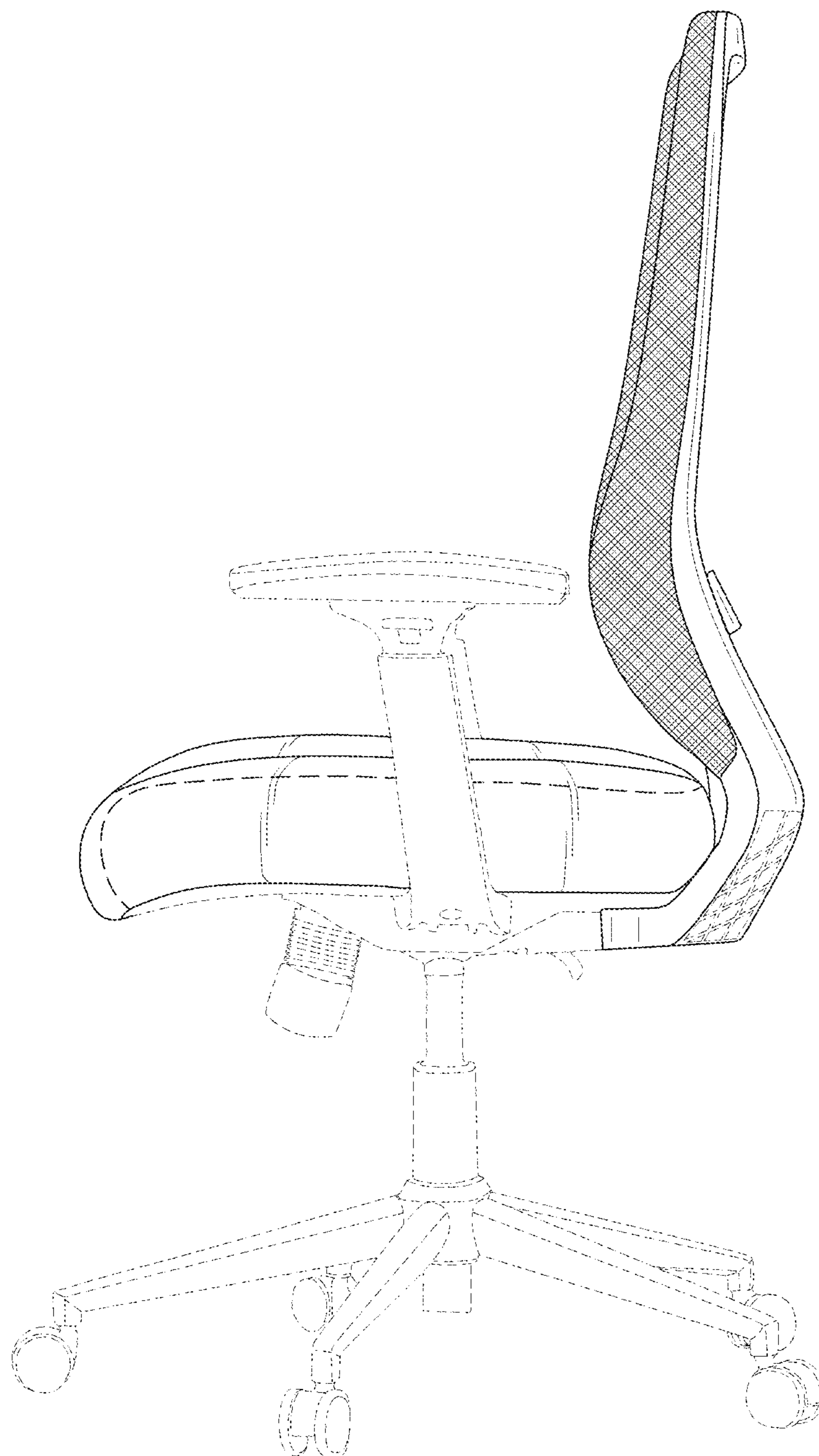


FIG. 5

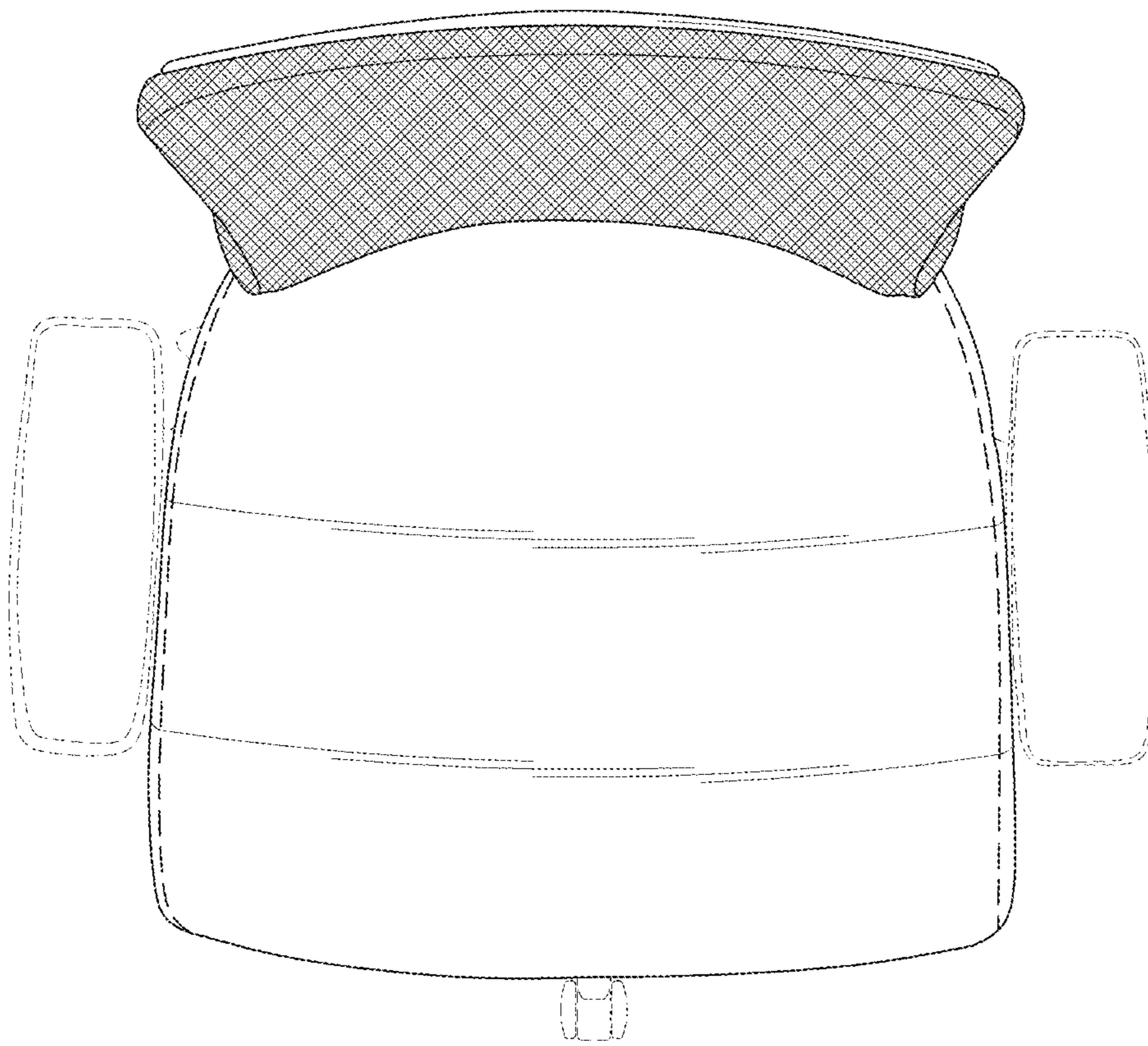


FIG. 6