

US00D949586S

(12) **United States Design Patent**
Cai et al.

(10) **Patent No.:** **US D949,586 S**

(45) **Date of Patent:** **** Apr. 26, 2022**

(54) **COMPUTER CHAIR**

(71) Applicant: **NINGBO YOURLITE IMPORT & EXPORT CO., LTD.**, Ningbo (CN)

(72) Inventors: **Xiaoyu Cai**, Ningbo (CN); **Jinbin Wang**, Ningbo (CN)

(73) Assignee: **NINGBO YOURLITE IMPORT & EXPORT CO., LTD.**, Ningbo (CN)

(**) Term: **15 Years**

(21) Appl. No.: **29/747,861**

(22) Filed: **Aug. 26, 2020**

(51) **LOC (13) Cl.** **06-01**

(52) **U.S. Cl.**
USPC **D6/366**

(58) **Field of Classification Search**
USPC D6/334, 366, 367, 372, 373, 374, 379,
D6/380, 716.1, 716.4
CPC A47C 1/02; A47C 1/022; A47C 1/024;
A47C 3/12; A47C 3/18; A47C 3/026;
A47C 7/18; A47C 7/36; A47C 7/40;
A47C 7/46

See application file for complete search history.

(56) **References Cited**

U.S. PATENT DOCUMENTS

D597,329 S * 8/2009 Tanaka D6/366
D654,710 S * 2/2012 Fujita D6/366
D662,331 S * 6/2012 Czumaj-Bront D6/366

D704,944 S * 5/2014 Koepke D6/366
D825,971 S * 8/2018 Scagnellato D6/716
D851,951 S * 6/2019 Wu D6/366
D852,524 S * 7/2019 Peterson D6/366
D852,525 S * 7/2019 Peterson D6/366
D883,690 S * 5/2020 Dassen D6/366
D937,592 S * 12/2021 Ni D6/366
D937,593 S * 12/2021 Ni D6/366
2014/0077542 A1 * 3/2014 Vander Veen A47C 1/03274
297/228.11

* cited by examiner

Primary Examiner — R. Johnson

(74) *Attorney, Agent, or Firm* — Bayramoglu Law Offices LLC

(57) **CLAIM**

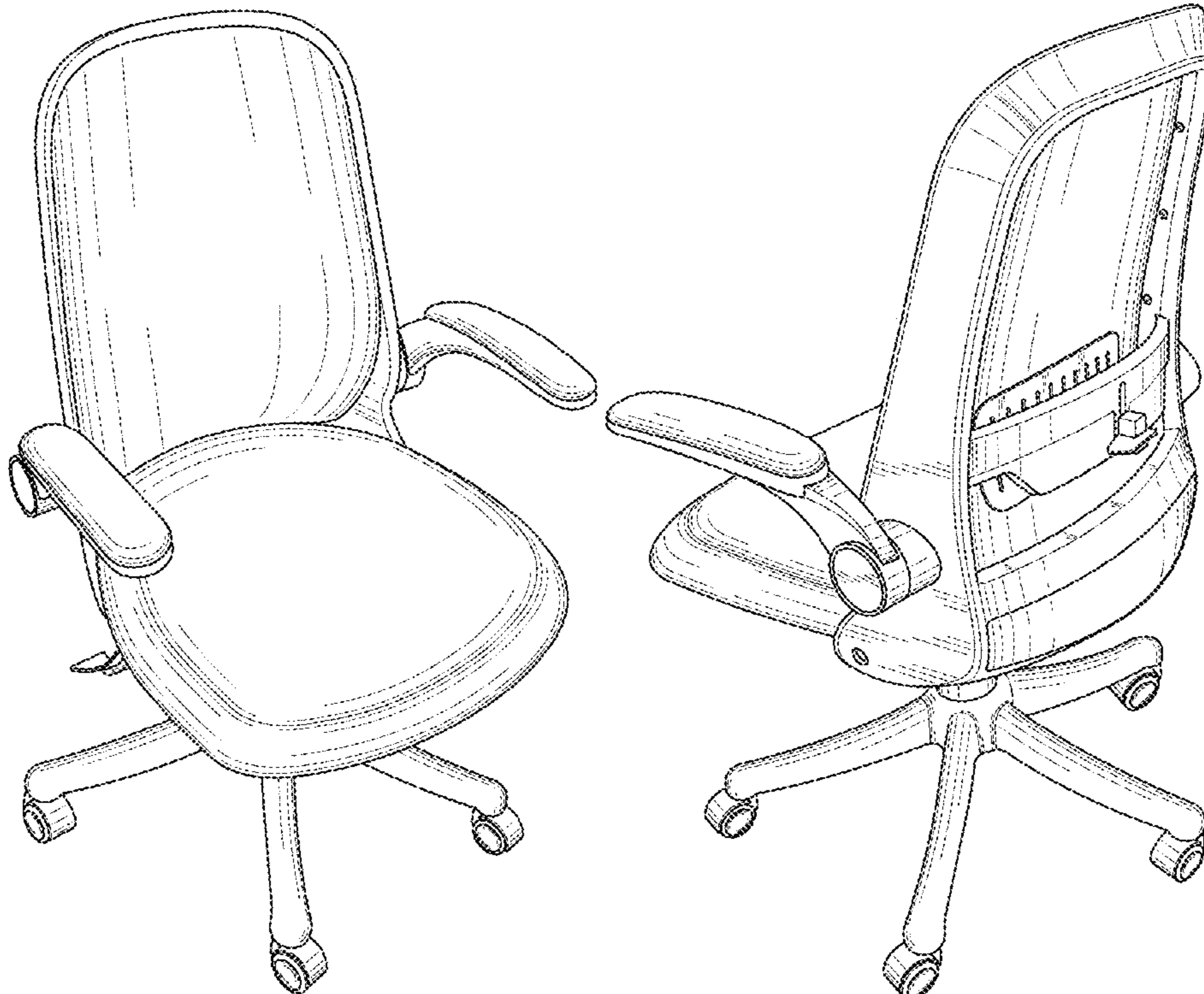
The ornamental design for a computer chair, as shown and described.

DESCRIPTION

FIG. 1 is a front perspective view of a computer chair showing our new design;
FIG. 2 is a front view thereof;
FIG. 3 is a rear view thereof;
FIG. 4 is a left side view thereof;
FIG. 5 is a right side view thereof;
FIG. 6 is a top view thereof; and,
FIG. 7 is a rear perspective view thereof.

A bottom view is omitted since it is not seen in normal use. The broken lines shown in the drawings are for the purpose of illustrating portions of the computer chair that form no part of the claimed design.

1 Claim, 7 Drawing Sheets



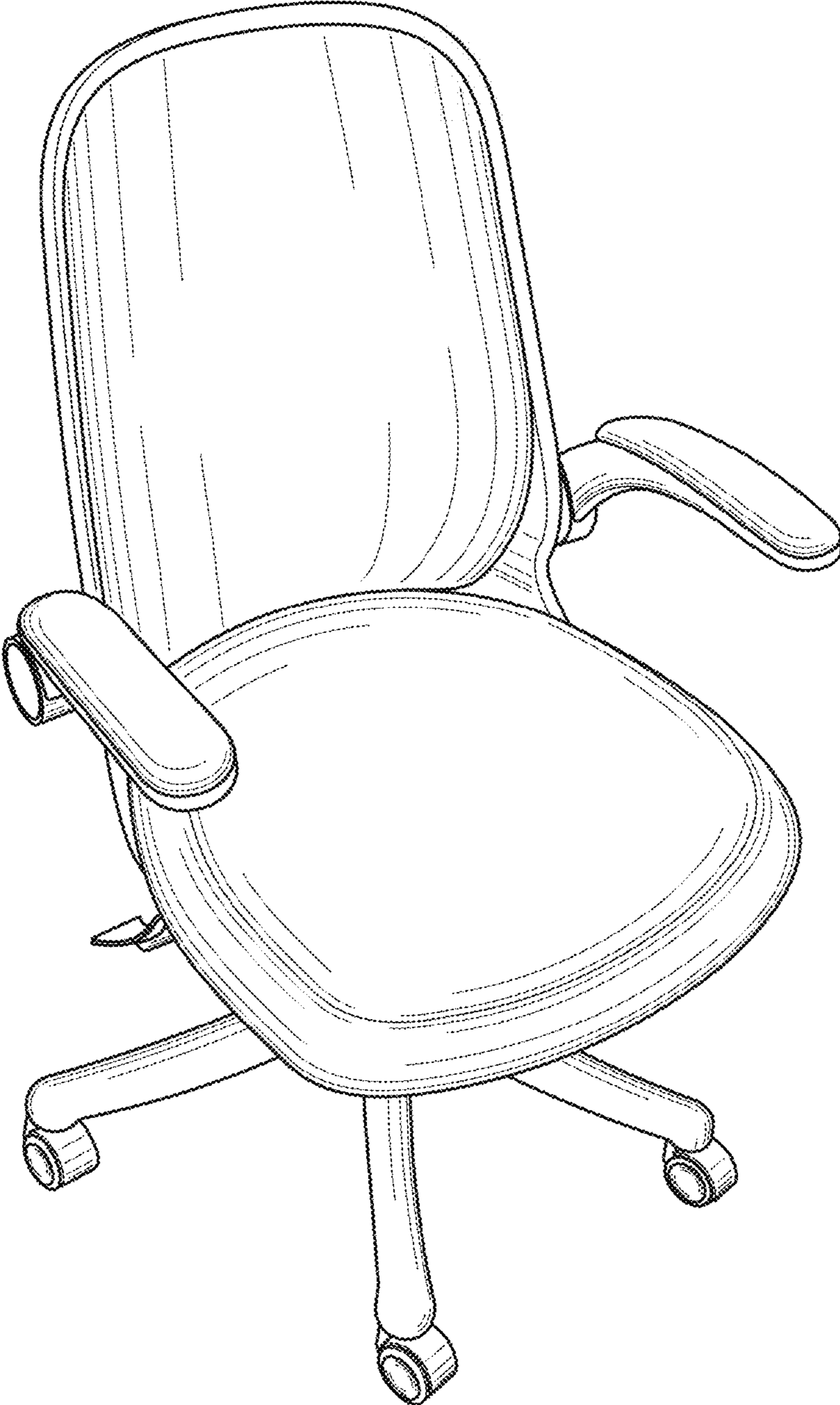


FIG. 1

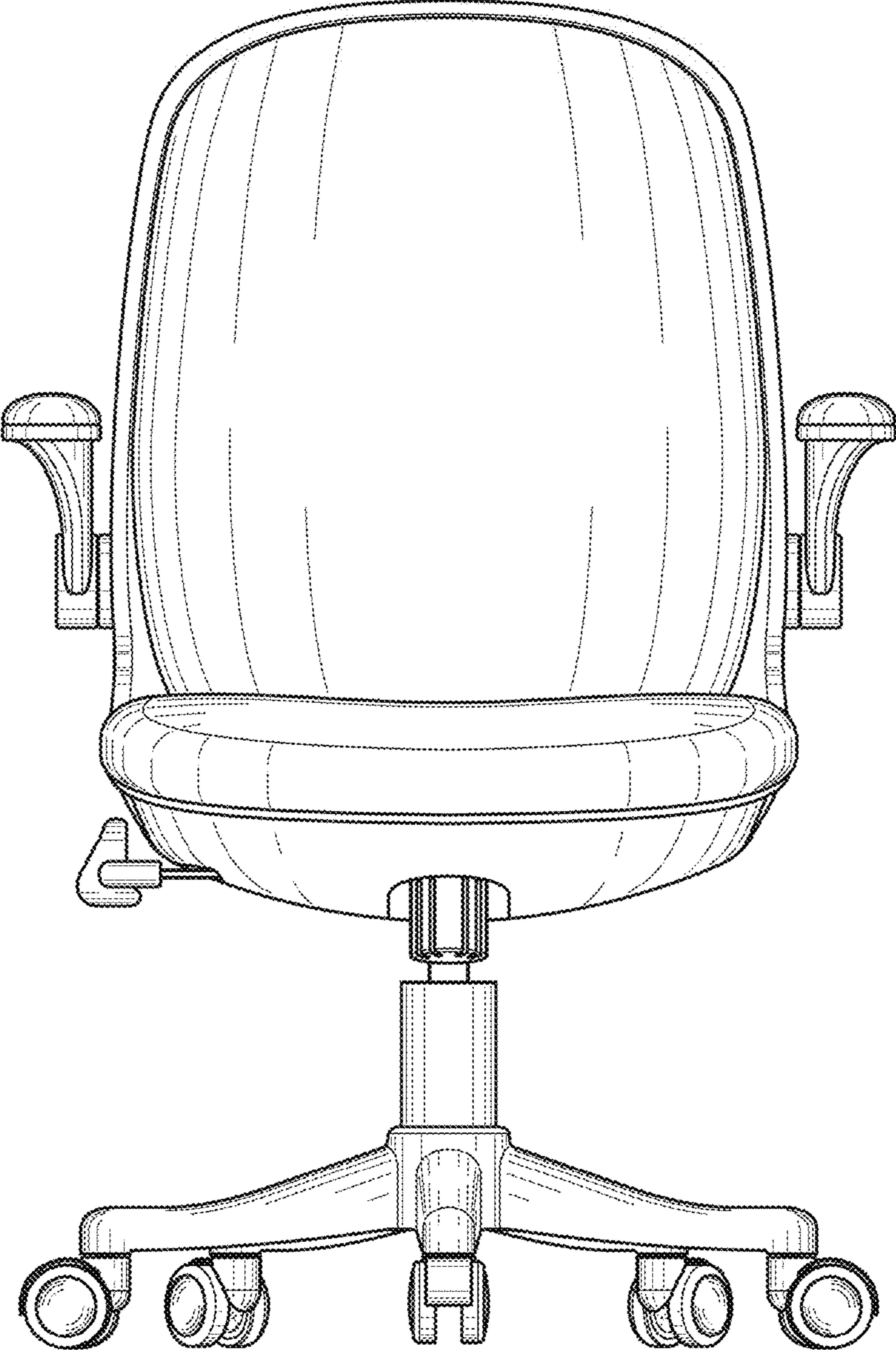


FIG. 2

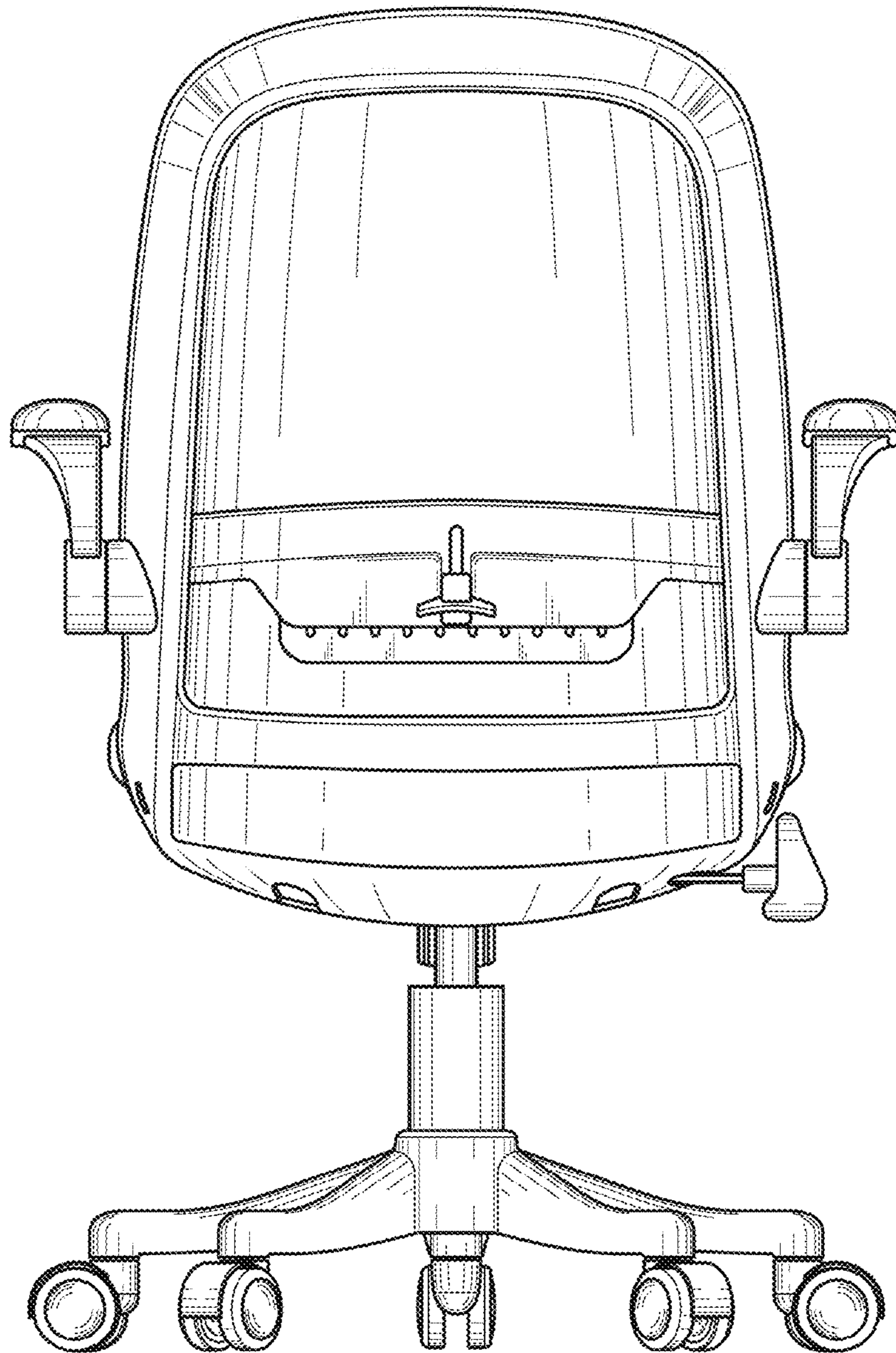


FIG. 3

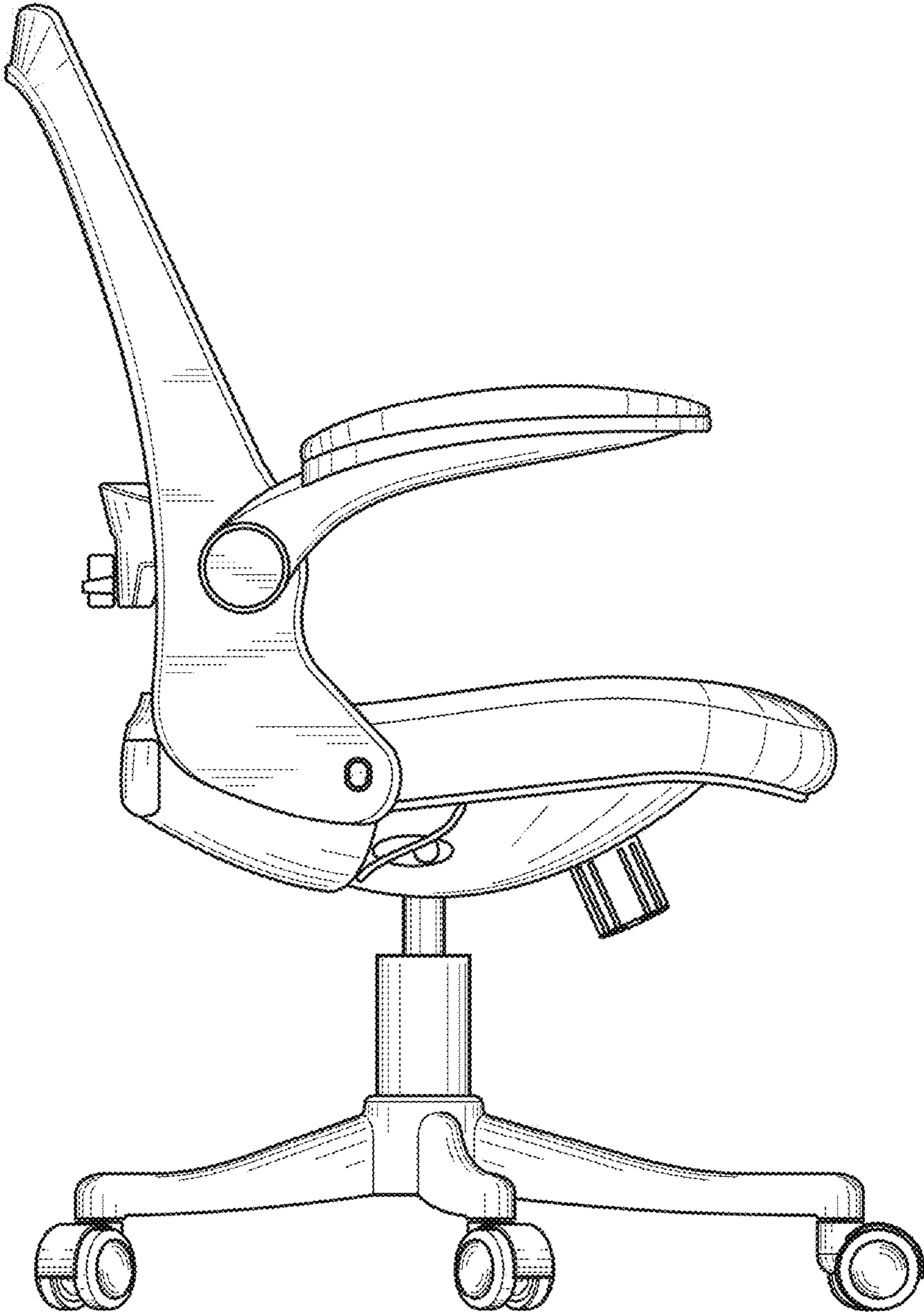


FIG. 4

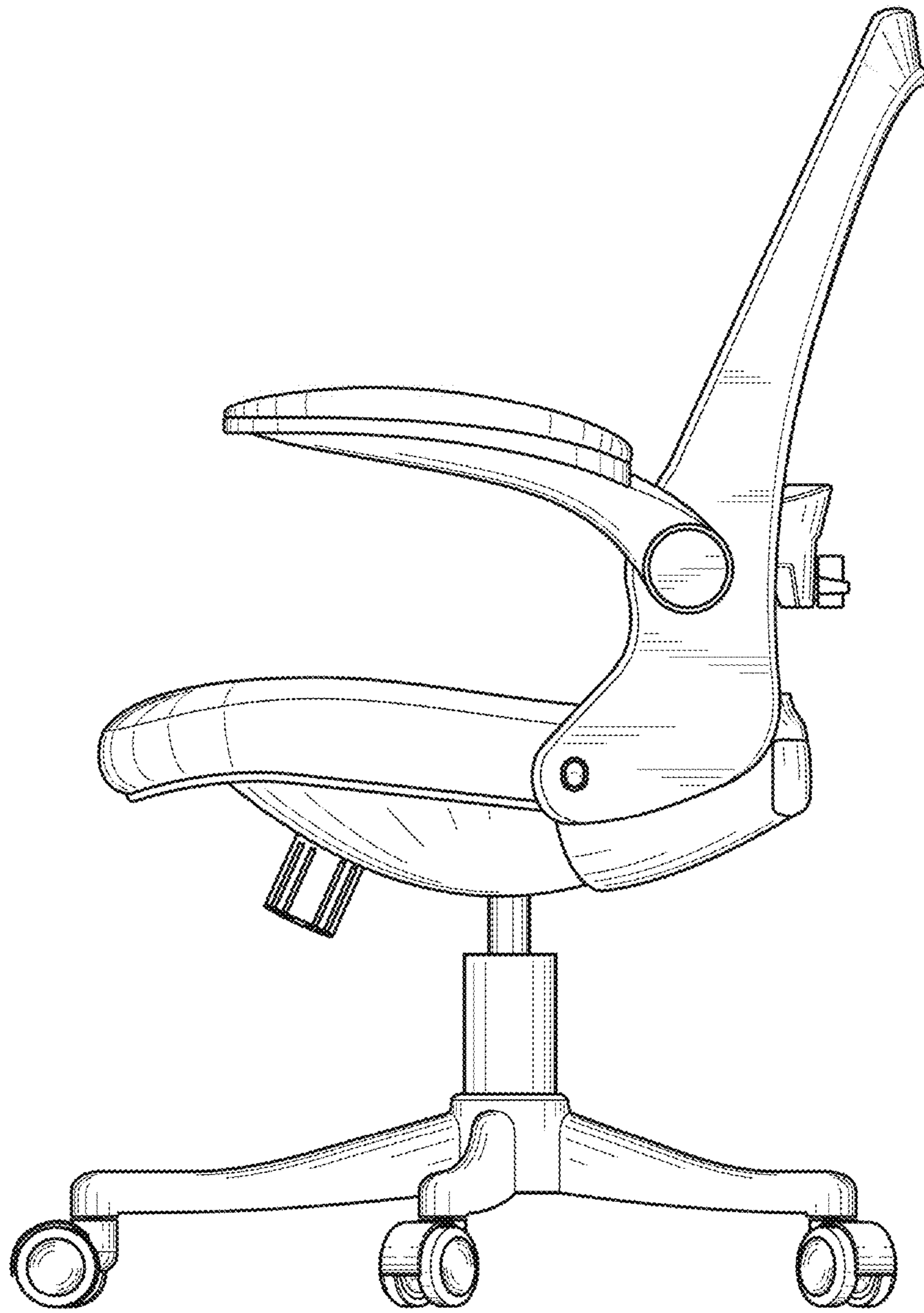


FIG. 5

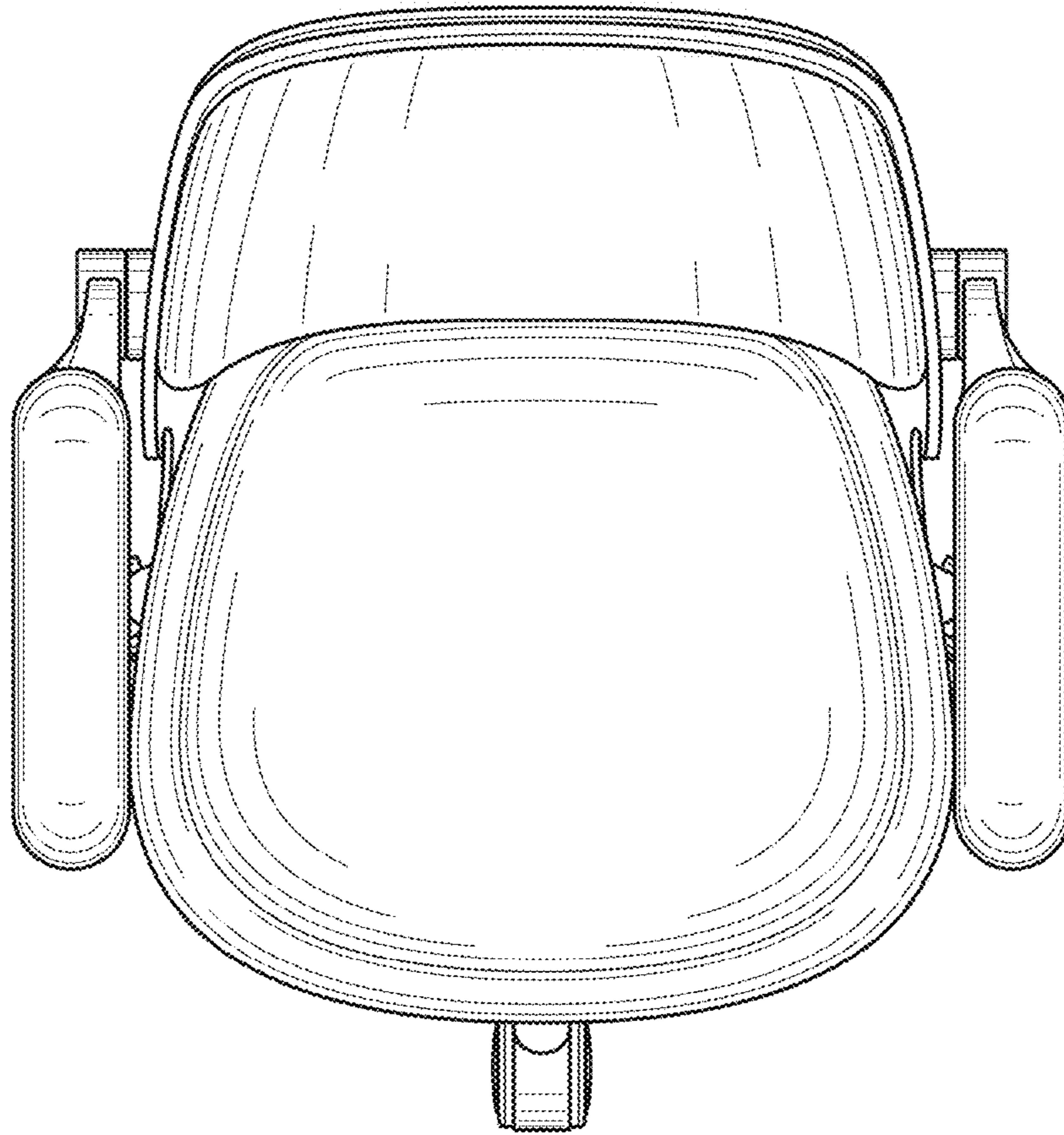


FIG. 6

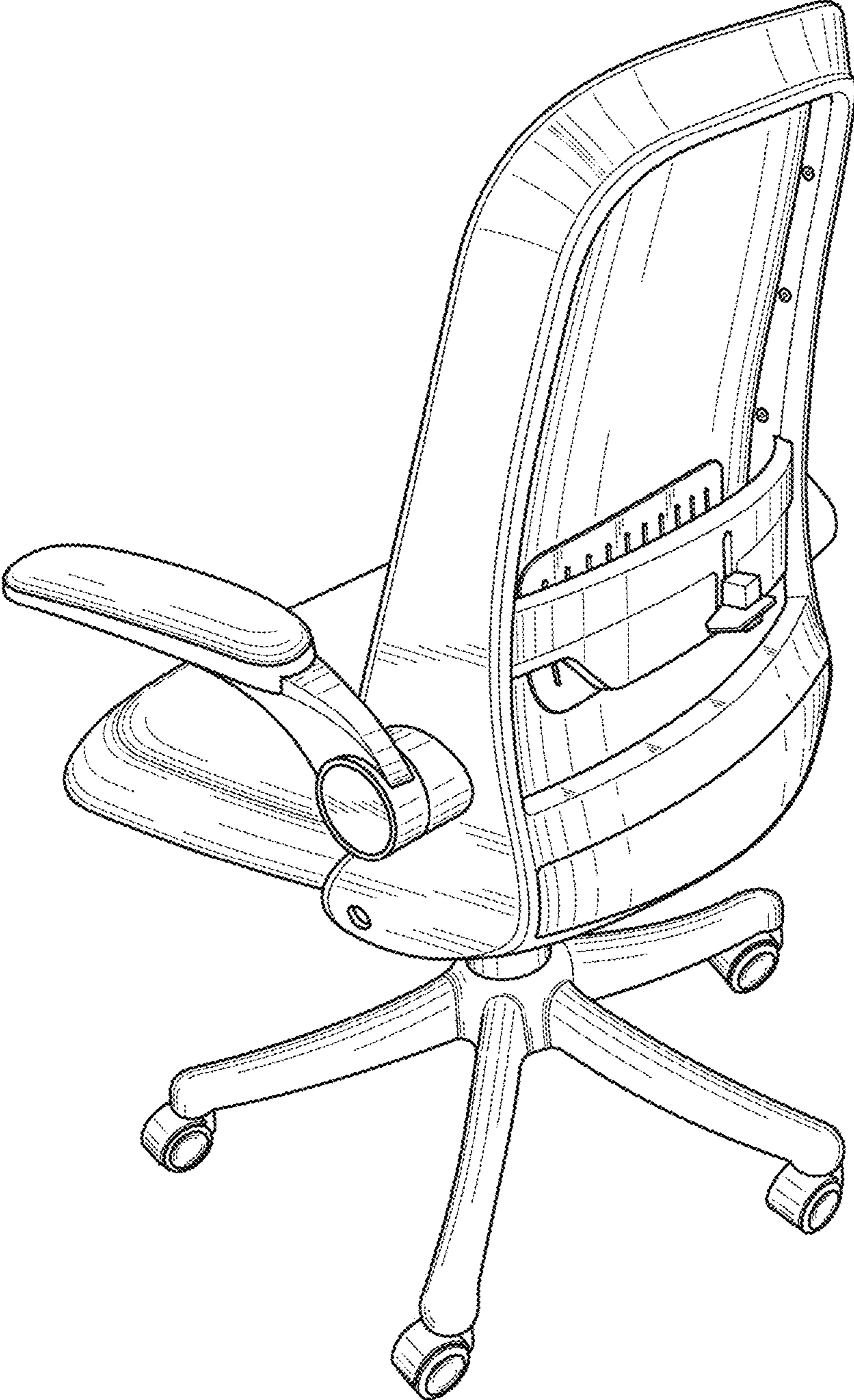


FIG. 7