

US00D949581S

(12) **United States Design Patent** (10) **Patent No.:** **US D949,581 S**  
**Yu** (45) **Date of Patent:** **\*\* Apr. 26, 2022**

(54) **MIRROR**  
(71) Applicant: **Xiaoyan Yu**, Shenzhen (CN)  
(72) Inventor: **Xiaoyan Yu**, Shenzhen (CN)  
(\*\*) Term: **15 Years**

D905,442 S 12/2020 Yang  
D924,456 S \* 7/2021 Zhao ..... D26/56  
D935,791 S \* 11/2021 Li ..... D6/309  
D939,843 S \* 1/2022 Li ..... D6/309  
D942,159 S \* 2/2022 Yang ..... D6/309

(21) Appl. No.: **29/779,529**

FOREIGN PATENT DOCUMENTS

CN 306836231 \* 9/2021

(22) Filed: **Apr. 20, 2021**

\* cited by examiner

(51) **LOC (13) Cl.** ..... **06-07**

*Primary Examiner* — Deanna L Pratt

(52) **U.S. Cl.**  
USPC ..... **D6/309**

(57) **CLAIM**

The ornamental design for a mirror, as shown and described.

(58) **Field of Classification Search**  
USPC ..... D6/300–314  
CPC .... A47G 1/00; A47G 2001/002; A45D 42/10;  
F21V 33/004  
See application file for complete search history.

**DESCRIPTION**

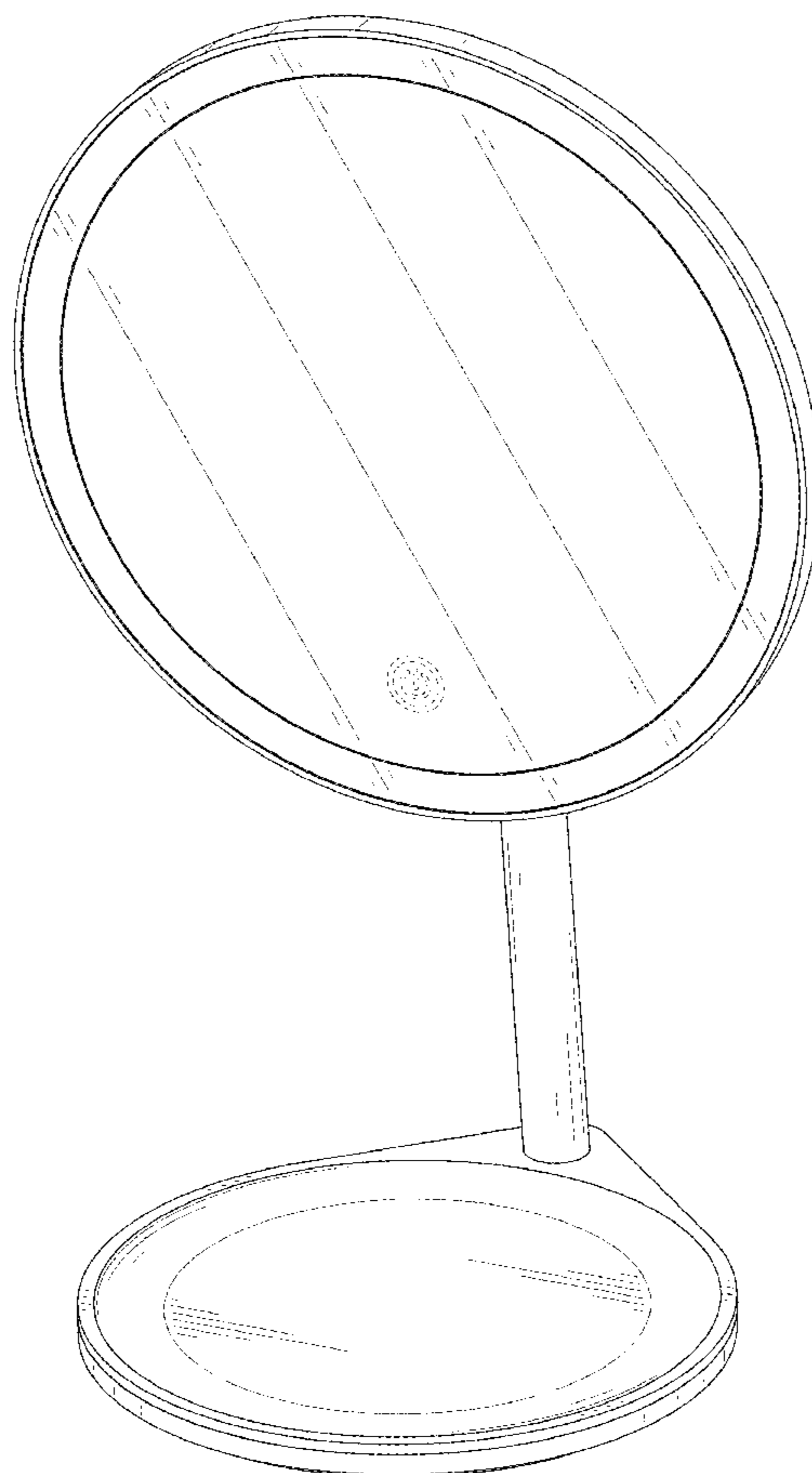
(56) **References Cited**

U.S. PATENT DOCUMENTS

D701,050 S \* 3/2014 Yang ..... D6/309  
D846,288 S \* 4/2019 Yang ..... D6/309  
D879,481 S \* 3/2020 Yang ..... D6/309  
D897,694 S \* 10/2020 Lin ..... D6/309  
D897,695 S \* 10/2020 Yang ..... D6/309  
D898,386 S \* 10/2020 Huang ..... D6/309  
D902,607 S 11/2020 Liu

FIG. 1 is a perspective view of a mirror showing my new design;  
FIG. 2 is another perspective view thereof;  
FIG. 3 is a front elevational view thereof;  
FIG. 4 is a rear elevational view thereof;  
FIG. 5 is a left side elevational view thereof;  
FIG. 6 is a right side elevational view thereof;  
FIG. 7 is a top plan view thereof; and,  
FIG. 8 is a bottom plan view thereof.  
The broken lines in the drawings depict portions of the mirror that form no part of the claimed design.

**1 Claim, 8 Drawing Sheets**



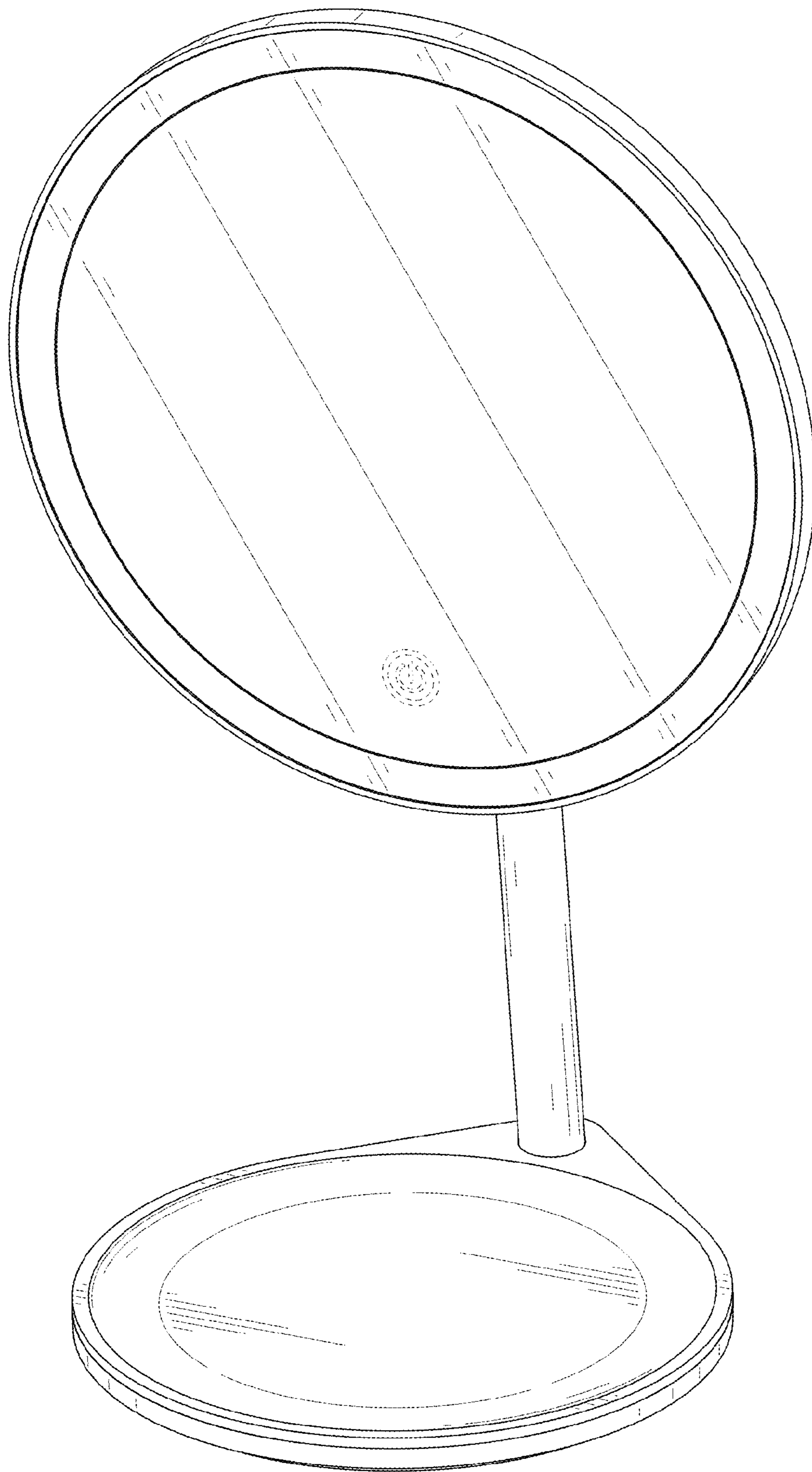


FIG. 1

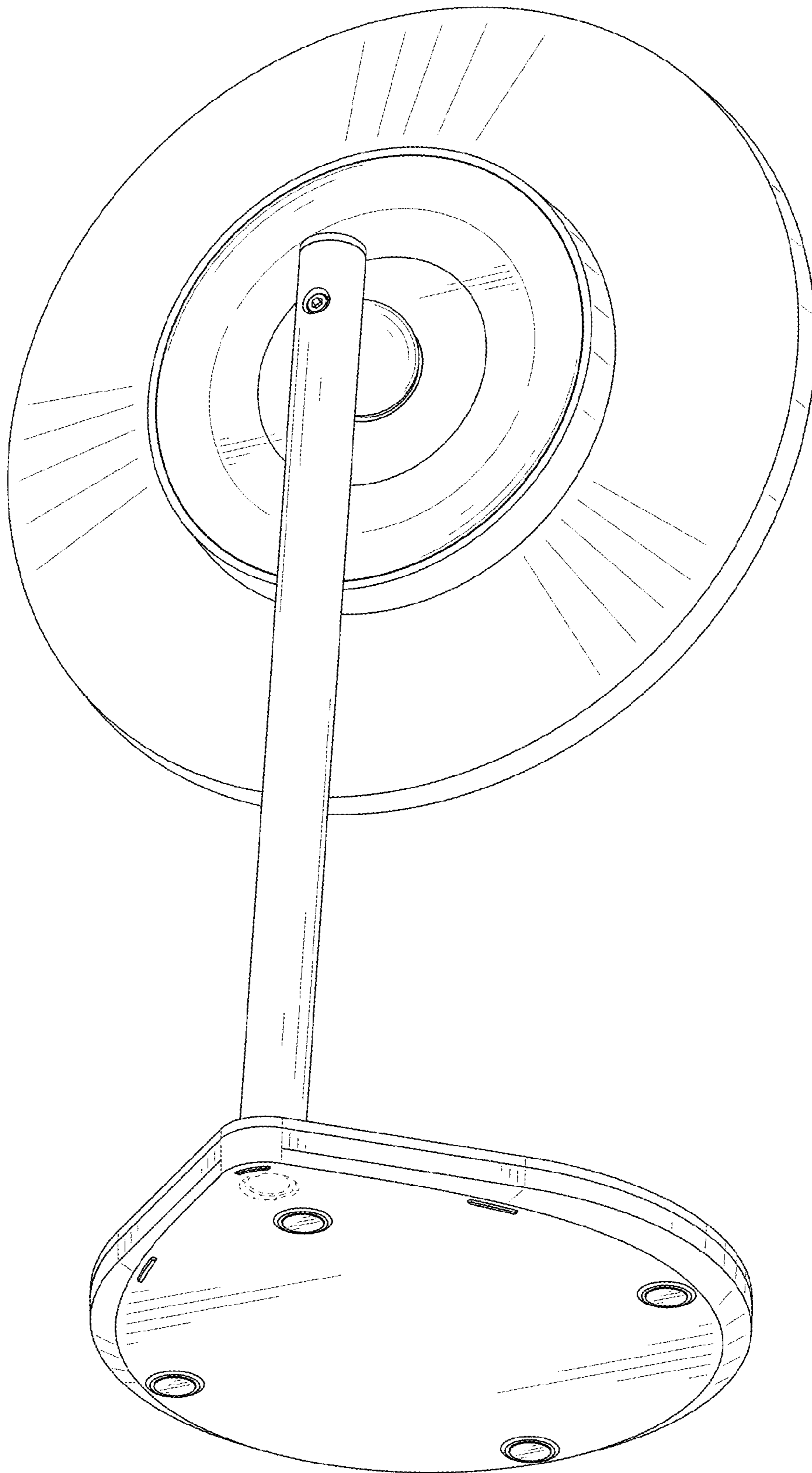


FIG. 2

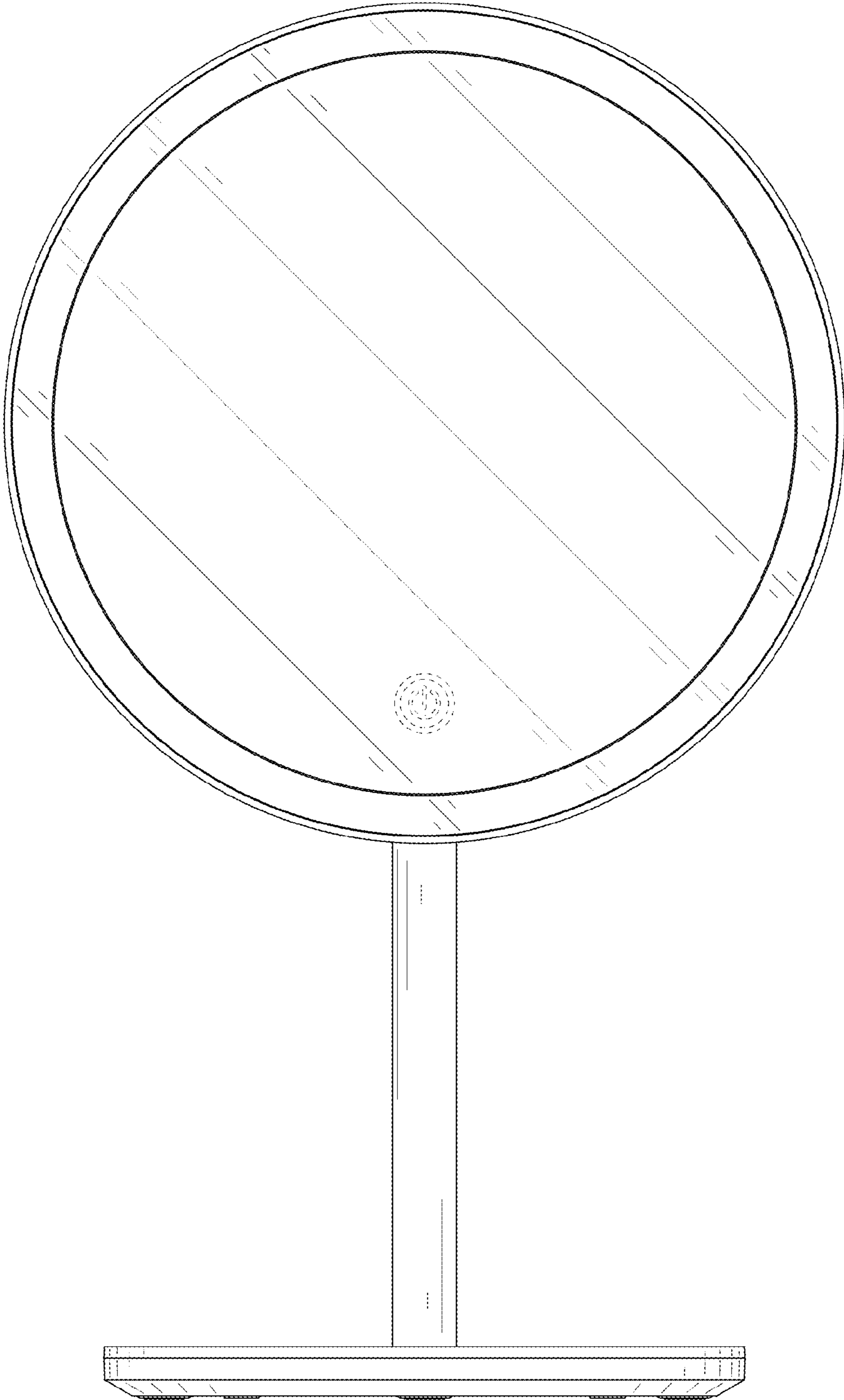


FIG. 3

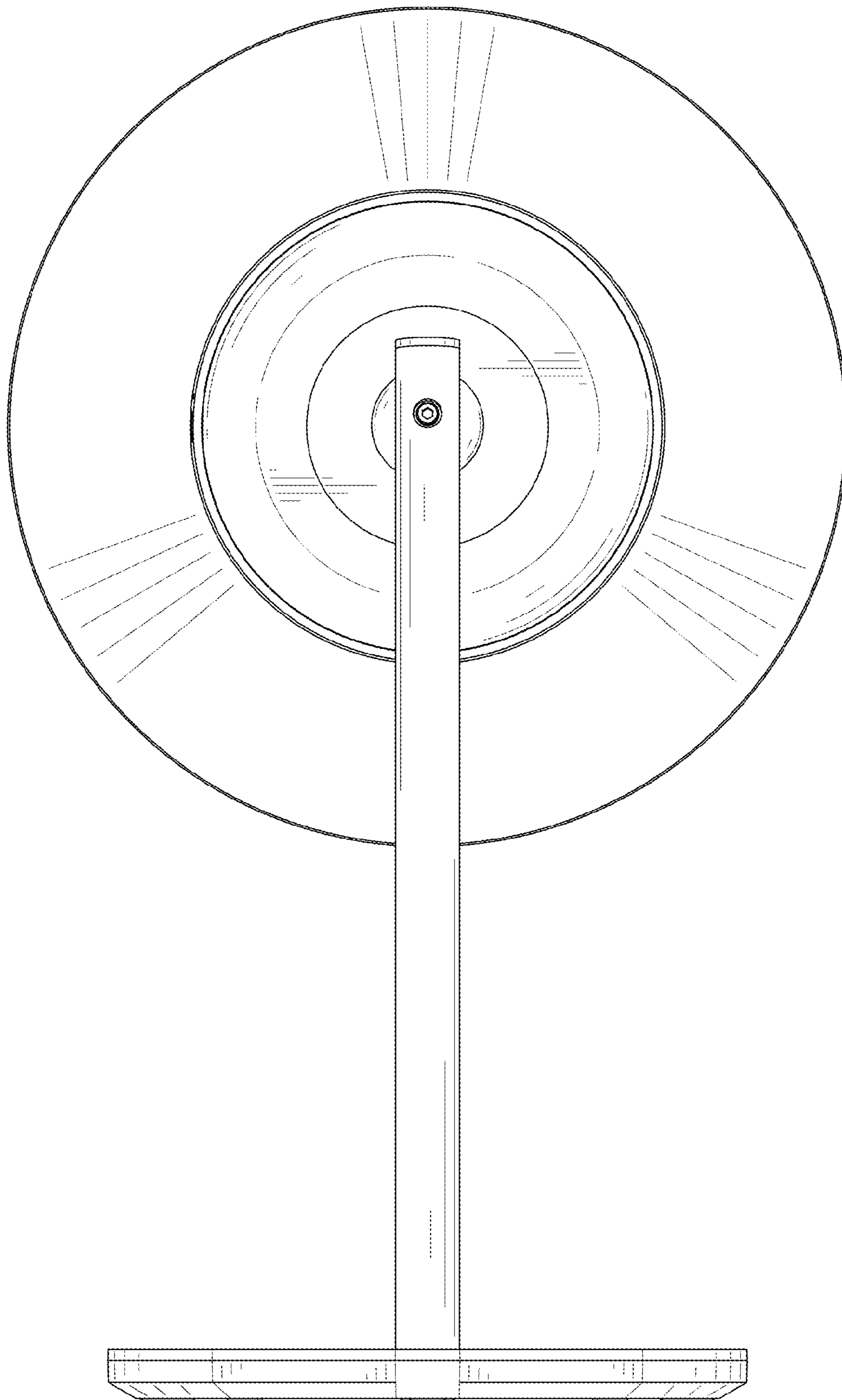


FIG. 4

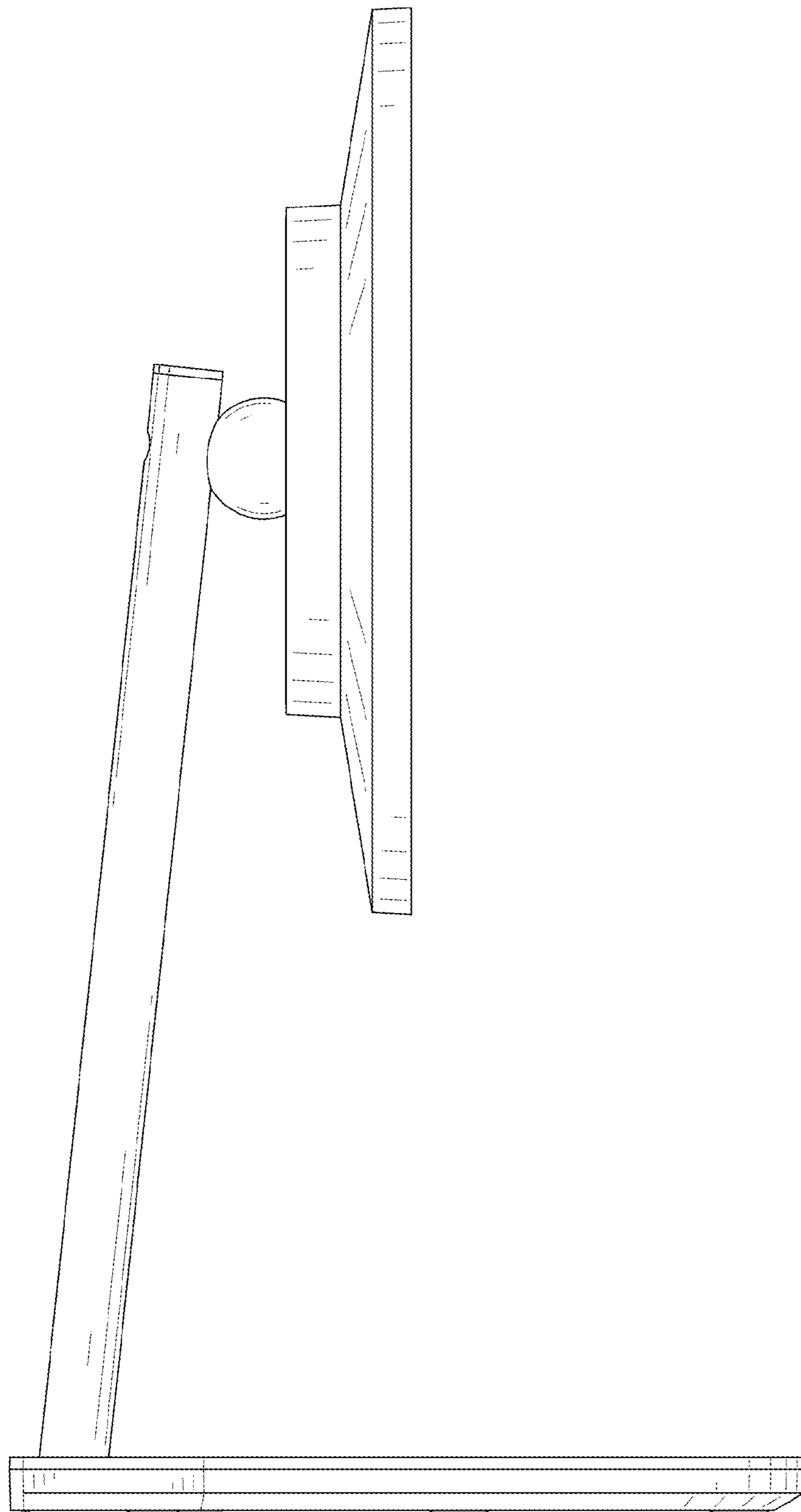


FIG. 5

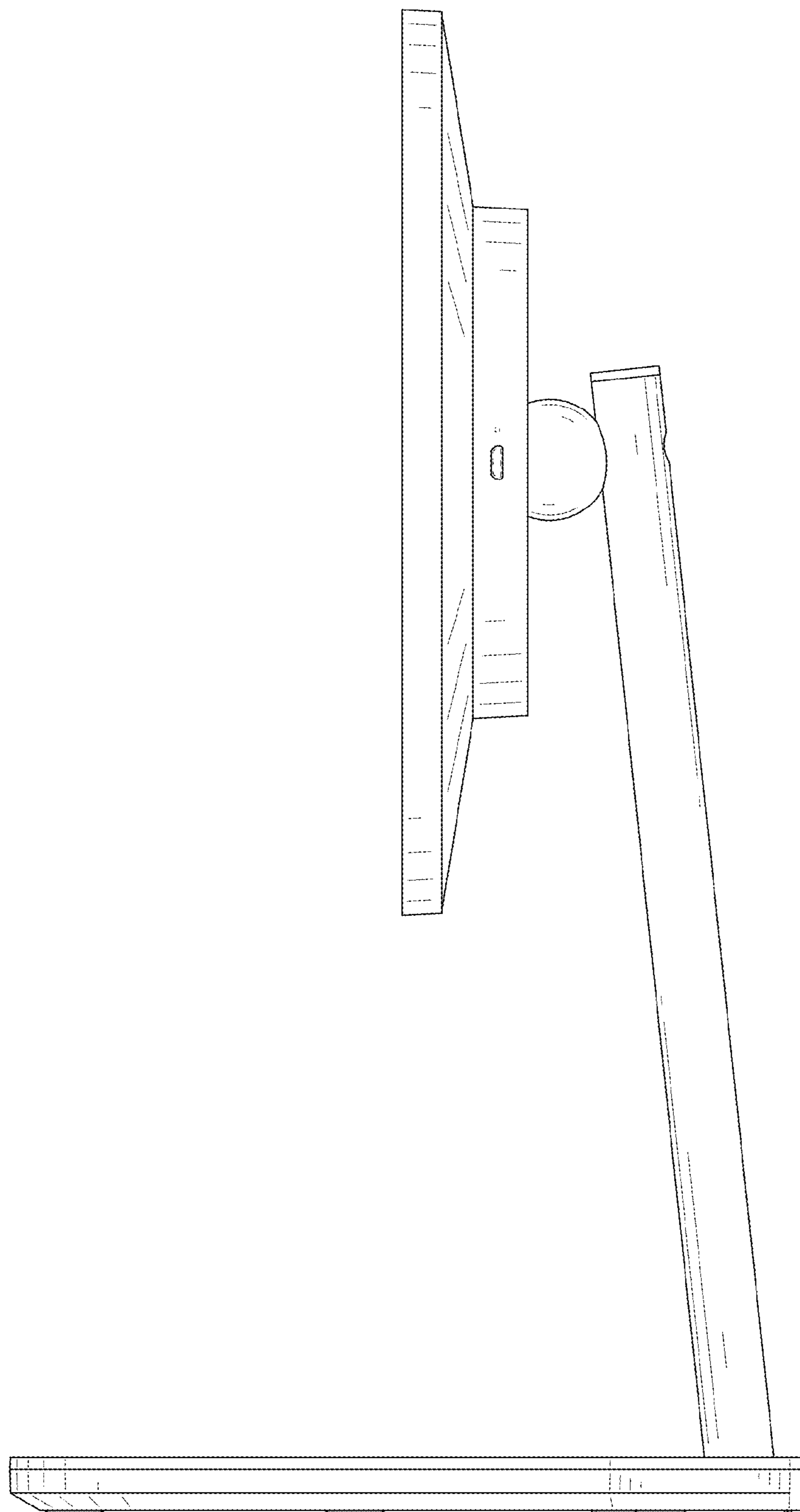


FIG. 6

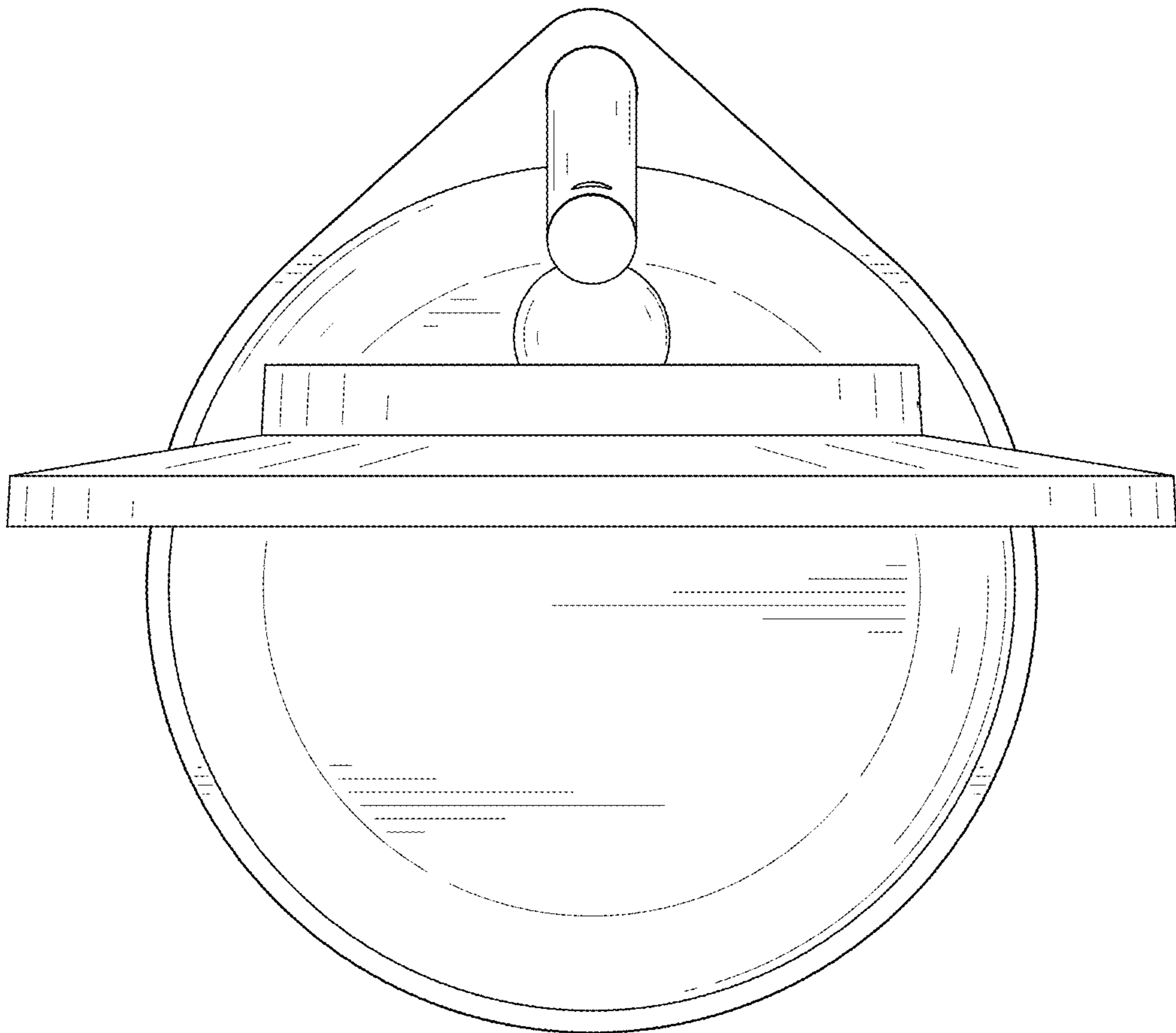


FIG. 7



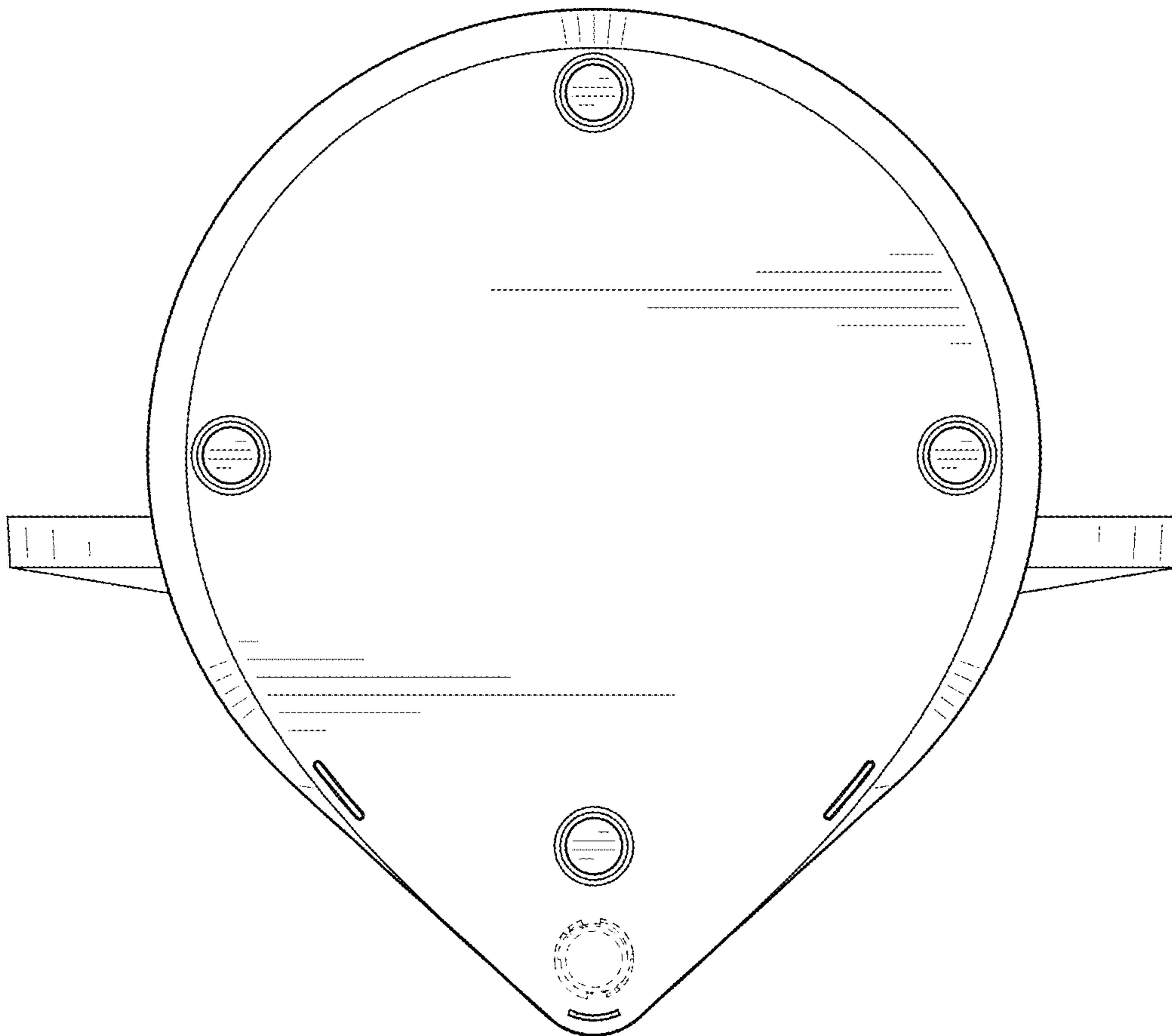


FIG. 8