



US00D949580S

(12) **United States Design Patent** (10) **Patent No.:** **US D949,580 S**  
**Acevedo-Duncan** (45) **Date of Patent:** **\*\* Apr. 26, 2022**

(54) **MIRROR**

(71) Applicant: **University of South Florida**, Tampa, FL (US)  
(72) Inventor: **Mildred Enid Acevedo-Duncan**, Plant City, FL (US)  
(73) Assignee: **University of South Florida**, Tampa, FL (US)  
(\*\*) Term: **15 Years**  
(21) Appl. No.: **29/761,323**

(22) Filed: **Dec. 8, 2020**  
(51) **LOC (13) Cl.** ..... **06-07**  
(52) **U.S. Cl.**  
USPC ..... **D6/309**  
(58) **Field of Classification Search**  
USPC ..... D6/300, 301, 302, 303, 304, 307, 308, D6/309, 310, 311, 312, 313, 314; D28/64.1-64.7; D16/135  
CPC ..... A45D 42/00; A45D 42/10; A45D 42/16; A45D 42/20; A45D 42/24; A47G 1/00; A47G 1/02; A47G 1/04; A47G 1/0622; B60J 3/0282  
See application file for complete search history.

(56) **References Cited**  
U.S. PATENT DOCUMENTS  
1,220,069 A \* 3/1917 Capdevila ..... A47G 1/16 248/474  
1,248,284 A \* 11/1917 Dickenson ..... A45D 27/22 132/291  
2,124,146 A 7/1938 Miller  
D159,100 S \* 6/1950 Ryder ..... D6/309  
(Continued)

FOREIGN PATENT DOCUMENTS  
CN 305557652 \* 7/2019

OTHER PUBLICATIONS

Allied Brass DMF-2/5X [online], [site visited Dec. 6, 2021]. Available from internet, URL: <https://www.amazon.com/Allied-Brass-DMF-2-5X-PC-56-Inch-58-Inch/dp/B00DJHT91M/ref=sr\_1\_65?keywords=Adjustable+Floor+Mirror&qid=1638752315&sr=8-65> (Year: 2005).\*

(Continued)

*Primary Examiner* — Cynthia Ramirez  
*Assistant Examiner* — Xavier Marti-Santos  
(74) *Attorney, Agent, or Firm* — Quarles & Brady LLP

(57) **CLAIM**

The ornamental design for a mirror, as shown and described.

**DESCRIPTION**

FIG. 1 is a perspective view of a top, front, and right side of an ornamental design for a mirror in a first configuration; FIG. 2 is a front elevational view of the mirror of FIG. 1; FIG. 3 is a rear elevational view of the mirror of FIG. 1; FIG. 4 is a right side elevational view of the mirror of FIG. 1; FIG. 5 is a left side elevational view of the mirror of FIG. 1; FIG. 6 is a top plan view of the mirror of FIG. 1; FIG. 7 is a bottom plan view of the mirror of FIG. 1; and, FIG. 8 is a perspective view of a top, front, and right side of the mirror of FIG. 1 in a second configuration. The broken lines in the figures are for the purpose of illustrating portions of the mirror, which form no part of the claimed design. The mirror is shown with a symbolic dash-dot break lines in its length. The appearance of any portion of the mirror between the dash-dot break lines, shown in dash-dash broken lines form no part of the claimed design. The oblique shade lines depict a reflective surface.

**1 Claim, 6 Drawing Sheets**



(56)

References Cited

U.S. PATENT DOCUMENTS

3,781,093	A *	12/1973	Grabijas .....	F16M 11/14 359/876
D316,635	S *	5/1991	Smith .....	D6/309
D438,389	S *	3/2001	Ross .....	D6/312
6,206,530	B1	3/2001	Eberts	
D444,634	S *	7/2001	Dodson .....	D6/312
D574,159	S *	8/2008	Howard .....	D6/310
7,861,985	B2	1/2011	Galvin	
8,393,749	B1	3/2013	Daicos	
8,506,099	B1	8/2013	Abdool	
D713,056	S *	9/2014	Gulick .....	D25/68
9,232,846	B2	1/2016	Fung	
D824,681	S *	8/2018	Vaughn .....	D6/309
D877,522	S *	3/2020	Boehm .....	D6/309
D891,791	S *	8/2020	Zhu .....	D6/309
2020/0064590	A1 *	2/2020	Boehm .....	A45D 42/16

OTHER PUBLICATIONS

Circular Shaped Mirror Lamp [online], [site visited Dec. 6, 2021]. Available from internet, URL: <<https://www.litfad.com/circular-shaped-mirror-lamp-simplicity-black-usb-led-fill-in-flash-lighting-with-adjustable-arm-p-69083.html>> (Year: 2021).\*

Fancii Portable LED Makeup Mirror [online], [site visited Jan. 10, 2022]. Available from internet, URL: <<https://www.amazon.com/Fancii-Portable-Adjustable-Detachable-Magnifying/dp/B083F59FTM/?th=1>> (Year: 2020).\*

Avocado Chili. 360 Degree Adjustable Four-Folds Mirror. Retrieved on May 20, 2019. Available online at: [https://avocadochili.com/products/360-degree-adjustable-four-folds-mirror?variant=31846706839588&utm\\_medium=cpc&utm\\_source=google&utm\\_campaign=Google%20Shopping&gclid=CjwKCAjw\\_LL2BRAkEiwAv2Y3SRxpCt22BKbFDFG2tSurVN4JRMkJvZNPoT0puWA6ko2ozehy00h8SSBoCotkQAvD\\_BwE](https://avocadochili.com/products/360-degree-adjustable-four-folds-mirror?variant=31846706839588&utm_medium=cpc&utm_source=google&utm_campaign=Google%20Shopping&gclid=CjwKCAjw_LL2BRAkEiwAv2Y3SRxpCt22BKbFDFG2tSurVN4JRMkJvZNPoT0puWA6ko2ozehy00h8SSBoCotkQAvD_BwE).

Bando. Lookin Good Compact Mirror—Daisy. Retrieved on May 27, 2019. Available online at <https://www.bando.com/products/lookin-good-compact-mirror-daisy?variant=15841158561866>.

HJYYXL. Led Lighted Makeup Mirror, Compact Portable Tabletop Folding Mirror, 1x 5X Magnifying Double Side 270° Rotation Travel Vanity Mirror White 7x7x2inch. Retrieved on May 14, 2020. Available online at: [https://www.amazon.com/Portable-Tabletop-Magnifying-270%C2%B0Rotation-7x7x2inch/dp/B086PH79PF/ref=sr\\_1\\_55?dchild=1&keywords=collapsible+travel+magnifying+mirror&qid=1589475678&sr=8-55](https://www.amazon.com/Portable-Tabletop-Magnifying-270%C2%B0Rotation-7x7x2inch/dp/B086PH79PF/ref=sr_1_55?dchild=1&keywords=collapsible+travel+magnifying+mirror&qid=1589475678&sr=8-55).

Pier 91. White Flower Shape Kids Playroom Furniture Wooden Coat Rack with Mirror. Retrieved on May 27, 2019. Available online at: <http://www.home-woodfurniture.com/sale-9688033-white-flower-shape-kids-playroom-furniture-wooden-coat-rack-with-mirror.html>.

QVC. Floxite 5x/1x Lighted Folding Vanity and Travel Mirror. Retrieved on May 27, 2019. Available online at: [https://www.qvc.com/qvc.product.V36681.html?colorId=150&sizeId=000&ref=GBA&cm\\_mmc=GOOGLESHOPPINGFEED-\\_-GShop-ping|M|Genericbeauty-\\_-pla-\\_-sldc\\_44906288867\\_pla-878421529437\\_V36681-150-000\\_&mkwid=sldc\\_pcrd\\_44906288867\\_878421529437\\_pkw\\_pmt\\_productid\\_V36681-150-000&gclid=CjwKCAjw\\_LL2BRAkEiwAv2Y3SQxDT5-mlnRvpmrukG03pvFsMdy5zPHXqgJEwidPwh44gyGRdrJBoCrCcQAvD\\_BwE](https://www.qvc.com/qvc.product.V36681.html?colorId=150&sizeId=000&ref=GBA&cm_mmc=GOOGLESHOPPINGFEED-_-GShop-ping|M|Genericbeauty-_-pla-_-sldc_44906288867_pla-878421529437_V36681-150-000_&mkwid=sldc_pcrd_44906288867_878421529437_pkw_pmt_productid_V36681-150-000&gclid=CjwKCAjw_LL2BRAkEiwAv2Y3SQxDT5-mlnRvpmrukG03pvFsMdy5zPHXqgJEwidPwh44gyGRdrJBoCrCcQAvD_BwE).

SleekTek. Lighted Makeup Mirror with 3 Color Lighting Modes, Touch Screen Design, 1x 2x 3x Magnificatoin Mirror with Light—Height Adjustable, Portable Trifold Makeup Vanity Mirror. Retrieved on May 14, 2020. Available online at [https://www.amazon.com/maquillaje-iluminado-iluminaci%C3%B3n-pantalla-aumentos/dp/B07ZWWJJ6VQ/ref=sr\\_1\\_41?dchild=1&keywords=collapsible+travel+magnifying+mirror&qid=1589473999&sr=8-41](https://www.amazon.com/maquillaje-iluminado-iluminaci%C3%B3n-pantalla-aumentos/dp/B07ZWWJJ6VQ/ref=sr_1_41?dchild=1&keywords=collapsible+travel+magnifying+mirror&qid=1589473999&sr=8-41).

Wayfair. Kampmann Traditional Accent Mirror. Retrieved on May 27, 2019. Available online at: <https://www.wayfair.com/decor-pillows/pdp/bungalow-rose-kampmann-traditional-accent-mirror-fome7075.html>.

\* cited by examiner

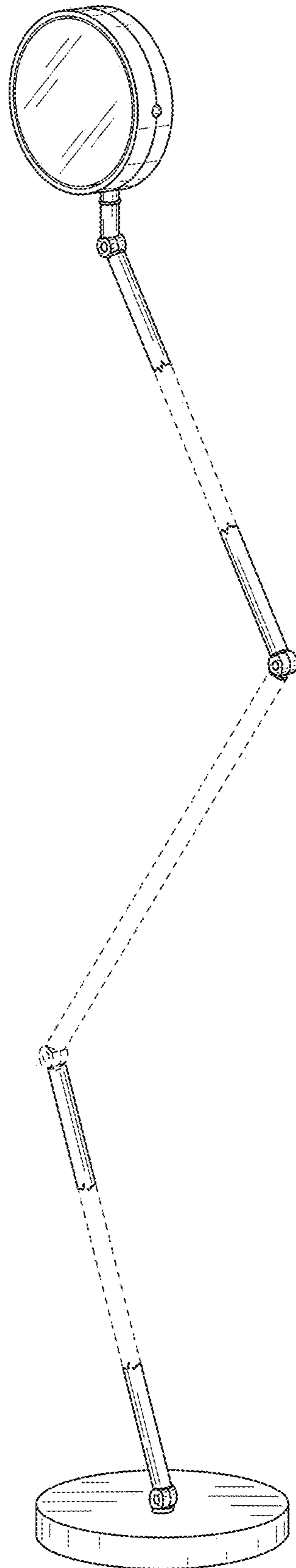


FIG. 1

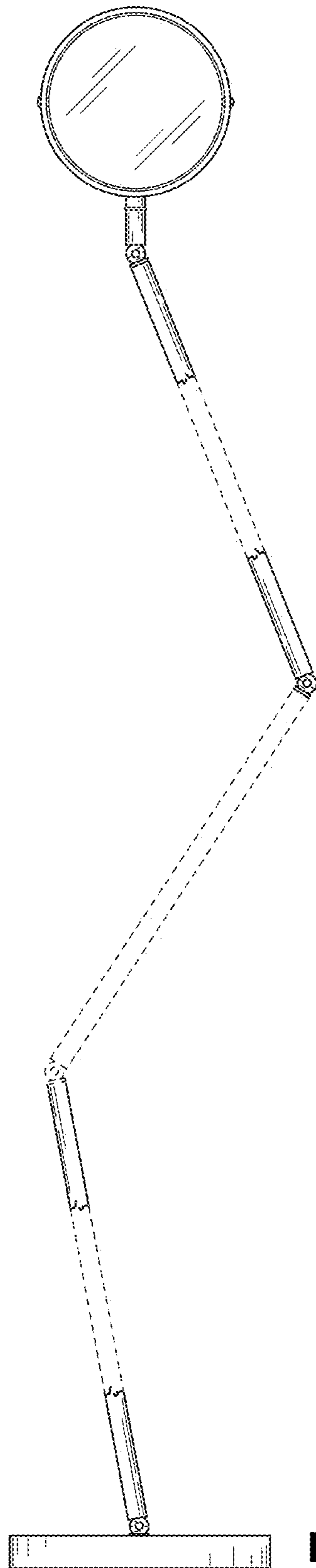


FIG. 2

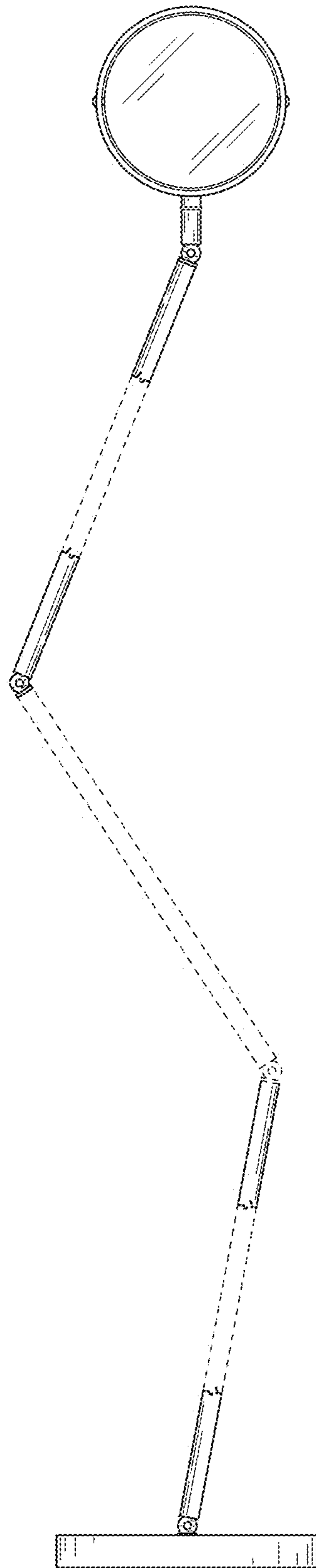


FIG. 3

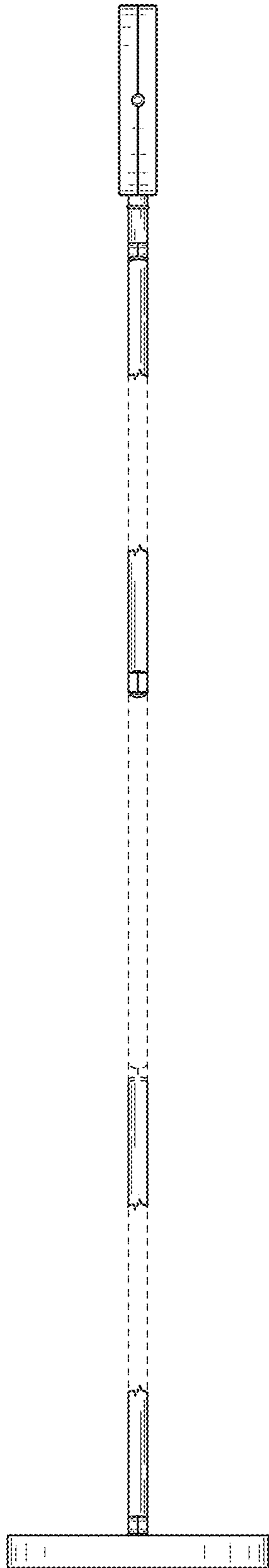


FIG. 4

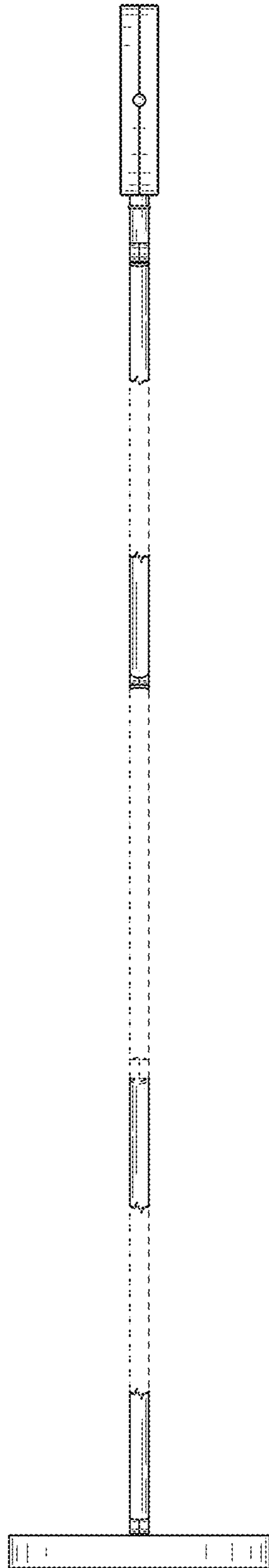


FIG. 5

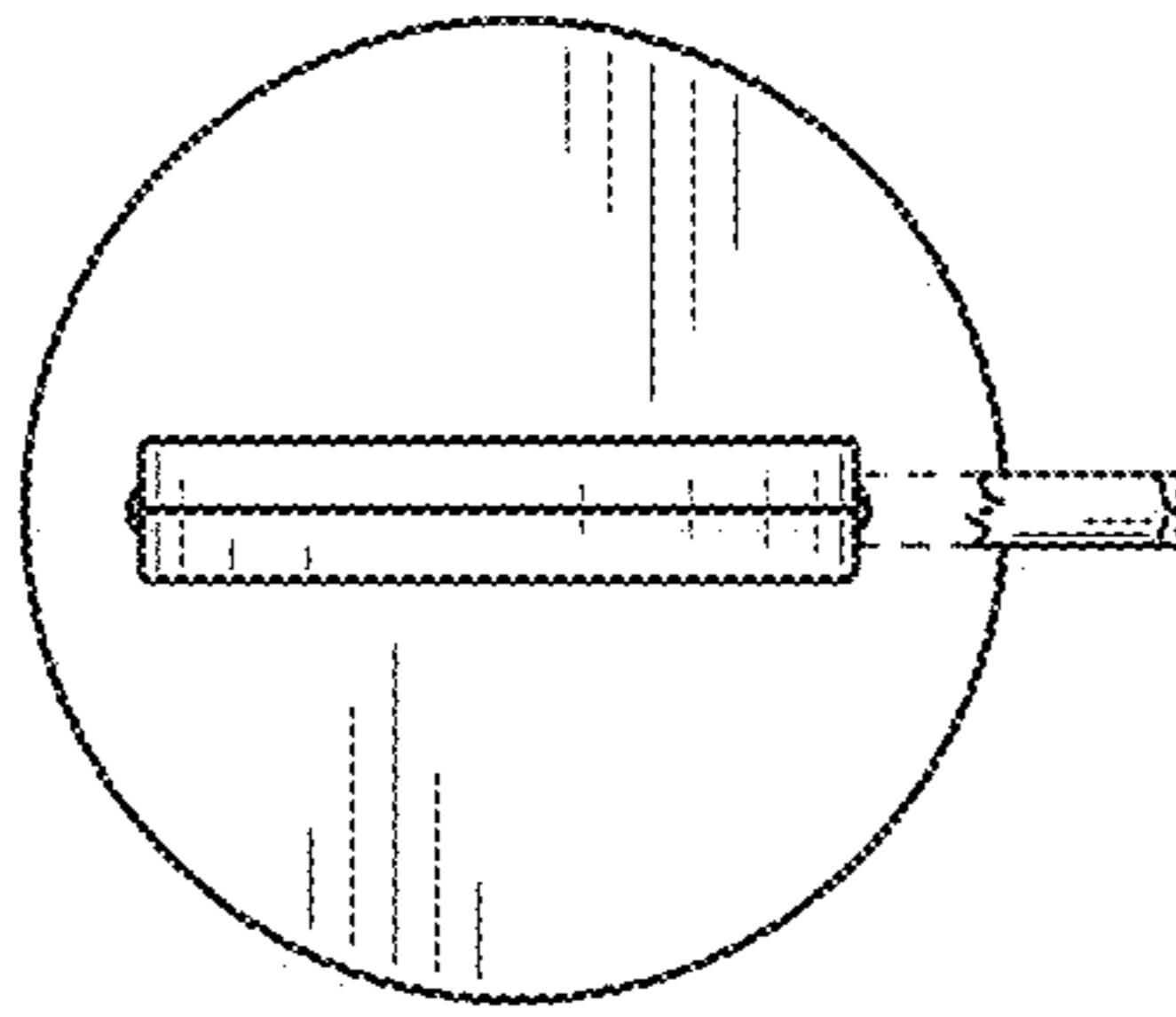


FIG. 6

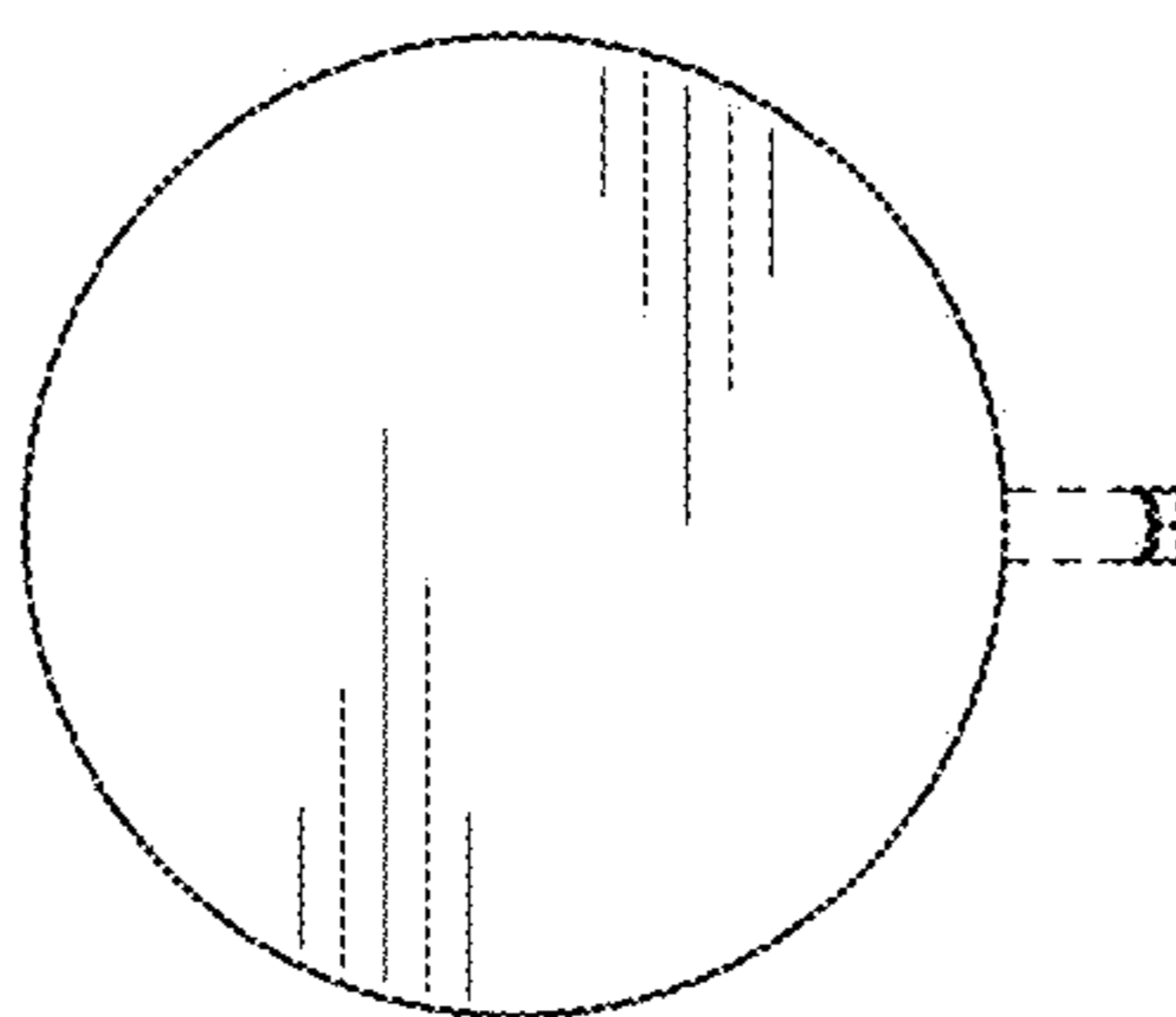


FIG. 7

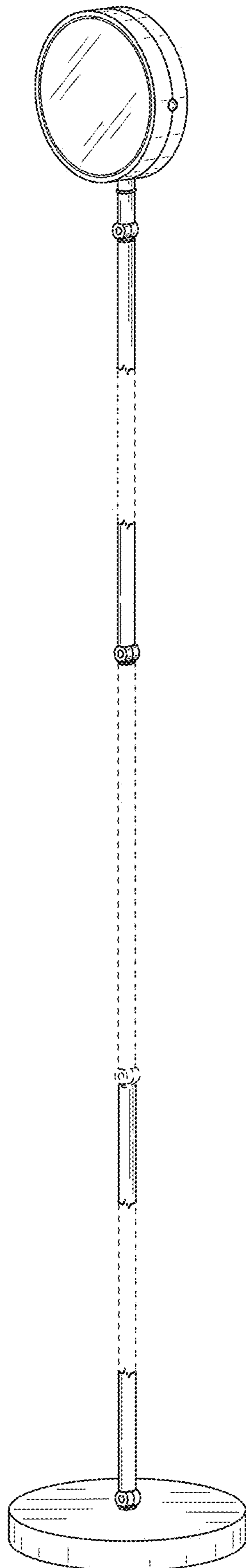


FIG. 8