



US00D949578S

(12) **United States Design Patent** (10) **Patent No.:** **US D949,578 S**
Milstein et al. (45) **Date of Patent:** **** Apr. 26, 2022**

(54) **PICTURE FRAME**
(71) Applicant: **PUSHD, INC.**, San Francisco, CA (US)
(72) Inventors: **Scott Milstein**, Brooklyn, NY (US);
Scott Chapps, Forest Hills, NY (US);
Abdur Chowdhury, San Francisco, CA (US); **Eric Jensen**, Brooklyn, NY (US)
(73) Assignee: **AURA HOME, INC.**, San Francisco, CA (US)
(**) Term: **15 Years**
(21) Appl. No.: **29/711,343**
(22) Filed: **Oct. 30, 2019**
(51) **LOC (13) Cl.** **06-07**
(52) **U.S. Cl.**
USPC **D6/308**
(58) **Field of Classification Search**
USPC D6/300, 301, 302, 303, 304, 307, 308,
D6/309, 310, 311, 312, 313, 314;
D10/15, 21, 24; D14/336, 341, 371, 372,
D14/374, 381, 382, 448, 450; D20/10,
D20/27
CPC A47G 1/0616; A47G 1/142; A47G
2001/0694; A47G 1/06; A47G 1/0605;
A47G 1/0633; A47G 1/0638; A47G
1/0644; A47G 1/08; A47G 1/10; A47G
1/14; A47G 1/141; A47G 1/16; A47G
1/1606; A47G 1/1613; A47G 2001/0661;
A47G 2001/0672; A47G 2001/0688;
A47G 2001/148; G06F 1/1654
See application file for complete search history.

(56) **References Cited**
U.S. PATENT DOCUMENTS
2,806,310 A * 9/1957 Boyd A47G 1/0633
40/789
D350,441 S * 9/1994 Grauert D30/101

D409,843 S * 5/1999 Chevallier D6/300
D426,539 S * 6/2000 Horikoshi D14/214
D443,147 S * 6/2001 Vincent D6/300
D451,290 S * 12/2001 Allen D6/300
D451,683 S * 12/2001 Vincent D6/300
D532,823 S * 11/2006 Pena Angarita D19/113
D600,244 S * 9/2009 Chiu D14/126
(Continued)

OTHER PUBLICATIONS

Aura Mason Smart Digital Picture Framee [online], [site visited Oct. 25, 2021]. Available from internet, URL: <https://www.amazon.com/Aura-Frames-Digital-Picture-Display/dp/B07YBHLQ3S?ref_ast_sto_dp> (Year: 2019).*

(Continued)

Primary Examiner — Cynthia Ramirez
Assistant Examiner — Xavier Marti-Santos
(74) *Attorney, Agent, or Firm* — Pauley Erickson & Swanson

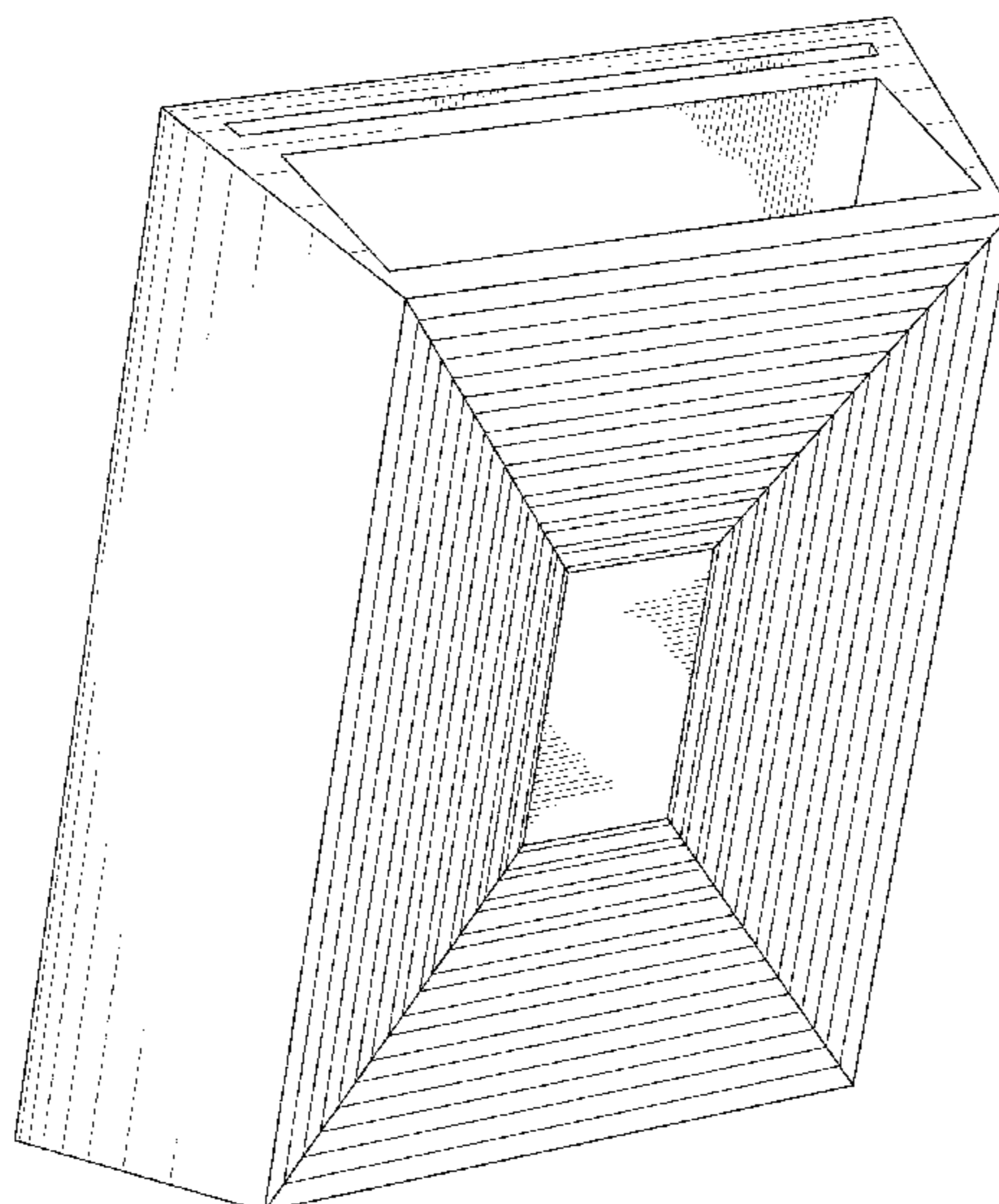
(57) **CLAIM**

The ornamental design for a picture frame, as shown.

DESCRIPTION

FIG. 1 is a rear perspective view of a picture frame showing our new design;
FIG. 2 is a front view of the picture frame, as shown in FIG. 1;
FIG. 3 is a rear view of the view of the picture frame, as shown in FIG. 1;
FIG. 4 is a side view of the picture frame, as shown in FIG. 1;
FIG. 5 is a side view, opposite the side view in FIG. 4, of the picture frame, as shown in FIG. 1;
FIG. 6 is an end view of the picture frame, as shown in FIG. 1; and,
FIG. 7 is an end view of the picture frame, opposite the end view in FIG. 6, as shown in FIG. 1.

1 Claim, 7 Drawing Sheets



(56)

References Cited

U.S. PATENT DOCUMENTS

D636,188 S * 4/2011 Kim D6/308
D643,633 S * 8/2011 Chiu D6/308
D710,702 S * 8/2014 Damatov D9/456
D805,309 S 12/2017 Moyer et al.
D904,038 S * 12/2020 Donner D6/300

OTHER PUBLICATIONS

Co-pending Design U.S. Appl. No. 29/711,160, Scott Milstein et al.,
“Freestanding Digital Picture Frame,” filed Oct. 29, 2019.

Co-pending Design U.S. Appl. No. 29/711,179, Scott Chapps et al.,
“Mesh Digital Picture Frame,” filed Oct. 29, 2019.

* cited by examiner

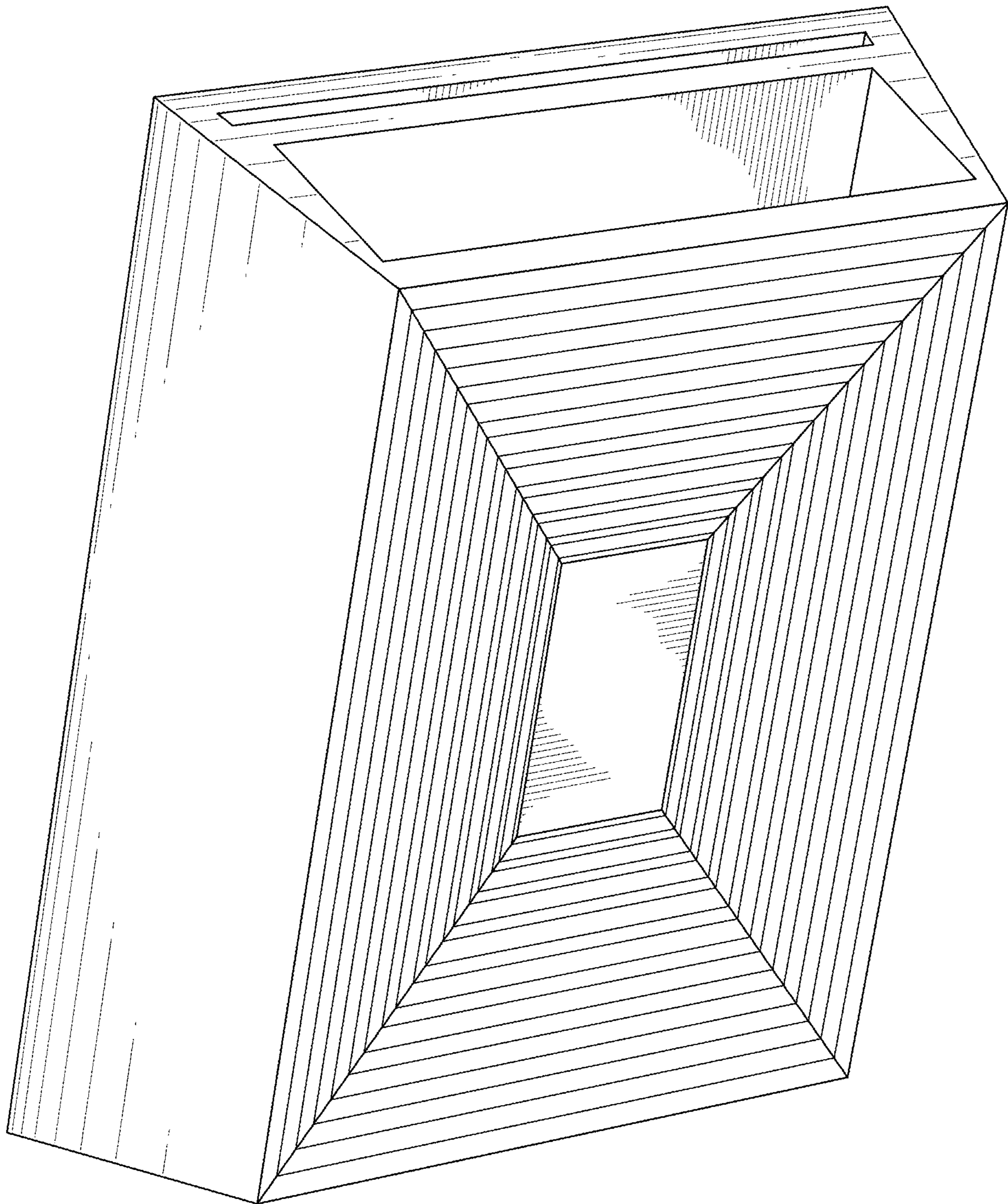


FIG. 1

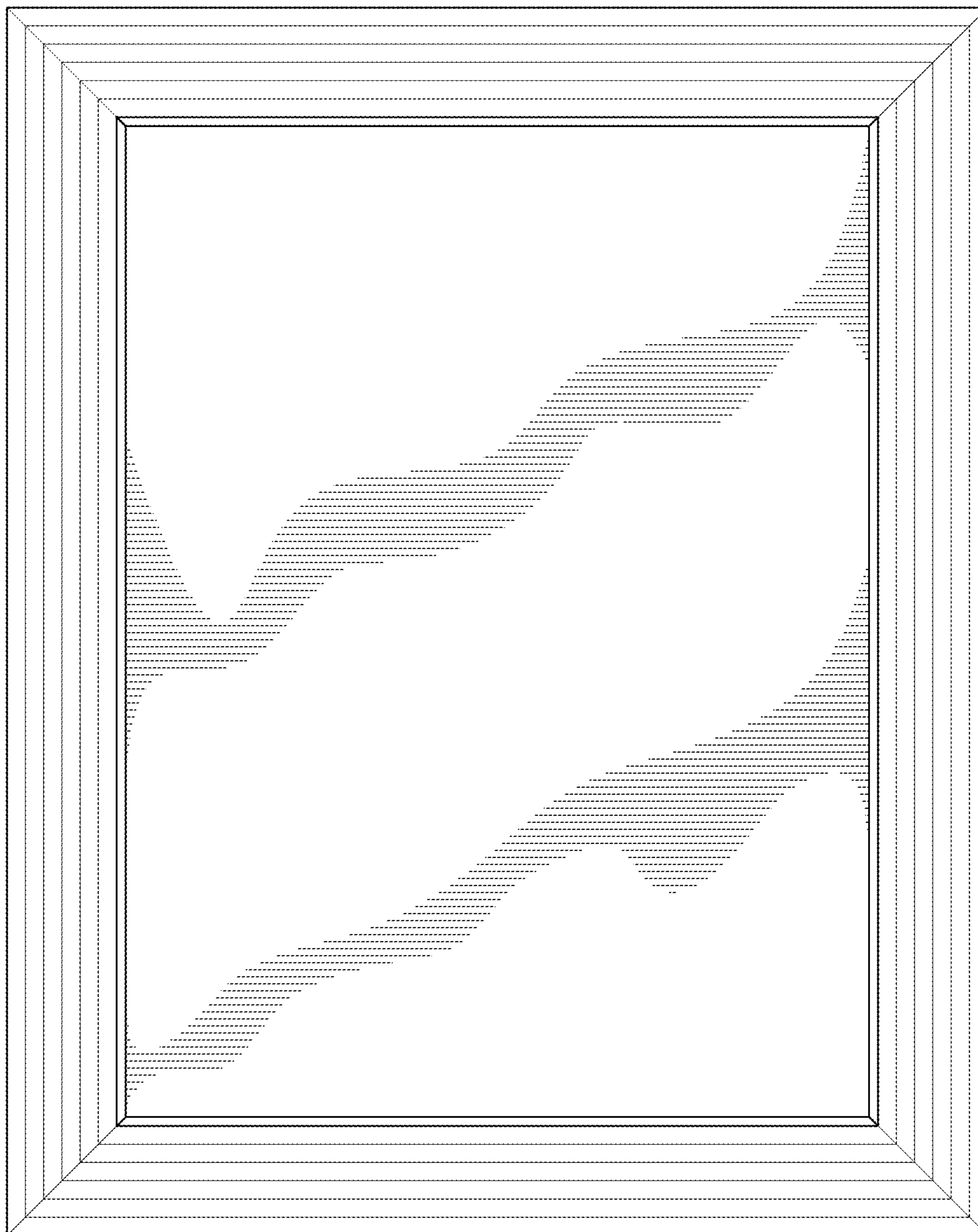


FIG. 2

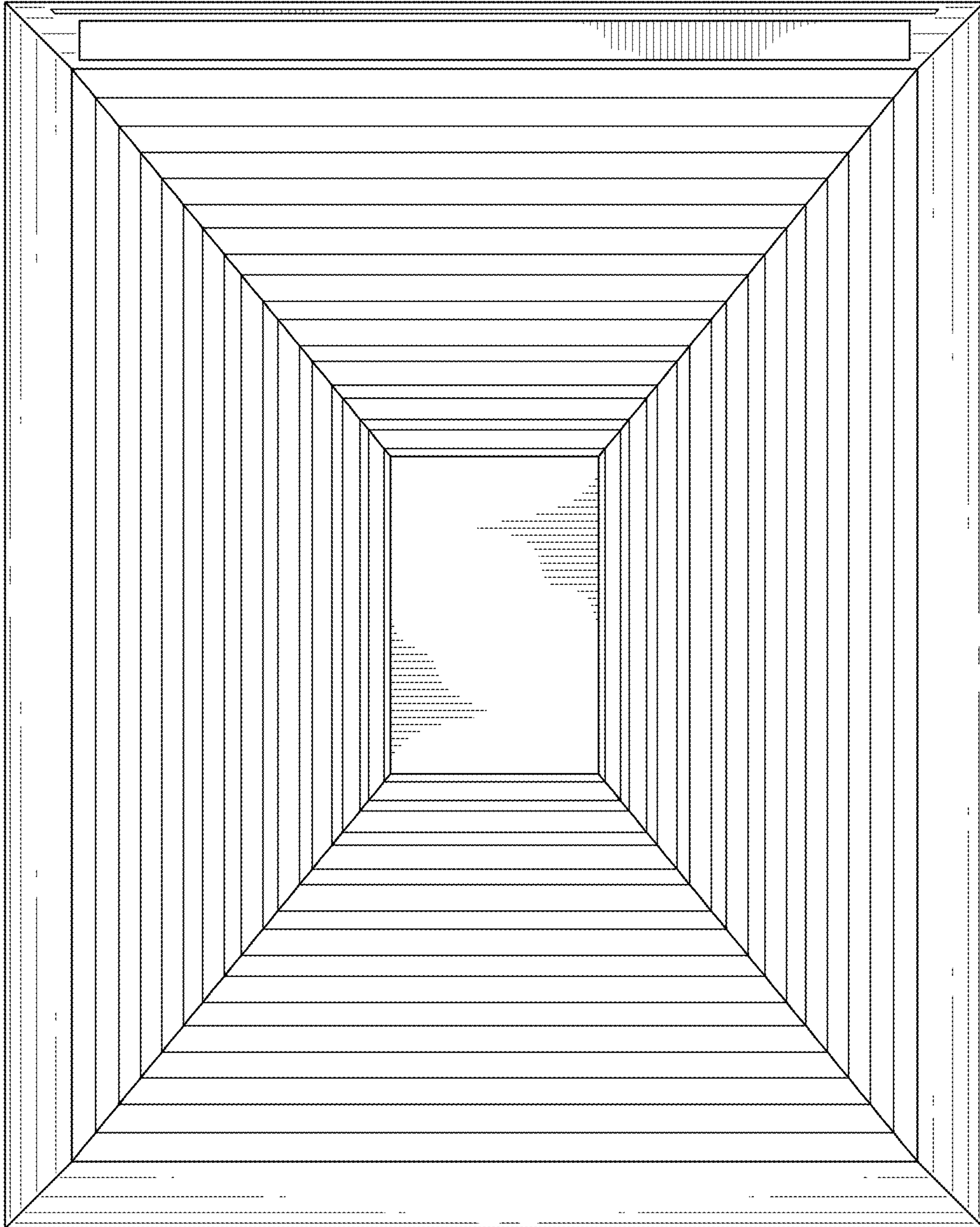


FIG. 3

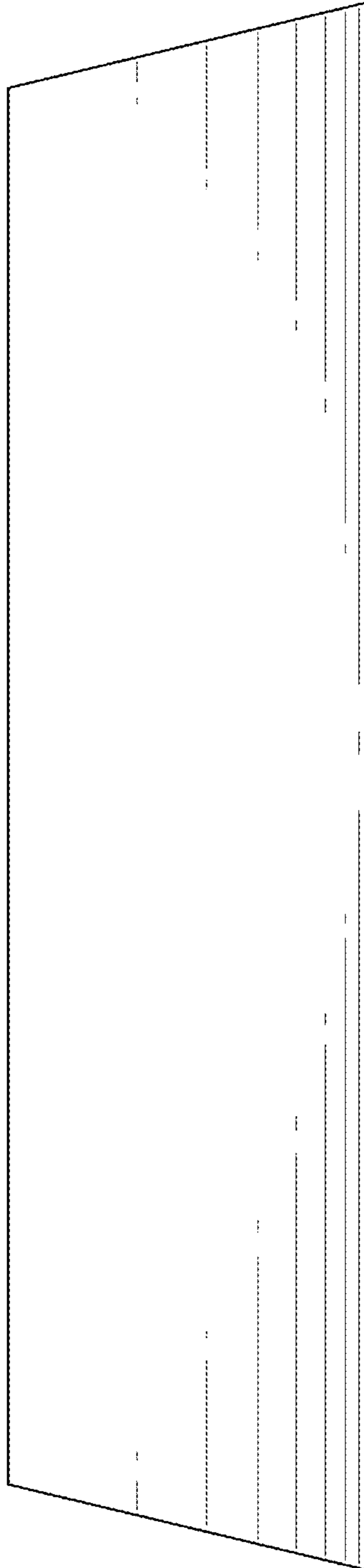


FIG.4

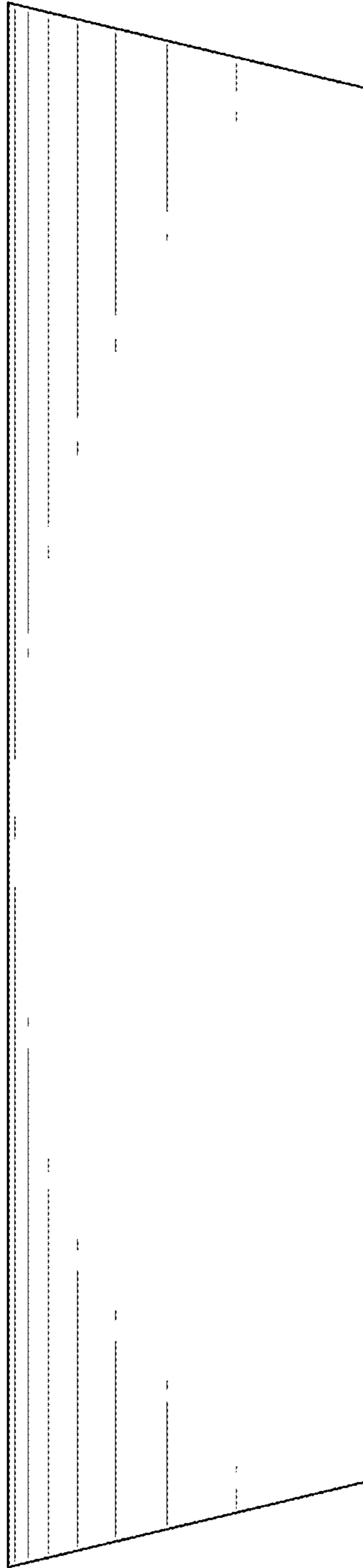


FIG. 5

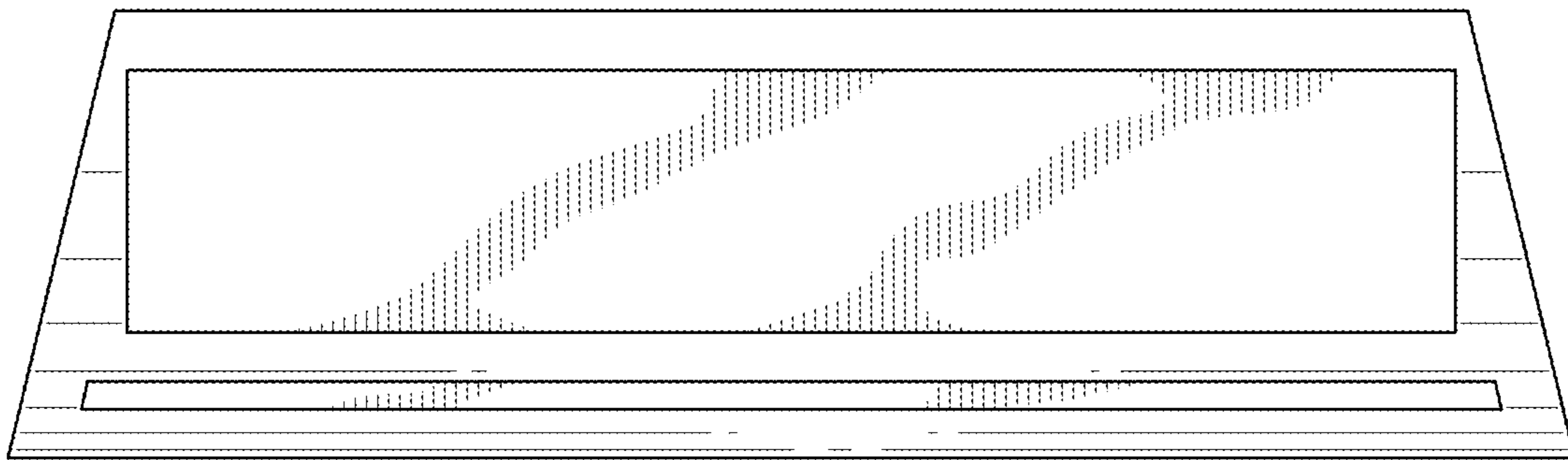


FIG.6

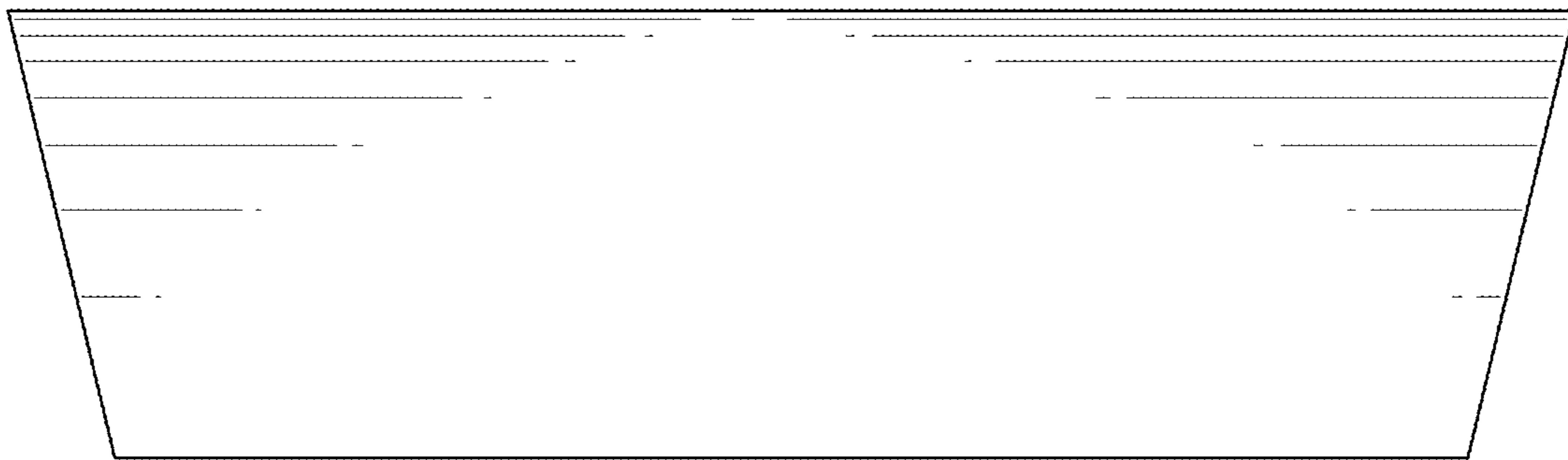


FIG. 7