



US00D949576S

(12) **United States Design Patent** (10) **Patent No.:** **US D949,576 S**
Zheng (45) **Date of Patent:** **** Apr. 26, 2022**

(54) **PICTURE FRAME**
(71) Applicant: **Liqin Zheng**, Xiamen (CN)
(72) Inventor: **Liqin Zheng**, Xiamen (CN)
(**) Term: **15 Years**
(21) Appl. No.: **29/753,095**
(22) Filed: **Sep. 30, 2020**
(51) **LOC (13) Cl.** **06-07**
(52) **U.S. Cl.**
USPC **D6/300**
(58) **Field of Classification Search**
USPC D6/300, 301, 302, 303, 304, 307, 308,
D6/309, 310, 311, 312, 313, 314;
D14/336, 341, 371, 372, 374, 381, 382,
D14/448, 450; D20/10, 27
CPC A47G 1/0616; A47G 1/142; A47G
2001/0694; A47G 1/06; A47G 1/0605;
A47G 1/0633; A47G 1/0638; A47G
1/0644; A47G 1/08; A47G 1/10; A47G
1/14; A47G 1/141; A47G 1/16; A47G
1/1606; A47G 1/1613; A47G 2001/0661;
A47G 2001/0672; A47G 2001/0688;
A47G 2001/148; G06F 1/1654
See application file for complete search history.

D751,831 S * 3/2016 Shay-Puetzer D6/314
D854,343 S * 7/2019 Altemimej D6/300
D908,371 S * 1/2021 Wang D6/300
D908,372 S * 1/2021 Wang D6/300
D909,767 S * 2/2021 Katz D6/300

OTHER PUBLICATIONS

Frametory 16x20 Picture Frame [online], [site visited Jan. 13, 2022]. Available from internet, URL: <<https://www.amazon.com/Frametory-16x20-Black-Picture-Frame/dp/B071WDD92N?th=1>> (Year: 2017).*
Basswood frame with dovetail key [online], [site visited Jan. 13, 2022]. Available from internet, URL: <<https://www.pinterest.com/pin/204984220528226810/>> (Year: 2022).*

* cited by examiner

Primary Examiner — Cynthia Ramirez
Assistant Examiner — Xavier Marti-Santos

(57) **CLAIM**

The ornamental design for a picture frame, as shown and described.

DESCRIPTION

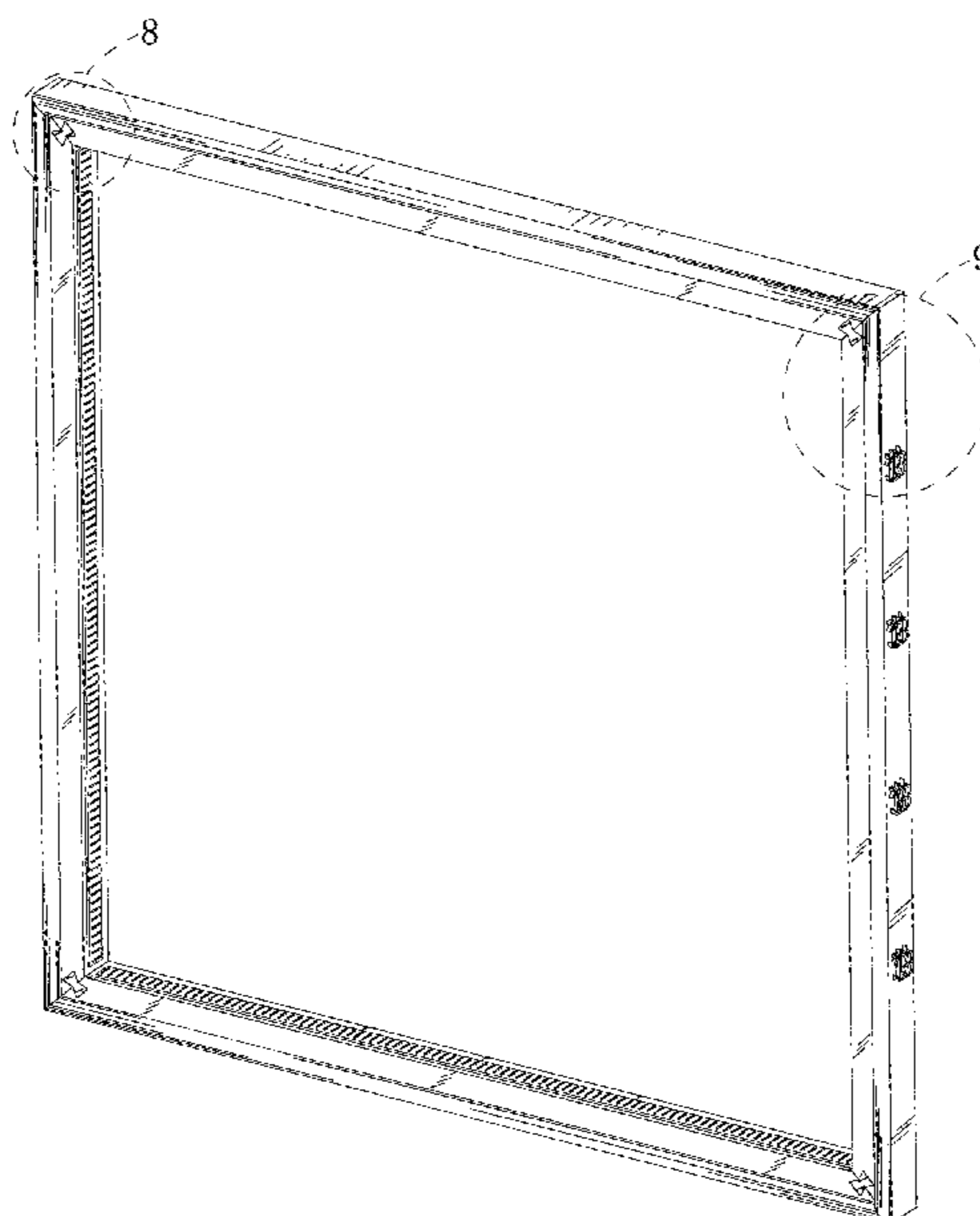
FIG. 1 is a perspective view showing a picture frame showing my new design;
FIG. 2 is a front view thereof;
FIG. 3 is a back view thereof;
FIG. 4 is a left side view thereof;
FIG. 5 is a right side view thereof;
FIG. 6 is a top plan view thereof;
FIG. 7 is a bottom plan view thereof;
FIG. 8 is an enlarged partial view showing of an upper left corner portion of FIG. 1; and,
FIG. 9 is an enlarged partial view showing of an upper right corner portion of FIG. 1.
The broken lines in the figures are demarcating enlarged areas and form no part of the claimed design.

1 Claim, 9 Drawing Sheets

(56) **References Cited**

U.S. PATENT DOCUMENTS

3,946,511 A * 3/1976 Wiener, Jr. A47G 1/0611
40/784
D358,037 S * 5/1995 Monroe D6/300
D415,355 S * 10/1999 Lewis D6/300
D433,573 S * 11/2000 Rochon D6/308
D480,221 S * 10/2003 Luciano D6/300
D542,543 S * 5/2007 Bruce D6/300
RE43,634 E * 9/2012 Mischel, Jr. D6/308
D719,744 S * 12/2014 Plumbo D6/300



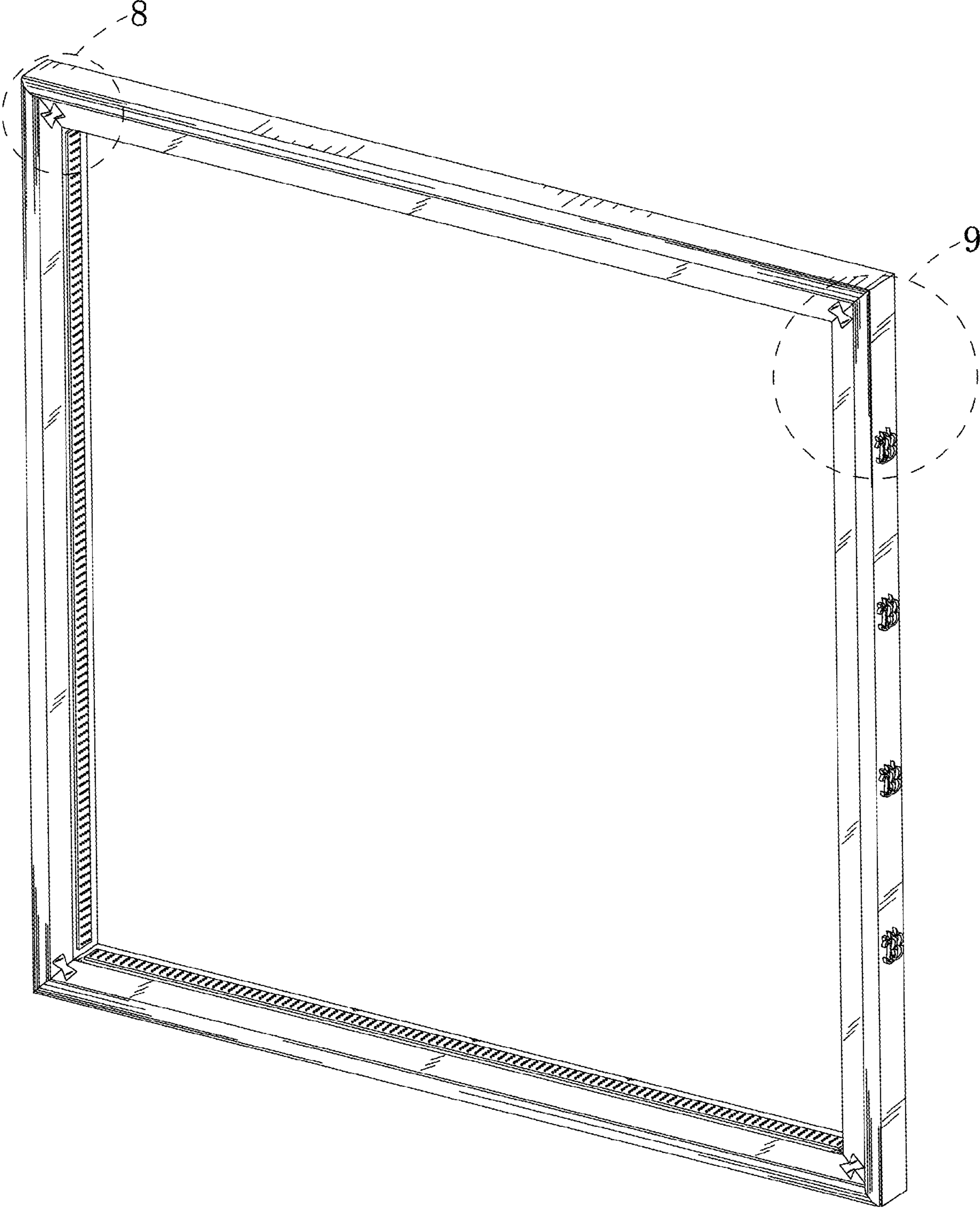


FIG.1

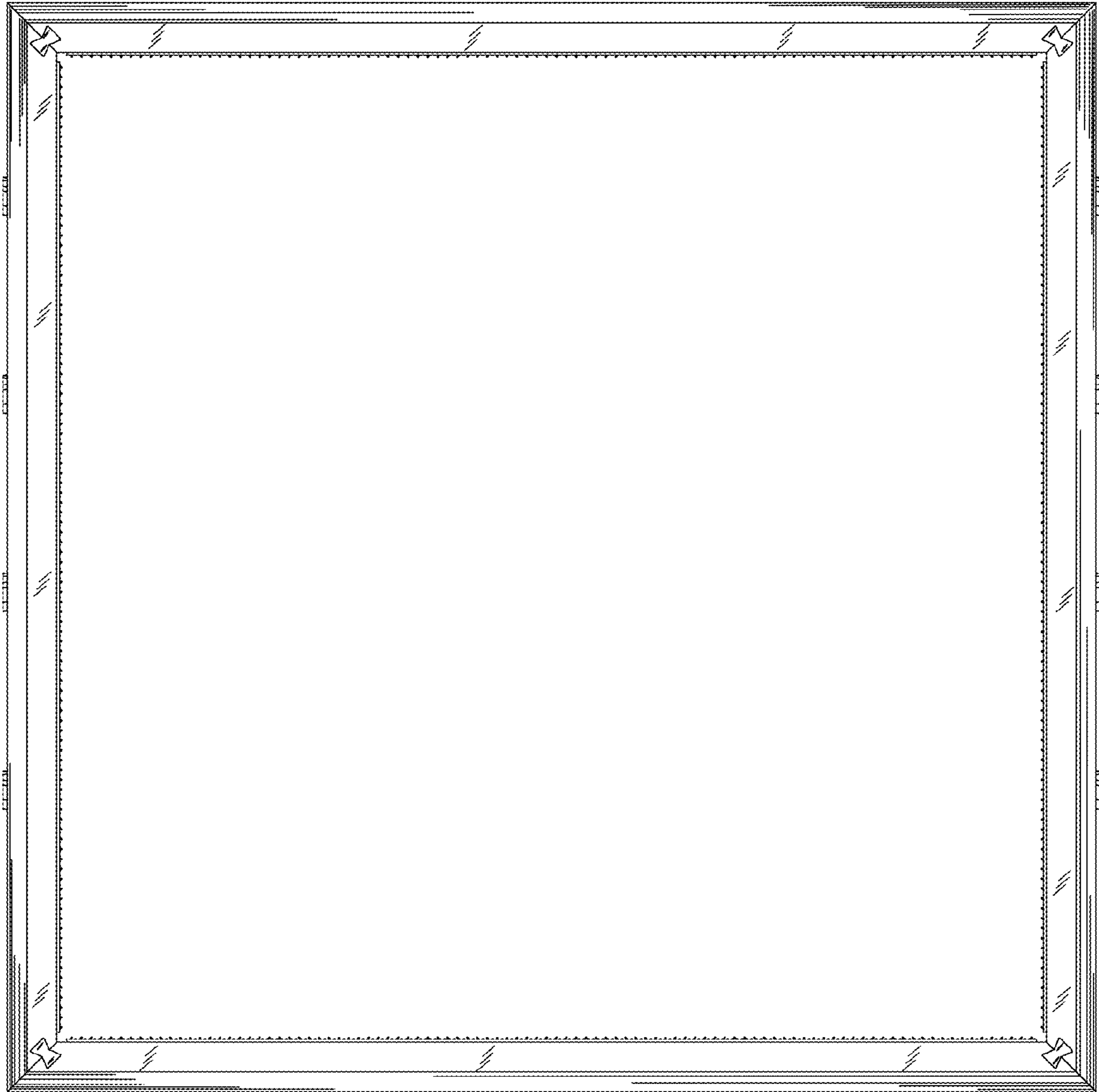


FIG.2

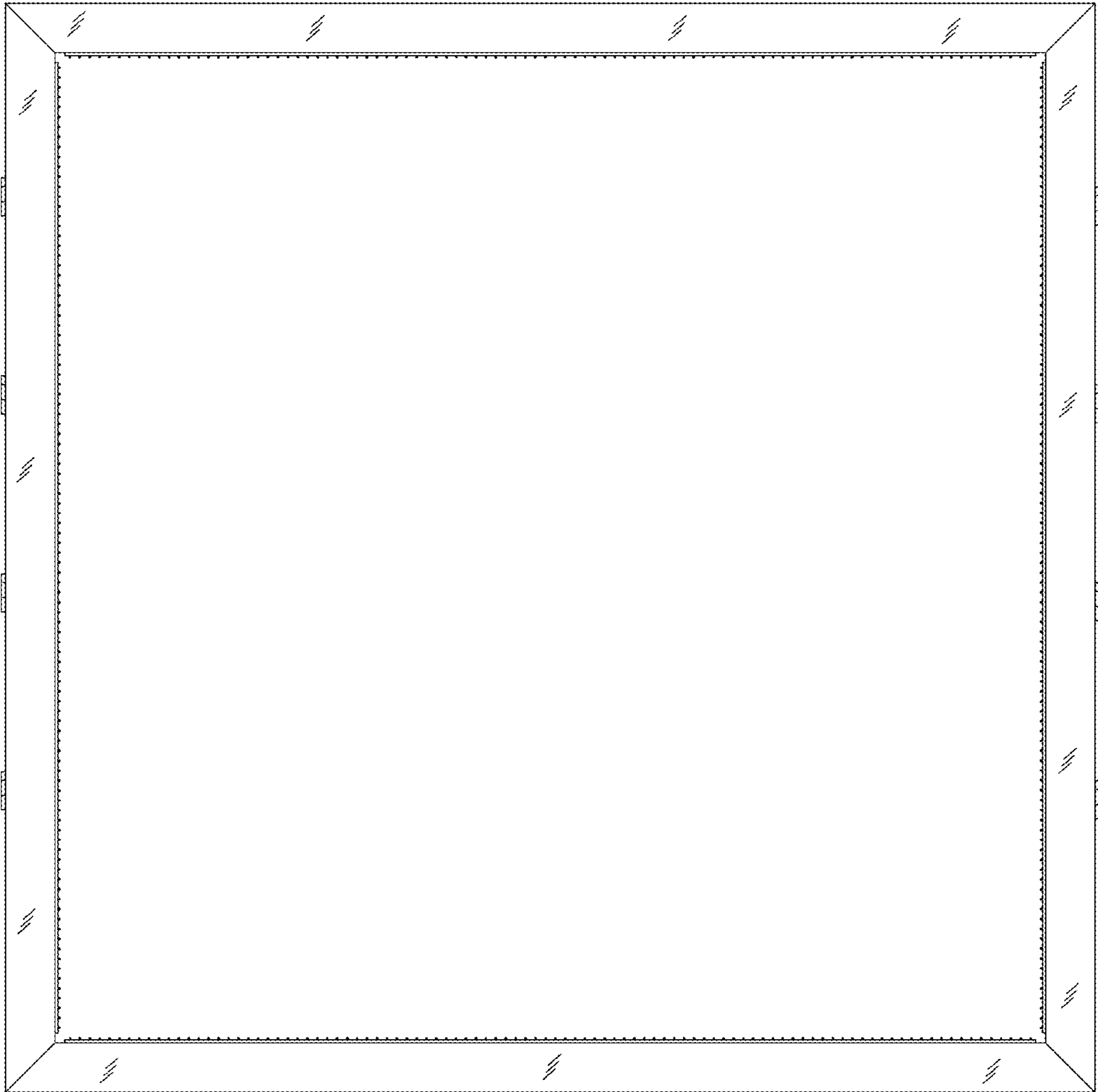


FIG.3

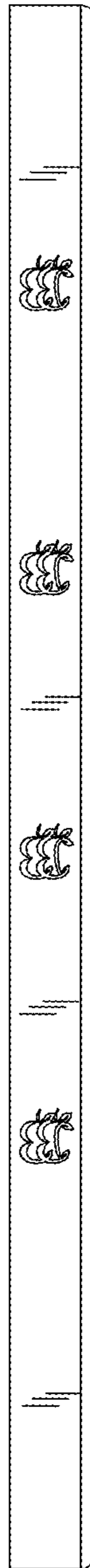


FIG.4

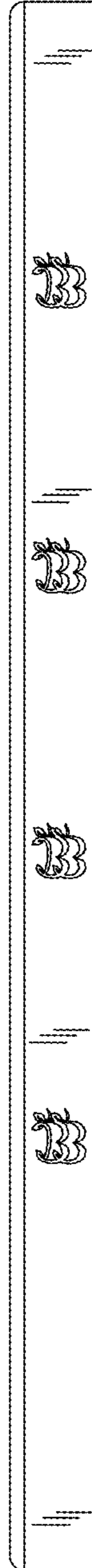


FIG.5

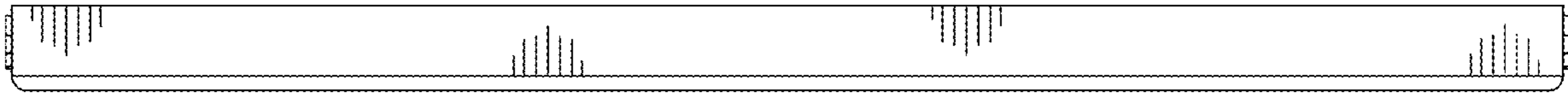


FIG.6

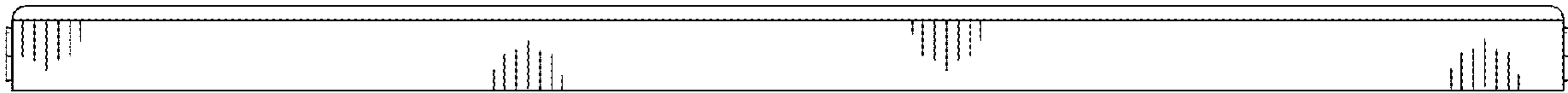


FIG.7

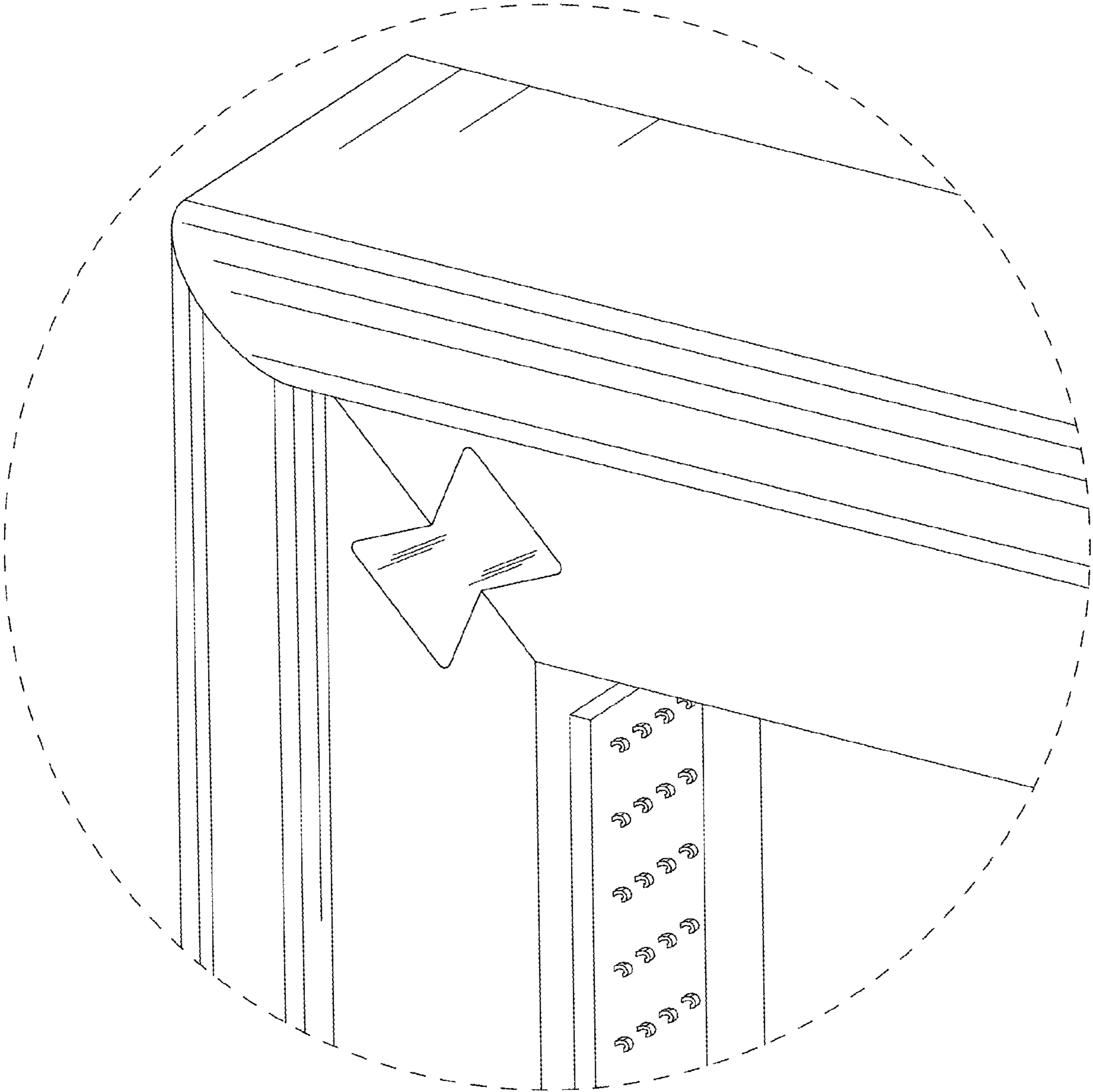


FIG.8

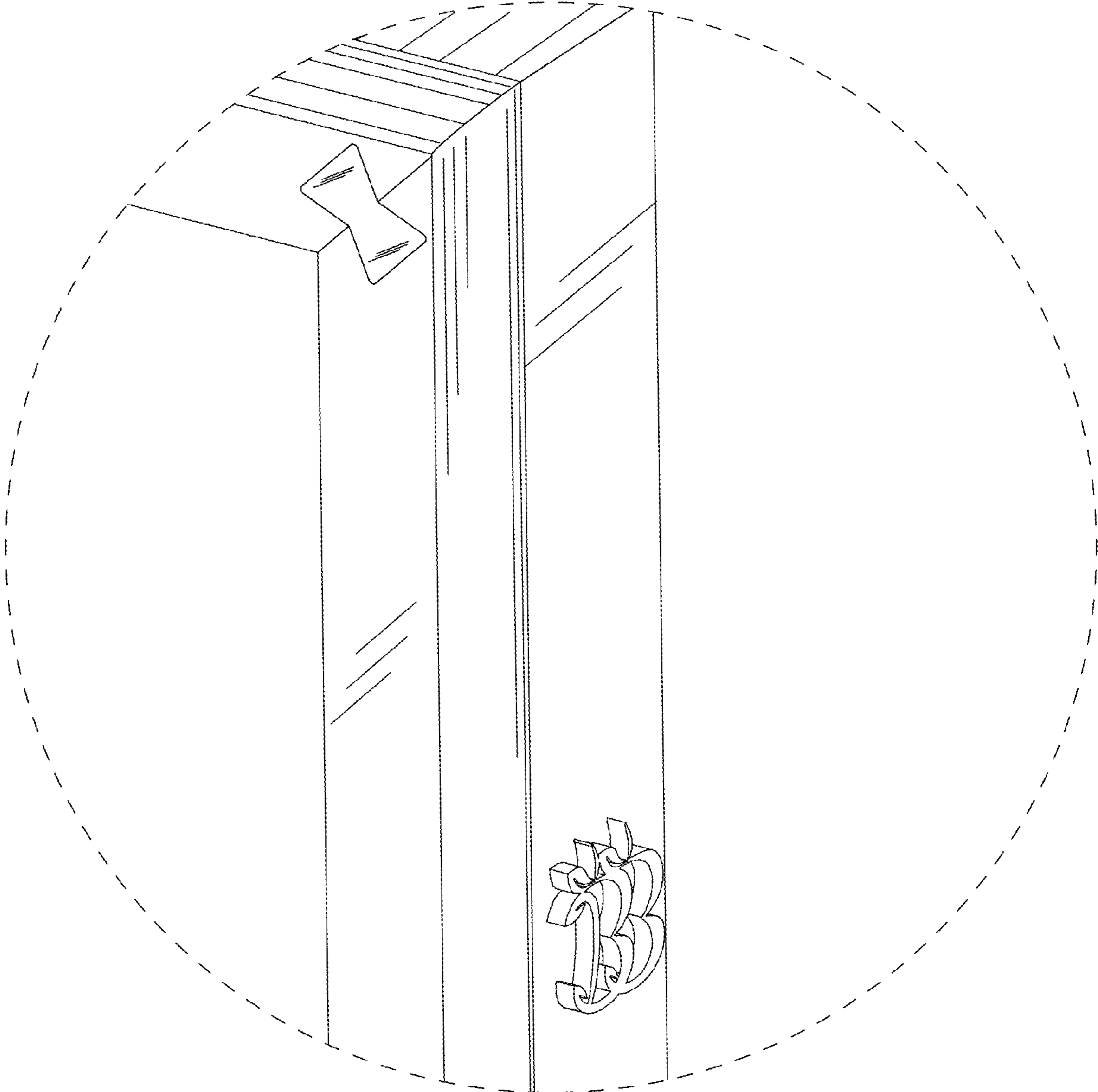


FIG.9