



US00D949574S

(12) **United States Design Patent**
Zhang

(10) **Patent No.:** **US D949,574 S**

(45) **Date of Patent:** **** Apr. 26, 2022**

(54) **HANDLE OF BRUSH**

(71) Applicant: **Foshan Yongmin Brush Co., LTD,**
Foshan (CN)

(72) Inventor: **Bin Zhang,** Foshan (CN)

(73) Assignee: **FOSHAN YONGMIN BRUSH CO., LTD.,** Foshan (CN)

(**) Term: **15 Years**

(21) Appl. No.: **29/736,050**

(22) Filed: **May 27, 2020**

(30) **Foreign Application Priority Data**

Feb. 18, 2020 (CN) 202030053546.X

(51) **LOC (13) Cl.** **04-99**

(52) **U.S. Cl.**
USPC **D4/138**

(58) **Field of Classification Search**
USPC D4/100-139; D8/80, 83; D28/7;
D30/158, 159; D7/688; D19/115, 116,
D19/117, 120

(Continued)

(56) **References Cited**

U.S. PATENT DOCUMENTS

D346,946 S * 5/1994 Berti D8/107
D495,198 S * 8/2004 Gonzalez D7/395

(Continued)

Primary Examiner — George A Bugg

Assistant Examiner — Tamara L Hahn

(74) *Attorney, Agent, or Firm* — James L. Young;

Westman, Champlin & Koehler, P.A.

(57) **CLAIM**

The ornamental design for a handle of brush, as shown and described.

DESCRIPTION

FIG. 1 is a top, front and left perspective view of a first component of a handle of brush as shown in FIGS. 17-25, to show detail when separated;

FIG. 2 is a bottom, rear and right side perspective view thereof;

FIG. 3 is a front elevational view thereof;

FIG. 4 is a rear elevational view thereof;

FIG. 5 is a left side elevational view thereof;

FIG. 6 is a right side elevational view thereof;

FIG. 7 a bottom plan view thereof;

FIG. 8 is a top plan view thereof;

FIG. 9 is a top, front and left side perspective view of a second component of the handle of brush as shown in FIGS. 17-25, to show detail when separated;

FIG. 10 is bottom, rear and right side perspective view thereof;

FIG. 11 is a front elevational view thereof;

FIG. 12 is a rear elevational view thereof;

FIG. 13 is a left side elevational view thereof;

FIG. 14 is a right side elevational view thereof;

FIG. 15 a bottom plan view thereof;

FIG. 16 is a top plan view thereof;

FIG. 17 is a bottom, front and right side perspective view of a handle of brush showing our new design;

FIG. 18 is a top, rear and left side perspective view thereof;

FIG. 19 is a front elevational view thereof;

FIG. 20 is a rear elevational view thereof;

FIG. 21 is a left side elevational view thereof;

FIG. 22 is a right side elevational view thereof;

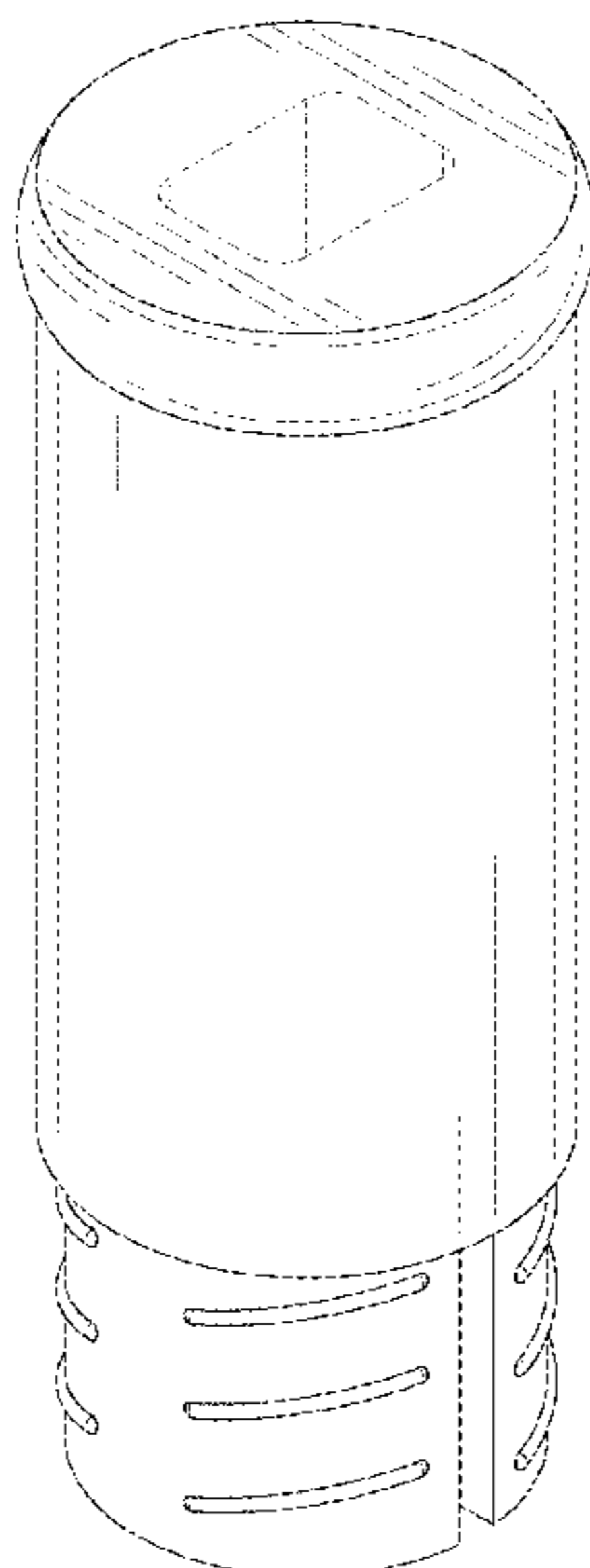
FIG. 23 is a top plan view thereof;

FIG. 24 is a bottom plan view thereof; and,

FIG. 25 is a top, front and left side exploded view thereof.

The broken lines shown in the drawings represent portions of the handle of brush that form no part of the claimed design.

1 Claim, 25 Drawing Sheets



(58) **Field of Classification Search**

CPC A46B 2200/1046; A46B 2200/1093; A46B
5/0095

See application file for complete search history.

(56) **References Cited**

U.S. PATENT DOCUMENTS

D698,112 S *	1/2014	Molinet	D32/51
D876,840 S *	3/2020	Wiener	D4/114
D891,118 S *	7/2020	Neumann	D4/122
D910,369 S *	2/2021	Kim	D7/395
11,000,116 B2 *	5/2021	Bishop	A46B 9/065
D926,380 S *	7/2021	Wolfe	D28/76
2011/0210039 A1 *	9/2011	Alongi	B65D 25/525 206/581

* cited by examiner

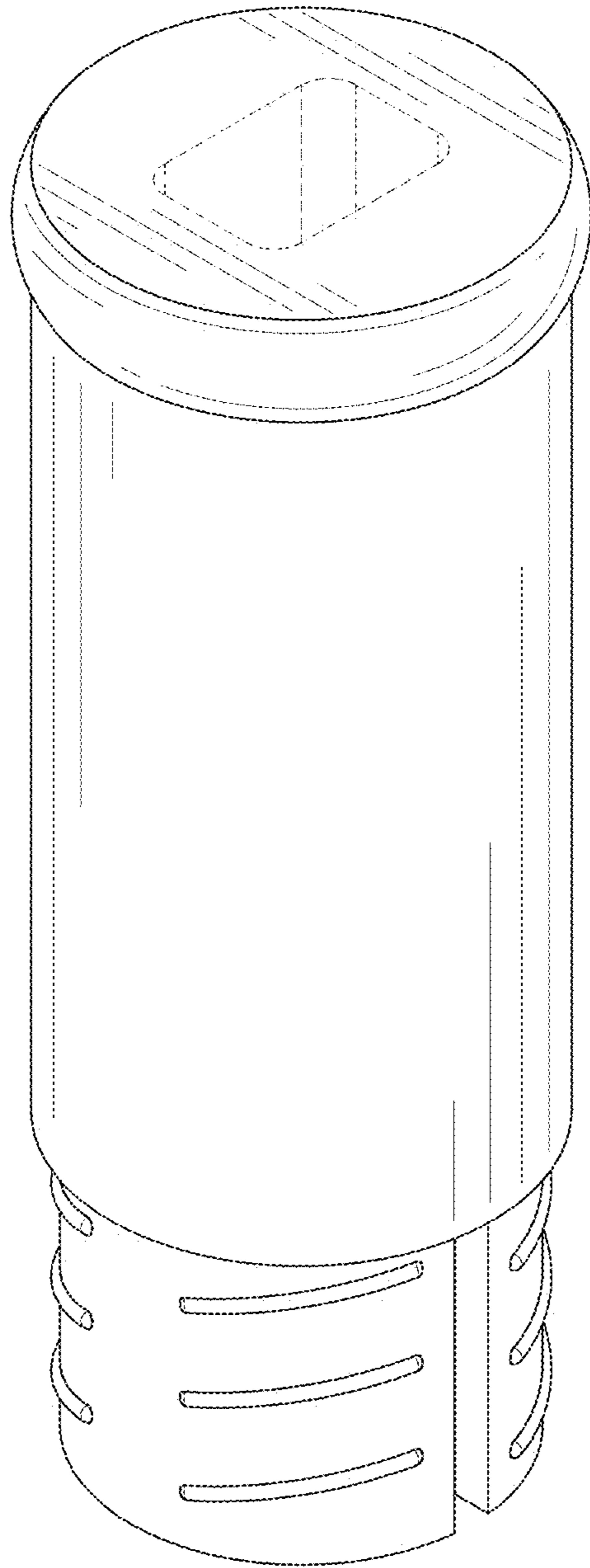


FIG. 1

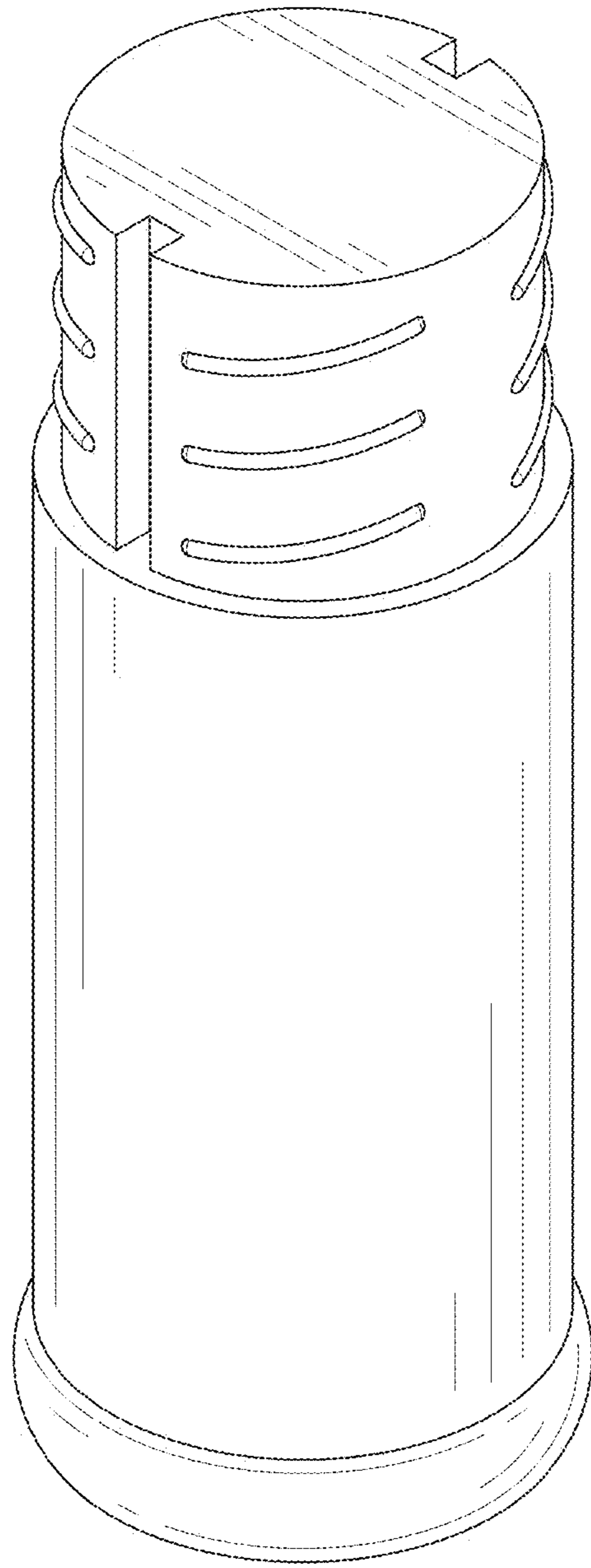


FIG. 2

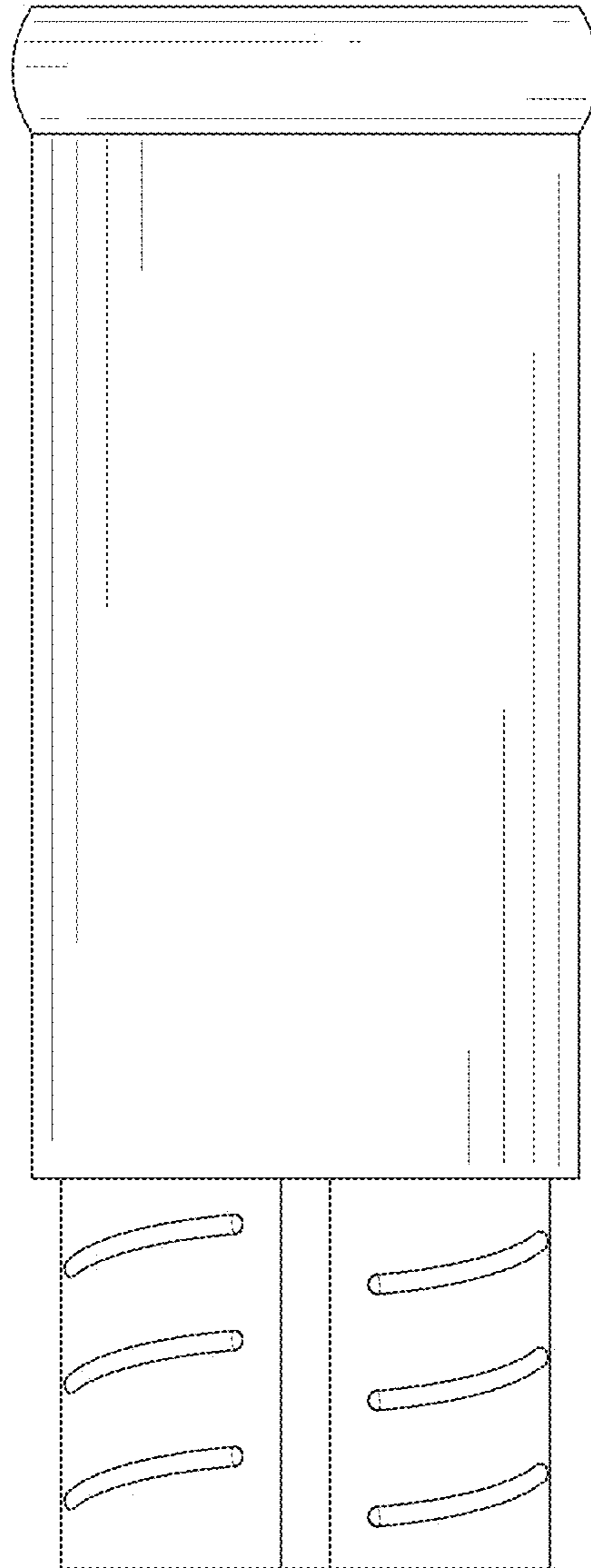


FIG. 3

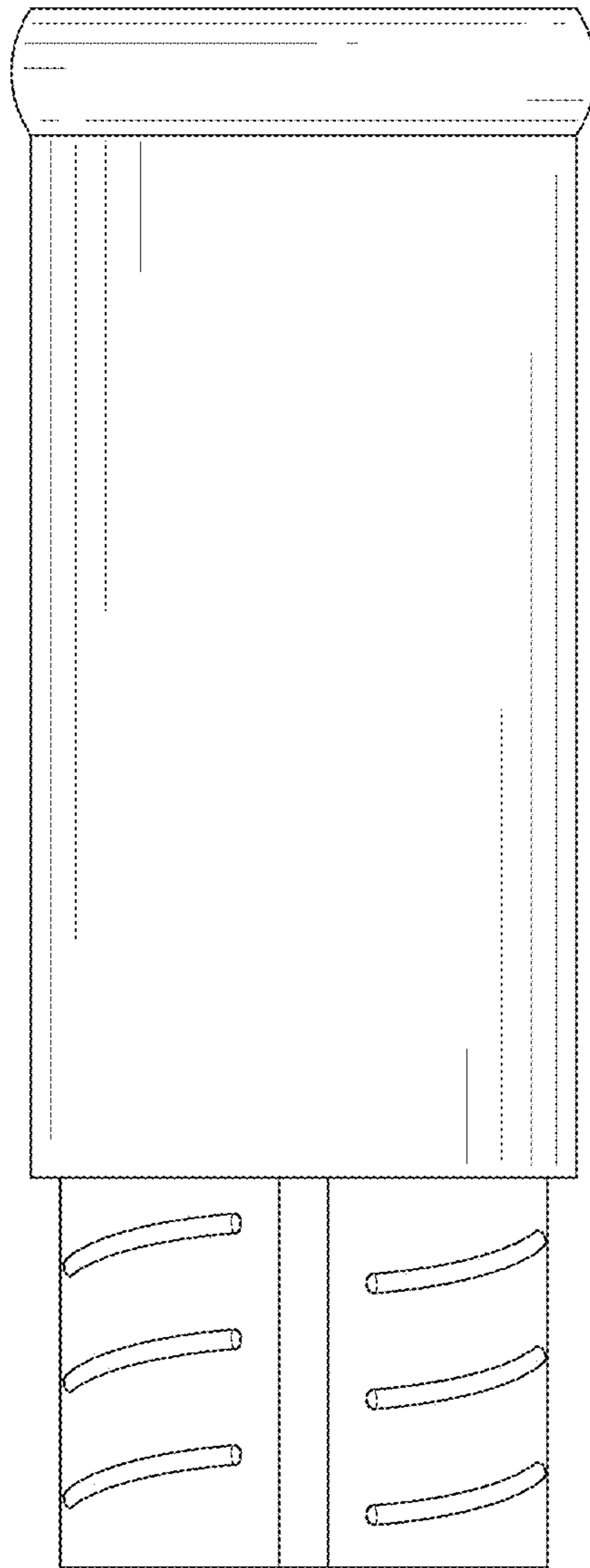


FIG. 4

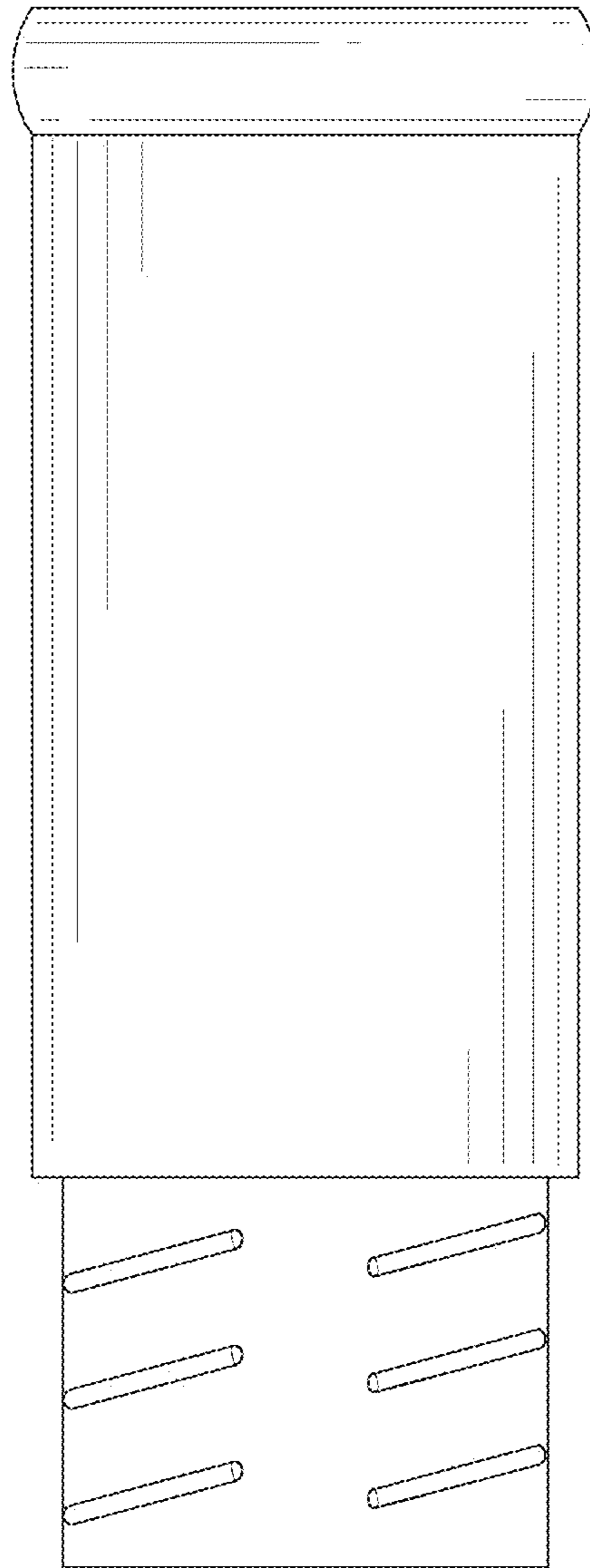


FIG. 5

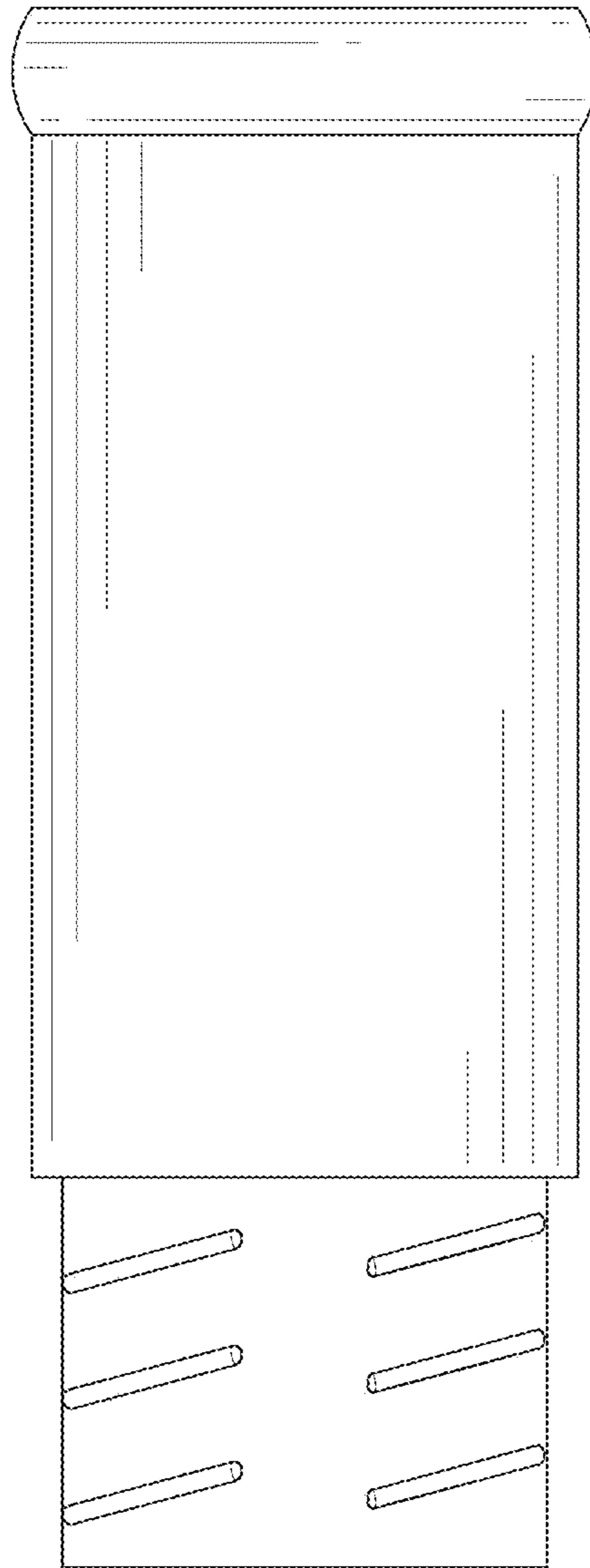


FIG. 6

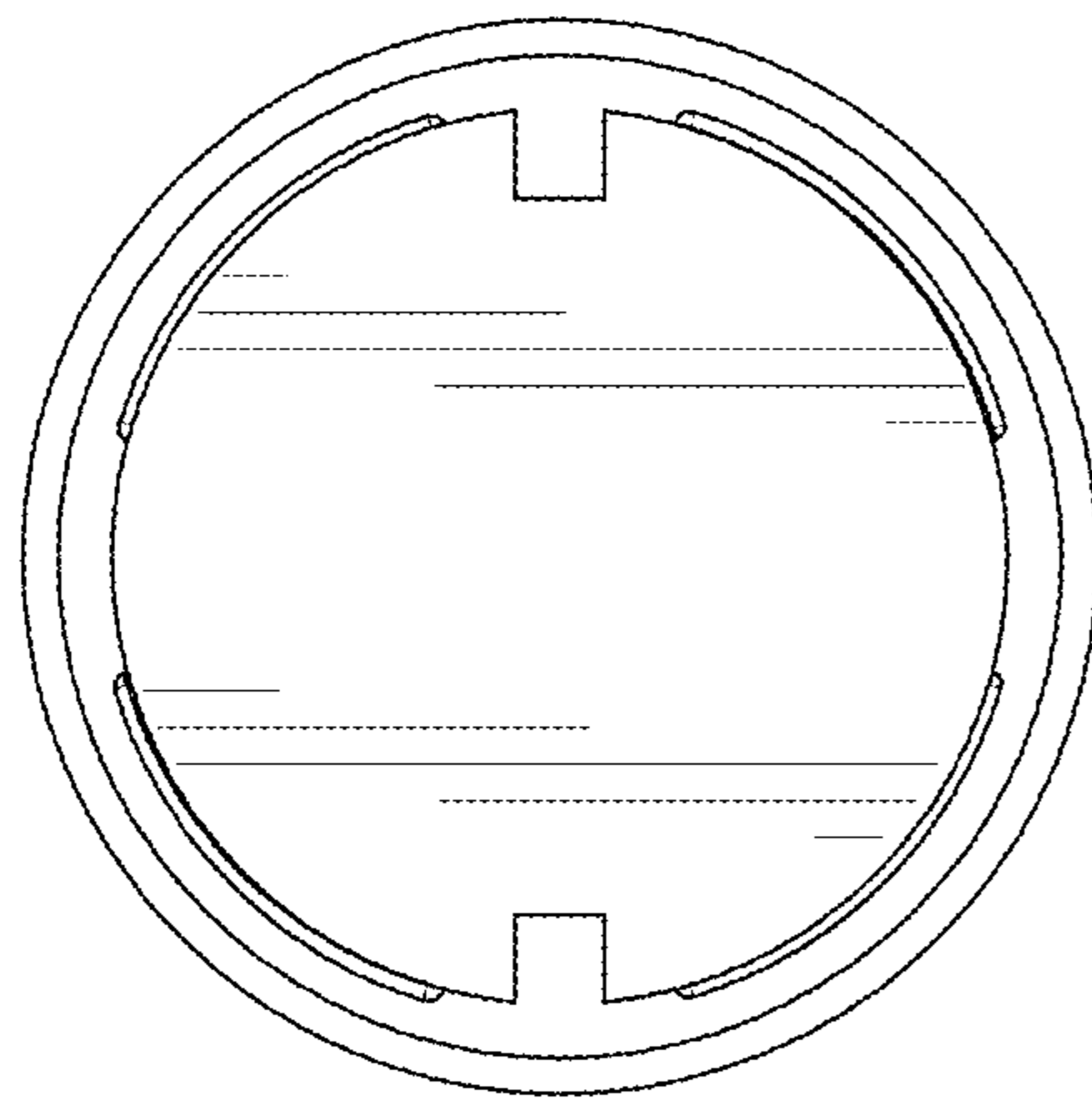


FIG. 7

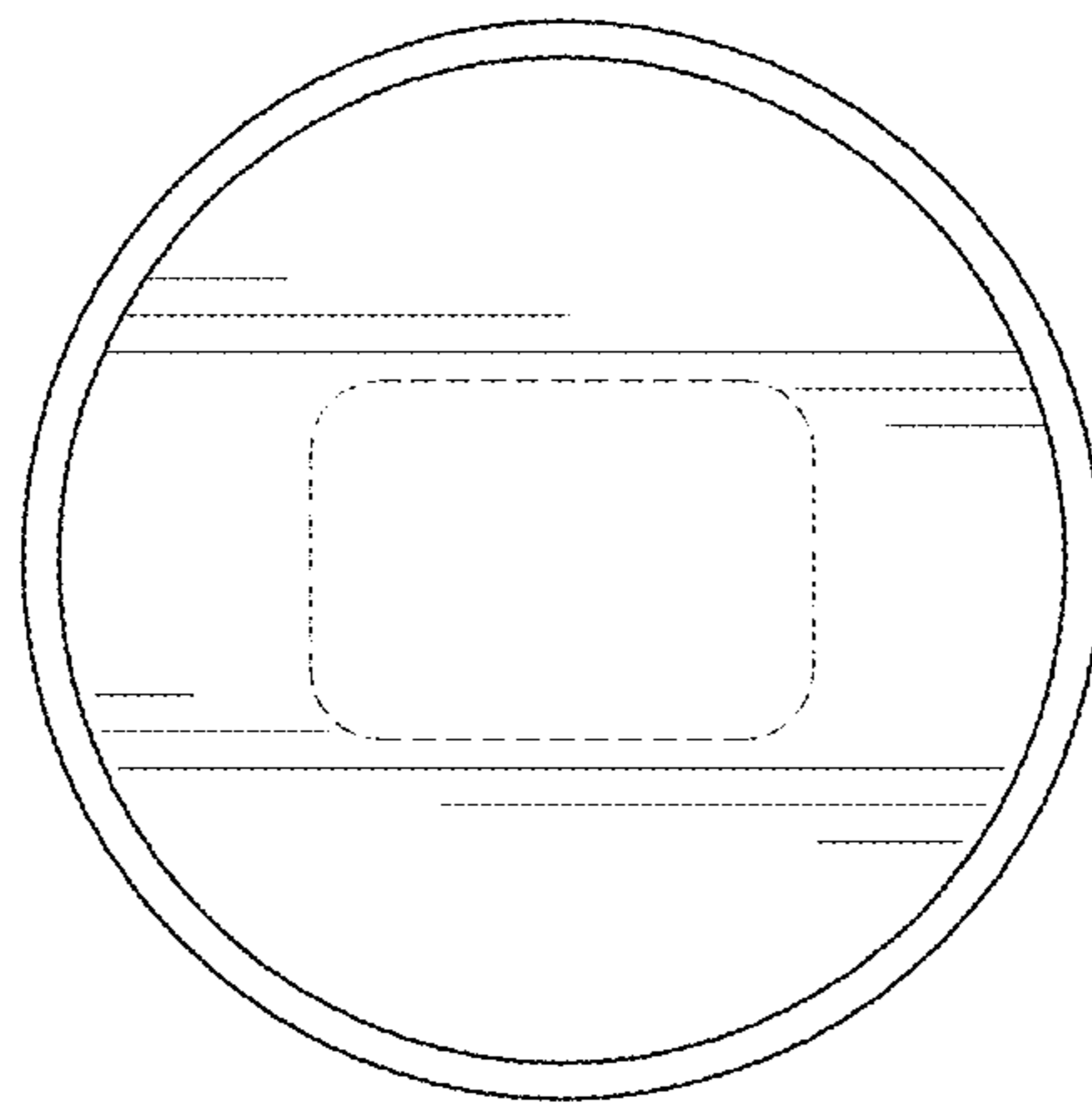


FIG. 8

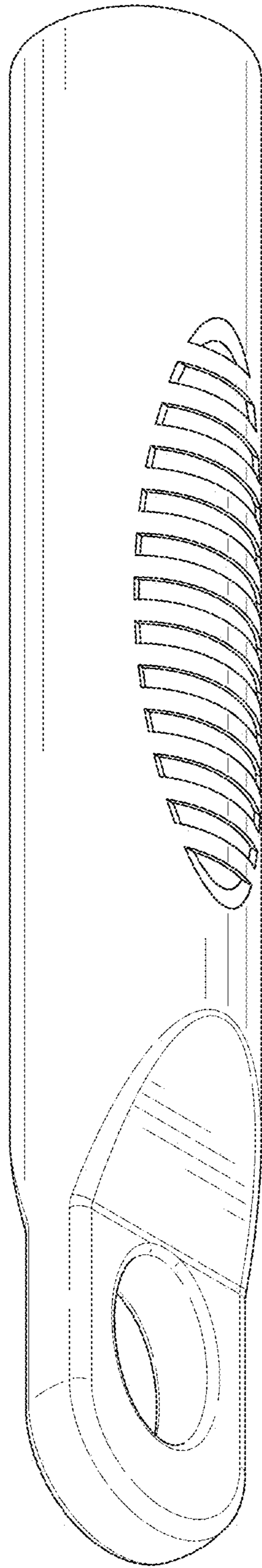


FIG. 9

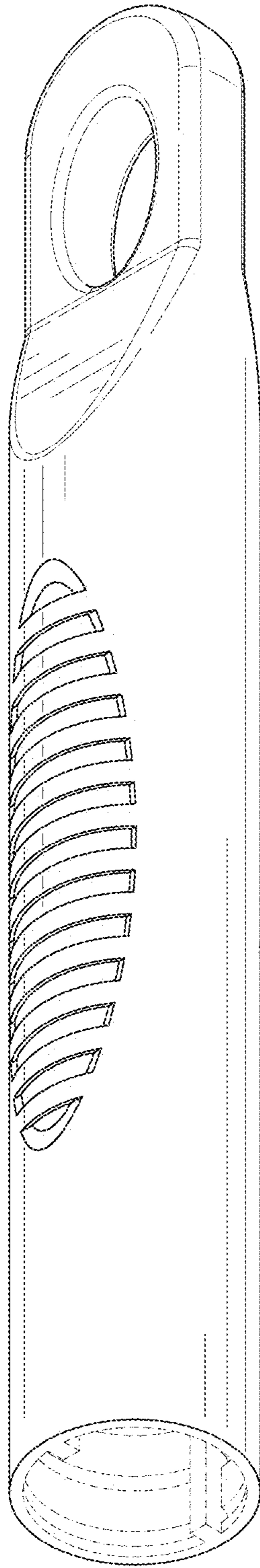


FIG. 10

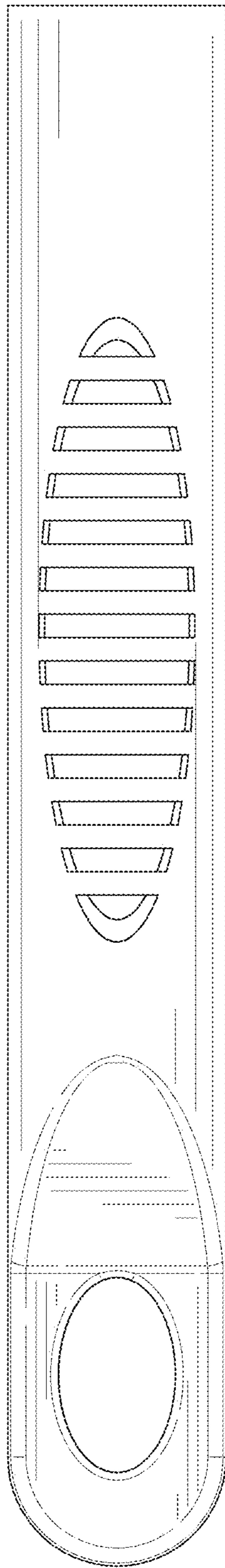


FIG. 11

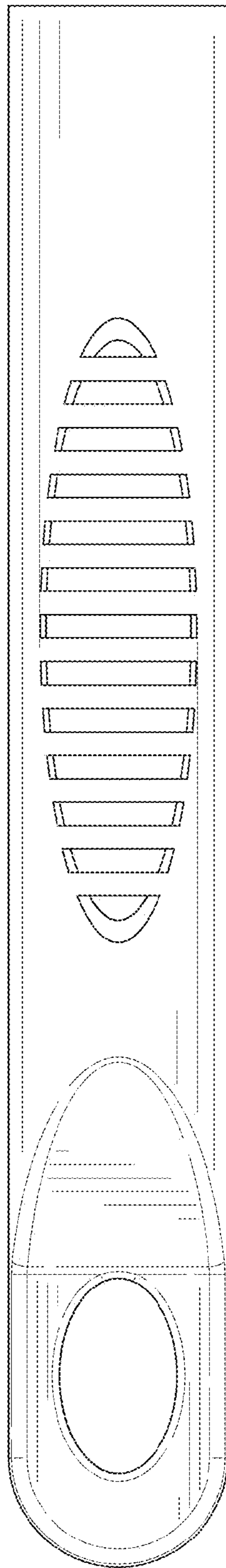


FIG. 12

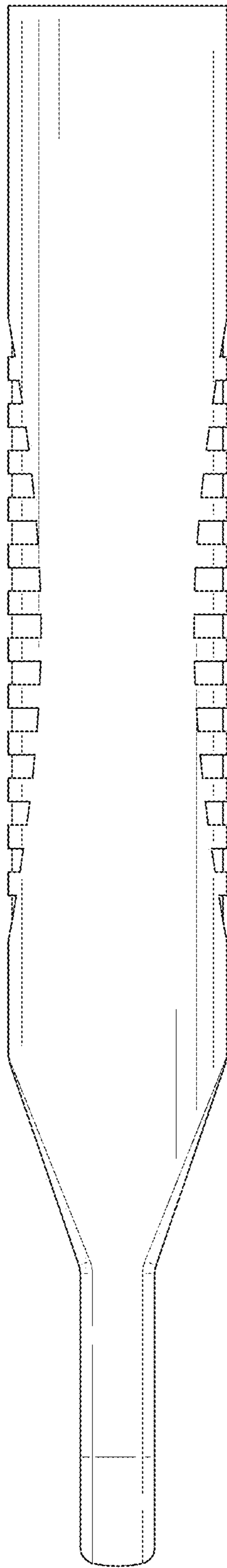


FIG. 13

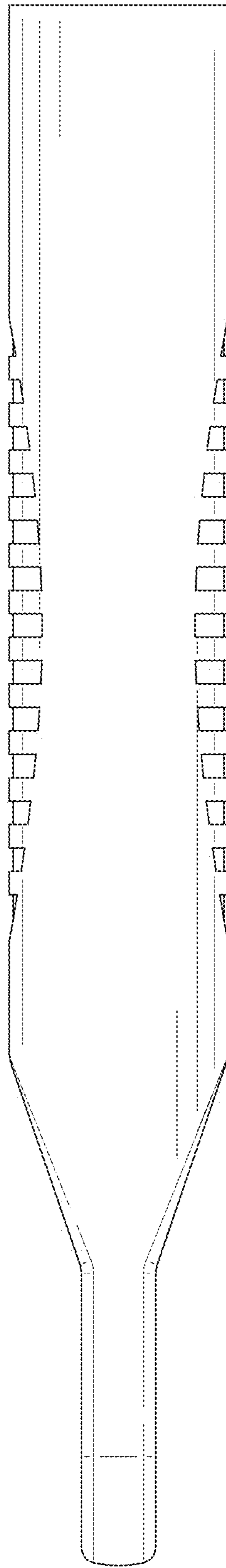


FIG. 14

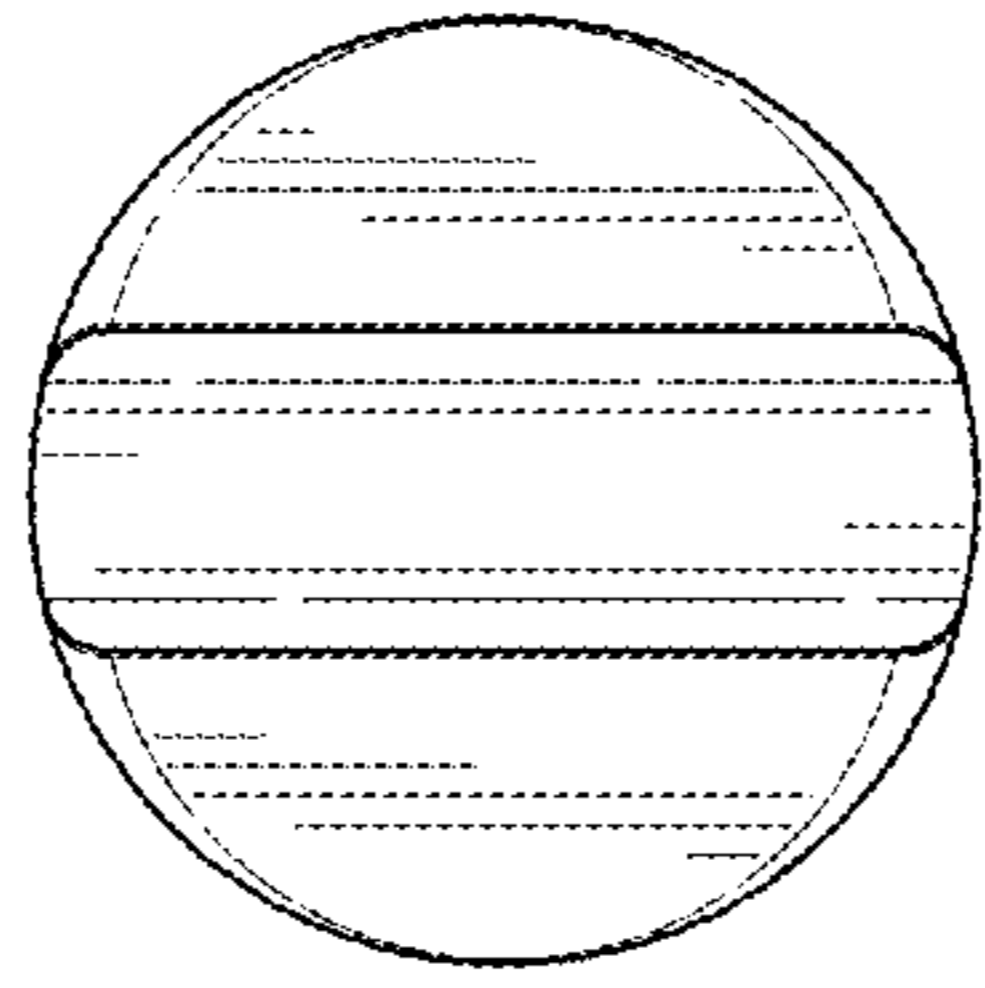


FIG. 15

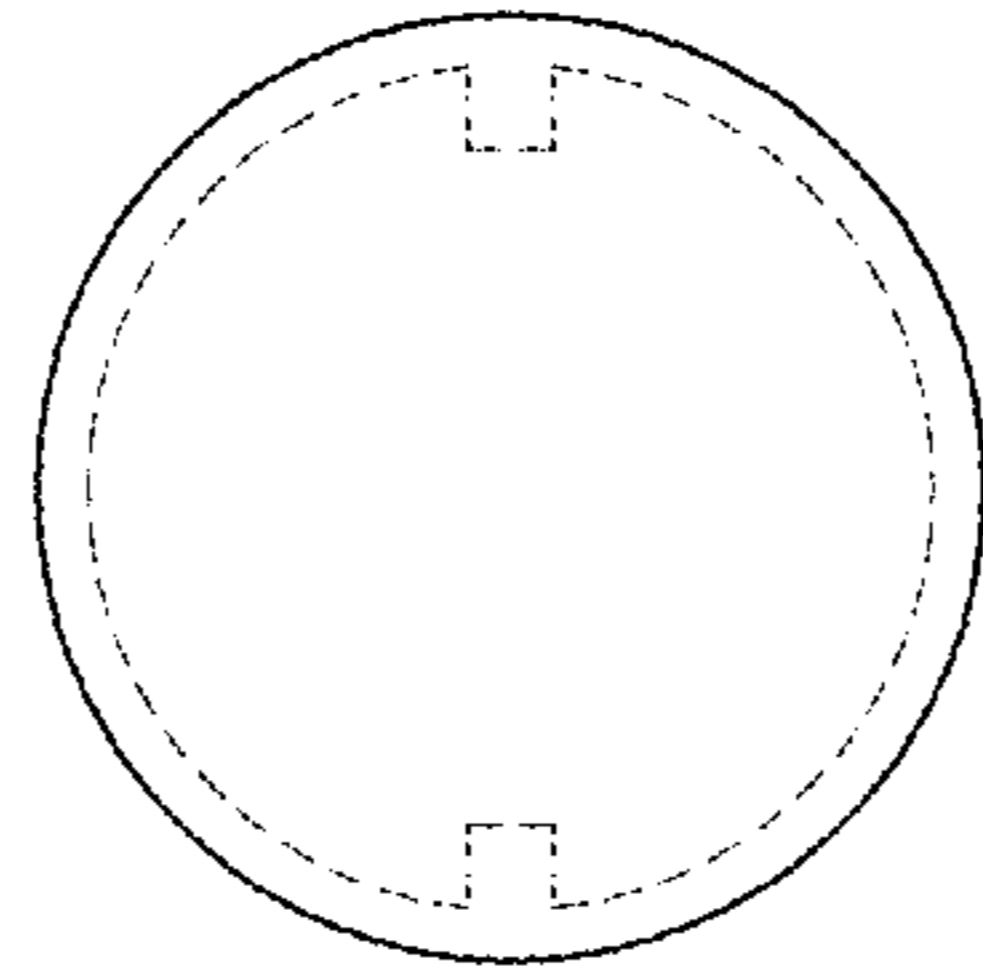


FIG. 16

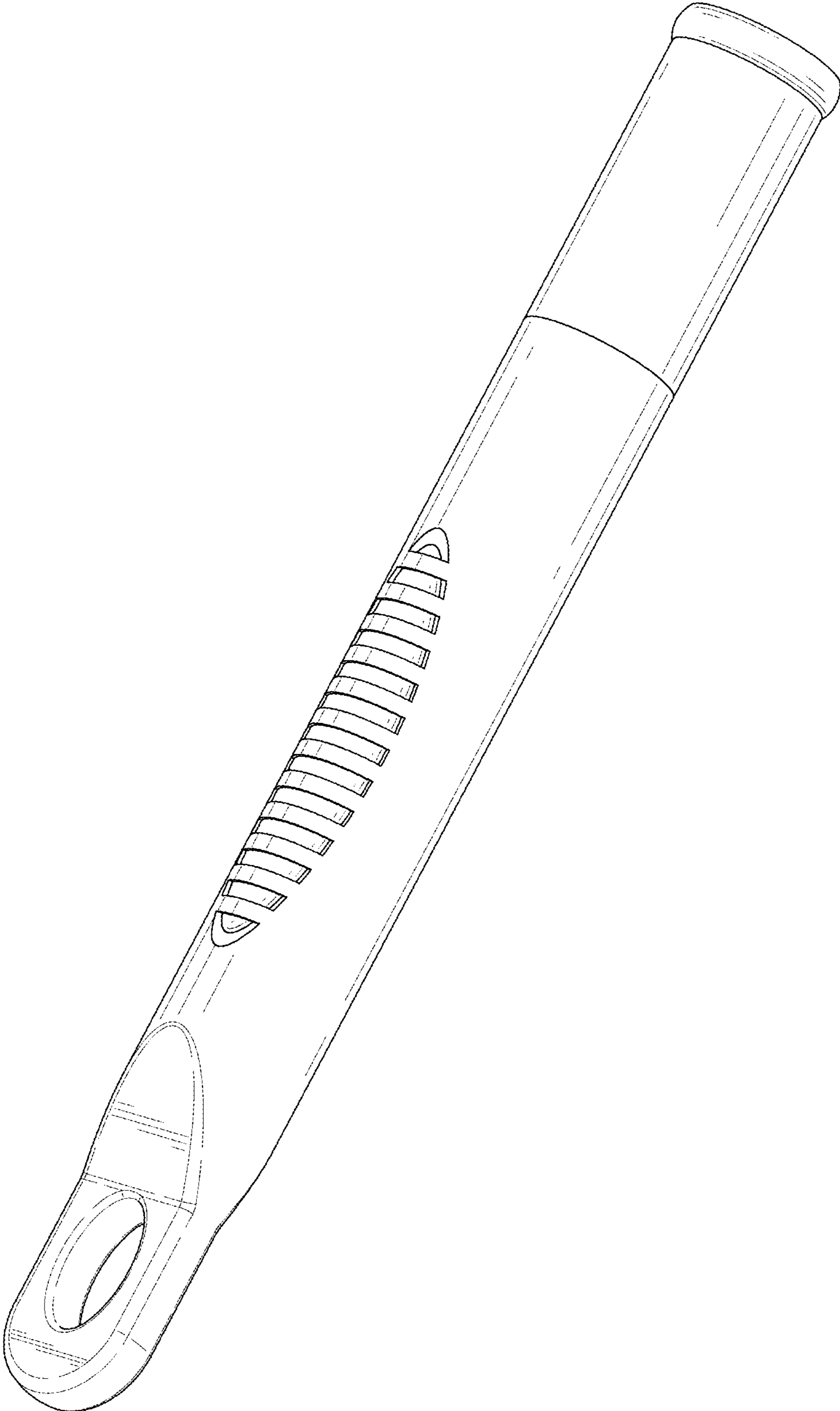


FIG. 17

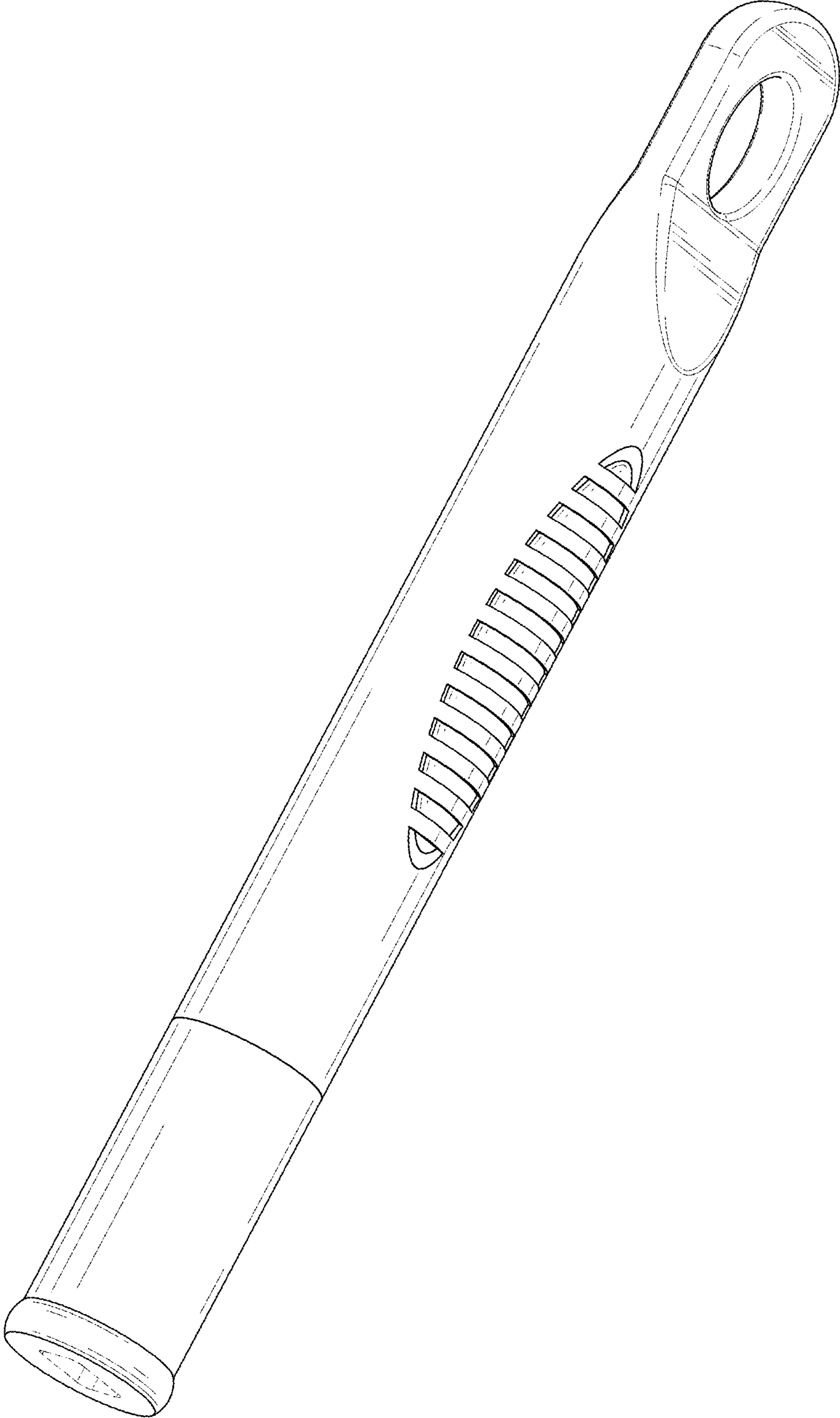


FIG. 18

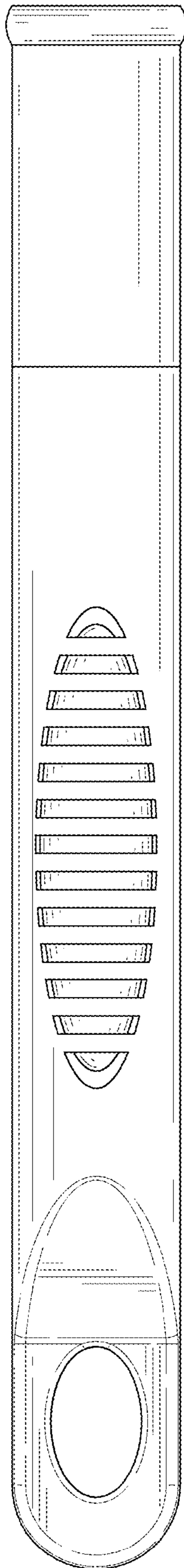


FIG. 19

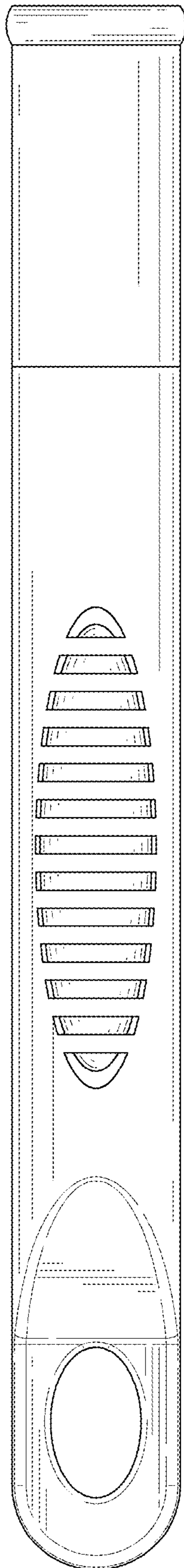


FIG. 20

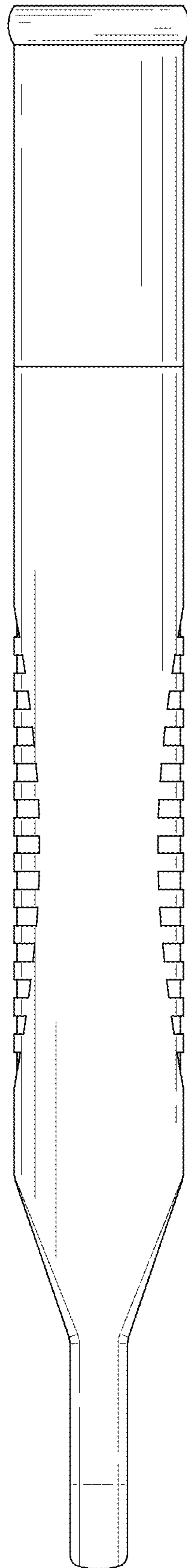


FIG. 21

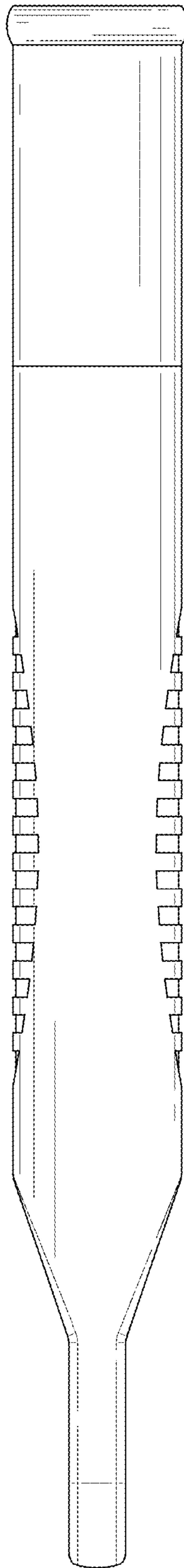


FIG. 22

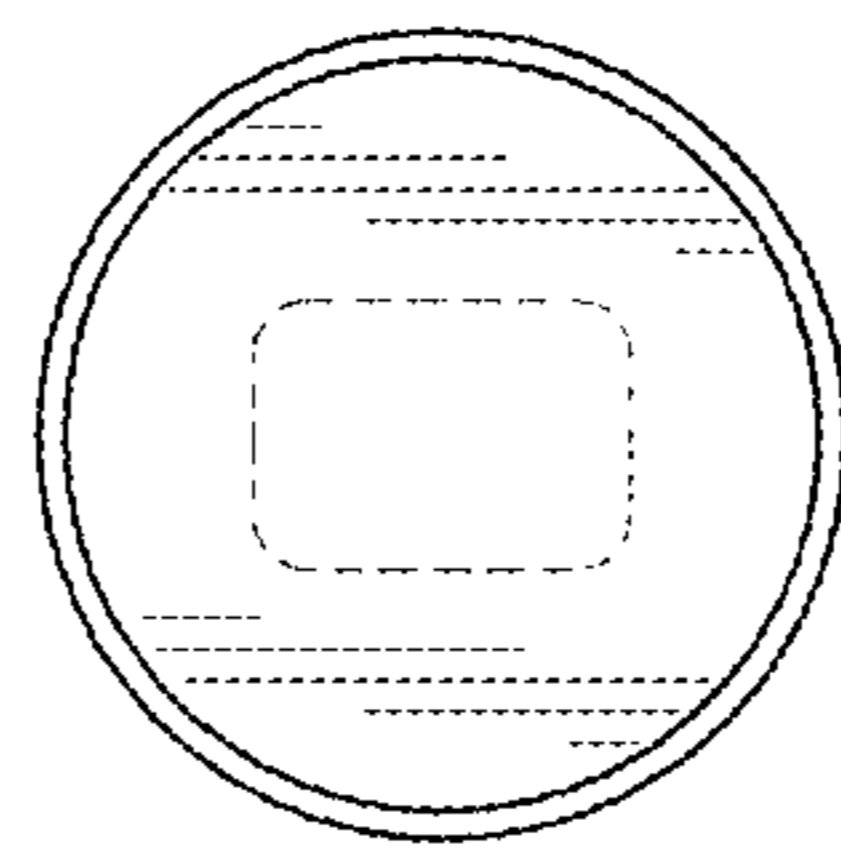


FIG. 23

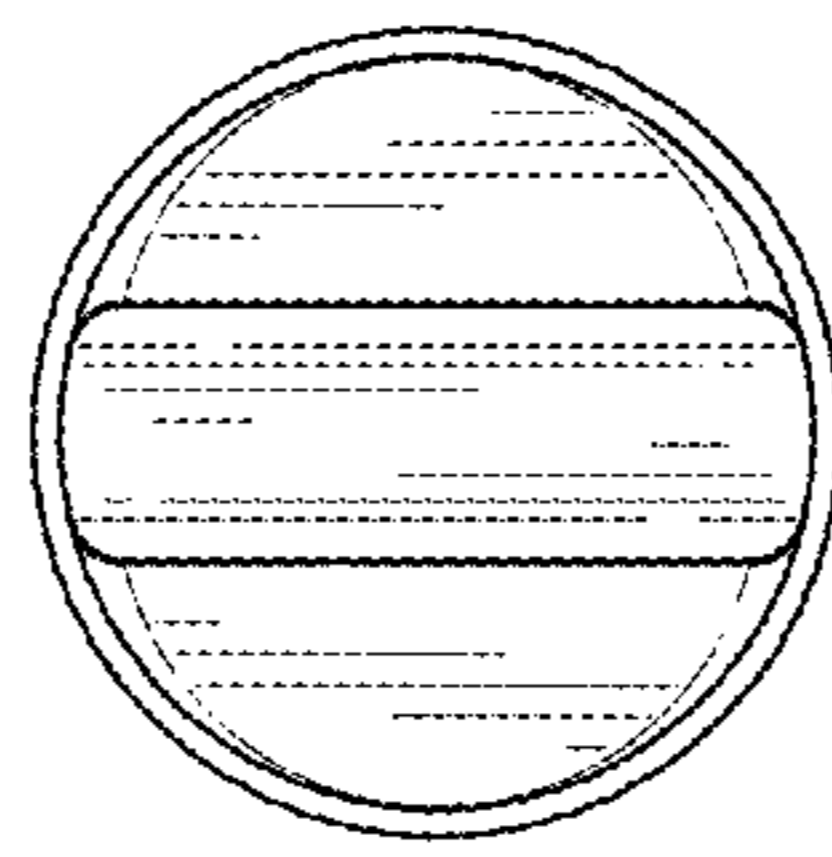


FIG. 24

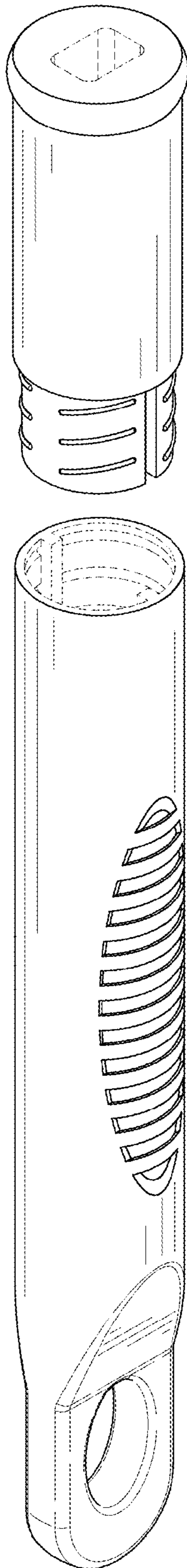


FIG. 25