



US00D949571S

(12) **United States Design Patent**  
**Zhang**

(10) **Patent No.:** **US D949,571 S**  
(45) **Date of Patent:** **\*\* Apr. 26, 2022**

(54) **FACIAL CLEANING BRUSH**

(71) Applicant: **Suying Zhang**, Zhoukou (CN)

(72) Inventor: **Suying Zhang**, Zhoukou (CN)

(\*\*) Term: **15 Years**

(21) Appl. No.: **29/782,704**

(22) Filed: **May 8, 2021**

(51) **LOC (13) Cl.** ..... **28-03**

(52) **U.S. Cl.**  
USPC ..... **D4/100; D4/127; D4/134**

(58) **Field of Classification Search**  
USPC ..... D4/119, 120, 121, 127, 128, 130, 132,  
D4/133, 134, 135, 136, 138, 199;  
D32/49; D24/211, 214, 215; D28/63  
CPC ..... A46B 2200/10; A46B 2200/1006; A46B  
2200/102; A46B 13/08; A46D 1/0238  
See application file for complete search history.

(56) **References Cited**

**U.S. PATENT DOCUMENTS**

D424,747 S \* 5/2000 Chen ..... D28/7  
D774,772 S \* 12/2016 Sedic ..... D4/101  
D819,338 S 6/2018 Xiong  
D883,575 S \* 5/2020 Liu ..... D28/63  
D885,063 S 5/2020 Xiong  
D910,314 S \* 2/2021 Alexander ..... D4/102

D912,991 S \* 3/2021 Luo ..... D4/102  
2015/0257520 A1 \* 9/2015 Stoerckel ..... A46D 1/02  
15/104.93  
2016/0135582 A1 \* 5/2016 Yen ..... A46B 13/008  
15/22.1

**FOREIGN PATENT DOCUMENTS**

CN 306135668 \* 10/2020

\* cited by examiner

*Primary Examiner* — Karen E Eldridge Powers

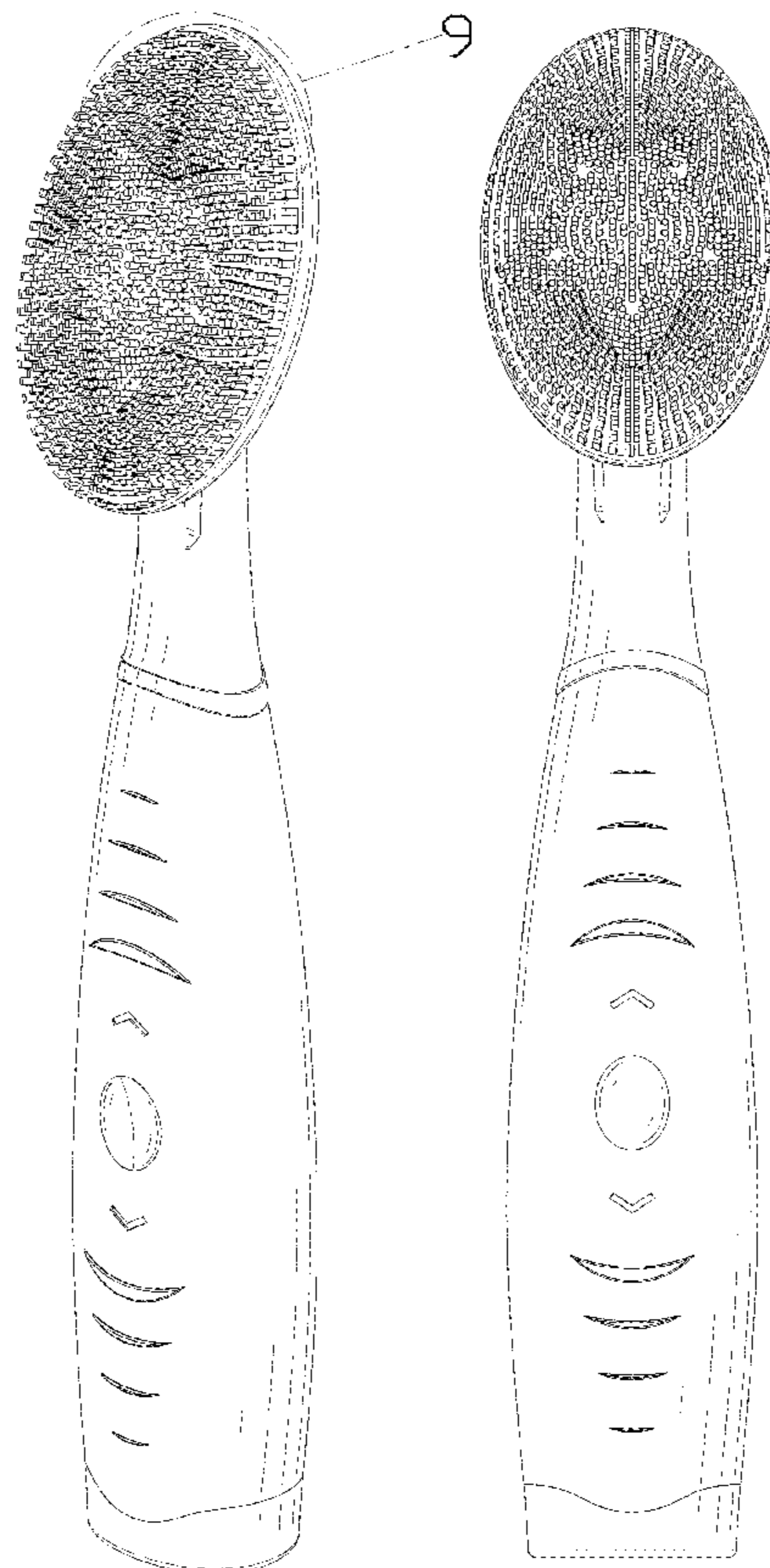
(57) **CLAIM**

The ornamental design for a facial cleaning brush, as shown and described.

**DESCRIPTION**

FIG. 1 is a top, rear and right side perspective view of a facial cleaning brush showing my new design;  
FIG. 2 is bottom, front and left side perspective view thereof;  
FIG. 3 is a front elevational view thereof;  
FIG. 4 is a rear elevational view thereof;  
FIG. 5 is a left side elevational view thereof;  
FIG. 6 is a right side elevational view thereof;  
FIG. 7 is a top plan view thereof;  
FIG. 8 is a bottom plan view thereof; and,  
FIG. 9 is an enlarged view of portion 9 shown in FIG. 1. The long-short-long dashed lines showing the bounds of the detail view (FIG. 9) and the portion of FIG. 1 from which it was extracted, form no part of the claimed design.

**1 Claim, 9 Drawing Sheets**



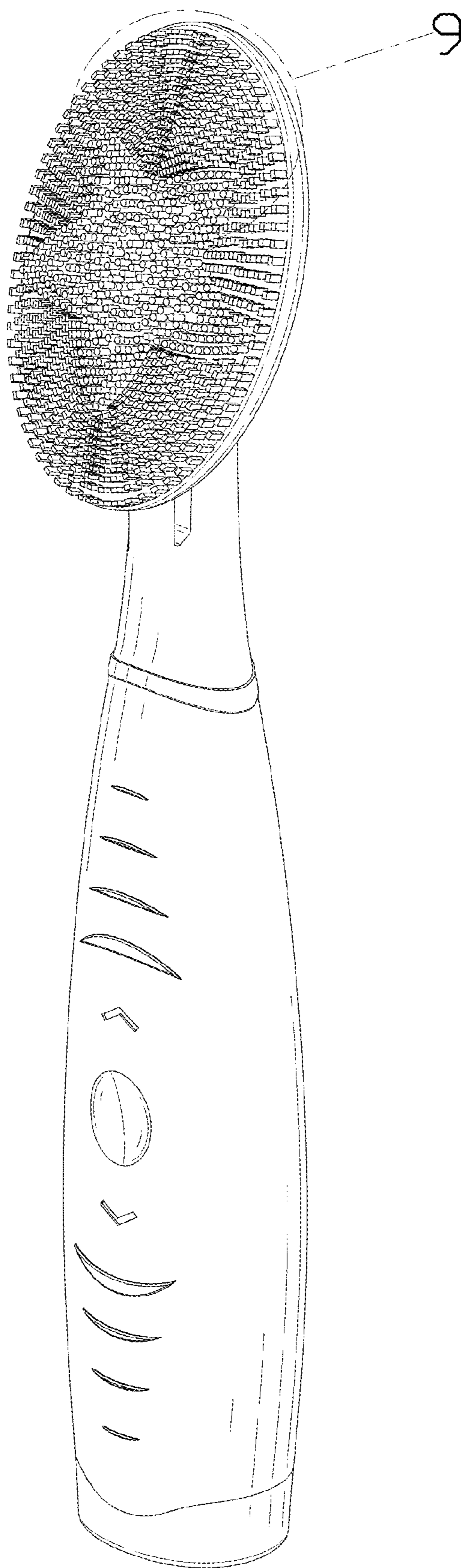


FIG. 1

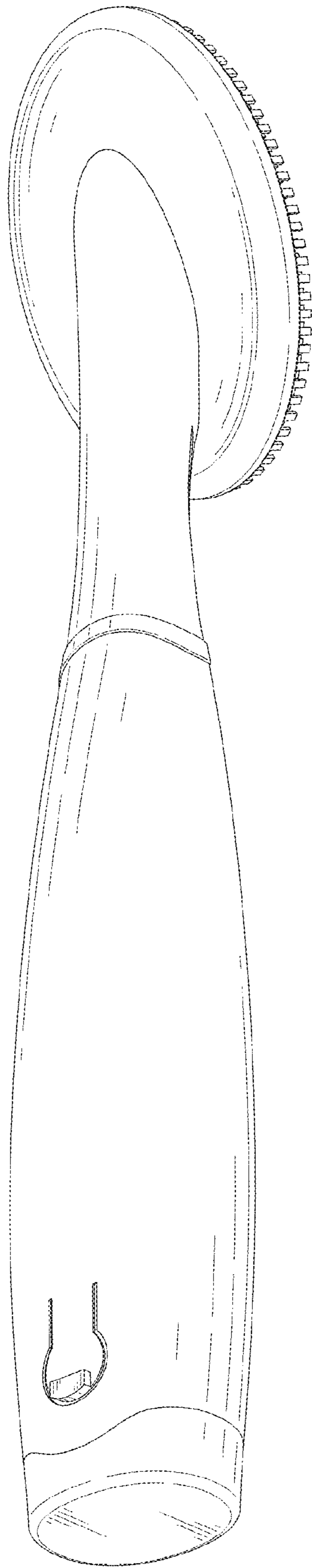


FIG. 2

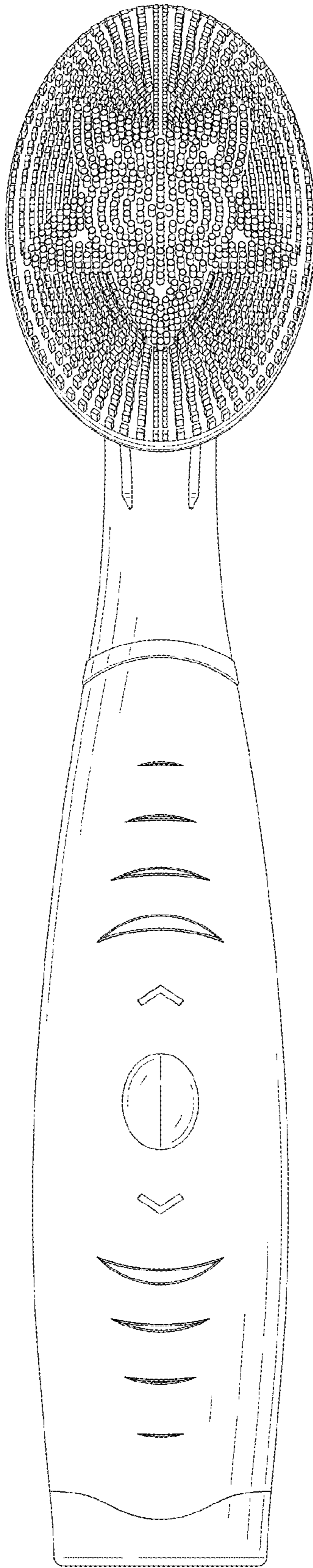


FIG. 3

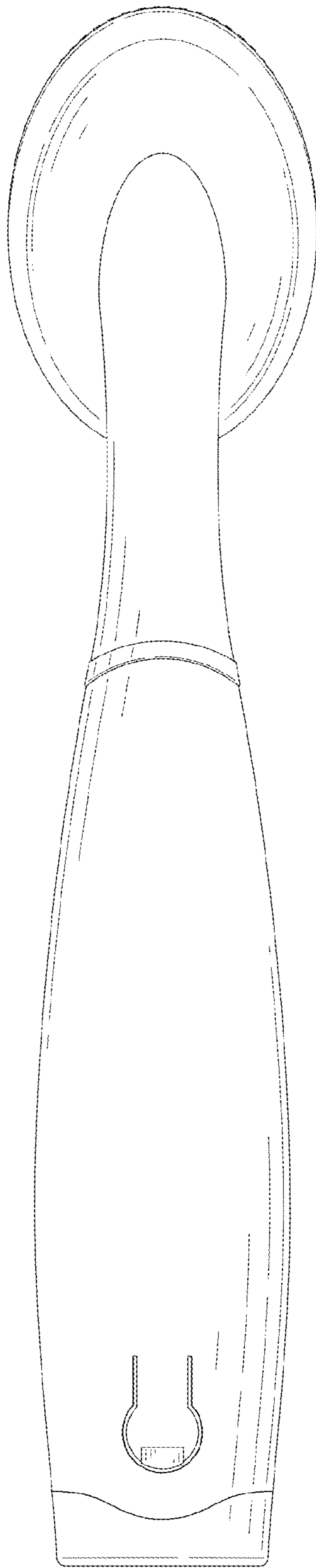


FIG. 4

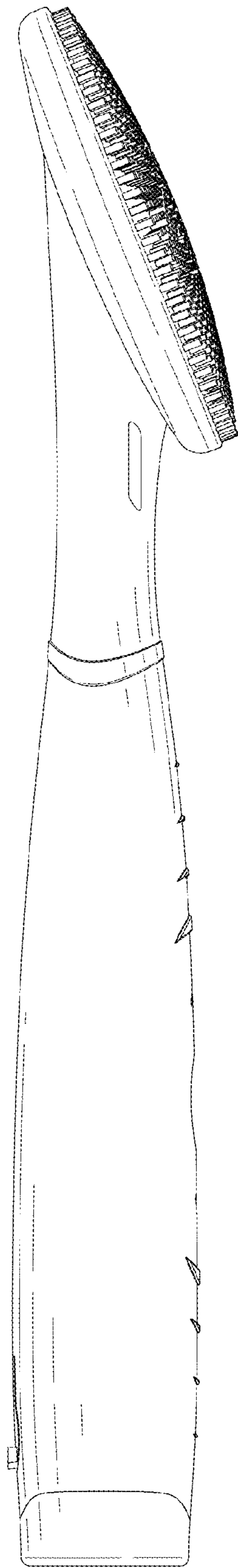


FIG. 5

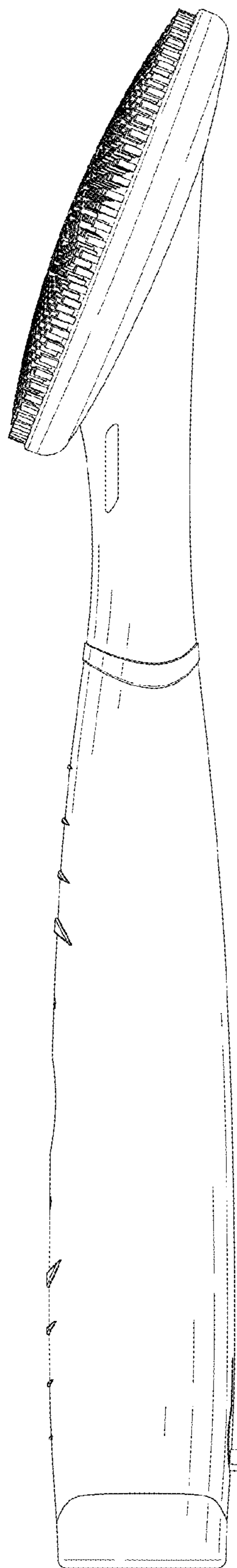


FIG. 6

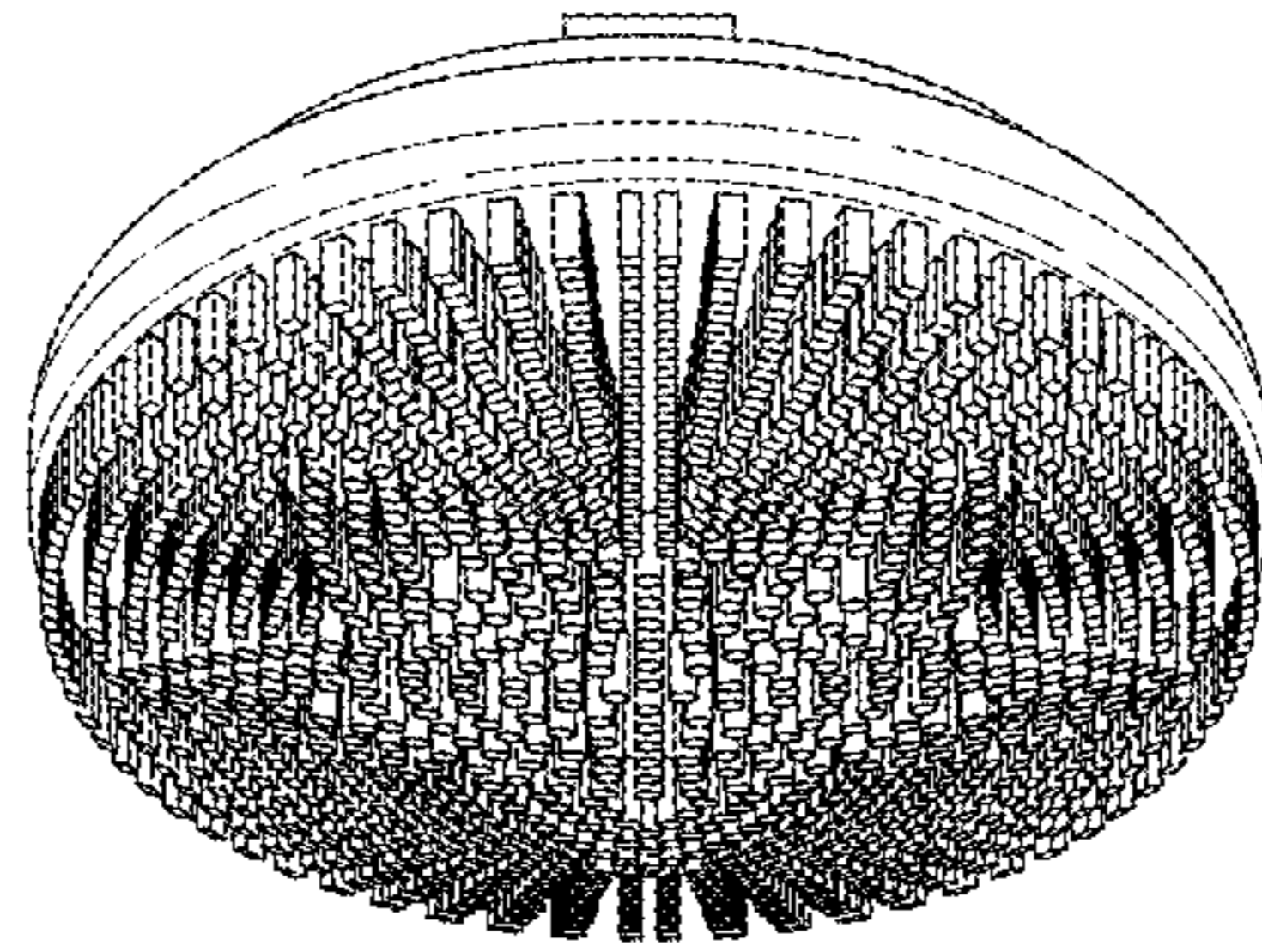


FIG. 7



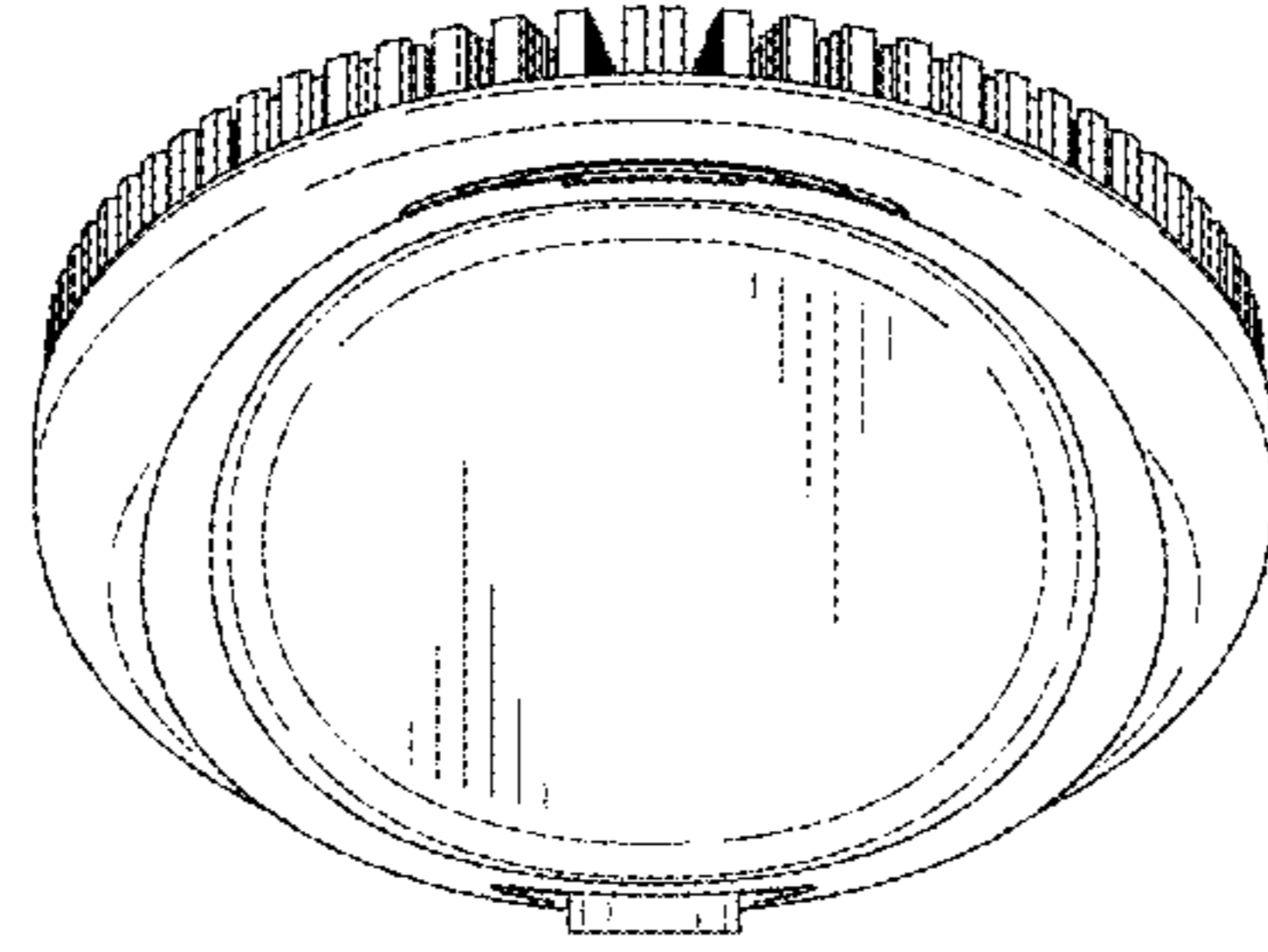


FIG. 8

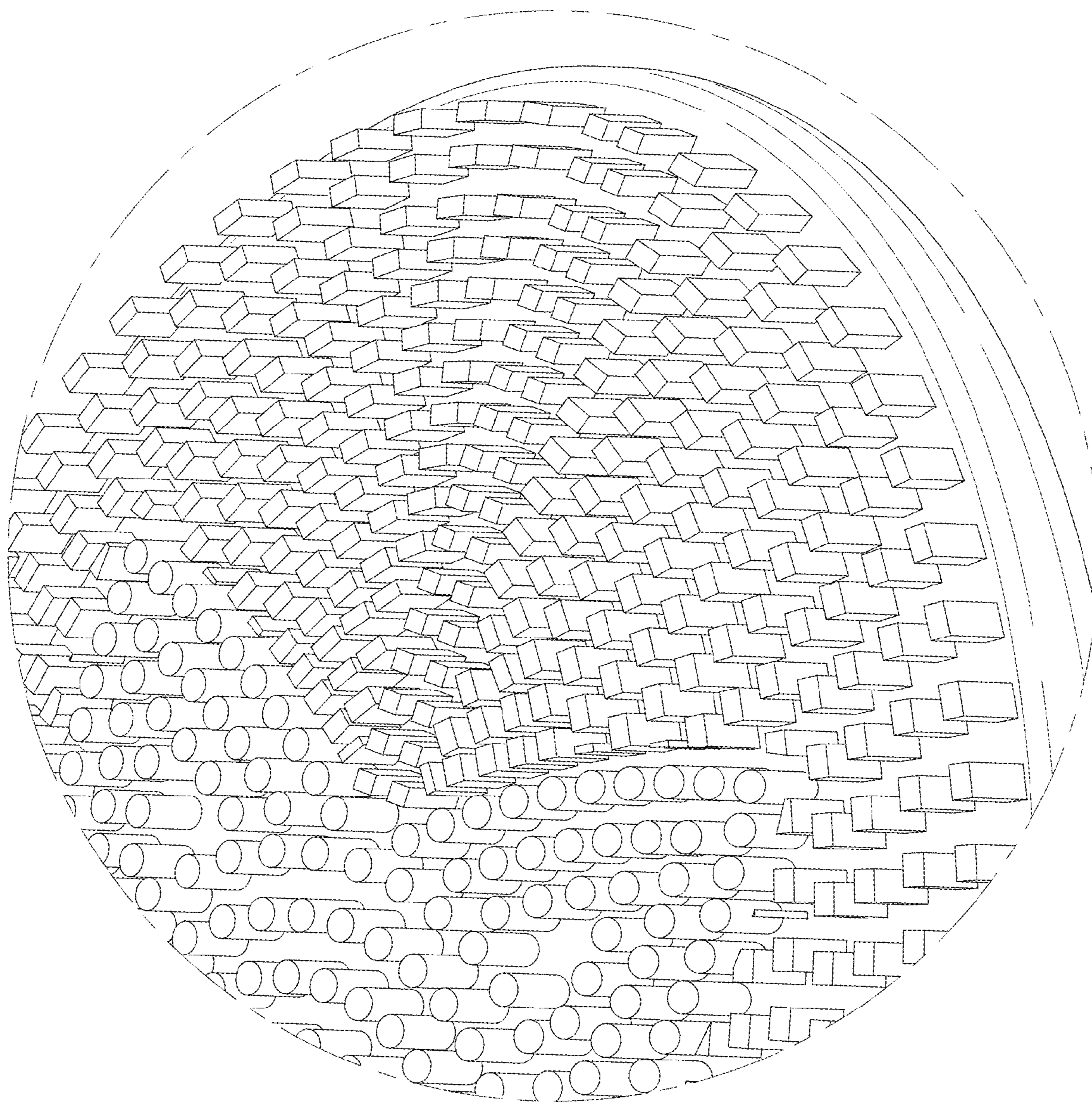


FIG. 9