

US00D949568S

(12) **United States Design Patent**
Doberstein et al.

(10) **Patent No.:** **US D949,568 S**
(45) **Date of Patent:** **** Apr. 26, 2022**

(54) **GOLF BAG TOP**

(71) Applicant: **Ogio International, Inc.**, Carlsbad, CA (US)

(72) Inventors: **Emily Doberstein**, San Diego, CA (US); **Craig Zacheis**, Vista, CA (US); **Gregg Hemphill**, Ladera Ranch, CA (US)

(73) Assignee: **Callaway Golf Company**, Carlsbad, CA (US)

(**) Term: **15 Years**

(21) Appl. No.: **29/737,034**

(22) Filed: **Jun. 4, 2020**

(51) **LOC (13) Cl.** **03-01**

(52) **U.S. Cl.**
USPC **D3/320**

(58) **Field of Classification Search**
USPC D3/255, 318, 319, 320; D11/143
CPC A47F 7/0021; A63B 55/40; A63B 55/00;
A63B 55/53; A63B 55/57; A63B 57/00;
A63B 71/00
See application file for complete search history.

(56) **References Cited**

U.S. PATENT DOCUMENTS

| | | | | |
|----------------|---------|------------|-------|-------------------------|
| D408,147 S * | 4/1999 | Wang | | D3/320 |
| D431,111 S * | 9/2000 | Ryan | | D3/320 |
| D442,783 S * | 5/2001 | Pratt | | D3/320 |
| D478,422 S * | 8/2003 | Chen | | D3/320 |
| 6,766,905 B1 * | 7/2004 | Chang | | A63B 55/53 206/315.7 |
| D517,808 S * | 3/2006 | Reimers | | D3/320 |
| D523,640 S * | 6/2006 | Vosloo | | D3/320 |
| D525,034 S * | 7/2006 | Vosloo | | D3/320 |
| D530,922 S * | 10/2006 | Anderson | | D3/320 |
| D557,502 S * | 12/2007 | Quartarone | | D3/320 |
| D577,916 S * | 10/2008 | Quartarone | | D3/320 |
| D580,656 S * | 11/2008 | Quartarone | | D3/320 |

| | | | | |
|--------------|---------|--------------|-------|--------|
| D649,353 S * | 11/2011 | Loudenslager | | D3/320 |
| D649,354 S * | 11/2011 | Loudenslager | | D3/320 |
| D688,463 S * | 8/2013 | Seidner | | D3/320 |
| D713,148 S * | 9/2014 | Bruce | | D3/320 |
| D715,055 S * | 10/2014 | Bruce | | D3/320 |
| D718,534 S * | 12/2014 | Bruce | | D3/320 |

(Continued)

FOREIGN PATENT DOCUMENTS

CN 305369121 * 10/2019

OTHER PUBLICATIONS

Titleist Cart 15 Available on Amazon.com, Date first available Feb. 12, 2020, Site visited Sep. 14, 2021, Available from internet URL: https://www.amazon.com/Titleist-Cart-15-Black/dp/B083FPJXZV/ref=sr_1_1?dchild=1 (Year: 2020).*

Primary Examiner — Brett Miller

Assistant Examiner — Jessica M Gebhart

(74) *Attorney, Agent, or Firm* — Rebecca Hanovice; Michael Catania; Sonia Lari

(57) **CLAIM**

The ornamental design for a golf bag top, as shown and described.

DESCRIPTION

FIG. 1 is side perspective view of the golf bag top claimed herein;

FIG. 2 is a rear elevational view thereof;

FIG. 3 is a front elevational view thereof;

FIG. 4 is a right side elevational view thereof;

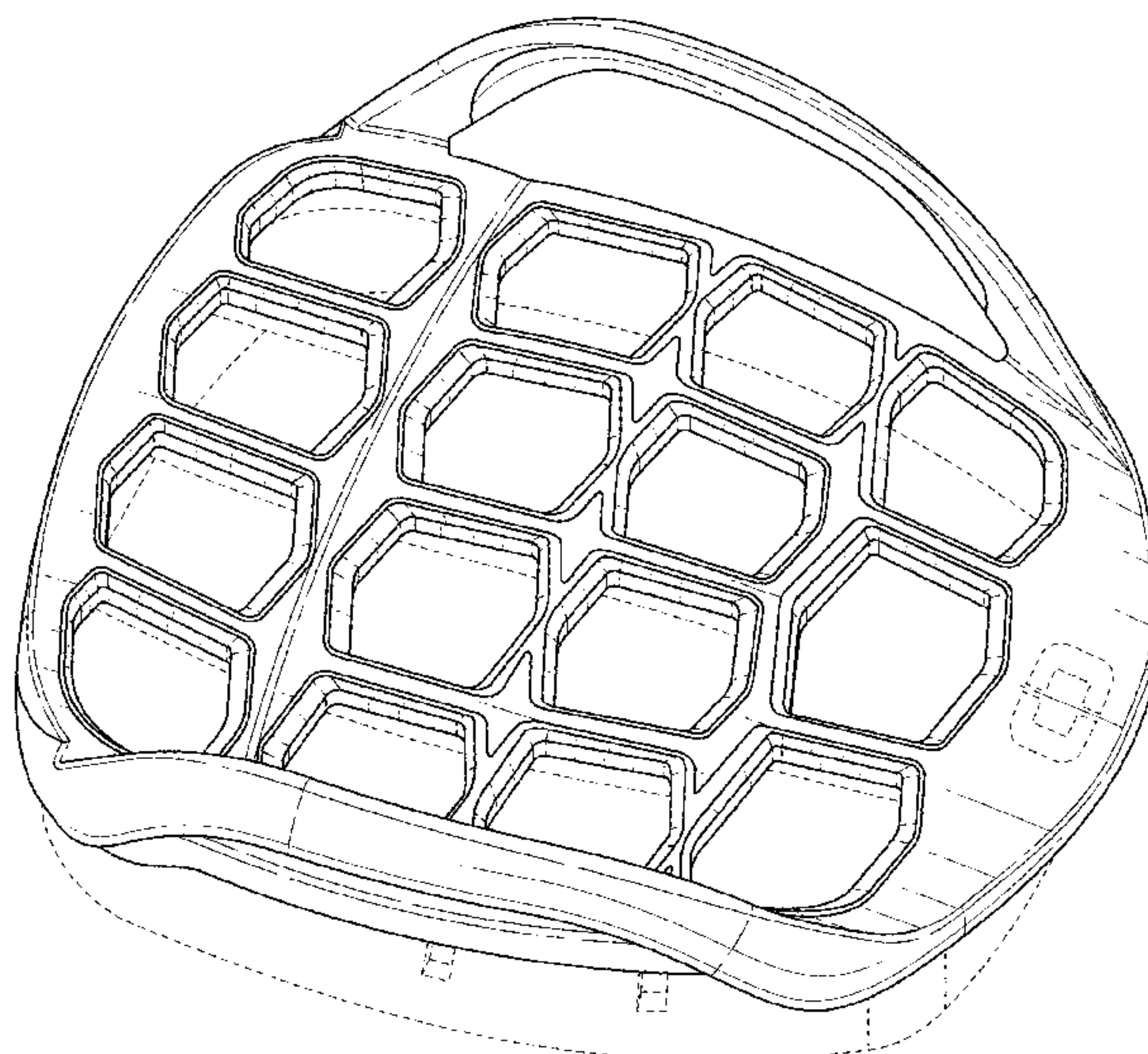
FIG. 5 is a left side elevational view thereof;

FIG. 6 is a top plan view thereof; and,

FIG. 7 is a bottom plan view thereof.

The broken lines shown in the drawings are included for the purpose of illustrating unclaimed subject matter and form no part of the claimed design.

1 Claim, 5 Drawing Sheets



(56)

References Cited

U.S. PATENT DOCUMENTS

| | | | | | | |
|--------------|----|---|---------|----------|-------|------------|
| D762,068 | S | * | 7/2016 | Bruce | | D3/320 |
| D824,669 | S | * | 8/2018 | Collette | | D3/255 |
| D848,734 | S | * | 5/2019 | Maki | | D3/255 |
| 2002/0170839 | A1 | * | 11/2002 | Chang | | A63B 55/40 |
| | | | | | | 206/315.6 |
| 2011/0139642 | A1 | * | 6/2011 | Tan | | A63B 55/40 |
| | | | | | | 206/315.6 |
| 2013/0213837 | A1 | * | 8/2013 | Suk | | A63B 55/40 |
| | | | | | | 206/315.6 |
| 2015/0122678 | A1 | * | 5/2015 | Engel | | A63B 55/40 |
| | | | | | | 206/315.6 |
| 2019/0184247 | A1 | * | 6/2019 | Pacha | | A63B 55/40 |

* cited by examiner

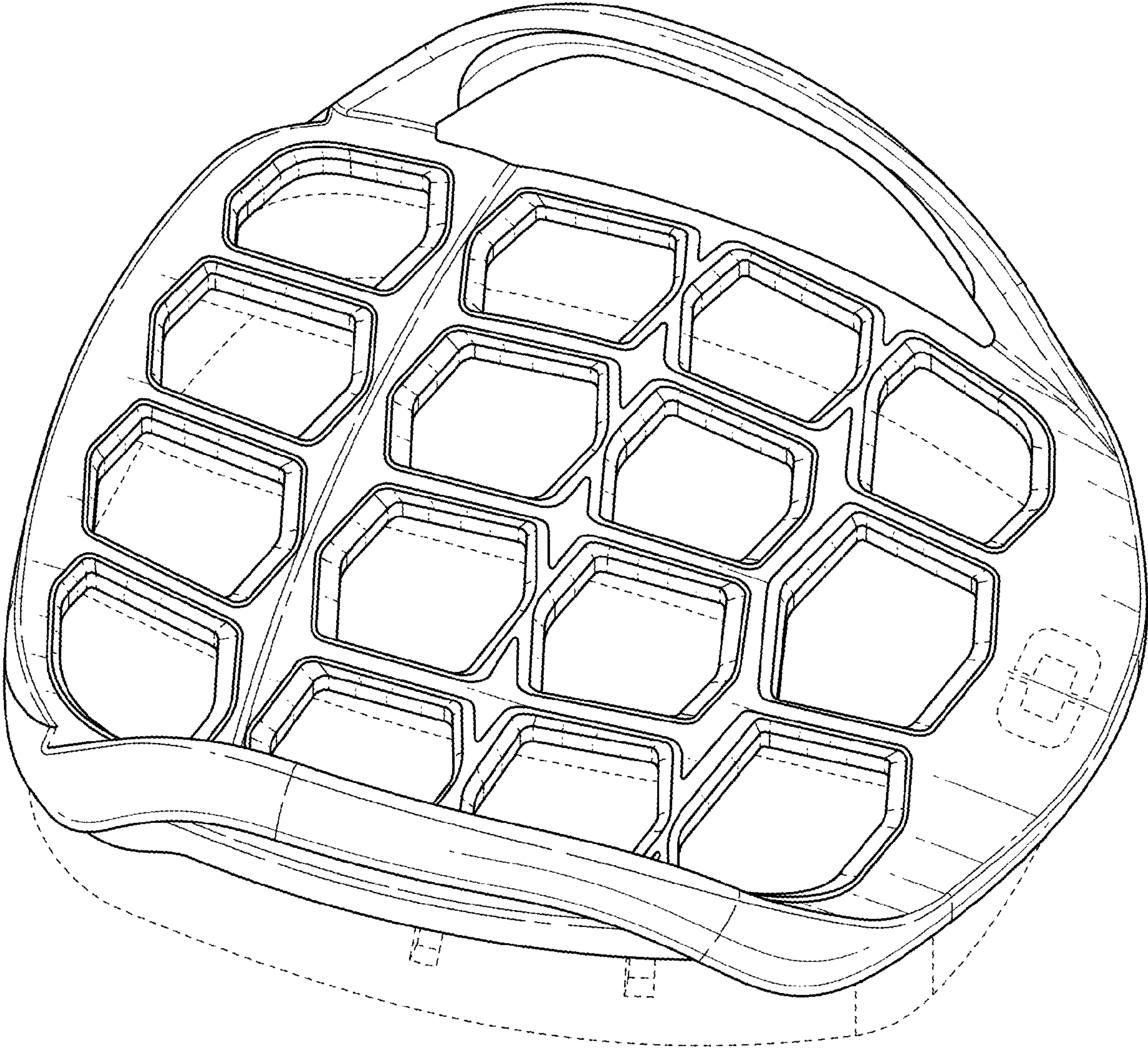


FIG. 1

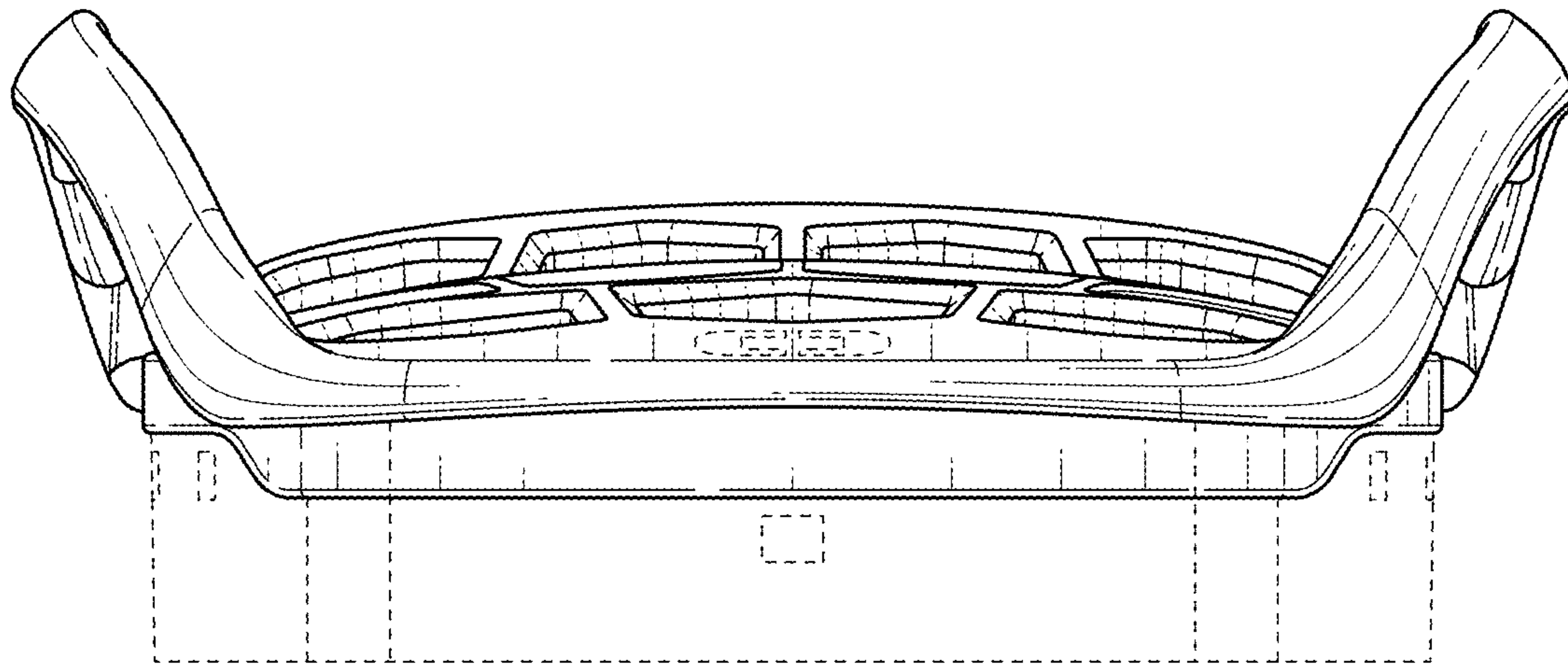


FIG. 2

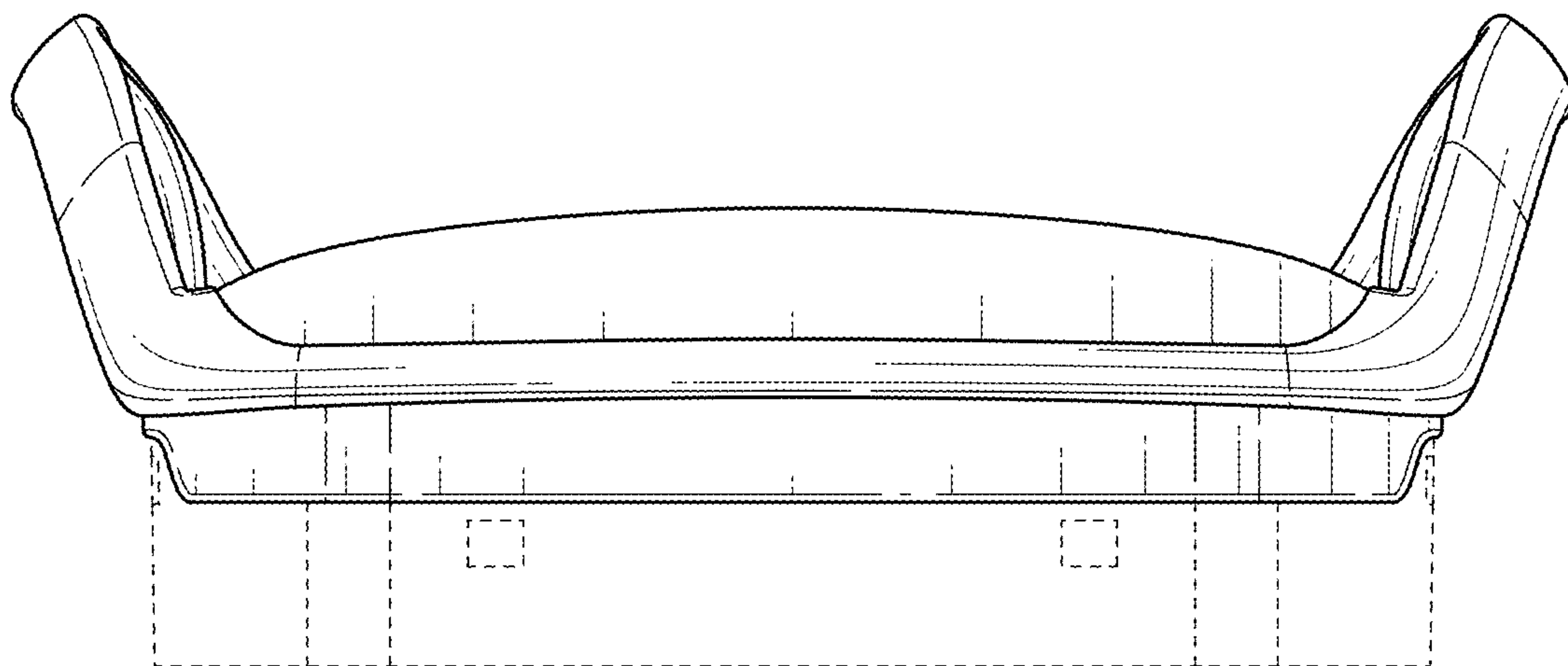


FIG. 3

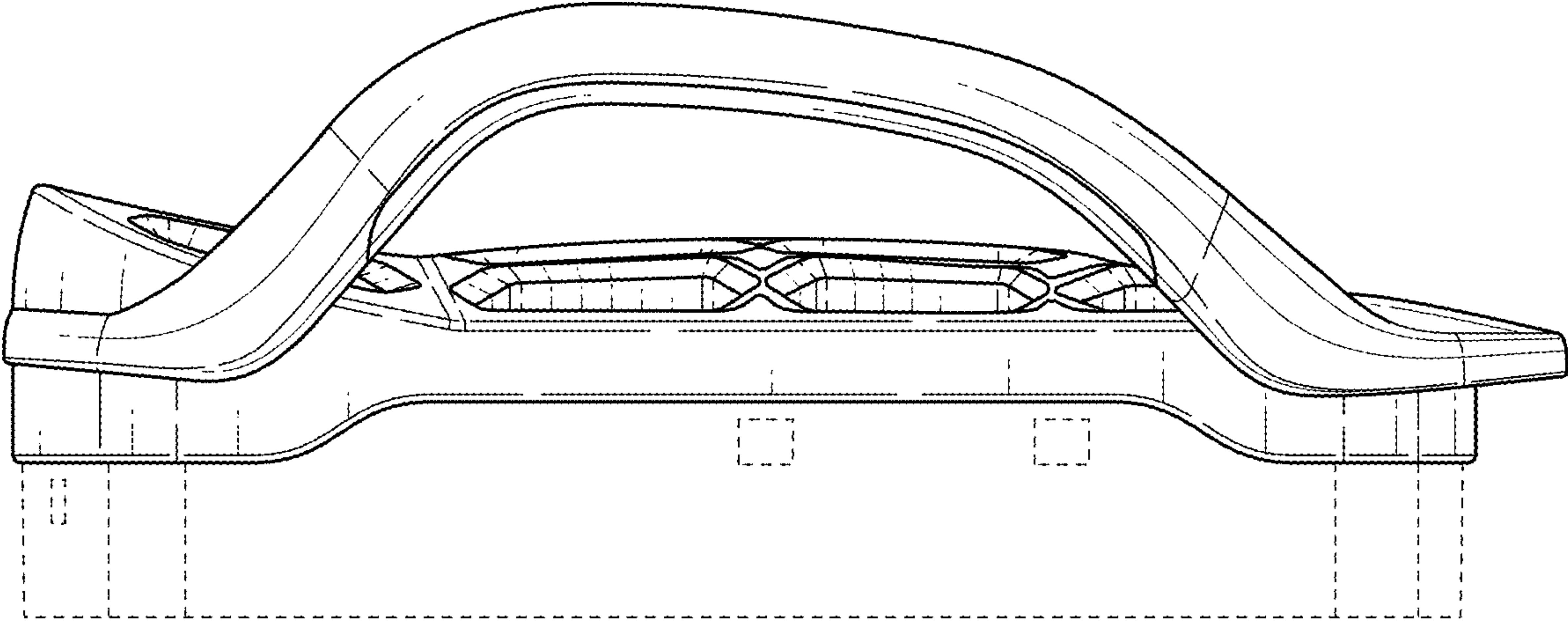


FIG. 4

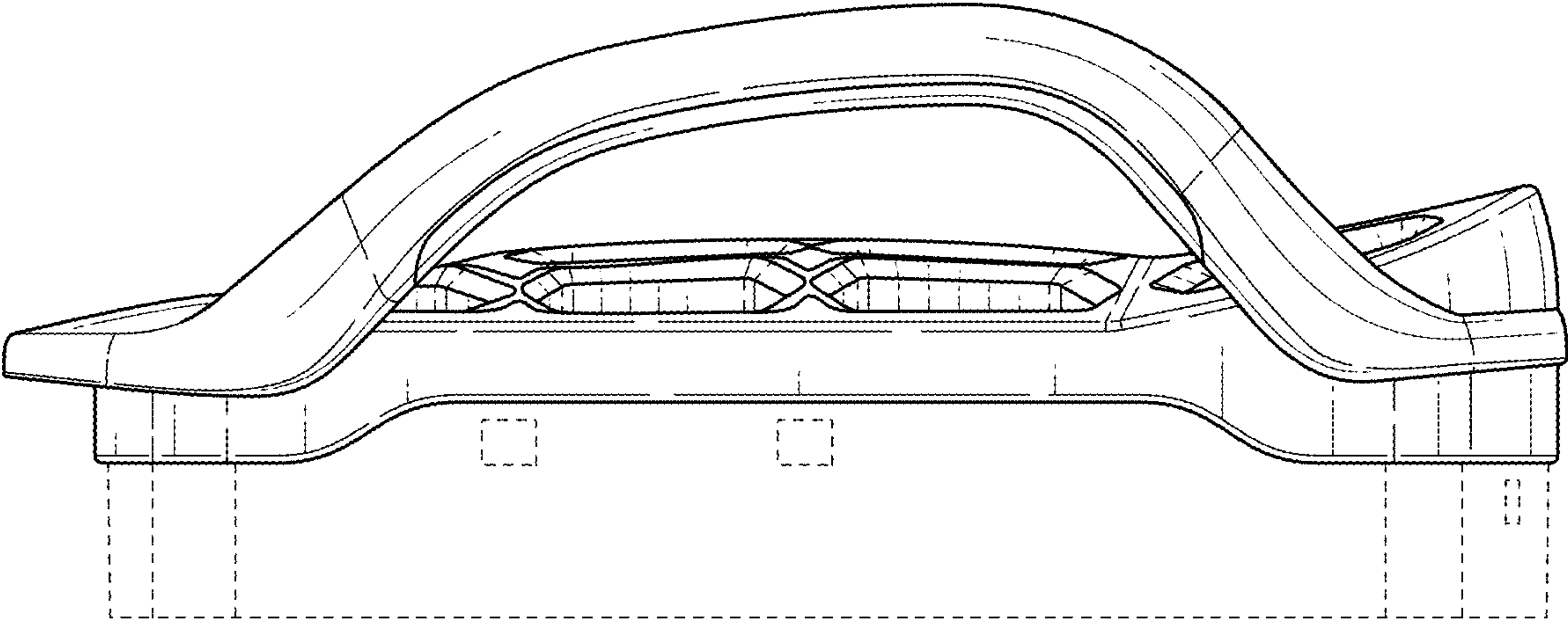


FIG. 5

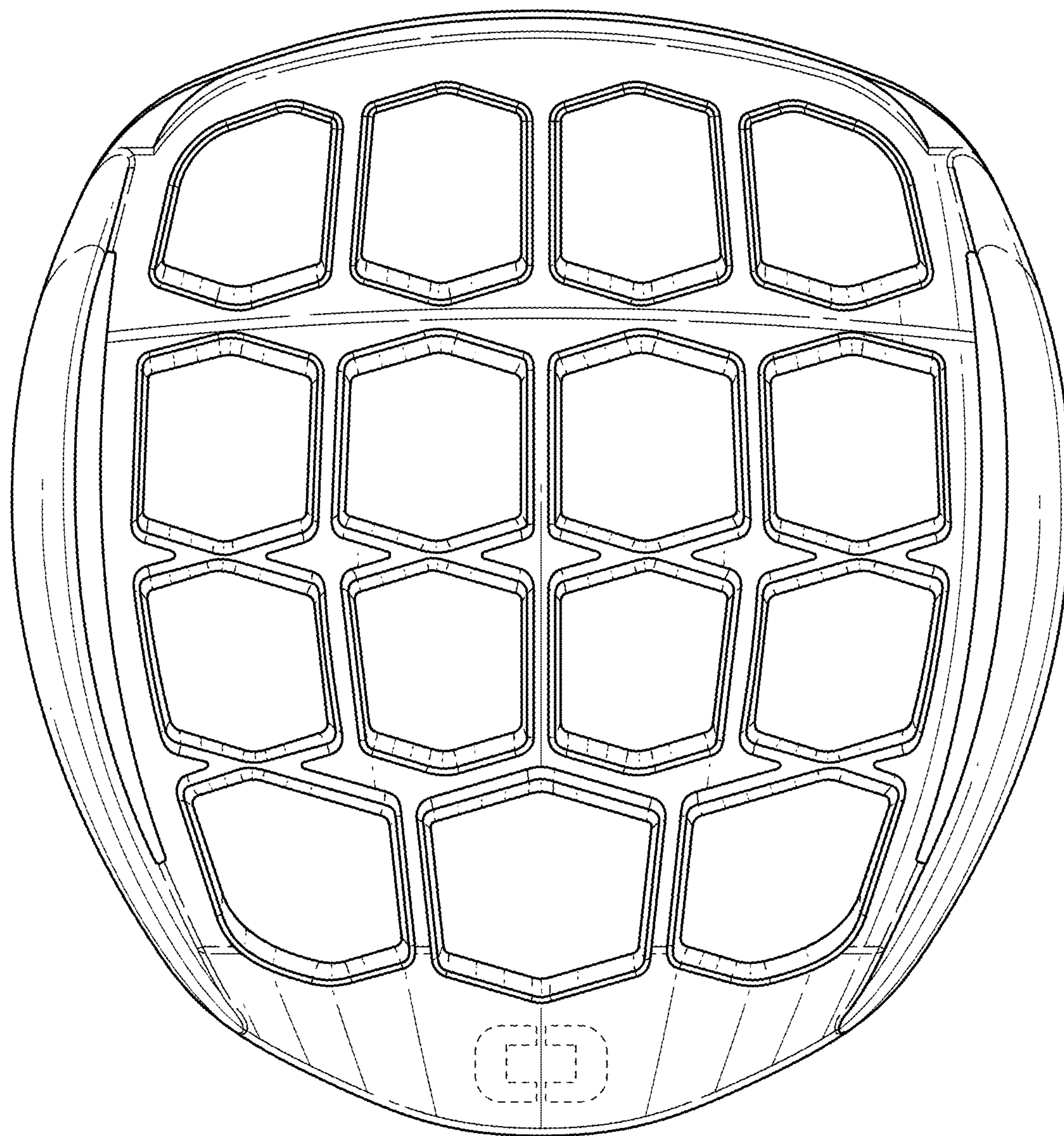


FIG. 6

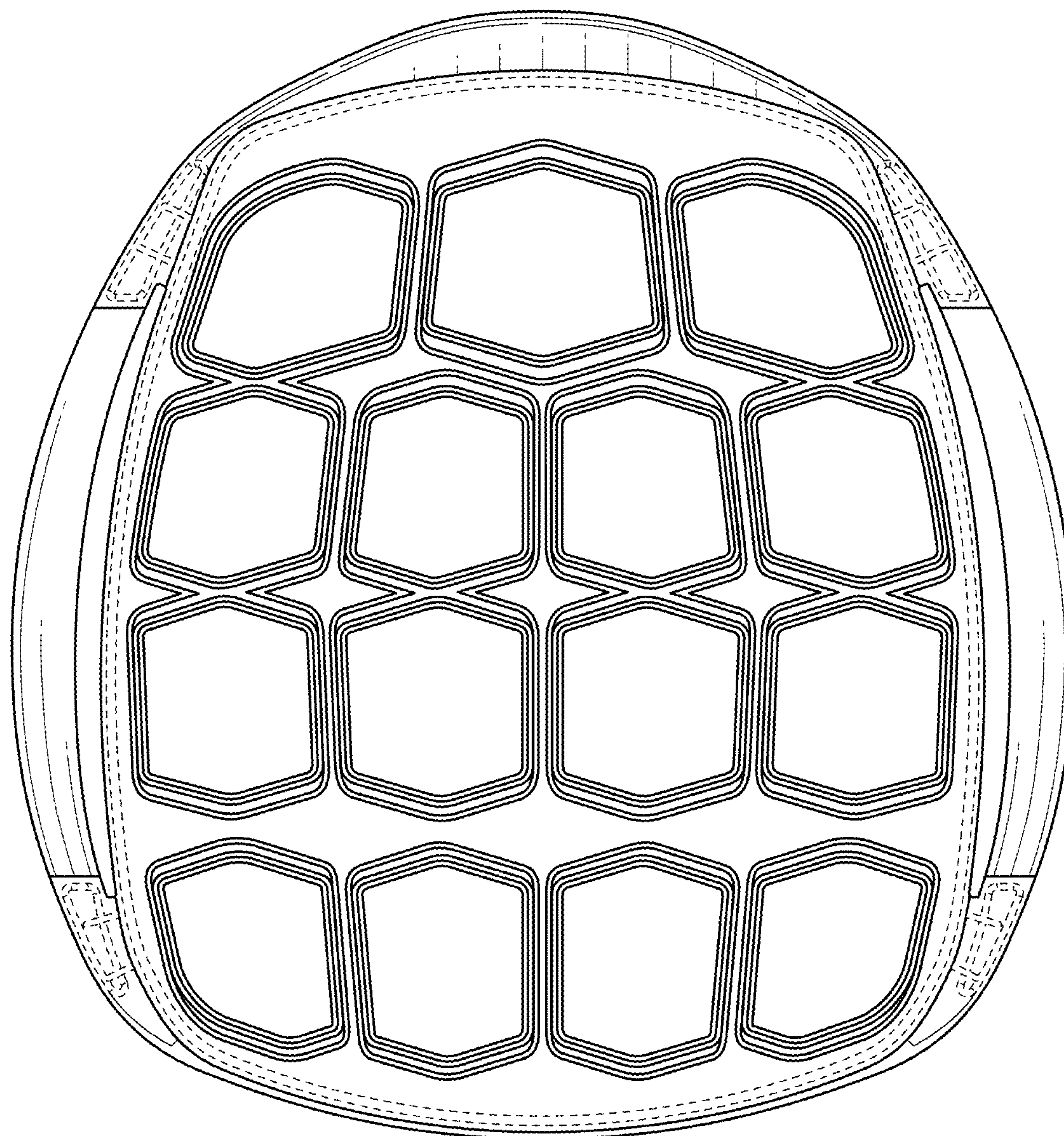


FIG. 7