



US00D949566S

(12) **United States Design Patent**
Ritzberger et al.

(10) **Patent No.:** **US D949,566 S**

(45) **Date of Patent:** **** Apr. 26, 2022**

(54) **CRATE**

(71) Applicant: **Georg Utz Holding AG**, Bremgarten (CH)

(72) Inventors: **Axel Ritzberger**, Altendorf (CH); **Peter Grishin**, Carmel, IN (US)

(**) Term: **15 Years**

(21) Appl. No.: **35/510,536**

(22) Filed: **Sep. 18, 2020**

(80) **Hague Agreement Data**

Int. Filing Date: **Sep. 18, 2020**

Int. Reg. No.: **DM/210510**

Int. Reg. Date: **Sep. 18, 2020**

Int. Reg. Pub. Date: **Oct. 9, 2020**

(51) **LOC (13) Cl.** **09-04**

(52) **U.S. Cl.**

USPC **D3/304**; D3/307; D9/425

(58) **Field of Classification Search**

USPC D3/304, 305, 306, 307, 245, 246, 247, D3/248, 249, 250, 251, 318, 319; D9/414, 425

CPC B65D 2501/00; B65D 2501/0018; B65D 2501/0027; B65D 2501/0036; B65D 2501/24; B65D 2501/24299; B65D 2501/2484; B65D 2501/24866

See application file for complete search history.

(56) **References Cited**

U.S. PATENT DOCUMENTS

D271,153 S *	10/1983	Deaton	D3/304
D286,339 S *	10/1986	van Berne	D3/312
D336,715 S *	6/1993	Gora	D3/314
D382,403 S *	8/1997	Koskinen	D3/307
D421,183 S *	2/2000	Koskinen	D3/307
D629,205 S *	12/2010	McGregor	D3/304
D648,538 S *	11/2011	Reinhart	D3/318

D670,081 S *	11/2012	Orgeldinger	D3/307
8,714,396 B2 *	5/2014	Hug	B65D 85/44 220/528
8,844,759 B2 *	9/2014	Dubois	B65D 1/22 220/62.19
D744,239 S *	12/2015	Reinhart	D3/318
D765,407 S *	9/2016	Reinhart	D3/318
D765,408 S *	9/2016	Reinhart	D3/318
D765,409 S *	9/2016	Reinhart	D3/318
D765,411 S *	9/2016	Reinhart	D3/318
D773,821 S *	12/2016	Reinhart	D3/318
D776,932 S *	1/2017	Reinhart	D3/318
D785,942 S *	5/2017	Utsugi	D3/304
D792,105 S *	7/2017	Reinhart	D3/318
D825,926 S *	8/2018	Lauber	D3/318
D833,149 S *	11/2018	Sofy	D3/323
D834,822 S *	12/2018	Laurita	D3/307

(Continued)

OTHER PUBLICATIONS

“Georg Utz Small Load Container (SLC) 50-1512-75-0-15”Lx12”Wx7-½”H, Silver Grey” [online]. Georg Utz. [Retrieved on Dec. 8, 2021]. Retrieved from the Internet: <<https://www.globalindustrial.com/p/slc-stacking-container-15l-x-12w-x-7-1-2h-silver-grey?ref=5>>.*

Primary Examiner — Mojtaba Tehrani

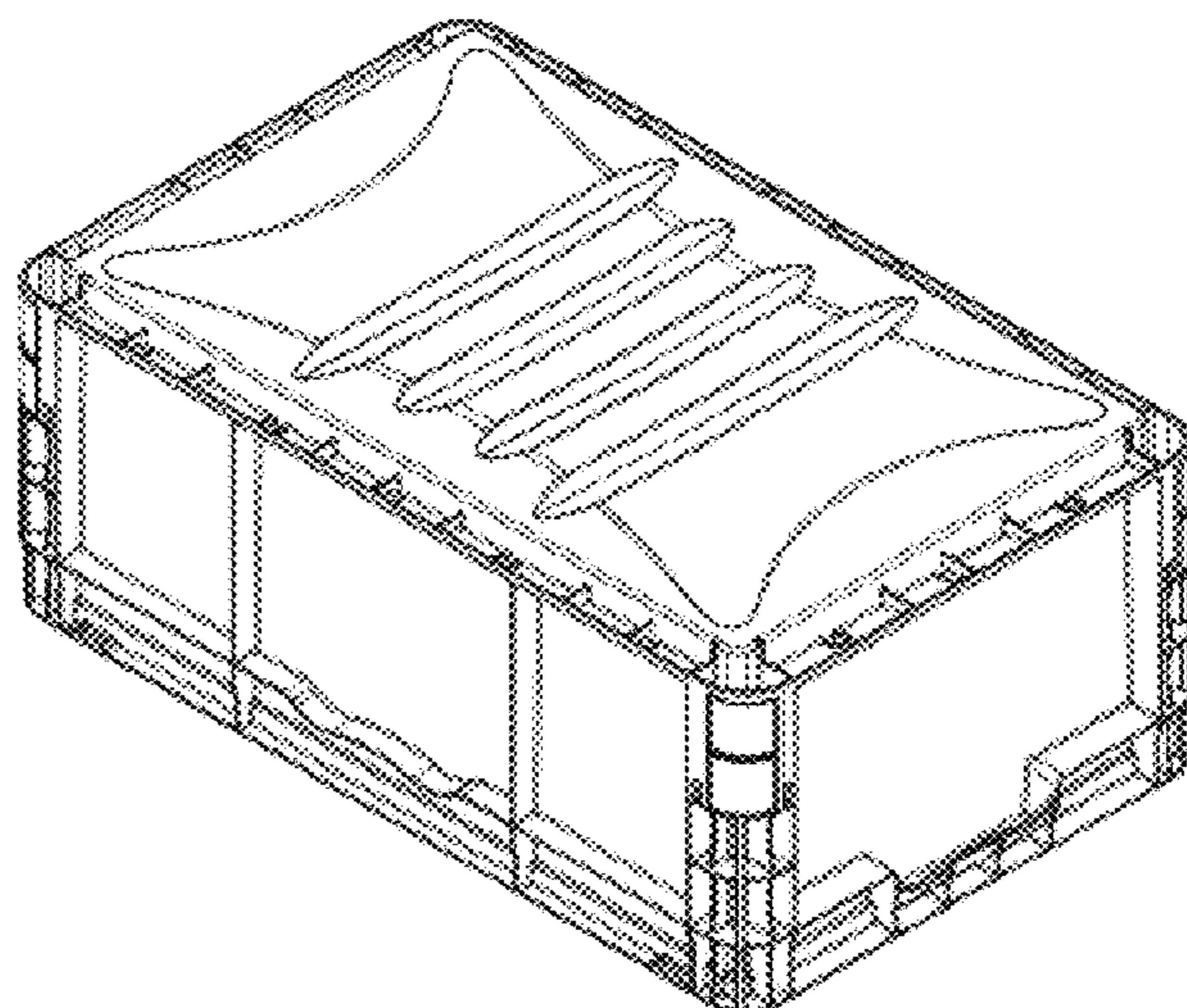
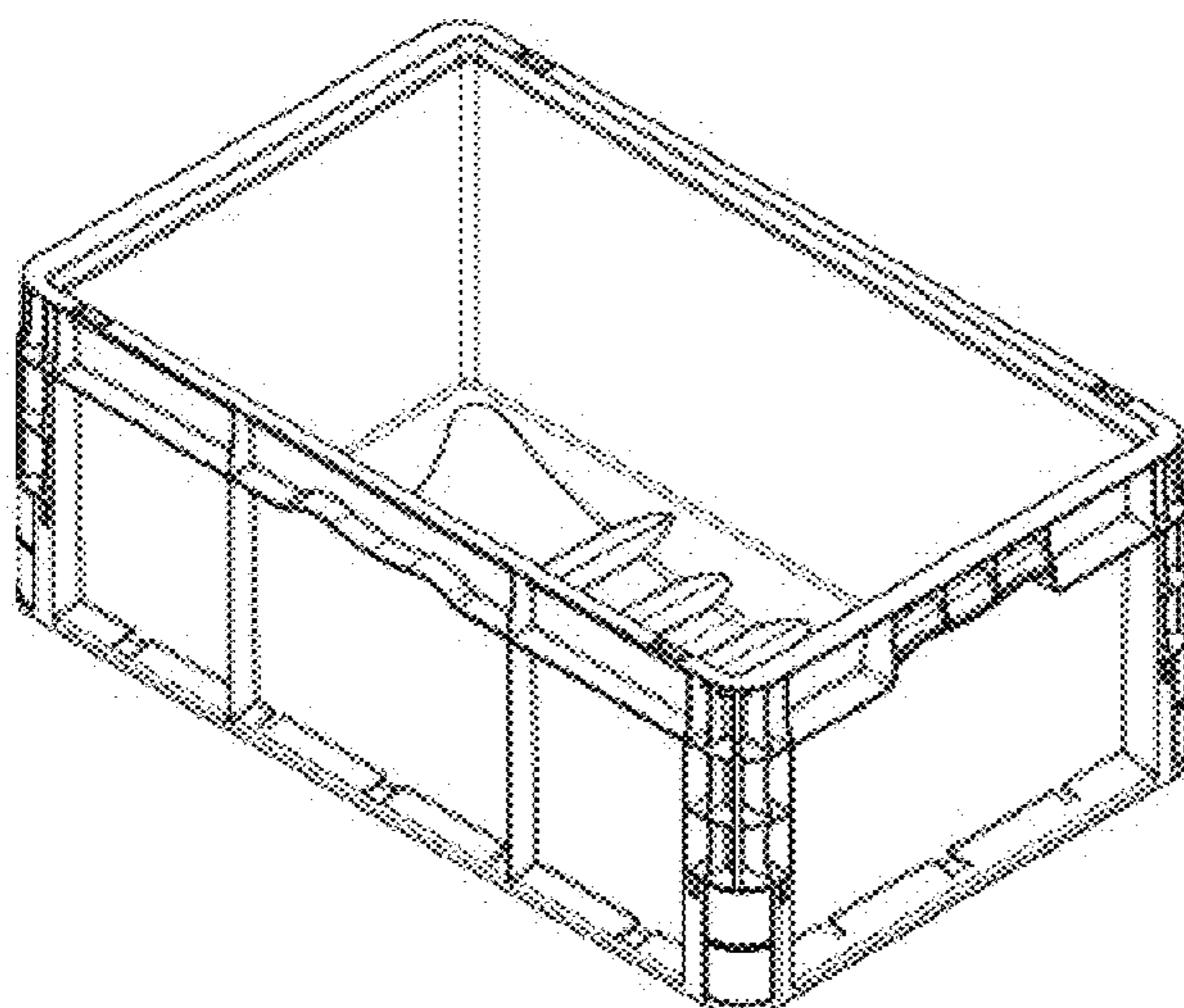
(57) **CLAIM**

The ornamental design for a crate, as shown and described.

DESCRIPTION

Fig. 1.1 is a top Perspective view of a crate according to the present invention;
Fig. 1.2 is a bottom Perspective view of the crate of Fig. 1.1;
Fig. 1.3 is a Right side view of the crate of Fig. 1.1;
Fig. 1.4 is a Left side view of the crate of Fig. 1.1;
Fig. 1.5 is a Front view of the crate of Fig. 1.1;
Fig. 1.6 is a Back view of the crate of Fig. 1.1;
Fig. 1.7 is a Top view of the crate of Fig. 1.1; and
Fig. 1.8 is a Bottom view of the crate of Fig. 1.1.

1 Claim, 8 Drawing Sheets



(56)

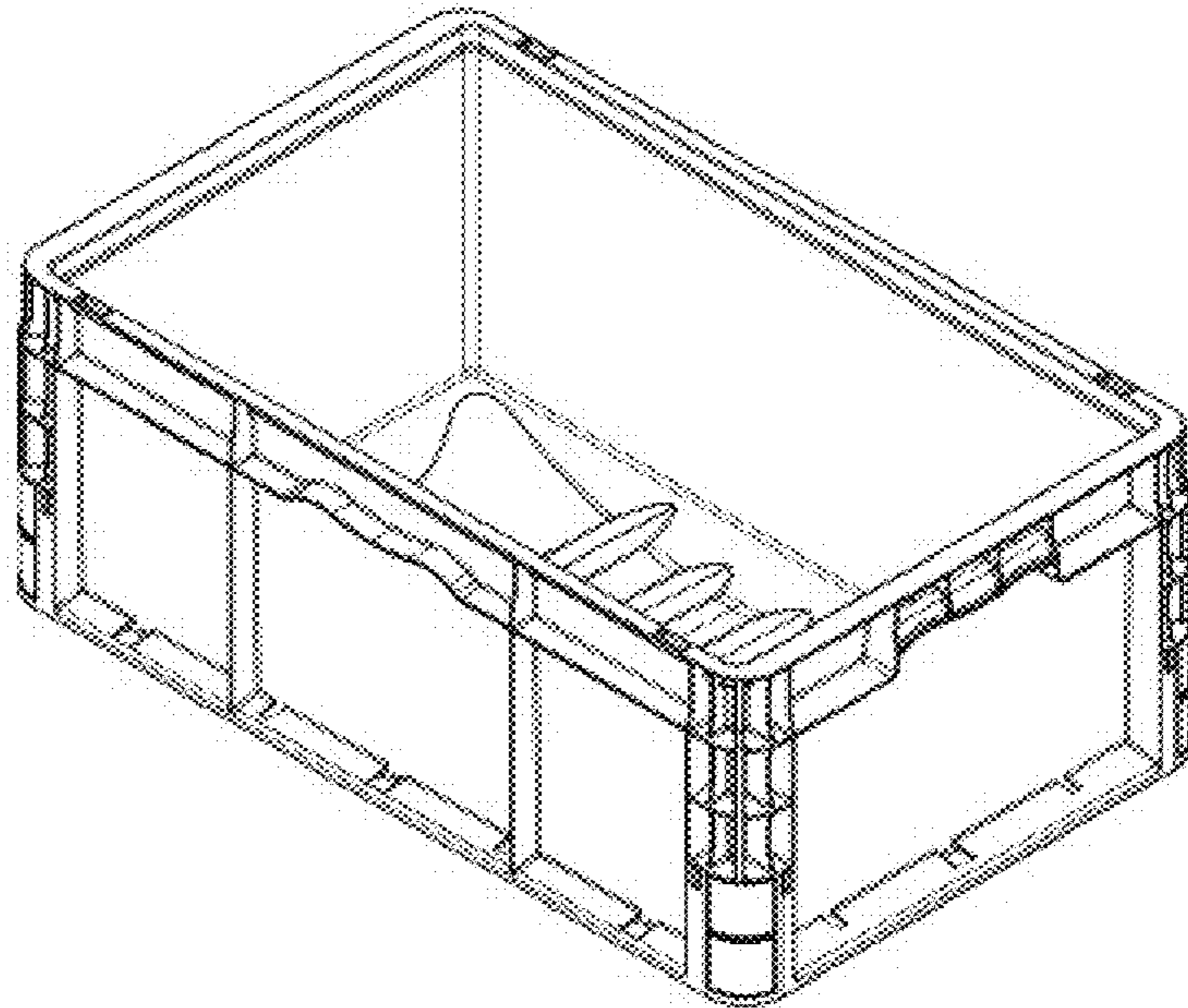
References Cited

U.S. PATENT DOCUMENTS

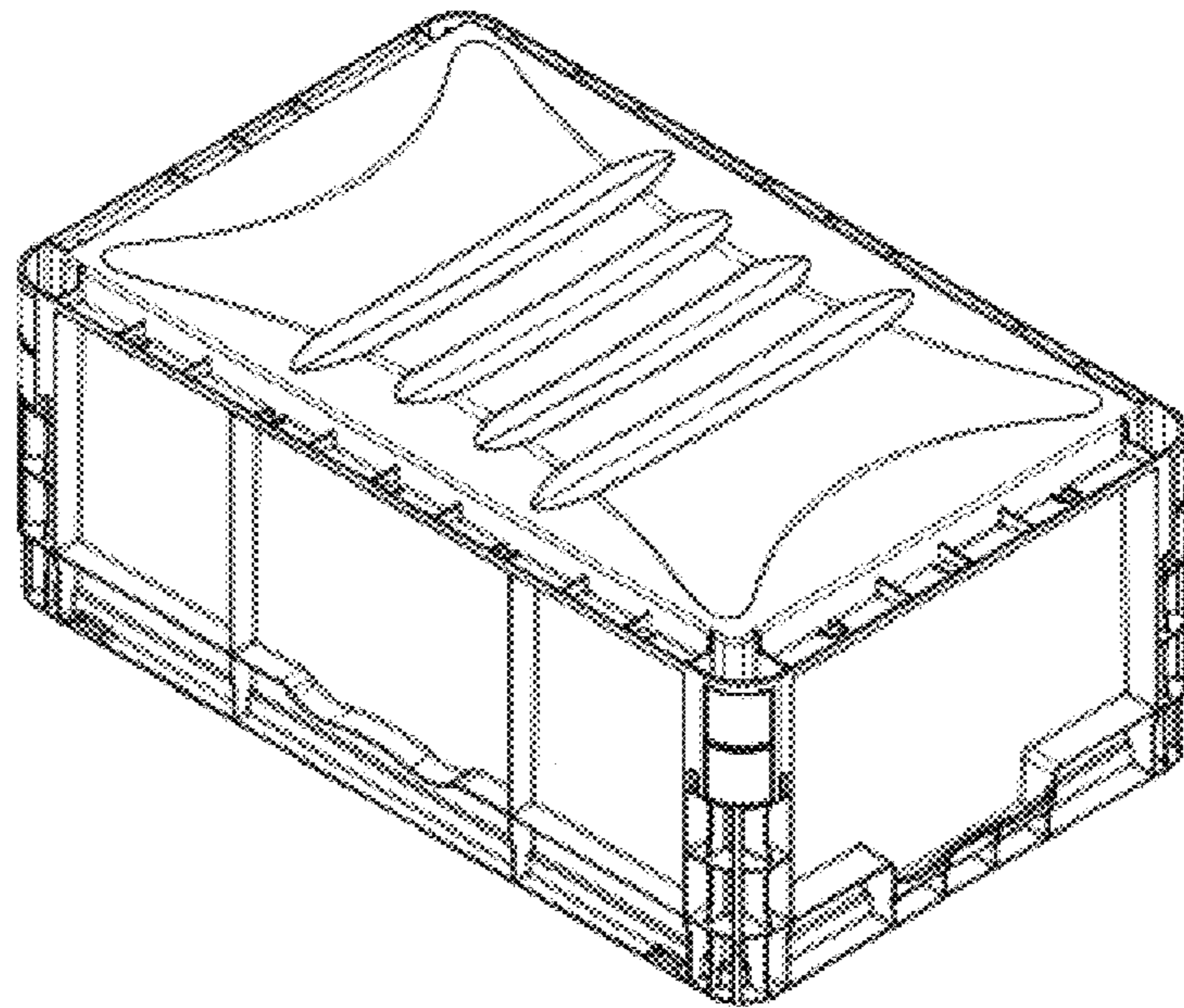
D841,328 S * 2/2019 Wilcox D3/304
D895,282 S * 9/2020 Plattner D3/314
D901,293 S * 11/2020 Plattner D9/425
D910,312 S * 2/2021 Reinhart D3/304
D911,712 S * 3/2021 Grant D3/305
D912,984 S * 3/2021 Reinhart D3/304
D919,296 S * 5/2021 Brunner D3/307
D919,972 S * 5/2021 Hsu D3/305
D920,670 S * 6/2021 Ritzberger D3/282
D941,582 S * 1/2022 Nolen D3/305
2004/0222221 A1 * 11/2004 Rader B65D 11/184
220/6
2006/0194483 A1 * 8/2006 Escarpa Gil B65D 11/1833
439/852
2012/0067880 A1 * 3/2012 Orgeldinger B65D 11/22
220/6
2018/0162583 A1 * 6/2018 Pick B65D 1/42

* cited by examiner

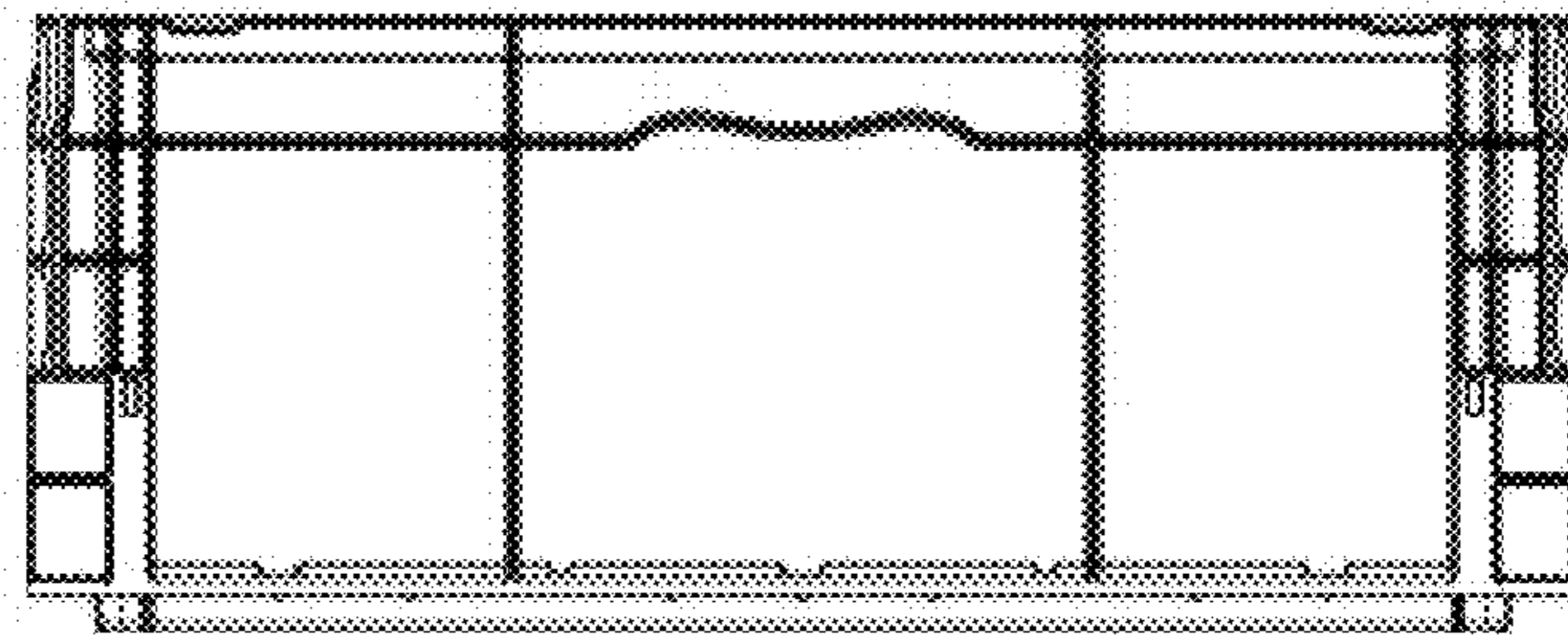
1.1



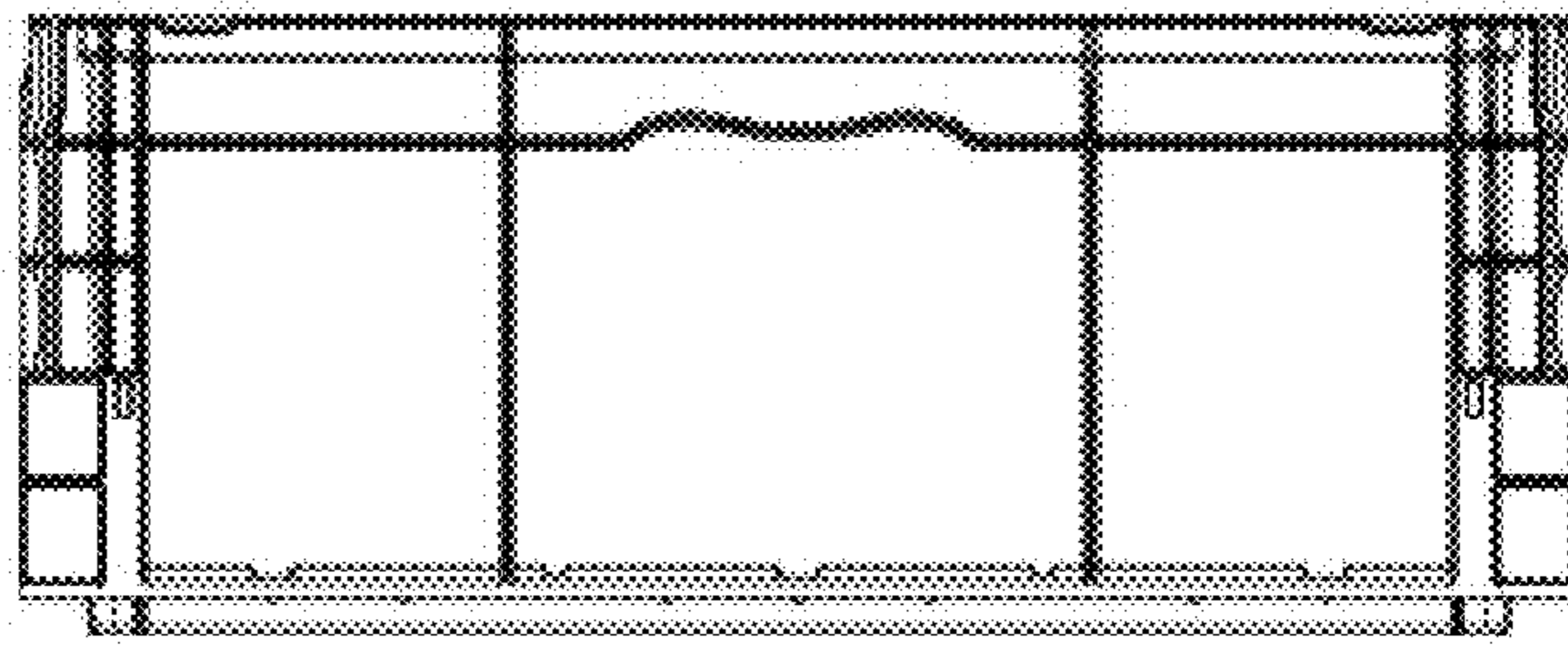
1.2



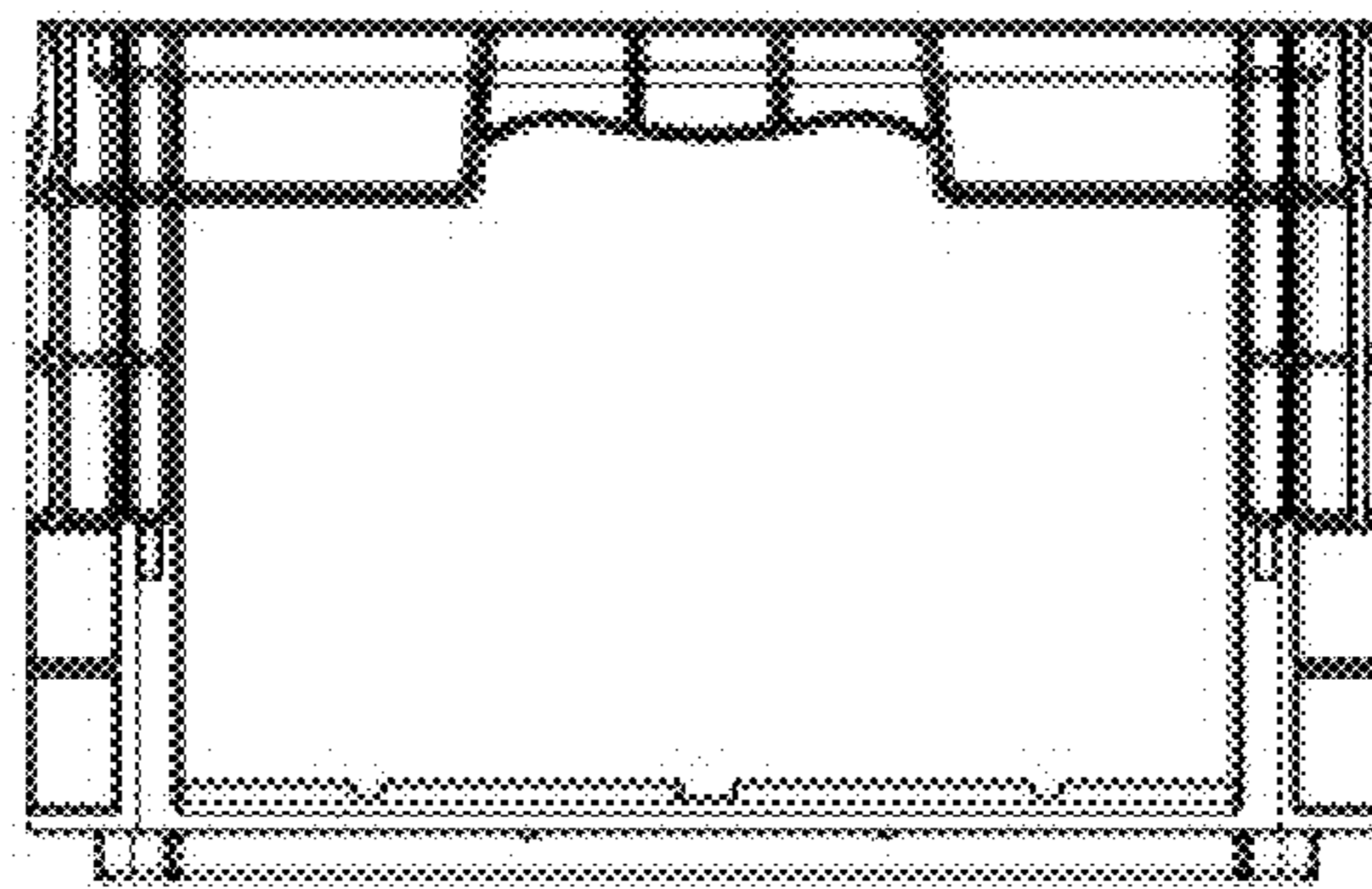
1.3



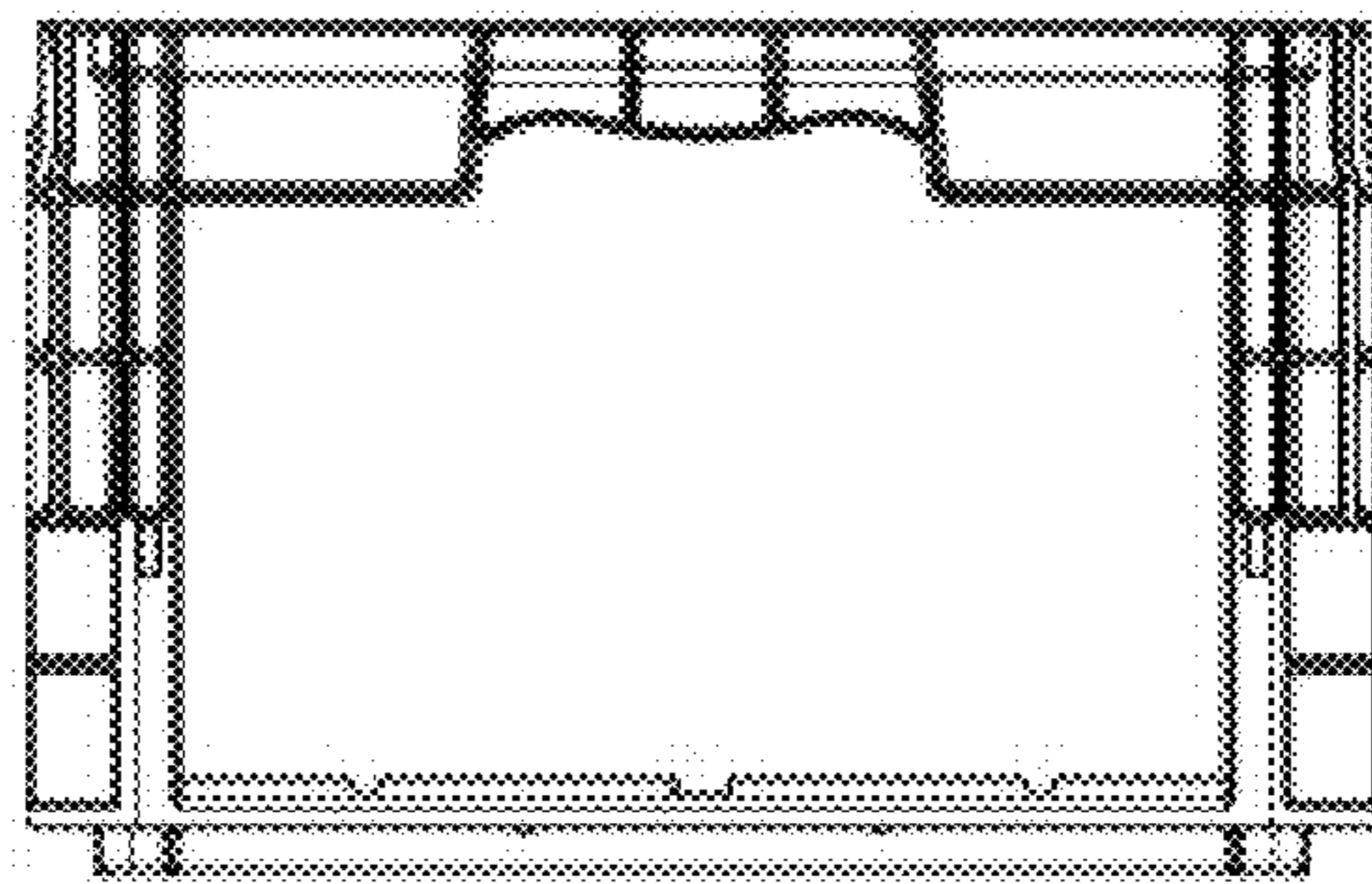
1.4



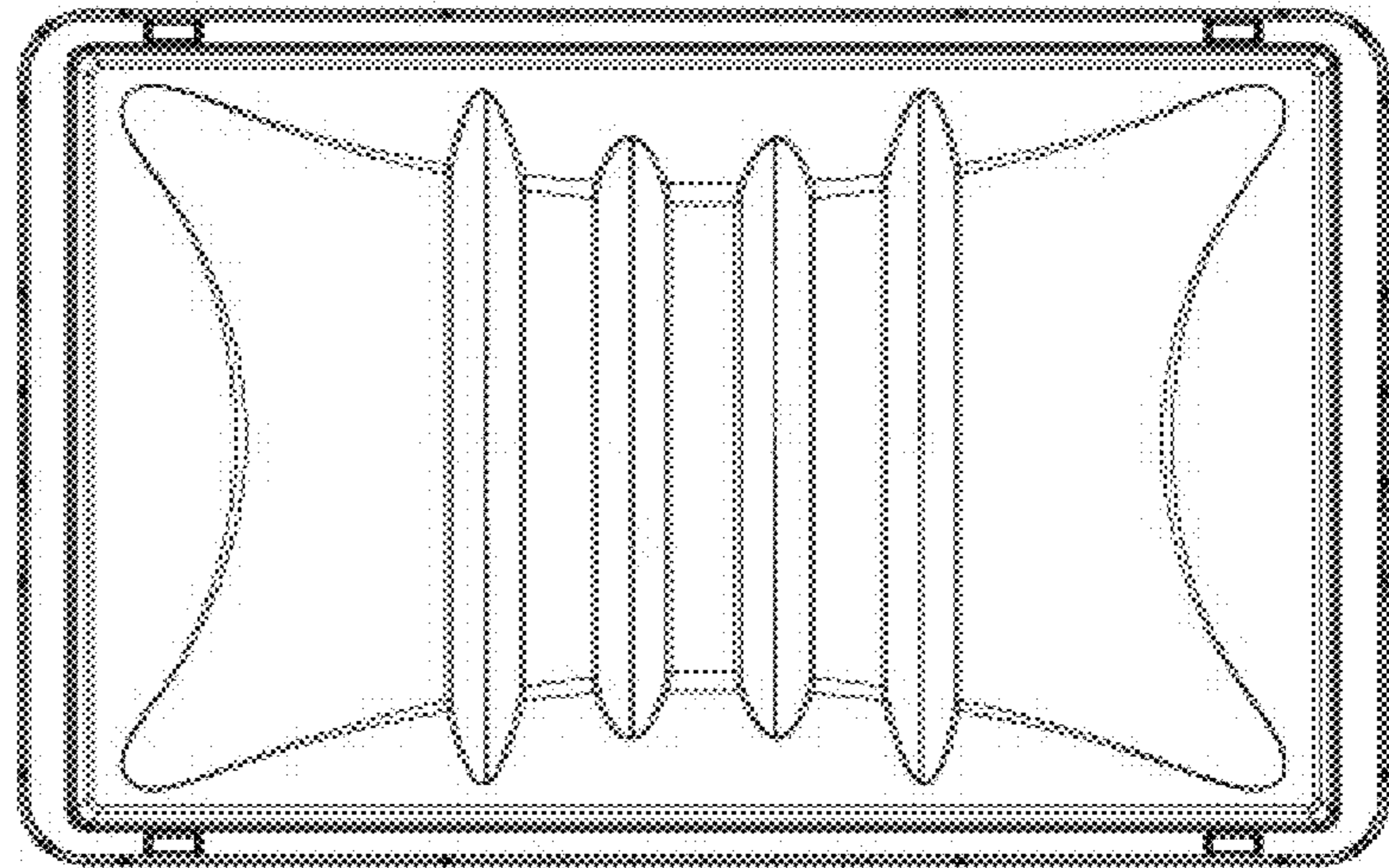
1.5



1.6



1.7



1.8

