

US00D949562S

(12) **United States Design Patent**  
**Strippoli**

(10) **Patent No.:** **US D949,562 S**

(45) **Date of Patent:** **\*\* Apr. 26, 2022**

(54) **WEEKENDER LUGGAGE BAG**

(71) Applicant: **Rosemarie Strippoli**, Mt. Sanai, NY  
(US)

(72) Inventor: **Rosemarie Strippoli**, Mt. Sanai, NY  
(US)

(\*\*) Term: **15 Years**

(21) Appl. No.: **29/727,015**

(22) Filed: **Mar. 7, 2020**

(51) **LOC (13) Cl.** ..... **03-01**

(52) **U.S. Cl.**  
USPC ..... **D3/289**; D3/319

(58) **Field of Classification Search**  
USPC ..... D3/216–217, 232–233, 243, 245–247,  
D3/265, 273, 276, 289, 301, 318–319,  
D3/902  
CPC ..... A45C 13/103; A45C 13/02; A45C 5/03;  
A45C 5/06; A45C 3/00  
See application file for complete search history.

(56) **References Cited**

**U.S. PATENT DOCUMENTS**

- 4,995,436 A \* 2/1991 Cantor ..... A45C 1/00  
150/102
- D346,693 S \* 5/1994 Saltzman ..... D3/233
- D378,709 S \* 4/1997 Jacobs ..... D3/233
- D386,300 S \* 11/1997 Kopel ..... D3/217
- D471,013 S \* 3/2003 Peterson ..... D3/254
- D472,385 S \* 4/2003 Bauer ..... A45C 7/0045  
D3/276
- D640,051 S \* 6/2011 Custer ..... D3/233
- D715,046 S \* 10/2014 Stewart ..... D3/232

(Continued)

**OTHER PUBLICATIONS**

“Vera Bradley Iconic Compact Weekender Travel Bag SKU: 9081810”,  
first available May 15, 2018, Shop Zappos on Youtube.com, site

visited Nov. 2, 2021: <https://www.youtube.com/watch?v=yUDm4AjrtjE> (Year: 2018).\*

*Primary Examiner* — Jennifer L Watkins  
*Assistant Examiner* — Samantha Lynne Brodowski

(57) **CLAIM**

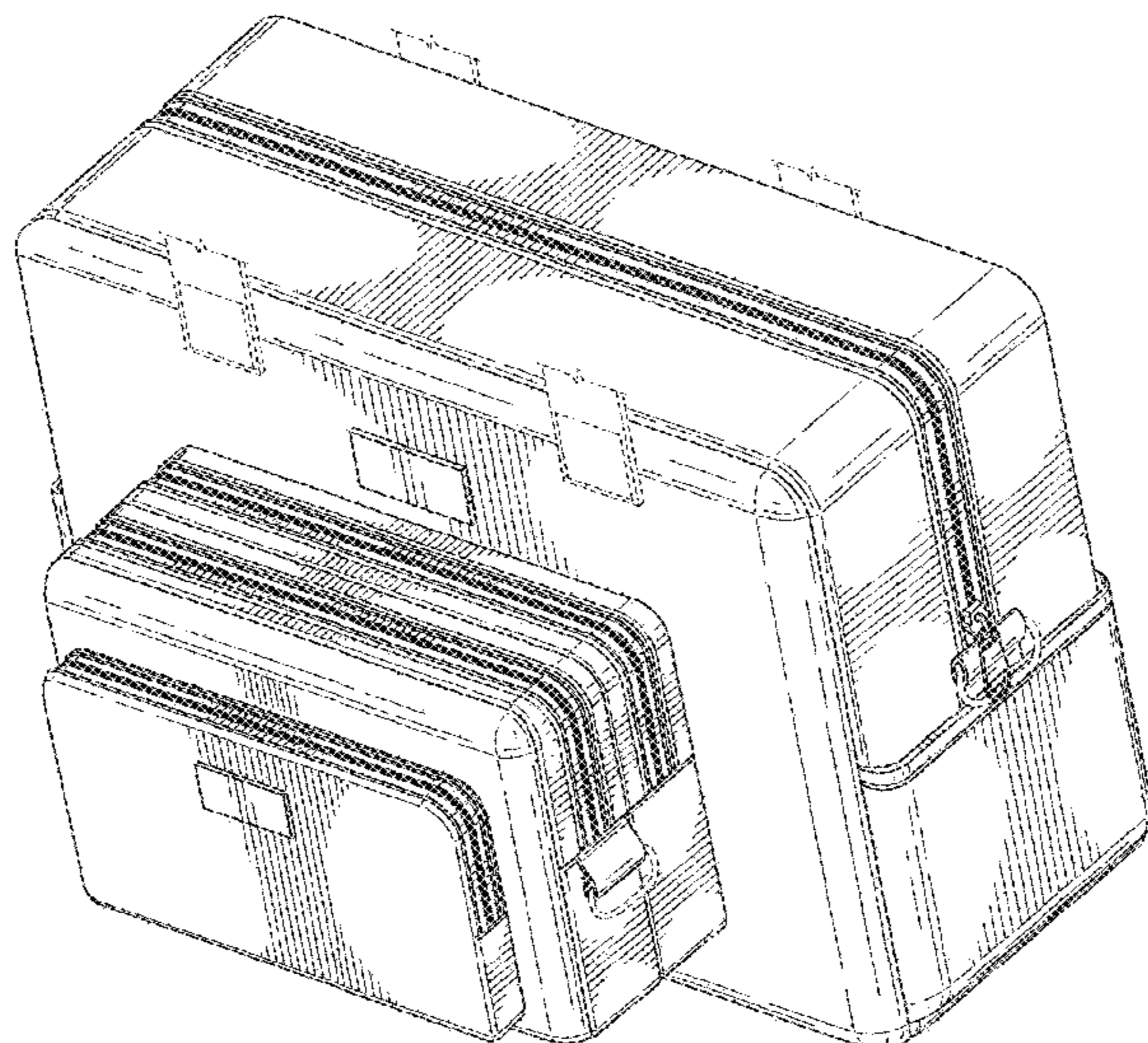
The ornamental design for a weekender luggage bag, as shown and described.

**DESCRIPTION**

FIG. 1 is a perspective view of a weekender luggage bag showing the design of the present invention;  
 FIG. 2 is a front view thereof;  
 FIG. 3 is a back view thereof;  
 FIG. 4 is a right side view thereof;  
 FIG. 5 is a left side view thereof;  
 FIG. 6 is a top view thereof;  
 FIG. 7 is a bottom view thereof;  
 FIG. 8 is a perspective view of the large bag of the present invention, shown in an alternate separated configuration;  
 FIG. 9 is a front view thereof  
 FIG. 10 is a back view thereof;  
 FIG. 11 is a right side view thereof;  
 FIG. 12 is a left side view thereof;  
 FIG. 13 is a top view thereof;  
 FIG. 14 is a bottom view thereof;  
 FIG. 15 is a perspective view of the small bag of the present invention, shown in another alternate separated configuration;  
 FIG. 16 is a front view thereof;  
 FIG. 17 is a back view thereof;  
 FIG. 18 is a right side view thereof;  
 FIG. 19 is a left side view thereof;  
 FIG. 20 is a top view thereof; and,  
 FIG. 21 is a bottom view thereof.

The dashed lines on the claimed surfaces that resemble stitching depict claimed stitching. All other broken lines in the figures depict environmental subject matter and form no part of the claimed design.

**1 Claim, 19 Drawing Sheets**



(56)

**References Cited**

U.S. PATENT DOCUMENTS

|              |      |         |                |                        |
|--------------|------|---------|----------------|------------------------|
| D715,541     | S *  | 10/2014 | Morszeck ..... | D3/232                 |
| D723,267     | S *  | 3/2015  | Basha .....    | D3/232                 |
| D765,967     | S *  | 9/2016  | Boroski .....  | D3/232                 |
| D766,571     | S *  | 9/2016  | Boroski .....  | D3/232                 |
| D811,723     | S *  | 3/2018  | Chen .....     | D3/206                 |
| D811,735     | S *  | 3/2018  | Molnar .....   | D3/233                 |
| D829,439     | S *  | 10/2018 | McCune .....   | D3/273                 |
| D838,971     | S *  | 1/2019  | Deanda .....   | D3/203.6               |
| D850,105     | S *  | 6/2019  | Case .....     | D3/289                 |
| D857,390     | S *  | 8/2019  | Kwon .....     | D3/301                 |
| D881,573     | S *  | 4/2020  | Liu .....      | D3/303                 |
| D882,943     | S *  | 5/2020  | Zhuang .....   | D3/217                 |
| D901,882     | S *  | 11/2020 | Tan .....      | D3/232                 |
| D901,889     | S *  | 11/2020 | Jacobs .....   | D3/245                 |
| D919,958     | S *  | 5/2021  | Peng .....     | D3/206                 |
| D932,184     | S *  | 10/2021 | Yang .....     | D3/262                 |
| 2005/0045500 | A1 * | 3/2005  | Mangano .....  | A45C 5/14<br>206/287.1 |
| 2018/0332937 | A1 * | 11/2018 | Shayne .....   | A45C 1/02              |

\* cited by examiner

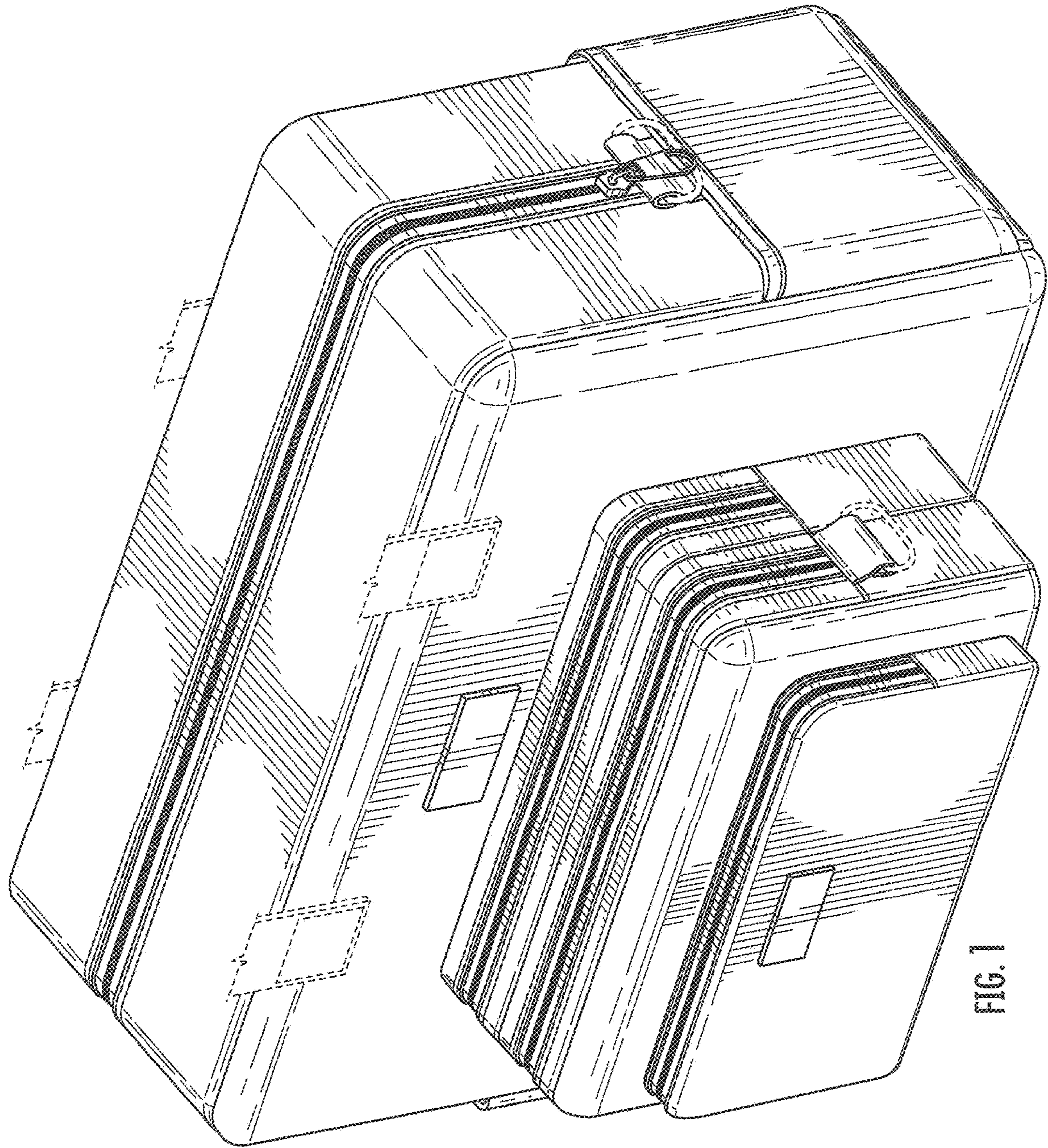


FIG. 1

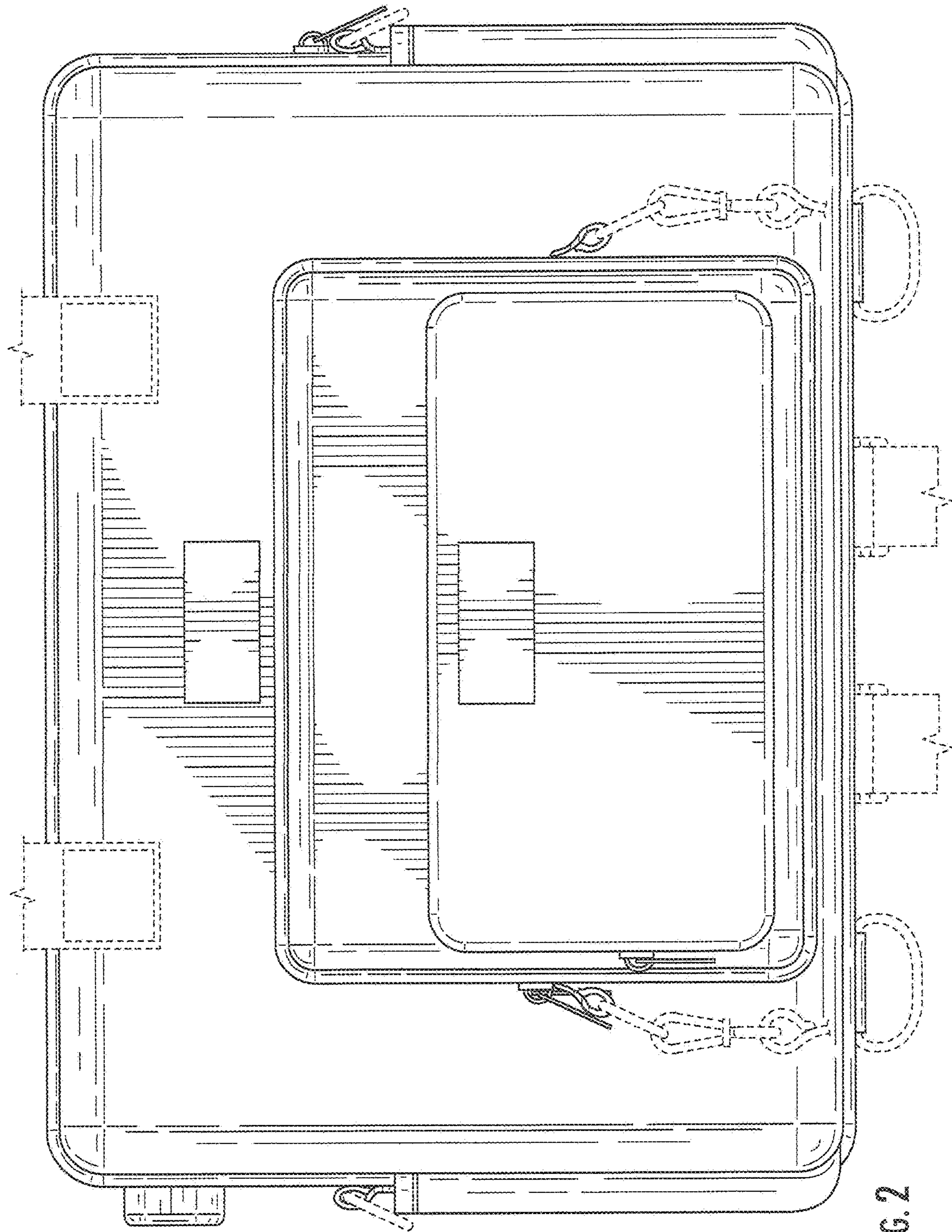


FIG. 2

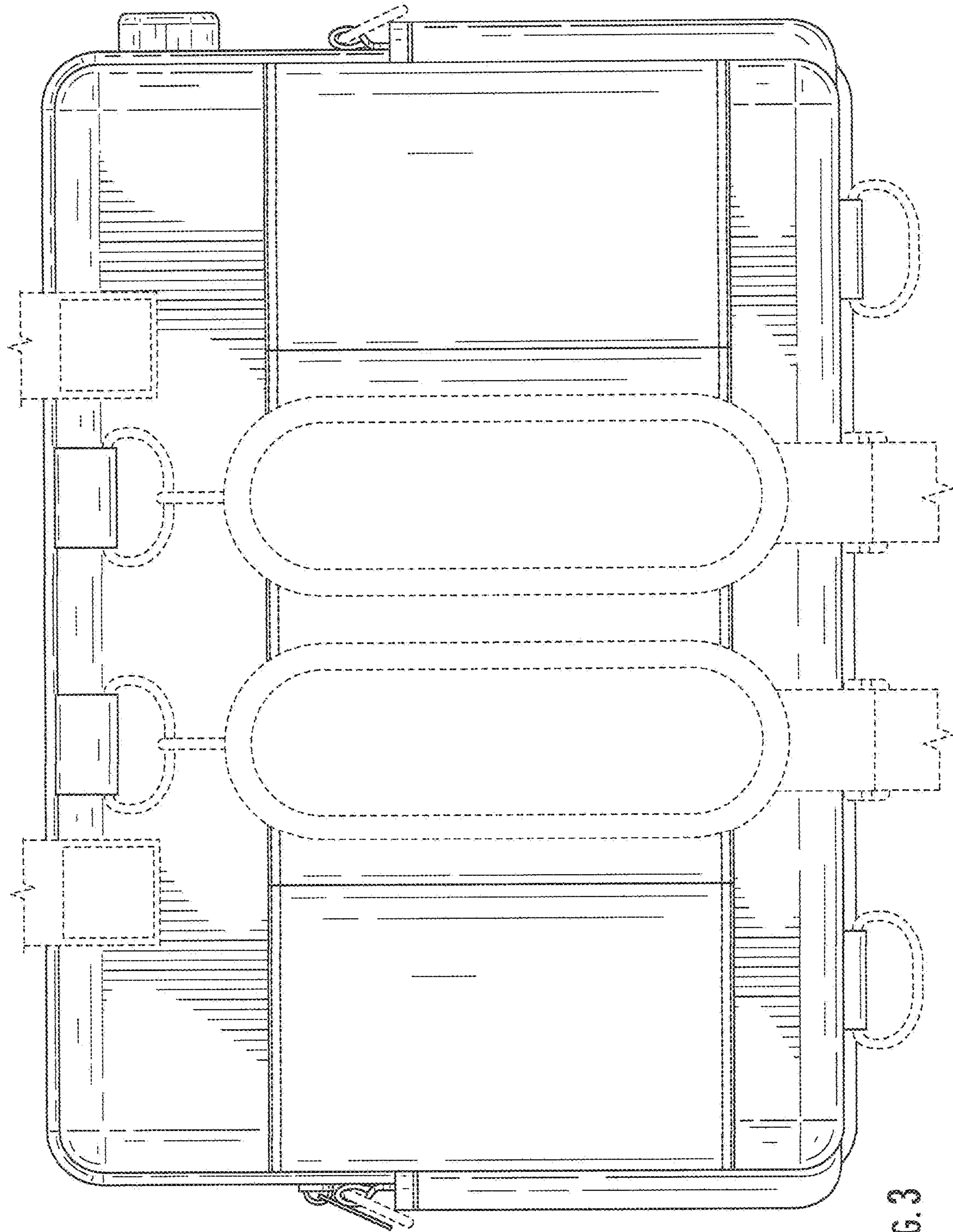


FIG. 3

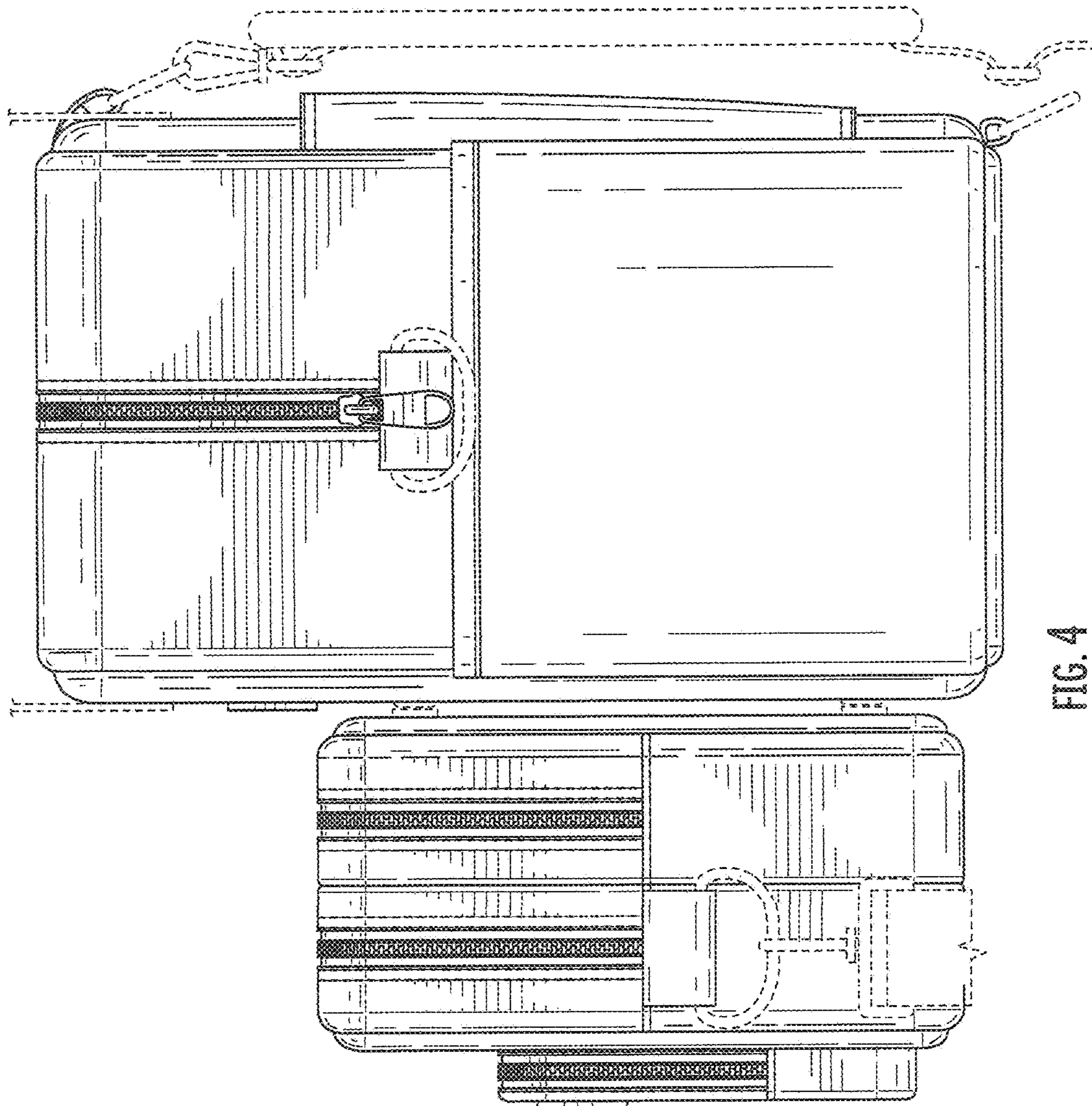


FIG. 4

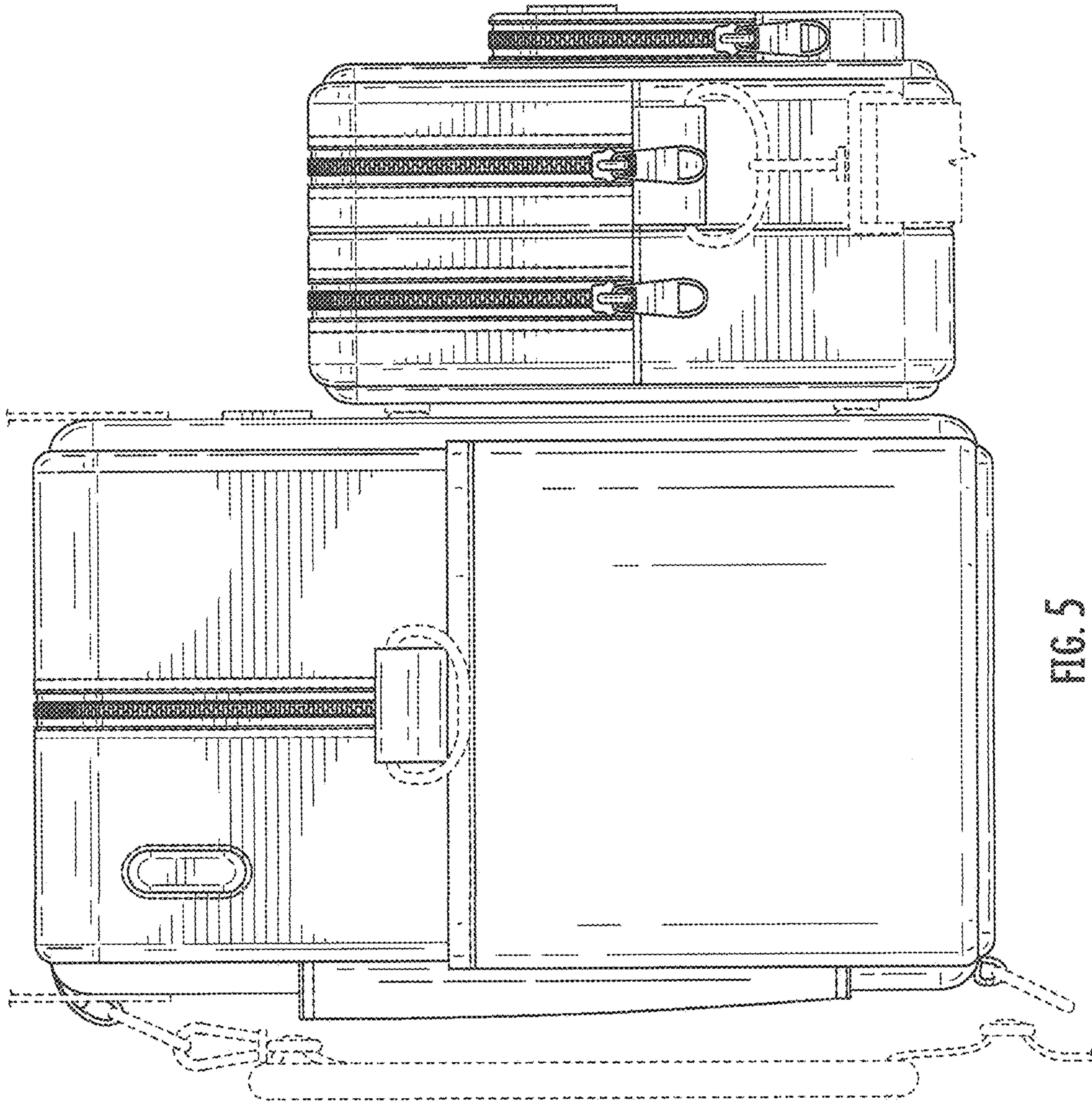


FIG. 5

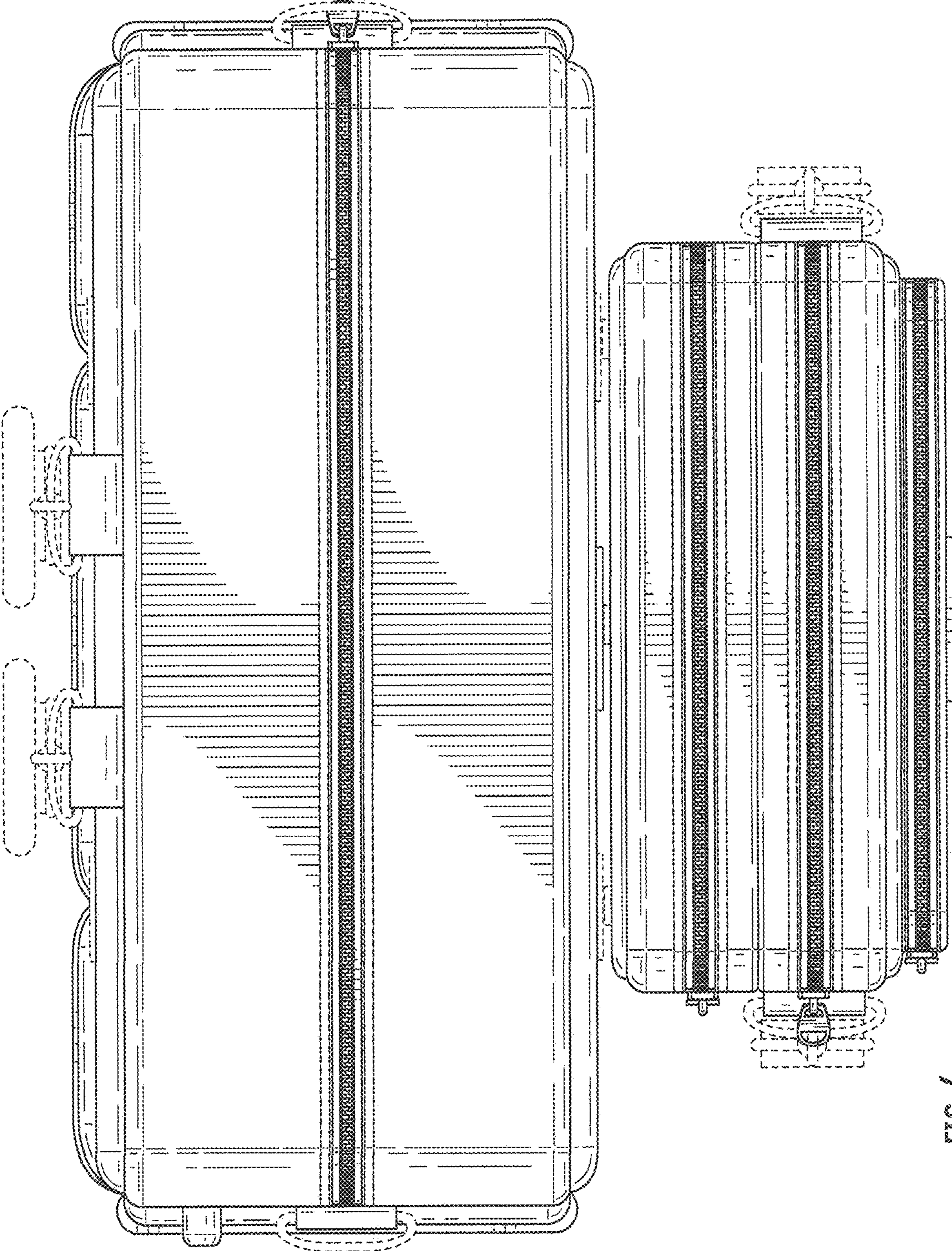


FIG. 6



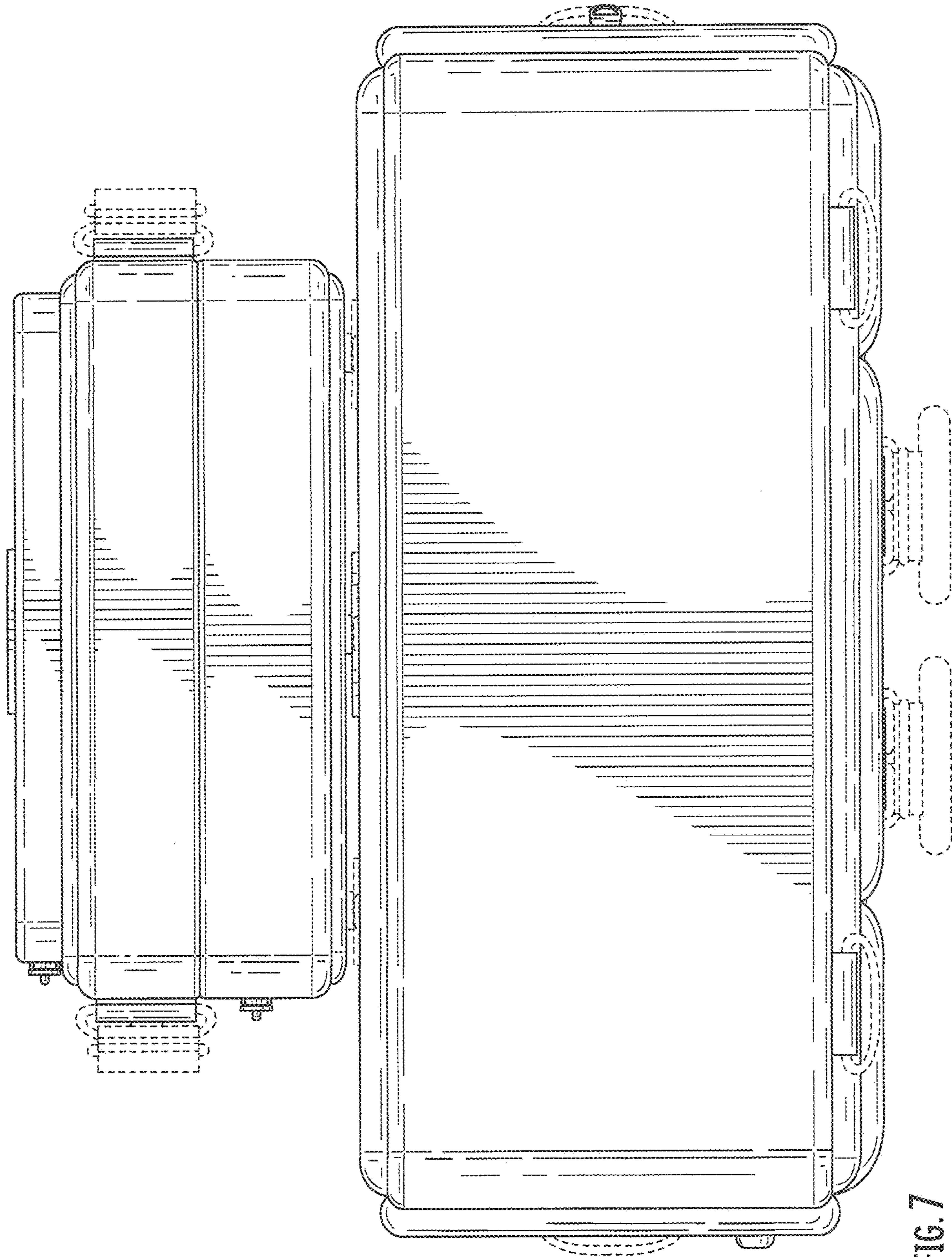


FIG. 7

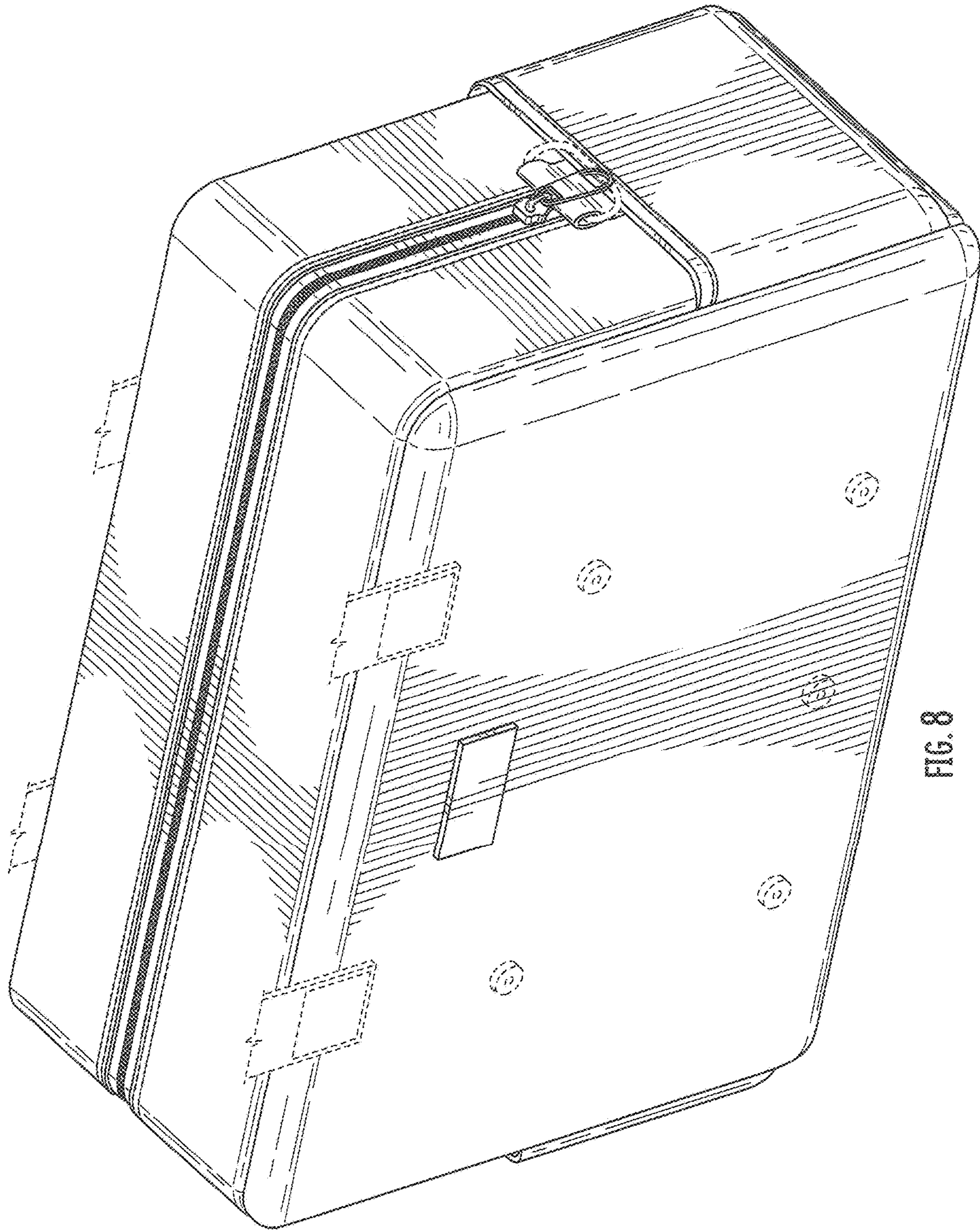


FIG. 8

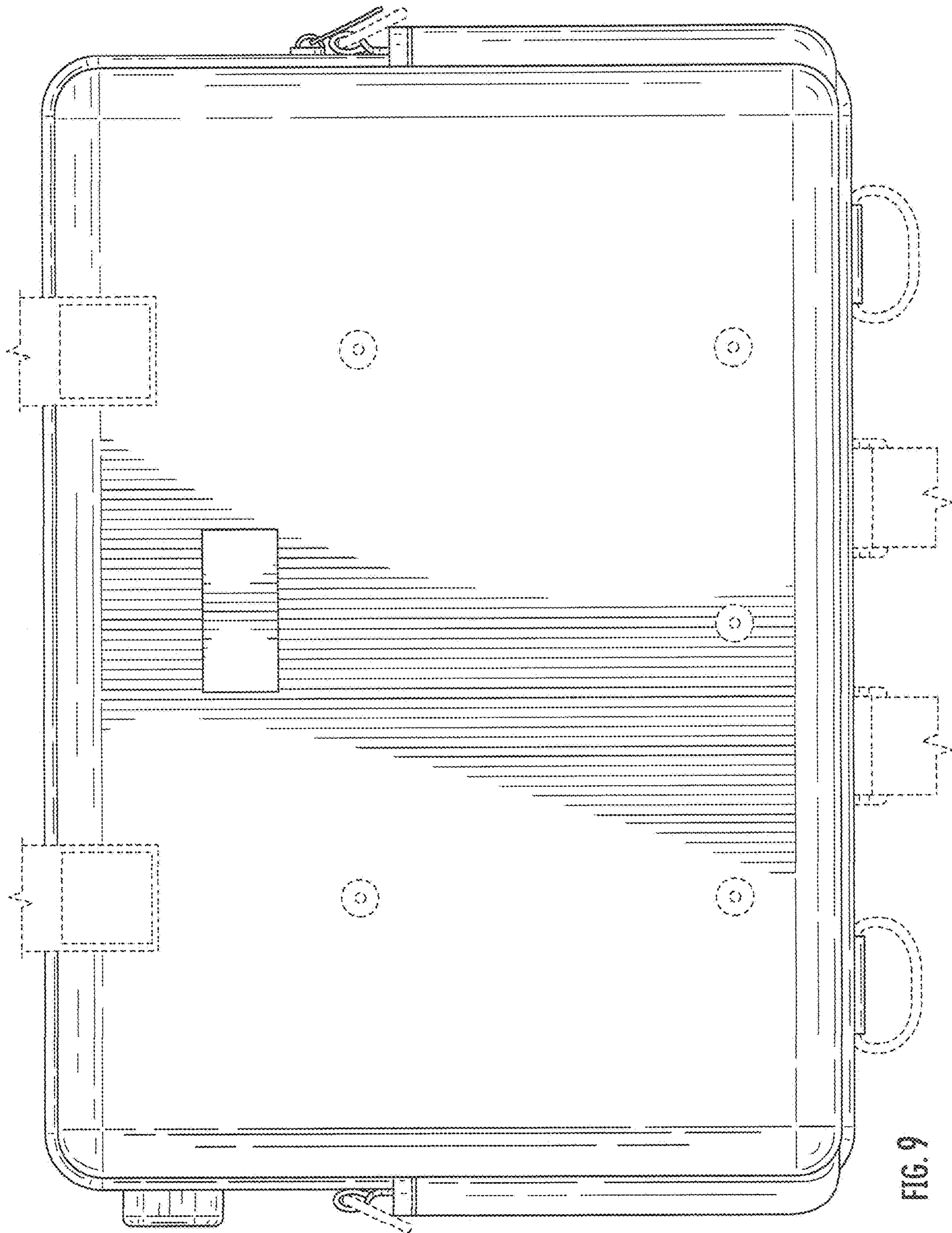


FIG. 9

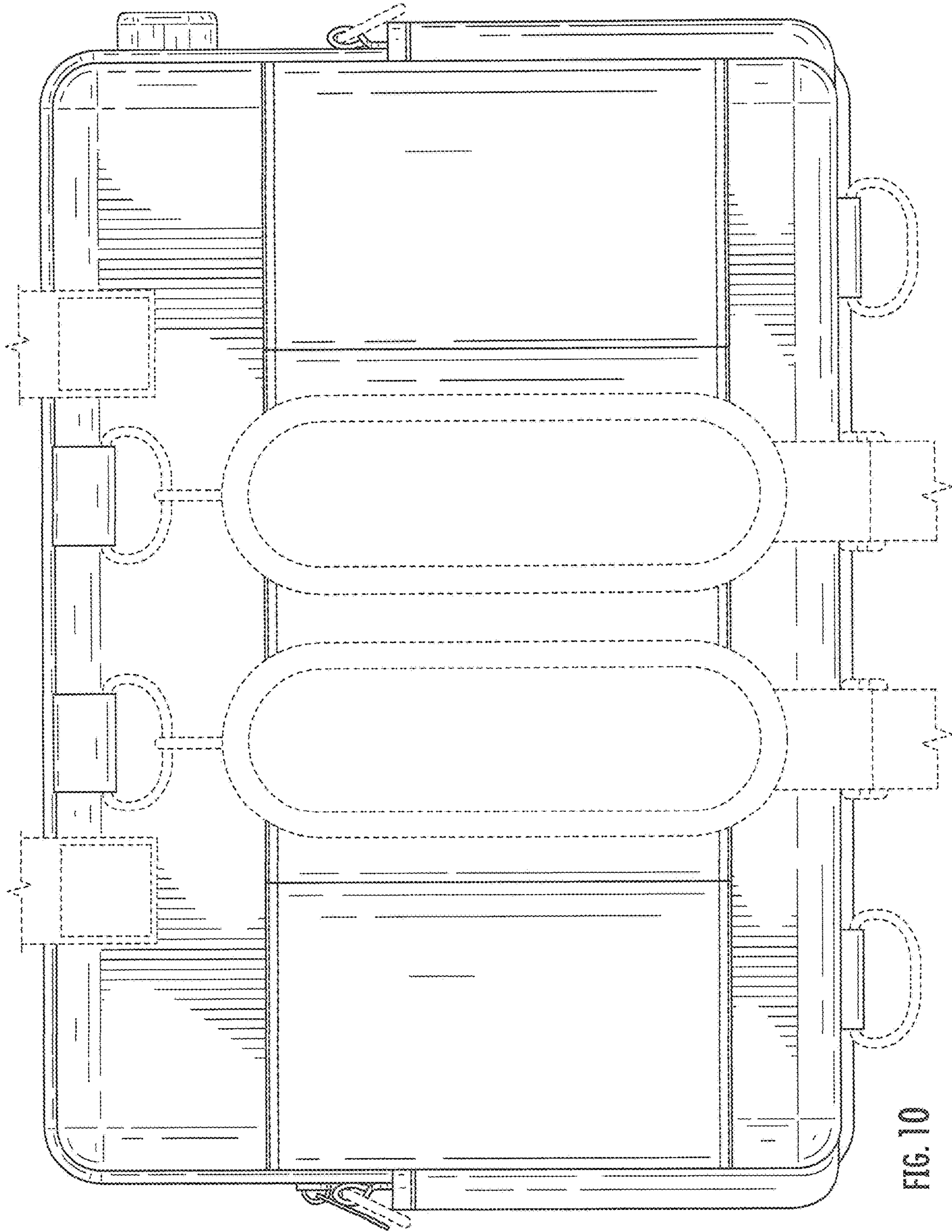


FIG. 10

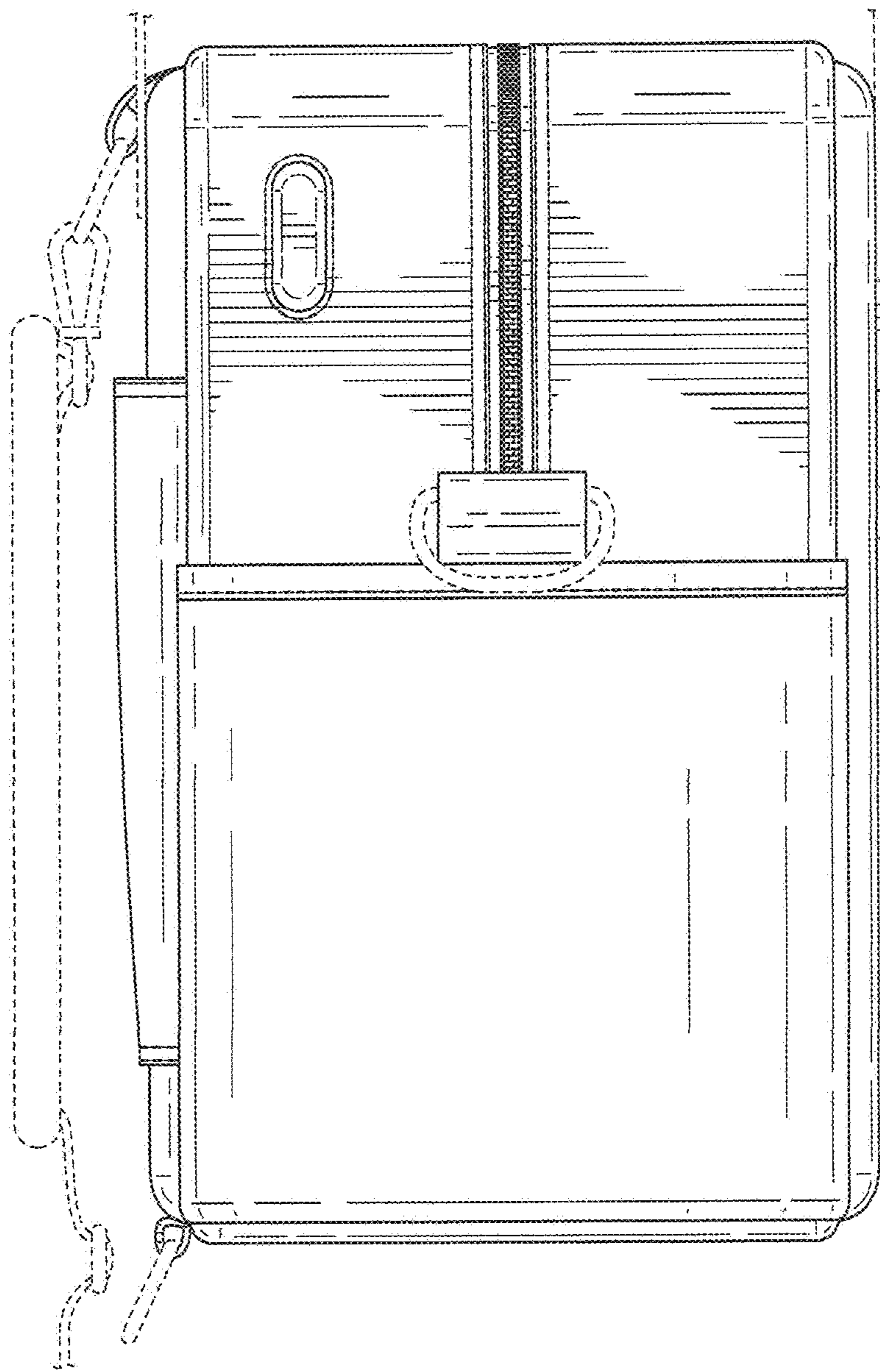


FIG. 11

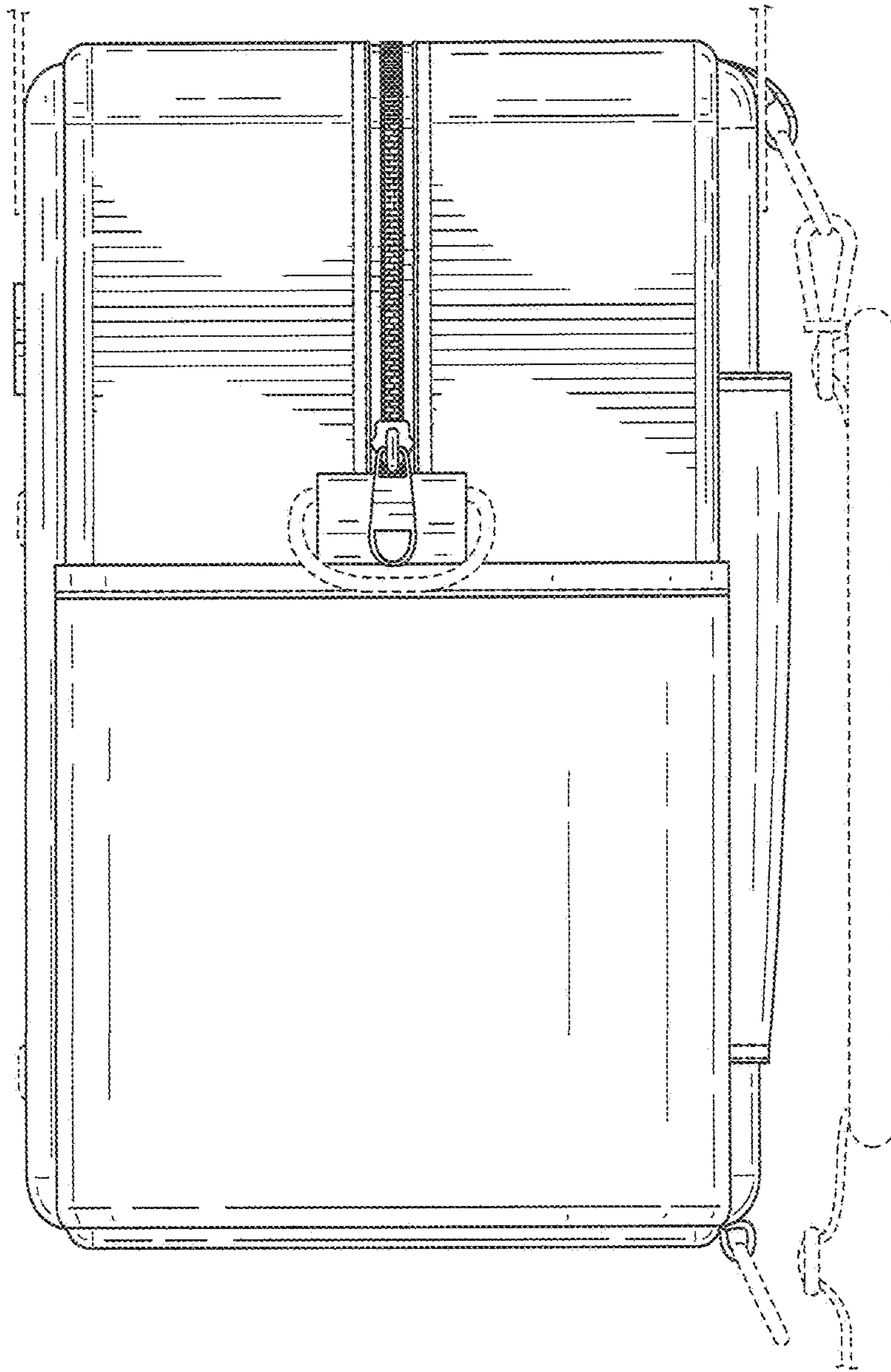


FIG. 12

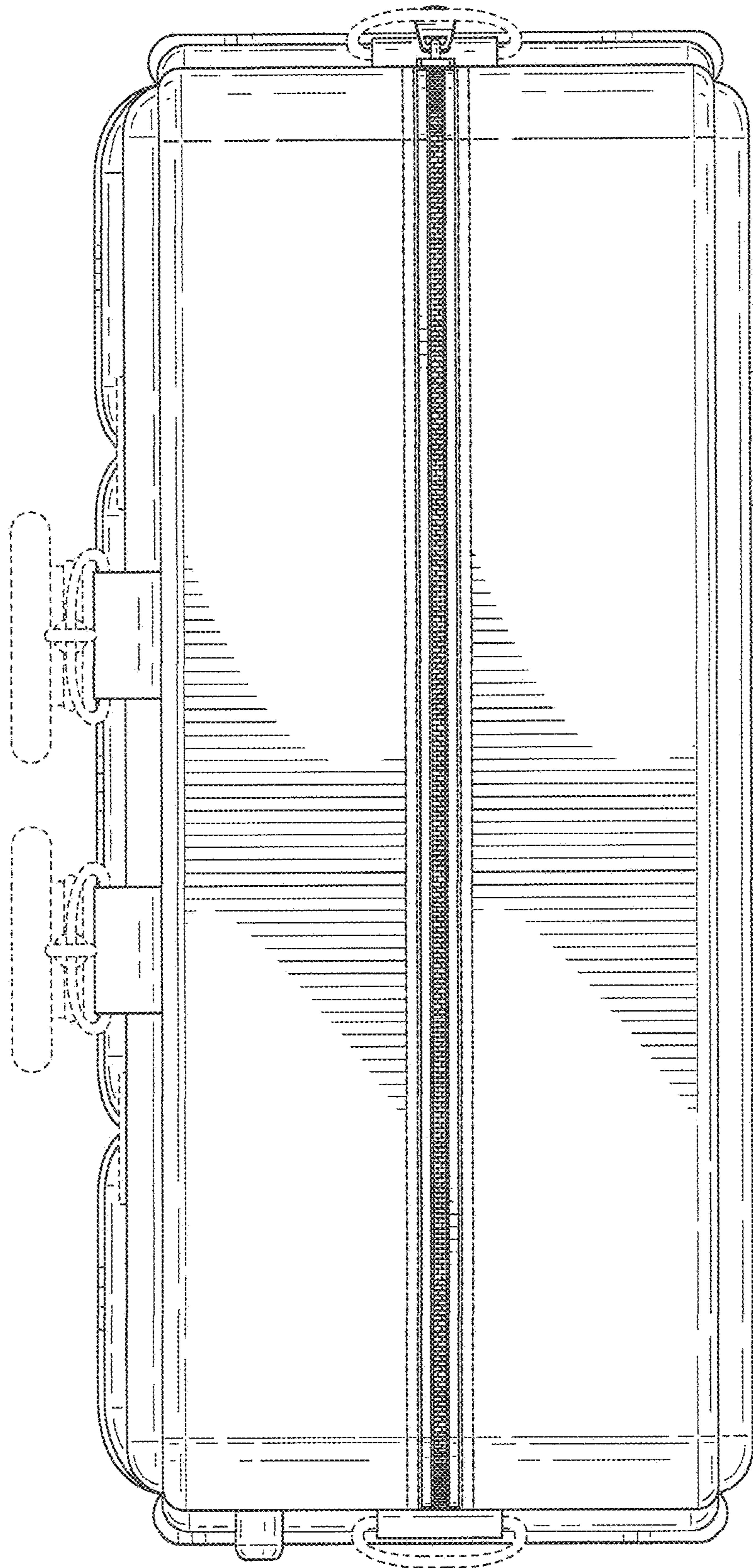


FIG. 13

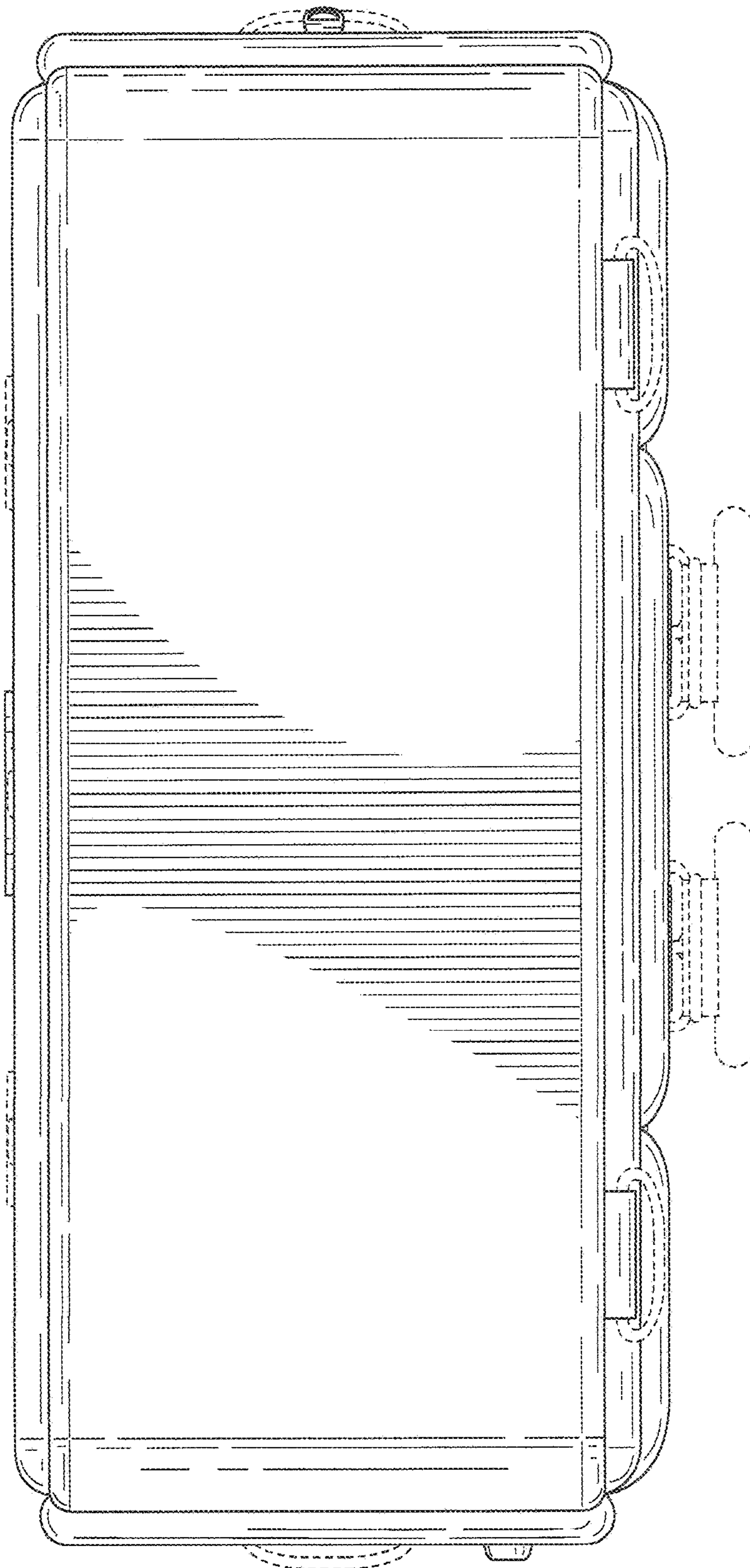


FIG. 14



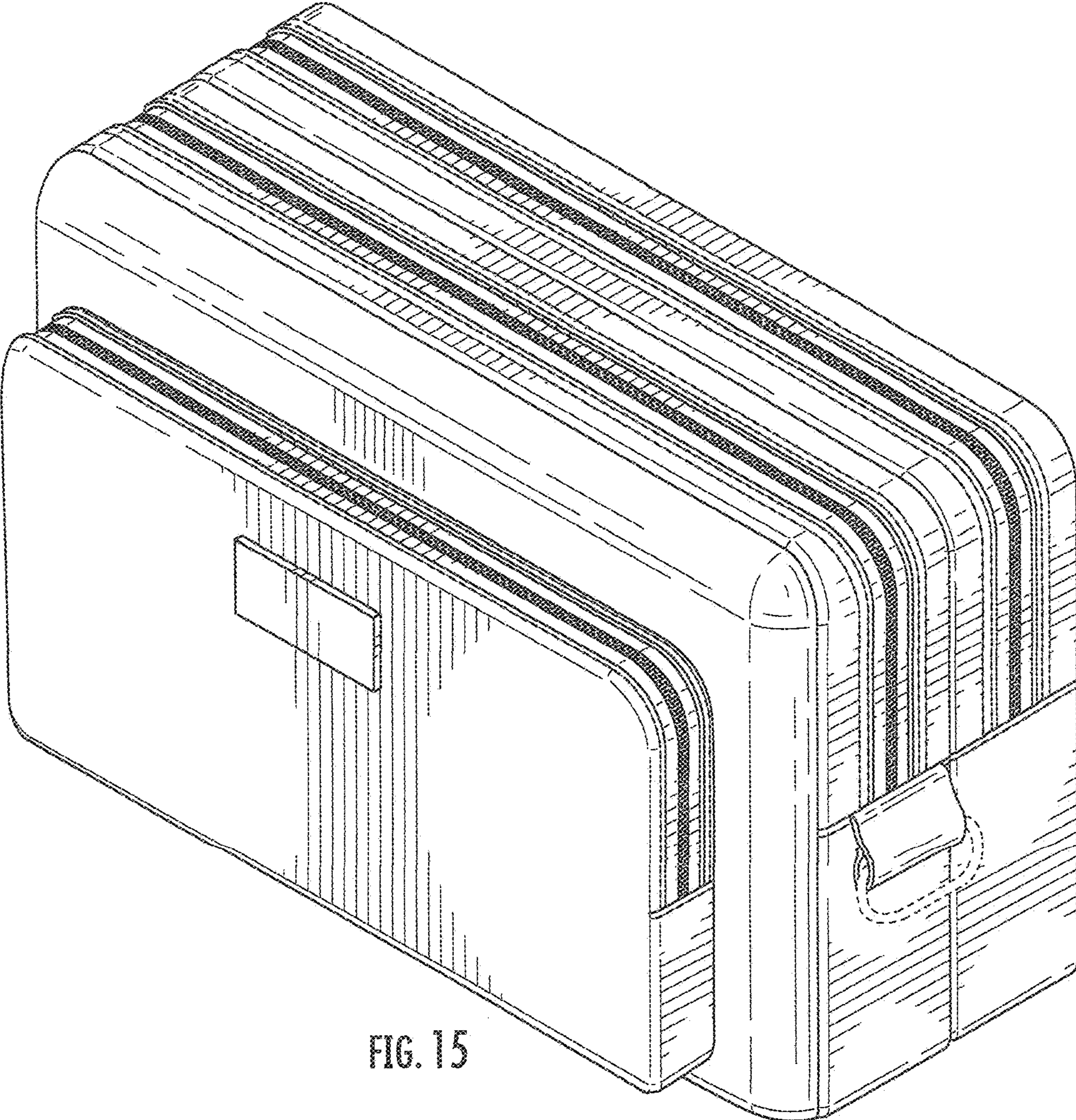


FIG. 15

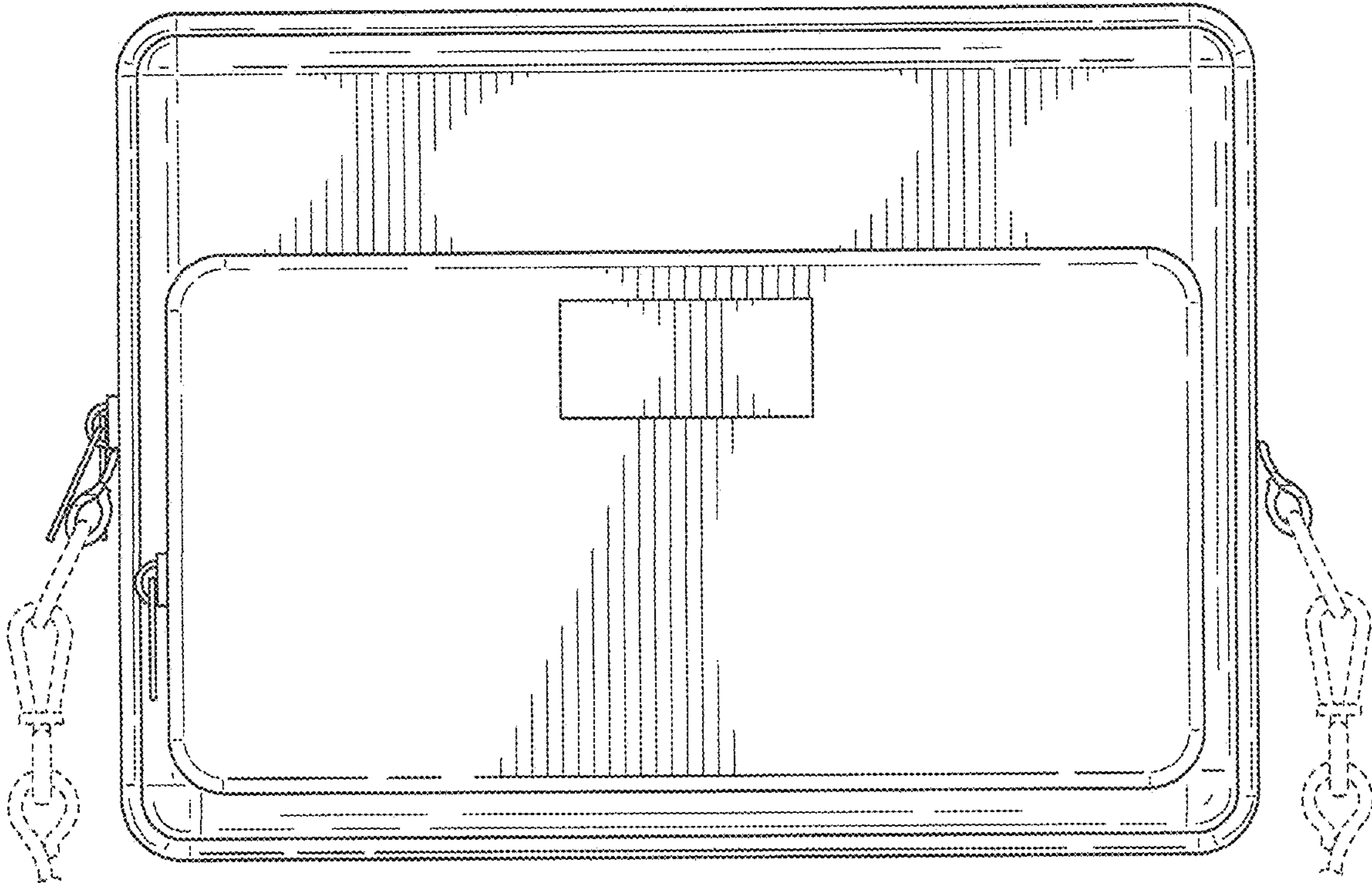


FIG. 16

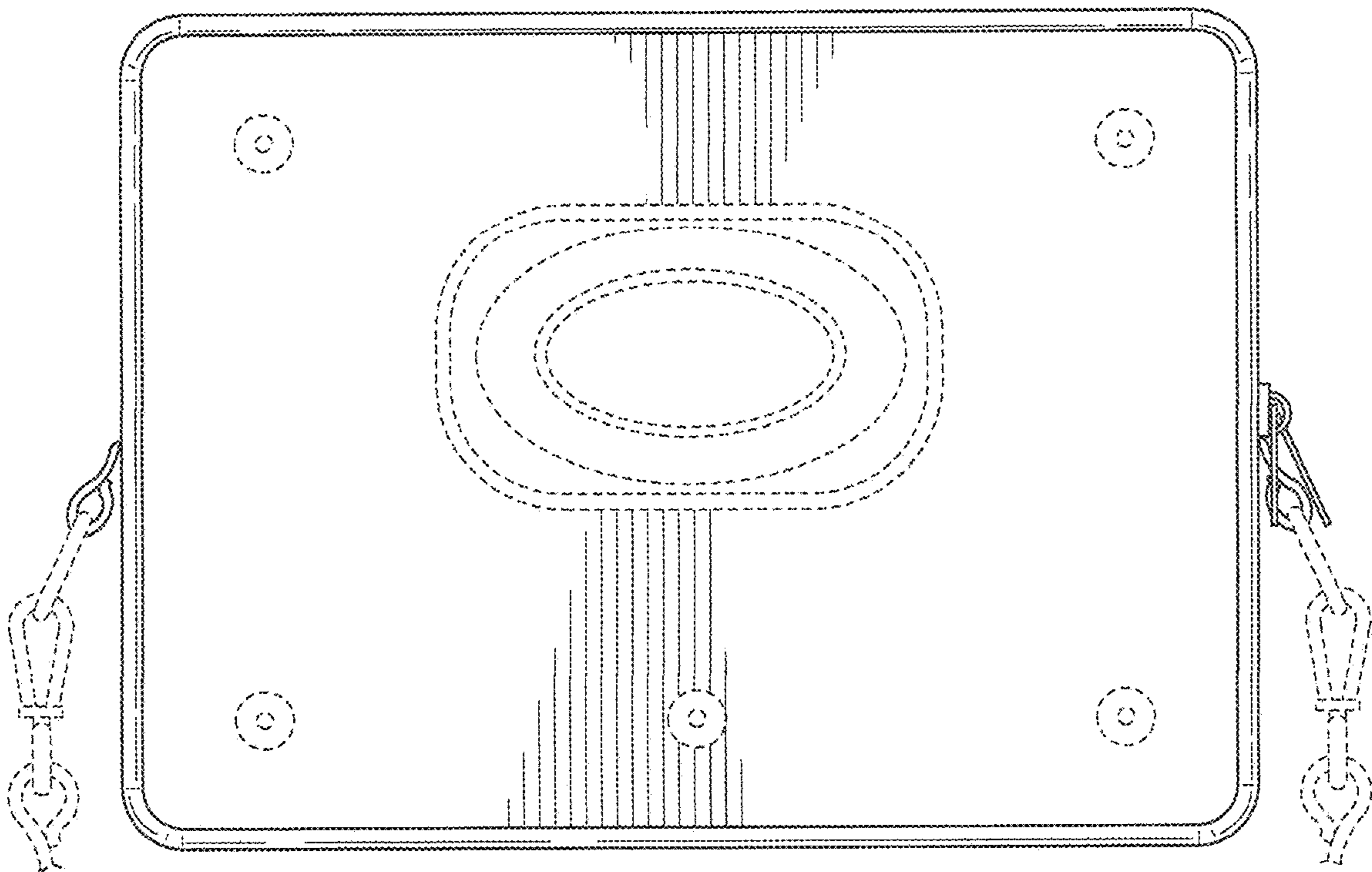


FIG. 17

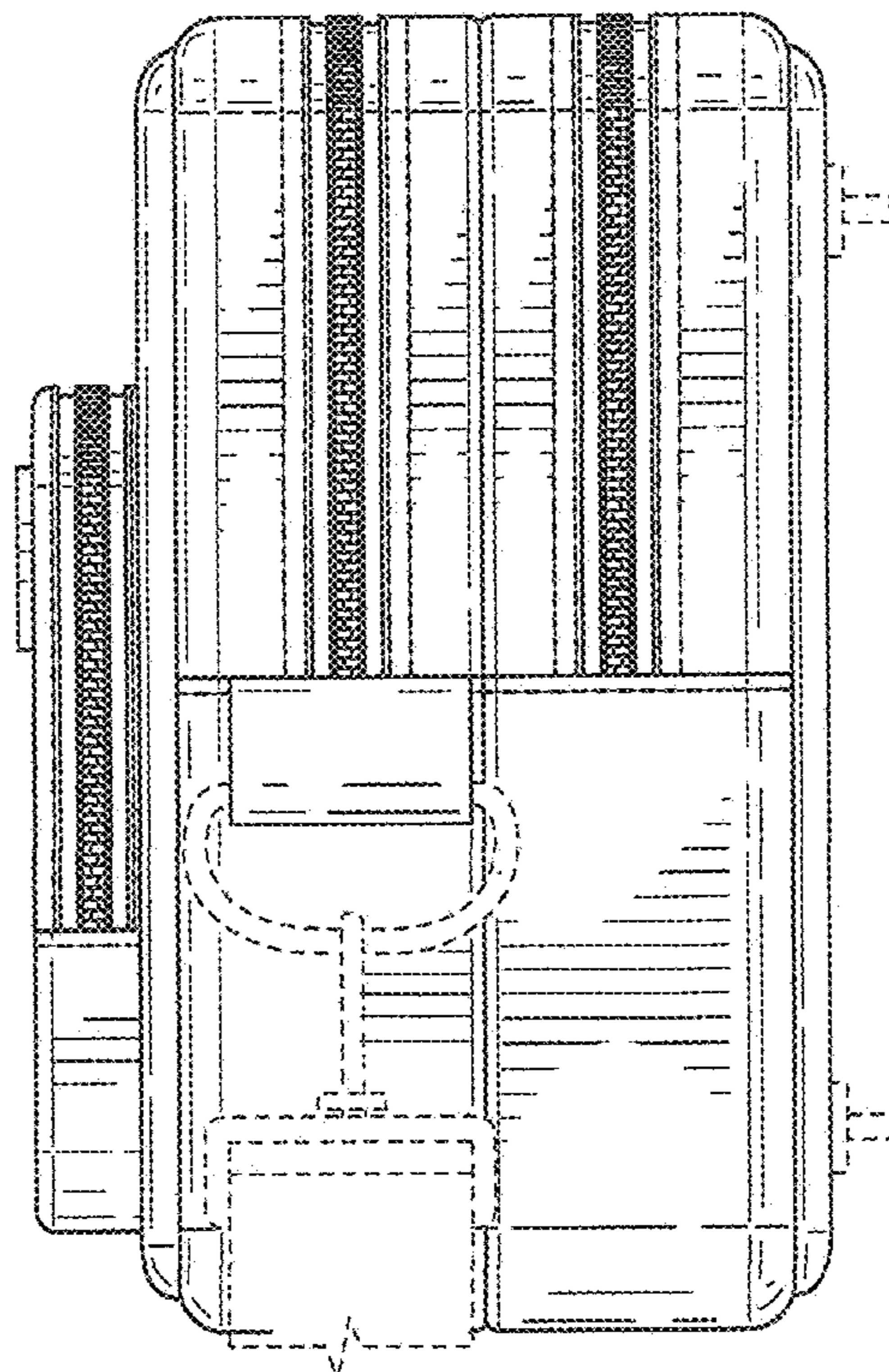


FIG. 18

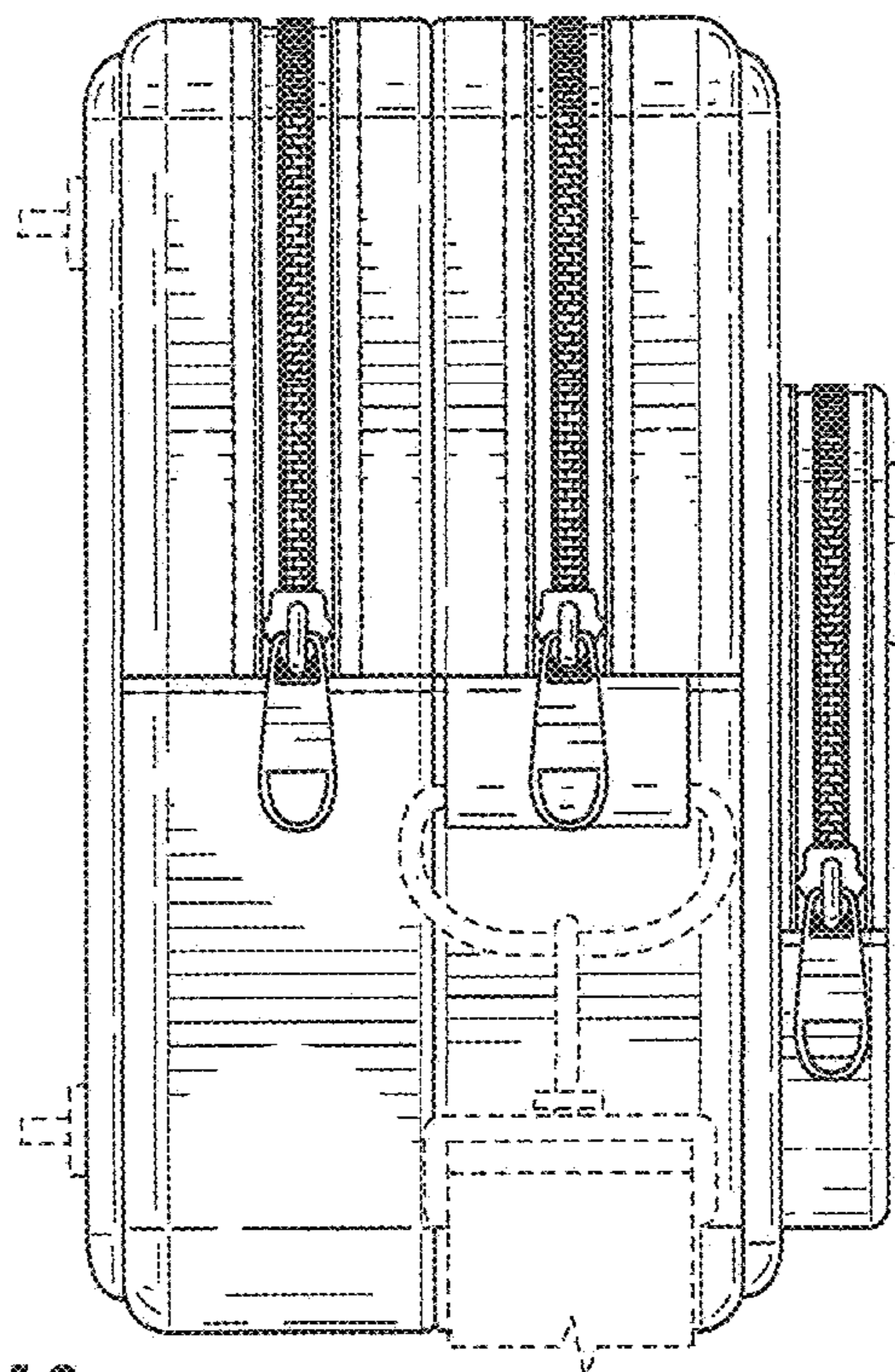


FIG. 19

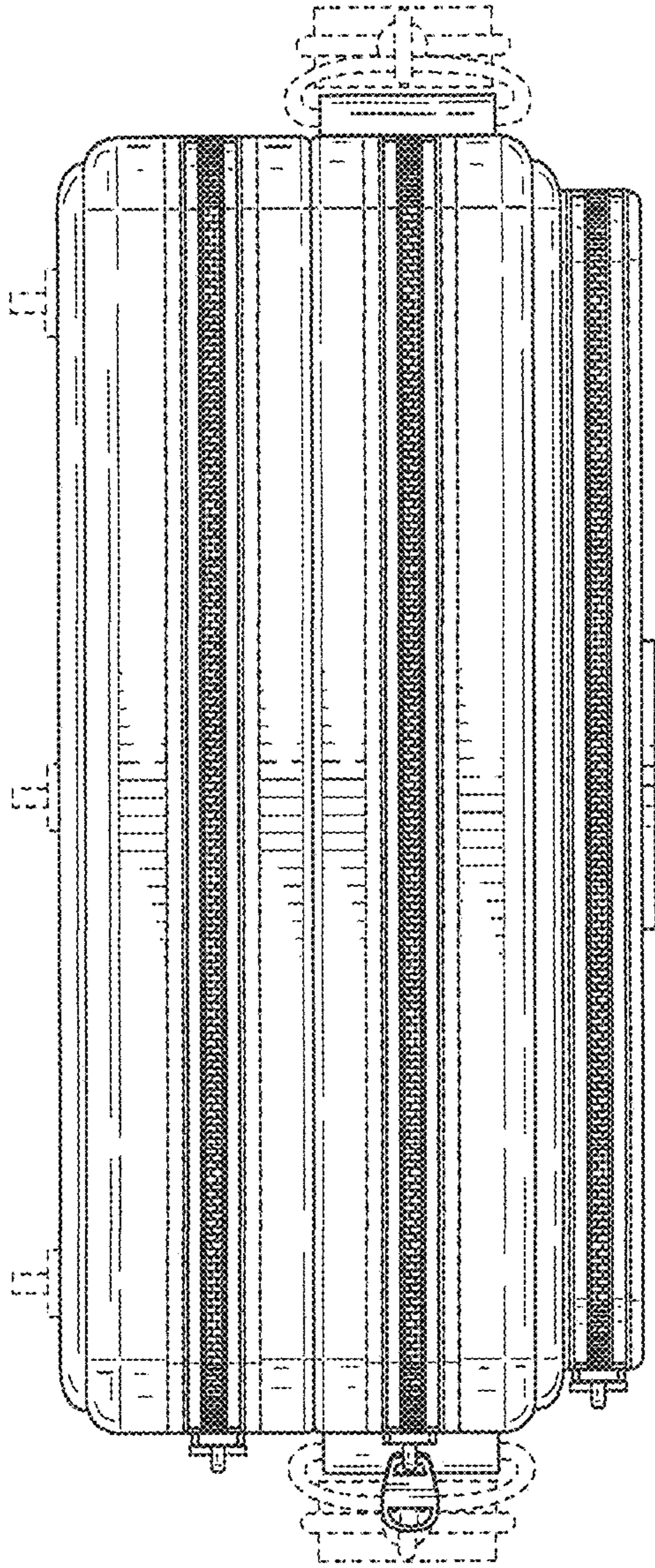


FIG. 20

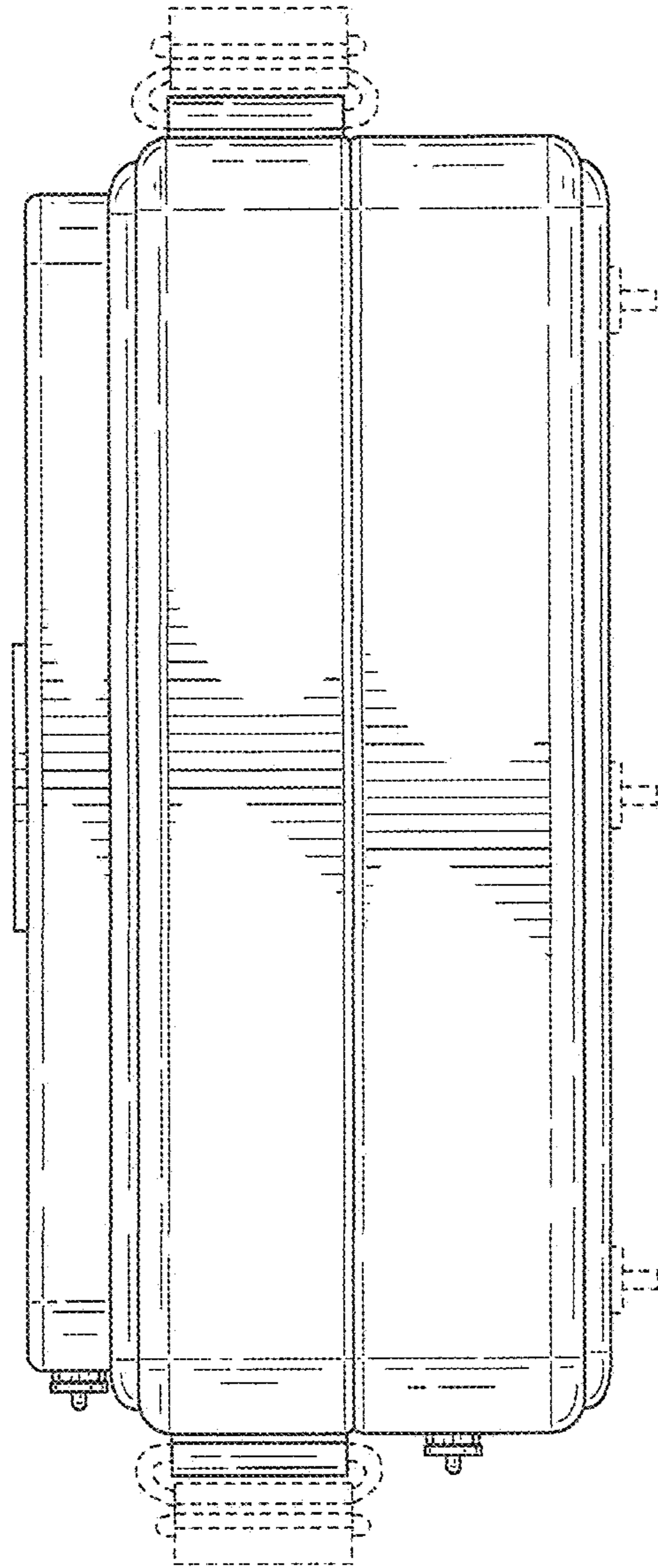


FIG. 21