

US00D949561S

(12) **United States Design Patent** (10) **Patent No.:** **US D949,561 S**
Huang (45) **Date of Patent:** **** Apr. 26, 2022**

(54) **PLASTIC STORAGE BOX**

(71) Applicant: **Fangfang Huang**, Ningbo (CN)

(72) Inventor: **Fangfang Huang**, Ningbo (CN)

(**) Term: **15 Years**

(21) Appl. No.: **29/764,397**

(22) Filed: **Dec. 30, 2020**

(51) **LOC (13) Cl.** **03-01**

(52) **U.S. Cl.**

USPC **D3/283**; D3/24; D3/302

(58) **Field of Classification Search**

USPC D3/20, 24, 25, 274, 276, 291, 302, 905,
D3/294

CPC A45F 3/48

See application file for complete search history.

(56) **References Cited**

U.S. PATENT DOCUMENTS

D408,630 S *	4/1999	Johnson	D3/276
D418,296 S *	1/2000	Kobayashi	D3/276
D434,225 S *	11/2000	Story	D3/276
D491,023 S *	6/2004	Kim	D3/302
D510,802 S	10/2005	Sagol		
D553,980 S	10/2007	VerWeyst et al.		
D708,941 S	7/2014	Das		
D739,228 S	9/2015	Jondal et al.		
D758,806 S *	6/2016	Morales	D7/629
D791,478 S	7/2017	Jowett et al.		
D798,054 S *	9/2017	Shpitzer	D3/283
D800,547 S	10/2017	Sill et al.		
D804,177 S *	12/2017	Zemel	D3/295
D848,147 S *	5/2019	Chen	D3/276
D882,953 S *	5/2020	Scofield	D3/294

OTHER PUBLICATIONS

Amazon, "New brothread 40 Brother Colors 500m Each Embroidery Machine Thread with Clear Plastic Storage Box . . .", First on sale Nov. 9, 2020. (<https://www.amazon.com/New-brothread-Brother-Embroidery-Machine/dp/B08MZXV62X>) (Year: 2020).*

Amazon, "Simthread Embroidery Machine Thread 40 Brother Colors with Storage Box", First on sale Jul. 26, 2017. (<https://www.amazon.com/Polyester-Embroidery-Machine-Thread-Storage/dp/B07CP3B7GY?th=1>) (Year: 2017).*

* cited by examiner

Primary Examiner — April Rivas

(74) *Attorney, Agent, or Firm* — Rumit Ranjit Kanakia

(57) **CLAIM**

I claim the ornamental design for a plastic storage box, as shown and described.

DESCRIPTION

FIG. 1 is a Perspective view of a plastic storage box showing my new design;

FIG. 2 is a Front view thereof;

FIG. 3 is a Back view thereof;

FIG. 4 is a Right-side view thereof;

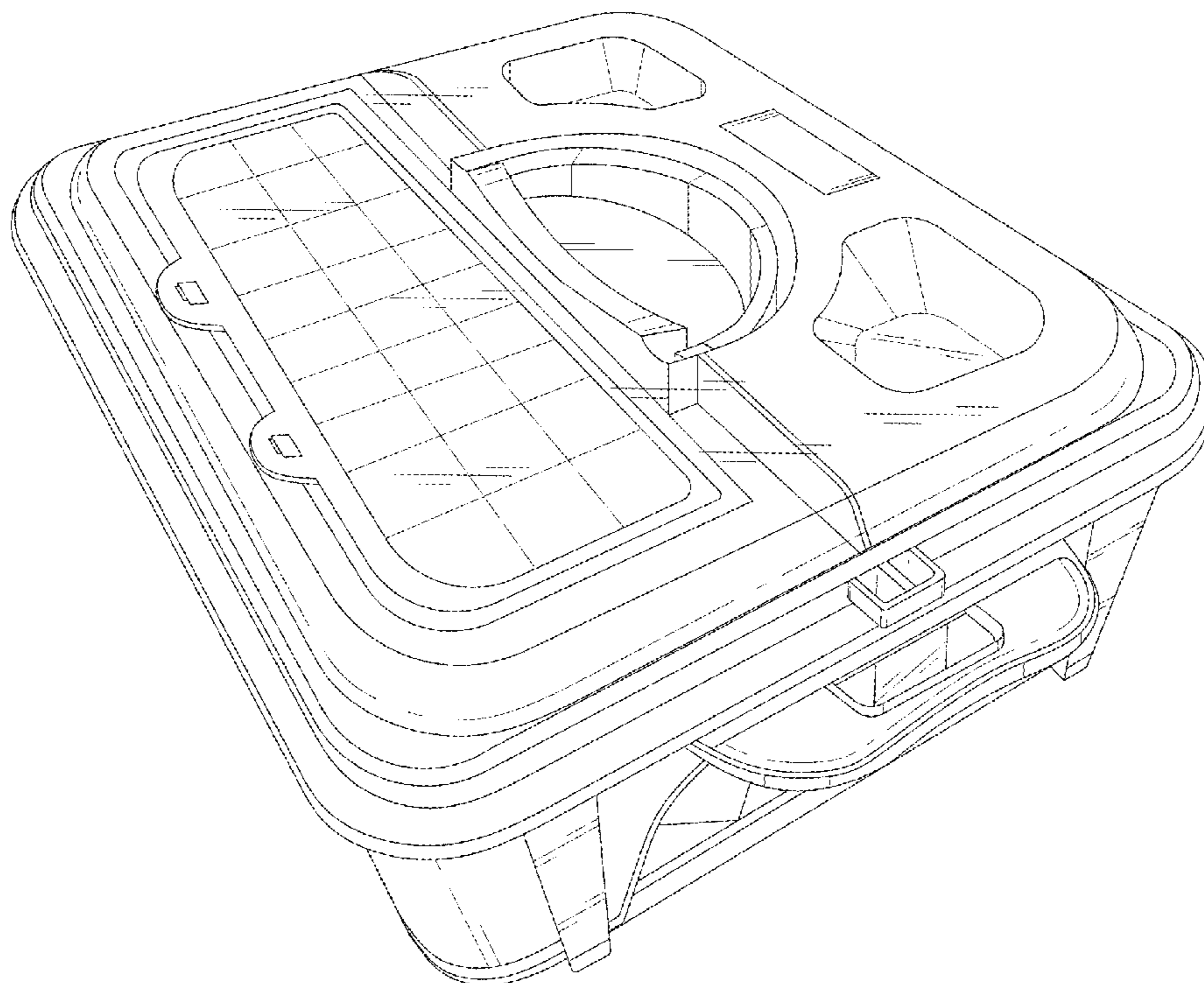
FIG. 5 is a Left-side view thereof;

FIG. 6 is a Top view thereof; and,

FIG. 7 is a Bottom view thereof.

The broken lines in the drawings depict portions of the plastic storage box that form no part of the claimed design.

1 Claim, 6 Drawing Sheets



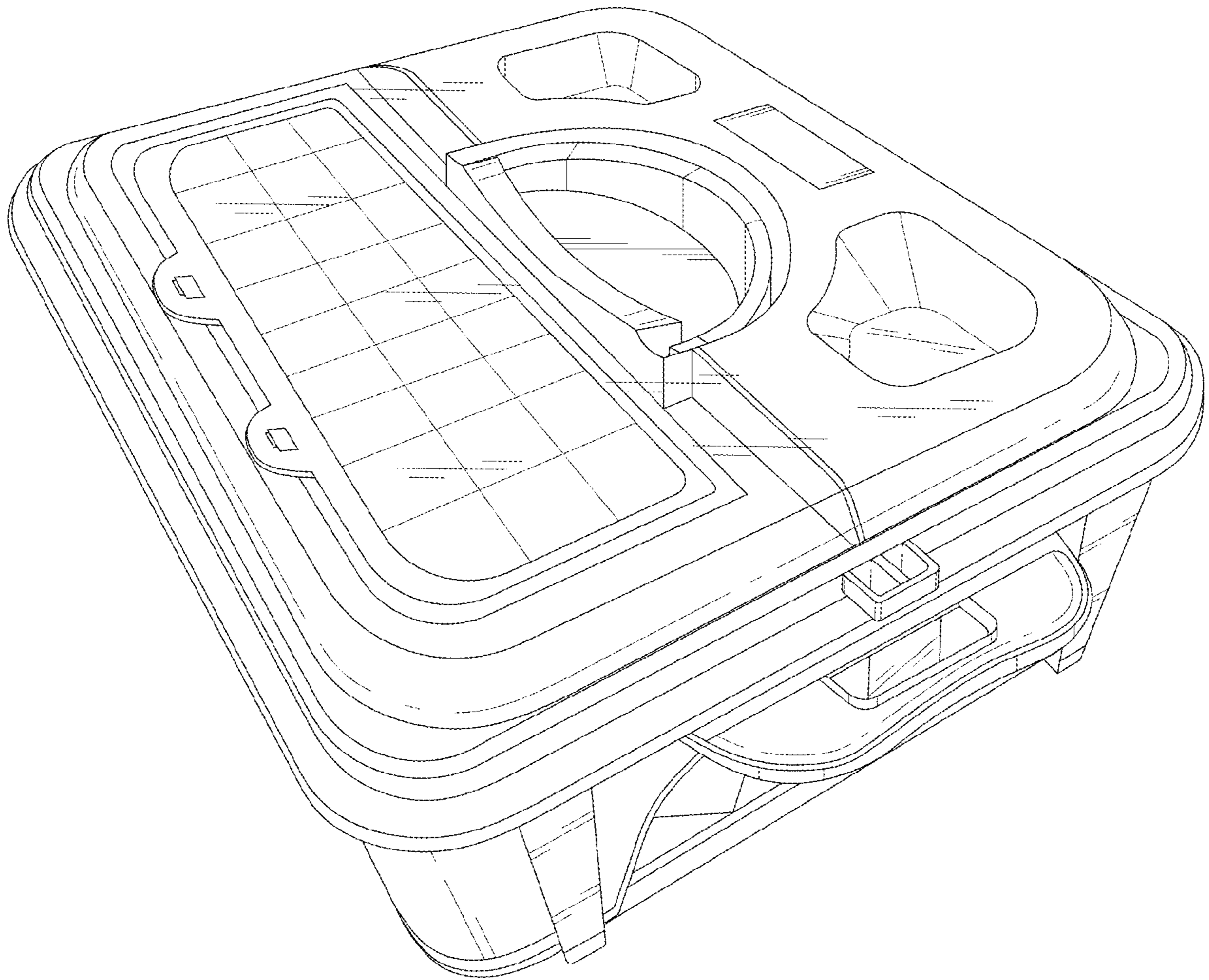


FIG. 1

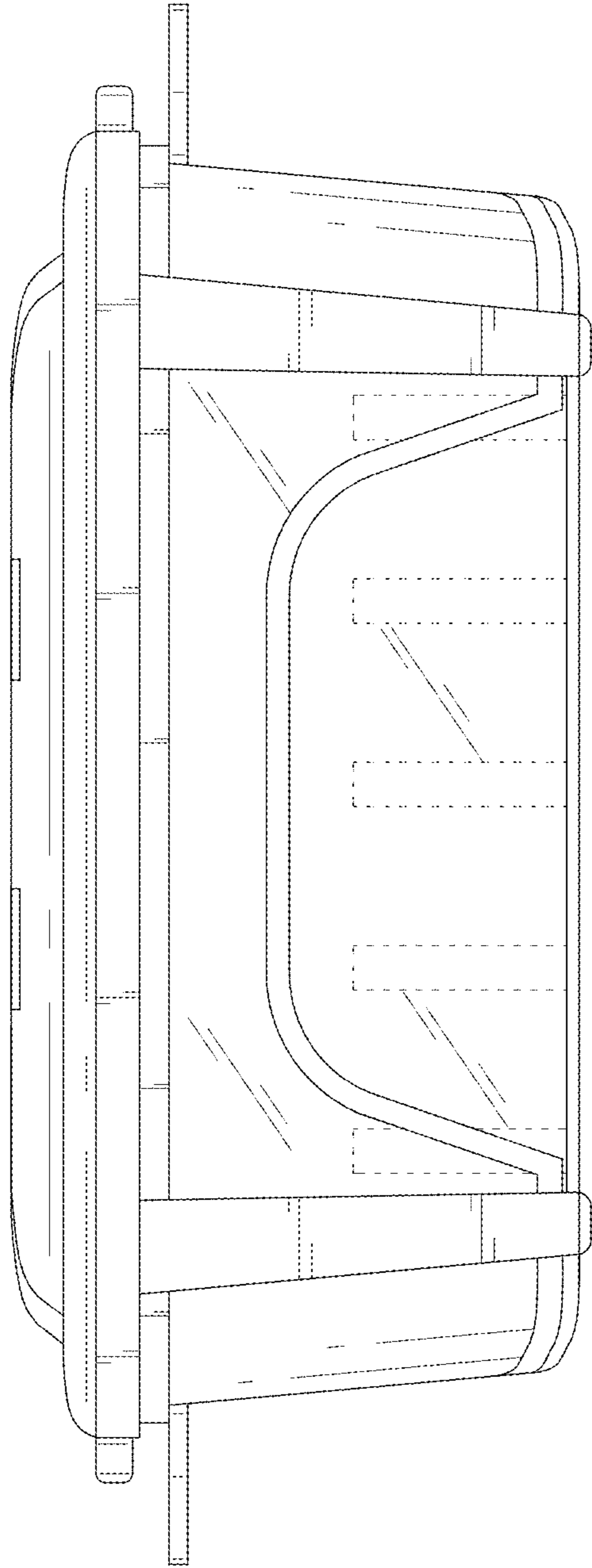


FIG. 2

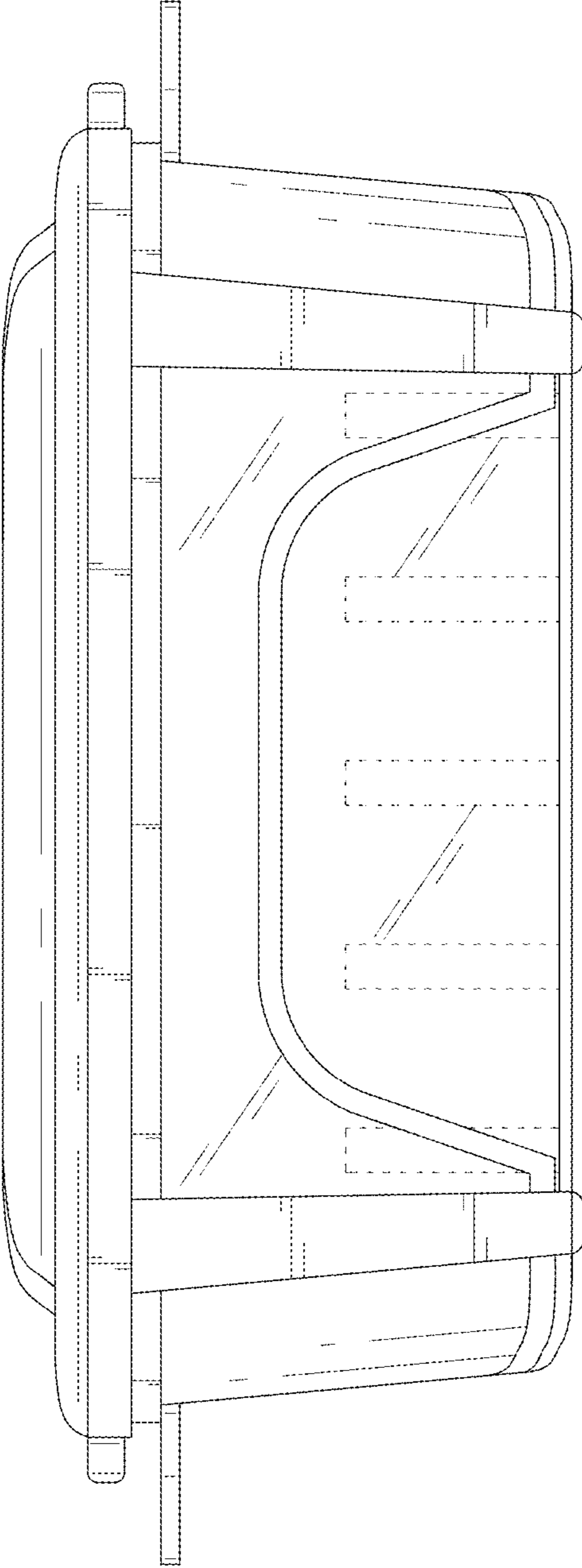


FIG. 3

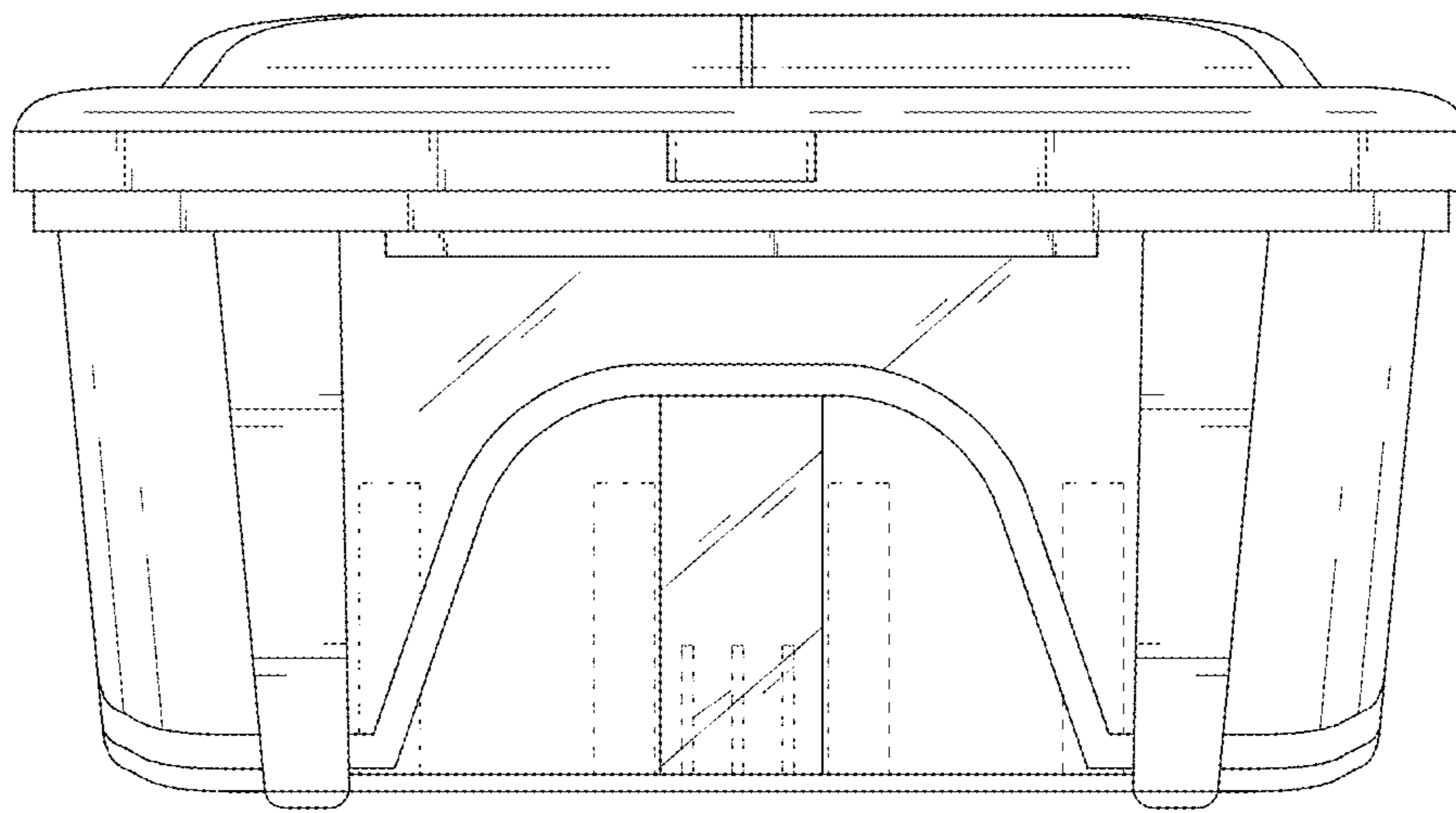


FIG. 4

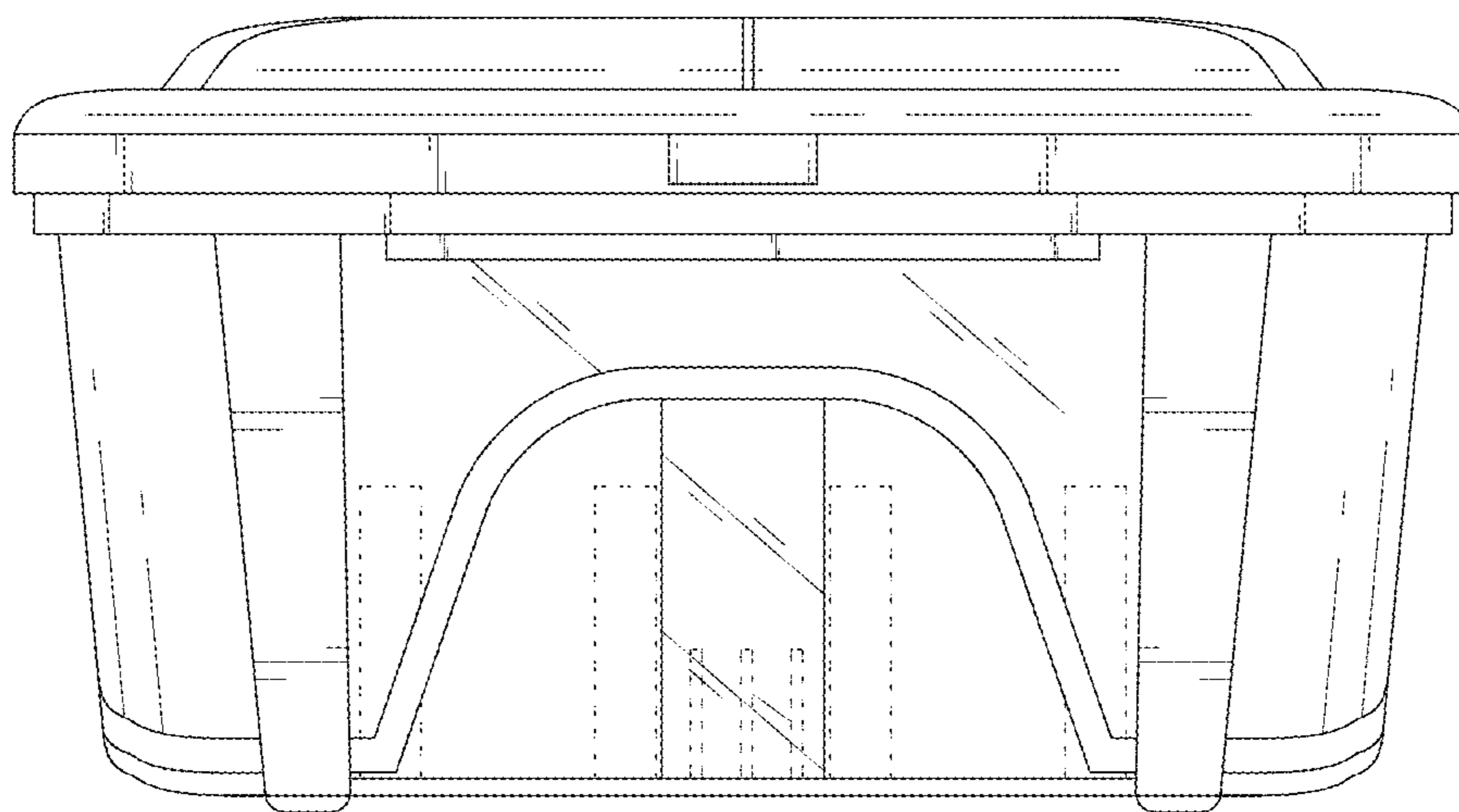


FIG. 5

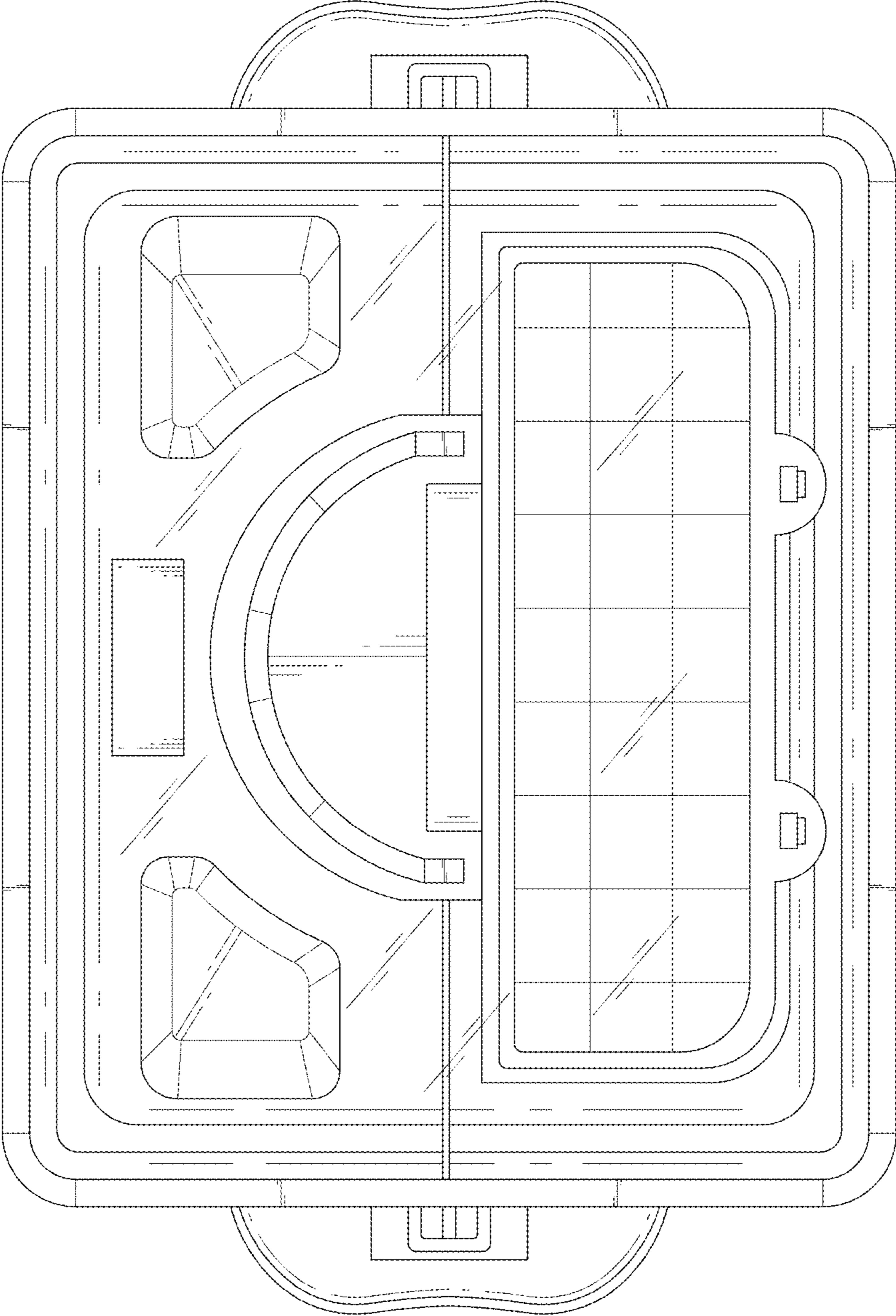


FIG. 6

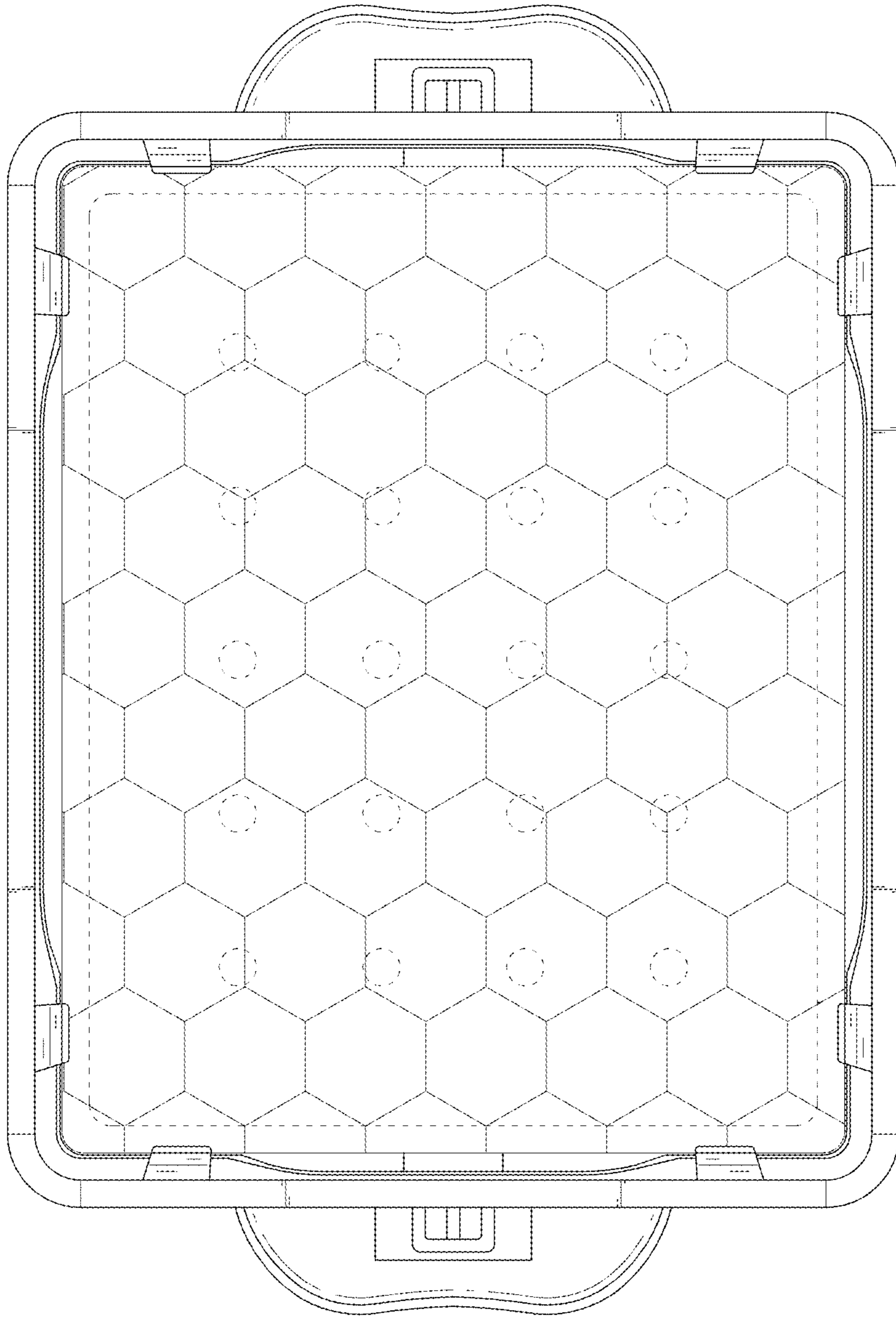


FIG. 7