



US00D949557S

(12) **United States Design Patent** (10) **Patent No.:** **US D949,557 S**
Sullivan et al. (45) **Date of Patent:** **** Apr. 26, 2022**

(54) **SUITCASE**

(71) Applicant: **YETI Coolers, LLC**, Austin, TX (US)

(72) Inventors: **Derek G. Sullivan**, Austin, TX (US);
Steve Charles Nichols, Austin, TX (US); **Christopher Kalck**, Austin, TX (US)

(73) Assignee: **YETI Coolers, LLC**, Austin, TX (US)

(**) Term: **15 Years**

(21) Appl. No.: **29/763,693**

(22) Filed: **Dec. 23, 2020**

(51) **LOC (13) Cl.** **03-01**

(52) **U.S. Cl.**
USPC **D3/279; D3/289**

(58) **Field of Classification Search**
USPC D3/203.1–203.2, 203.5–203.6, 206, 254,
D3/263, 267–268, 272–273, 276, 279,
(Continued)

(56) **References Cited**

U.S. PATENT DOCUMENTS

D358,031 S 5/1995 Aumasson
D383,603 S 9/1997 Pedlar
(Continued)

FOREIGN PATENT DOCUMENTS

BX 87976-001 3/2019
CN 3047512 8/1996
(Continued)

OTHER PUBLICATIONS

“When YETIs Fly: ‘Crossroads’ Luggage First Look”, article by Adam Ruggiero for Gear Junkie, posted Feb. 18, 2021, gearjunkie.

com [online], [site visited Dec. 23, 2021], Available at URL: <https://gearjunkie.com/travel/yeti-crossroads-luggage-review> (Year: 2021).*

(Continued)

Primary Examiner — Michelle E. Wilson
Assistant Examiner — Caitlin A Laverty
(74) *Attorney, Agent, or Firm* — Banner & Witcoff, Ltd.

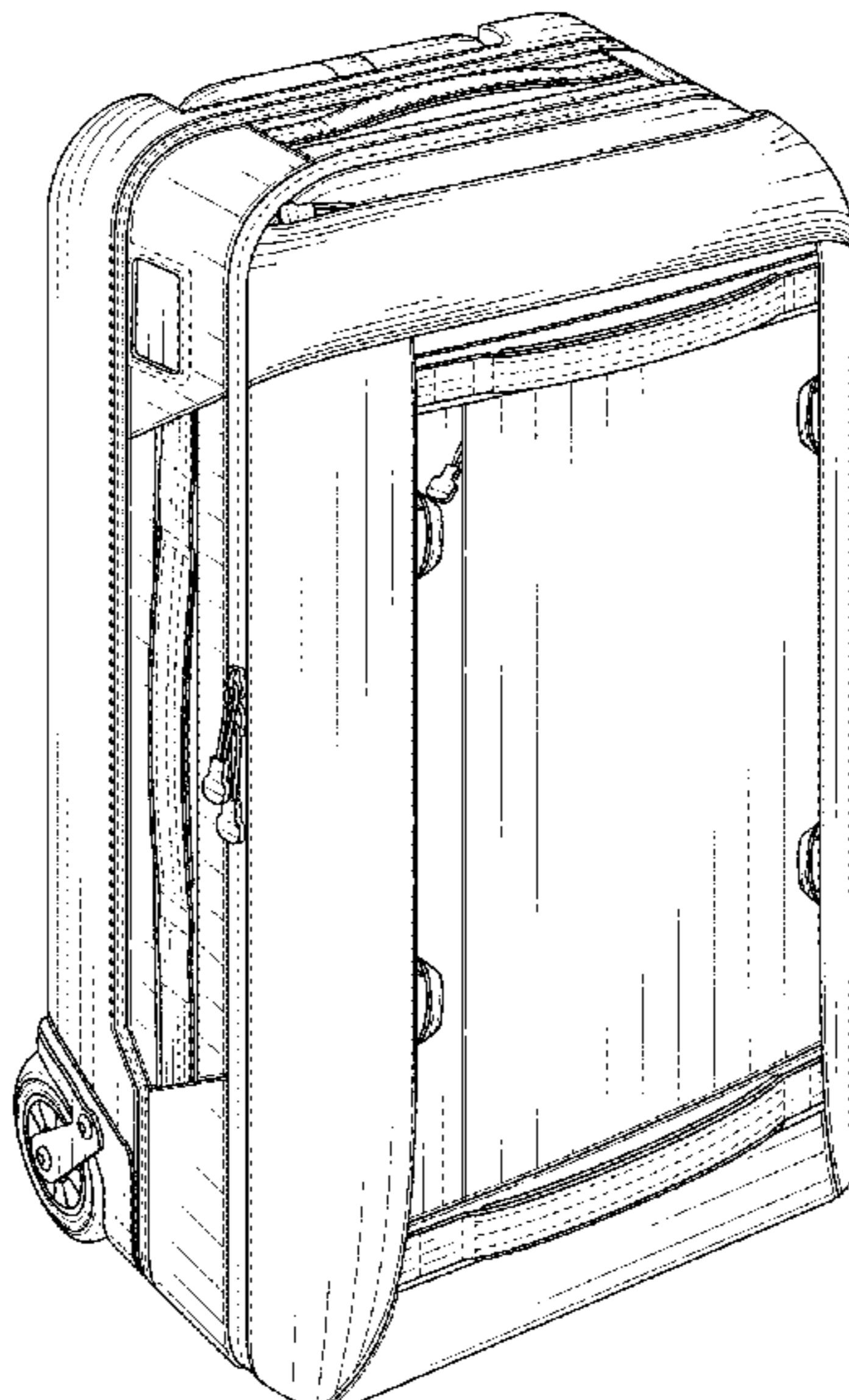
(57) **CLAIM**

The ornamental design for a suitcase, as shown and described.

DESCRIPTION

FIG. 1 is a front perspective view of a suitcase showing our new design;
FIG. 2 is a front view thereof;
FIG. 3 is a rear view thereof;
FIG. 4 is a right side view thereof;
FIG. 5 is a left side view thereof;
FIG. 6 is a top view thereof;
FIG. 7 is a bottom view thereof;
FIG. 8 is a front perspective view of the suitcase of FIGS. 1-7 shown with the handle extended;
FIG. 9 is a front view thereof;
FIG. 10 is a rear view thereof;
FIG. 11 is a right side view thereof;
FIG. 12 is a left side view thereof;
FIG. 13 is a top view thereof;
FIG. 14 is a bottom view thereof;
FIG. 15 is a front perspective view of the suitcase of FIGS. 8-14 shown in an open configuration;
FIG. 16 is a front view thereof;
FIG. 17 is a rear view thereof;
FIG. 18 is a right side view thereof;
FIG. 19 is a left side view thereof;
FIG. 20 is a top view thereof; and,
FIG. 21 is a bottom view thereof.
The broken lines depict portions of the suitcase that form no part of the claimed design.

1 Claim, 18 Drawing Sheets



(58) **Field of Classification Search**

USPC D3/281–290, 294, 299, 301, 303,
D3/318–319, 321, 327, 902
CPC .. A45C 1/024; A45C 3/00; A45C 3/02; A45C
2003/007; A45C 2003/008; A45C 5/00;
A45C 5/02; A45C 5/03; A45C 5/04;
A45C 5/06; A45C 5/14; A45C 5/005;
A45C 2005/032; A45C 2005/035; A45C
2005/037; A45C 2005/142; A45C
2005/148; A45C 7/00; A45C 7/0018;
A45C 7/0036; A45C 2011/003; A45C
13/02; A45C 13/28; A45C 13/36; A45C
13/385

See application file for complete search history.

(56) **References Cited**

U.S. PATENT DOCUMENTS

6,000,509 A * 12/1999 Chisholm A45C 13/02
150/113
D428,698 S 8/2000 Cheng
D435,967 S 1/2001 Tiramani et al.
D438,005 S 2/2001 Tiramani et al.
D449,162 S 10/2001 Sijmons et al.
6,345,414 B1 2/2002 Chen
D456,993 S 5/2002 Lin et al.
D459,579 S 7/2002 Kegels
D461,635 S 8/2002 Sharples
D462,169 S 9/2002 Giovanni
D472,705 S 4/2003 Van Himbeec
D493,283 S 7/2004 Rada et al.
D494,364 S * 8/2004 Burgess D3/279
D503,536 S 4/2005 Rada et al.
D511,620 S * 11/2005 Van Himbeec D3/217
D512,220 S 12/2005 Van Himbeec
D547,065 S 7/2007 Fenton et al.
D554,369 S 11/2007 Katz et al.
D587,902 S 3/2009 Yoneno
D596,403 S 7/2009 Chu et al.
D614,859 S 5/2010 Hansen
D619,365 S * 7/2010 Chu D3/318
D627,564 S 11/2010 Chu et al.
D630,850 S * 1/2011 Gifford D3/279
D642,379 S 8/2011 Buller
D644,436 S 9/2011 Buller
D666,414 S 9/2012 Giovannoni
D675,016 S 1/2013 Van Overbeke
D675,017 S 1/2013 Van Overbeke
D714,057 S * 9/2014 Hou D3/279
D719,351 S 12/2014 Hailwood
D728,933 S 5/2015 Sanz et al.
D730,050 S 5/2015 Hogan et al.
D731,181 S 6/2015 Majeau et al.
9,060,577 B2 * 6/2015 Farrelly A45C 13/103
D734,948 S * 7/2015 Farrelly D3/321
D771,946 S 11/2016 Wu et al.
D772,571 S * 11/2016 Sijmons D3/279
D780,451 S 3/2017 Wu
9,861,170 B1 1/2018 Hamaty
D809,294 S * 2/2018 Tong D3/279
D825,920 S * 8/2018 Scicluna D3/279
D828,033 S 9/2018 Harris
D828,691 S 9/2018 Shalgi
D828,693 S 9/2018 Karl
D829,436 S 10/2018 Benzon et al.
D840,682 S 2/2019 Thibadeau
D844,319 S 4/2019 Tan et al.
D849,404 S 5/2019 Tricault
D853,722 S * 7/2019 Wu D3/279
D856,675 S 8/2019 Shalgi

D858,986 S 9/2019 Shalgi
D859,834 S * 9/2019 Wu D3/279
D872,472 S 1/2020 Wu
D878,046 S * 3/2020 Wu D3/279
D882,260 S * 4/2020 Munoz D3/279
D886,458 S * 6/2020 Wu D3/321
2010/0072235 A1 3/2010 Barton et al.
2012/0181129 A1 7/2012 Lai
2014/0131964 A1 * 5/2014 Farrelly A45C 13/262
280/79.2
2014/0311844 A1 10/2014 Meersschaert et al.
2016/0286913 A1 10/2016 Lai

FOREIGN PATENT DOCUMENTS

CN 301150733 3/2010
CN 301267208 6/2010
CN 301388330 11/2010
CN 301479904 3/2011
CN 301525746 4/2011
CN 202385952 U 8/2012
CN 302397334 4/2013
CN 202980539 U 6/2013
CN 302485698 7/2013
CN 302940225 9/2014
CN 303472497 12/2015
CN 303830831 9/2016
CN 303909173 11/2016
CN 303941452 11/2016
CN 303973352 12/2016
CN 304389570 12/2017
CN 304447076 S 1/2018
CN 304609927 5/2018
CN 304621810 5/2018
CN 304630920 5/2018
CN 304637562 5/2018
CN 304734425 7/2018
CN 209628849 U 11/2019
EM 000333141-0004 4/2005
EM 000784848-0002 9/2007
EM 001003255-0001 5/2010
EM 001827601-0001 2/2011
EM 002576728-0004 11/2014
EM 002576728-0005 11/2014
EM 002838482-0005 10/2015
EM 005408556-0001 * 7/2018
EM 005939972-0005 * 1/2019
EM 006657250-0005 * 8/2019
EM 007762786-0004 * 7/2020
GB 2086362 A 5/1982
GB 2086363 A 5/1982
GB 9006884474-0001 * 9/2019
JP D1097809 11/2000

OTHER PUBLICATIONS

Filson Dryden—Unisex 2-wheeled handbag, unknown first available date, amazon.com [online], [site visited Dec. 23, 2021], Available at URL: <https://www.amazon.com/Filson-Dryden-Wheel-Suitcase-Whiskey/dp/B074WBGW54/> (Year: 2021).
Homedepot.com, “Rockland Milan Hybrid EVA/ABS 3-Piece Softside Luggage Set, Brown,” visited Jul. 30, 2021 at <<https://www.homedepot.com/p/Rockland-Milan-Hybrid-EVA-ABS-3-Piece-Softside-Luggage-Set-Brown-F136-BROWN/302603355>>.
Nytimes.com, “The Best Carry-On Luggage, Updated Oct. 24, 2019,” visited Jul. 30, 2021 at <<https://www.nytimes.com/wirecutter/reviews/best-carry-on-luggage/>>.
Outdoorgearlab.com, “The North Face Stratoliner 75 Review,” visited Jul. 30, 2021 at <<https://www.outdoorgearlab.com/reviews/travel/suitcase/the-north-face-stratoliner-75>>.

* cited by examiner



FIG. 1

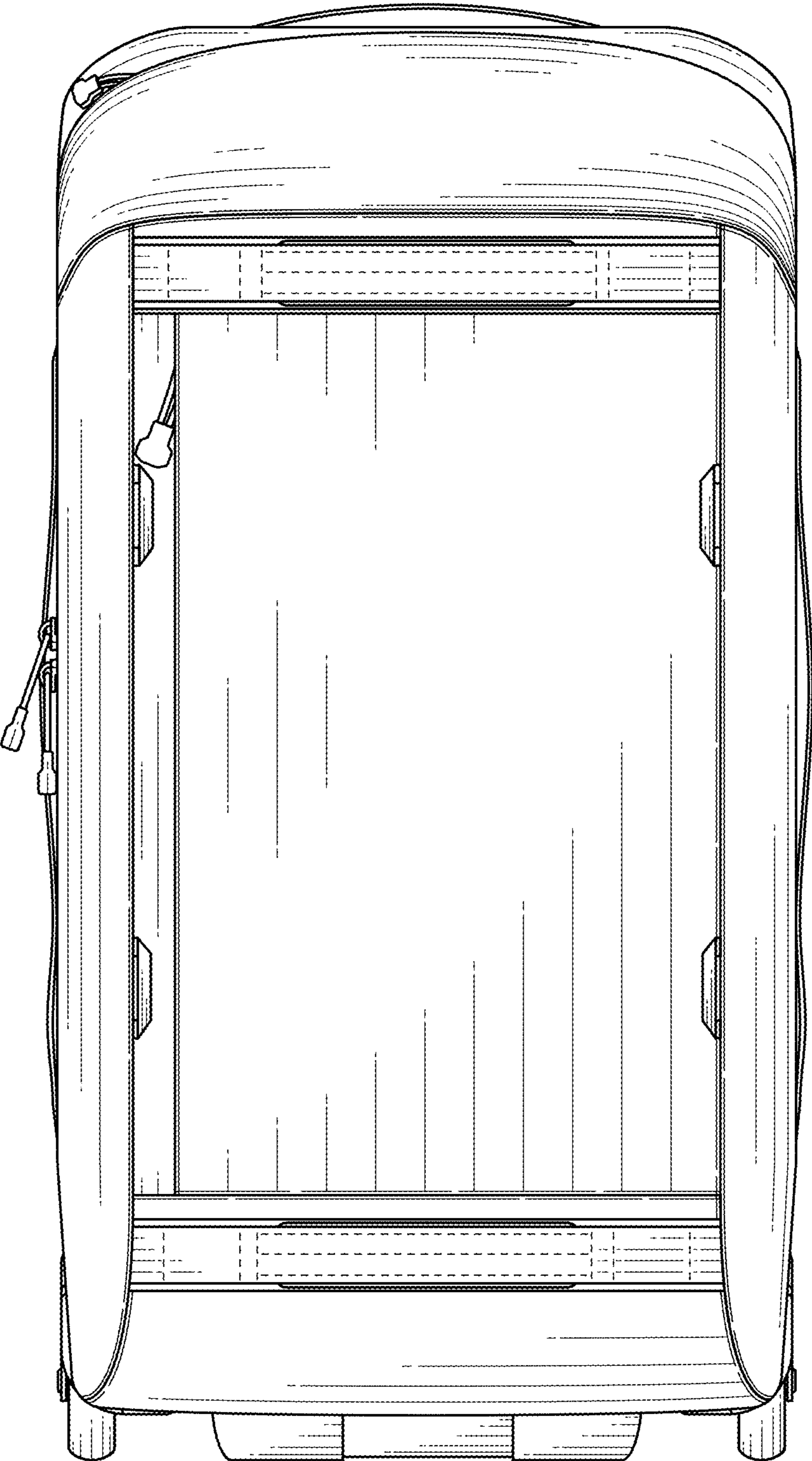


FIG. 2

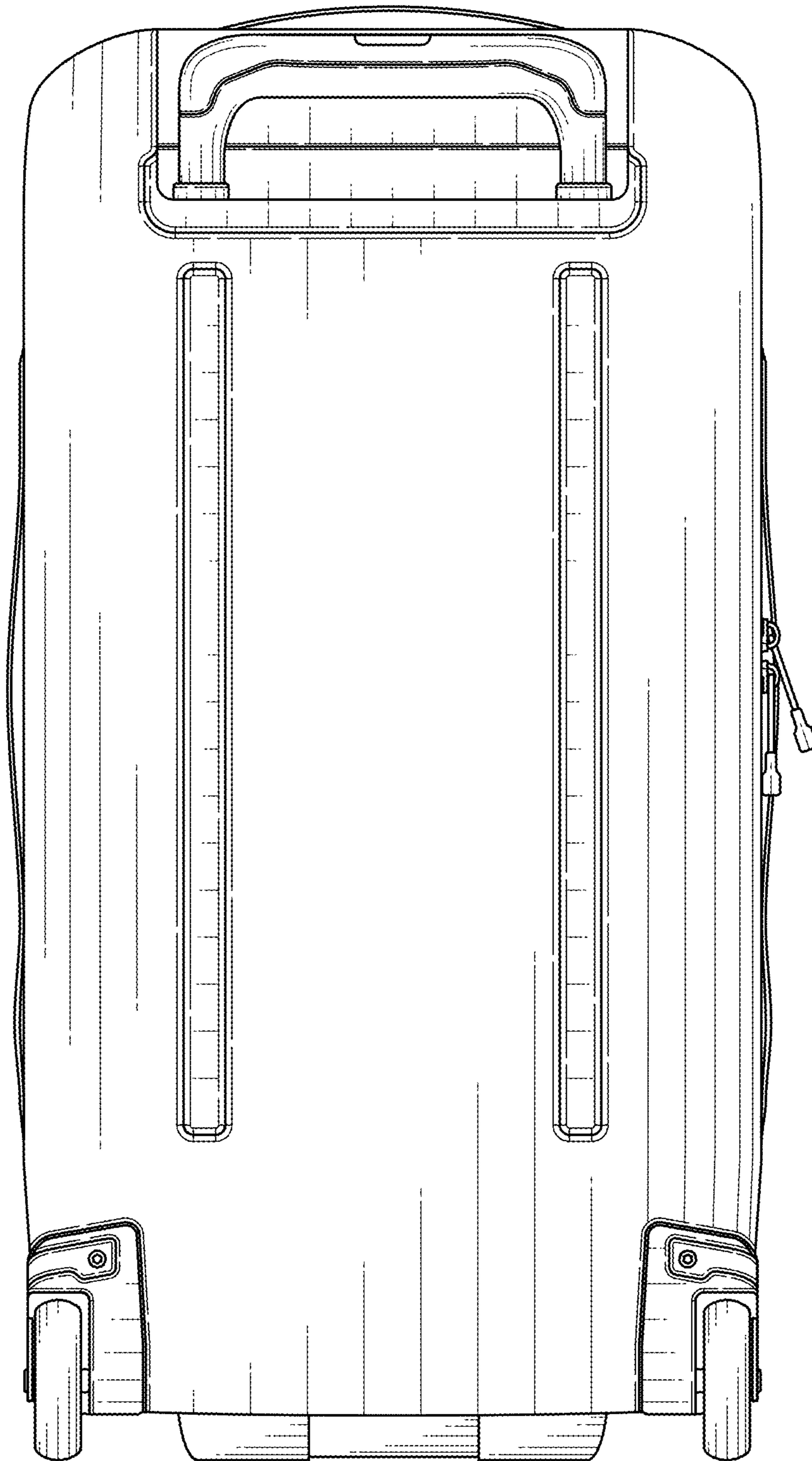


FIG. 3

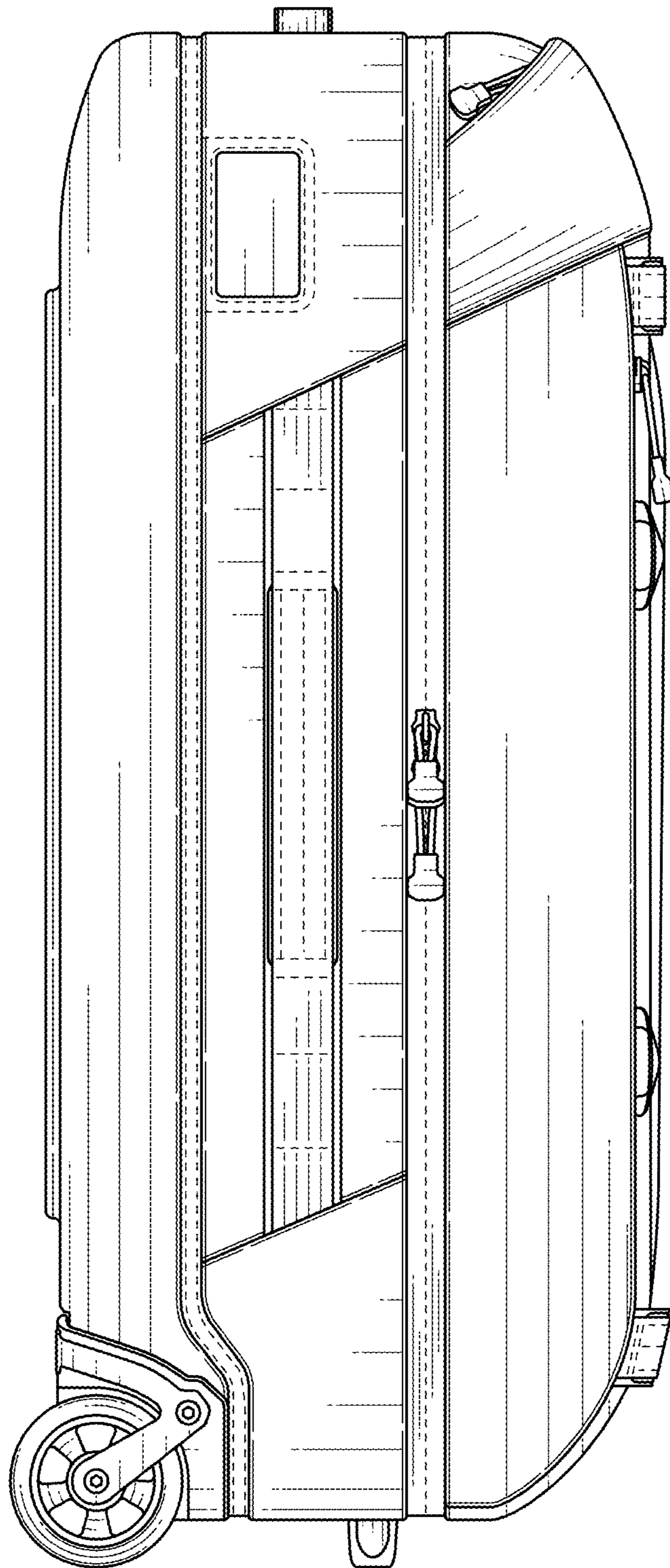


FIG. 4

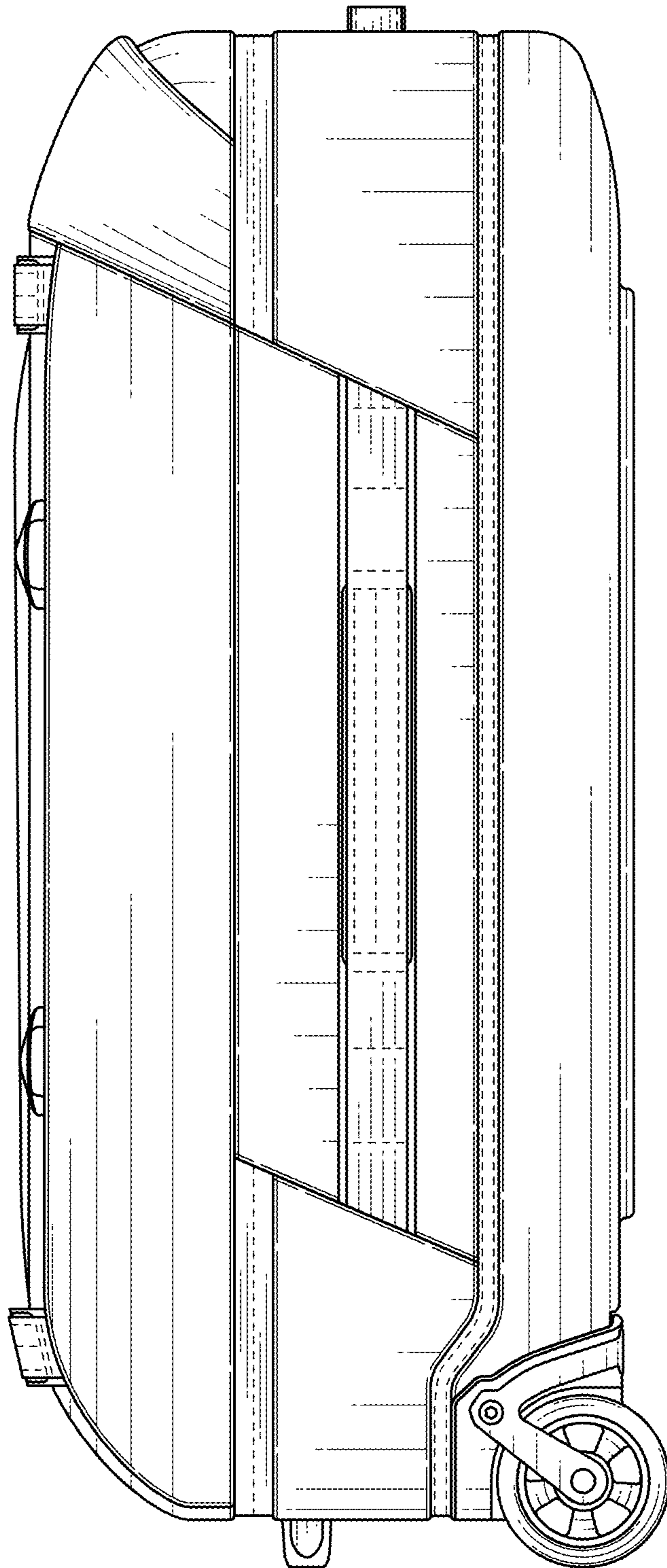


FIG. 5

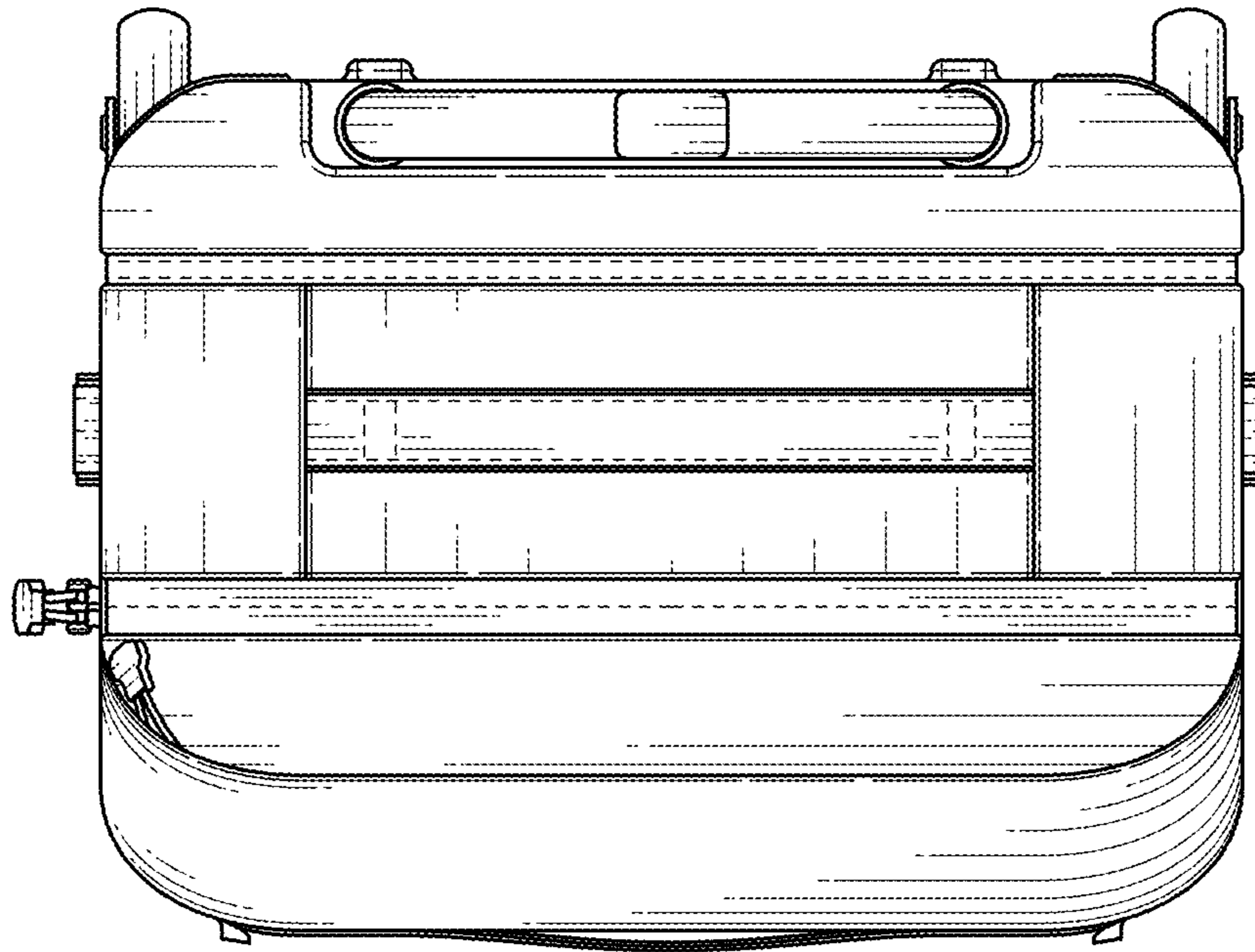


FIG. 6

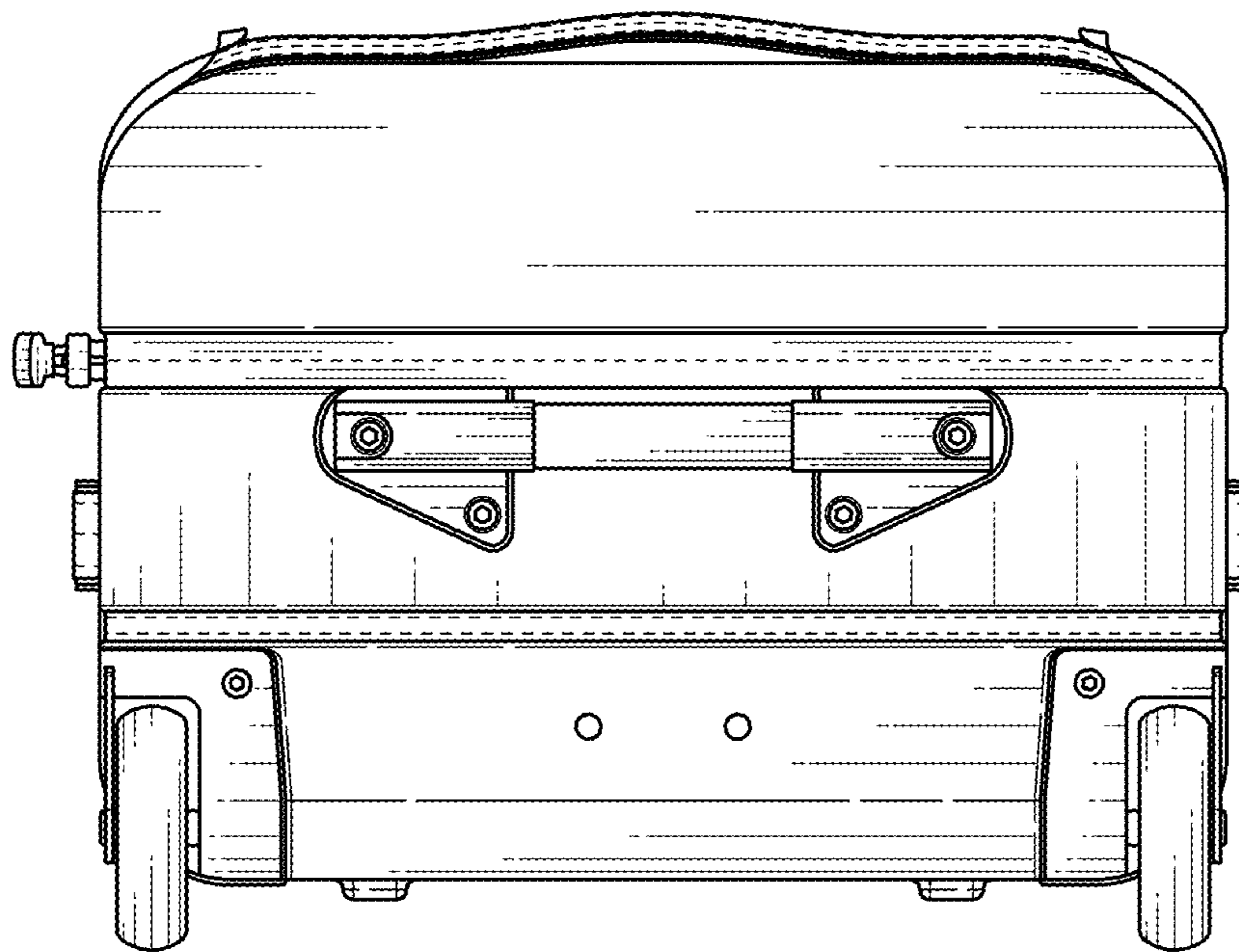


FIG. 7

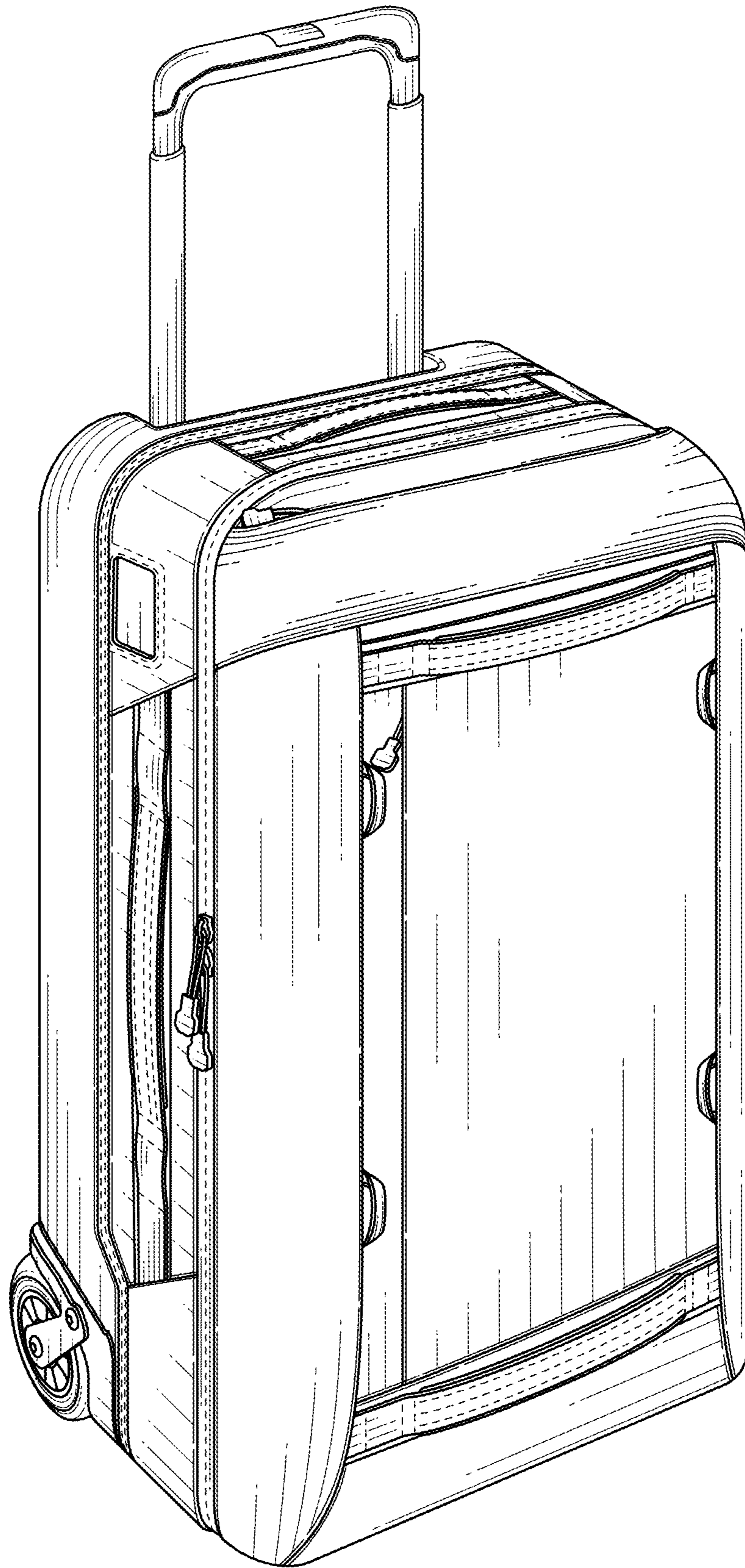


FIG. 8

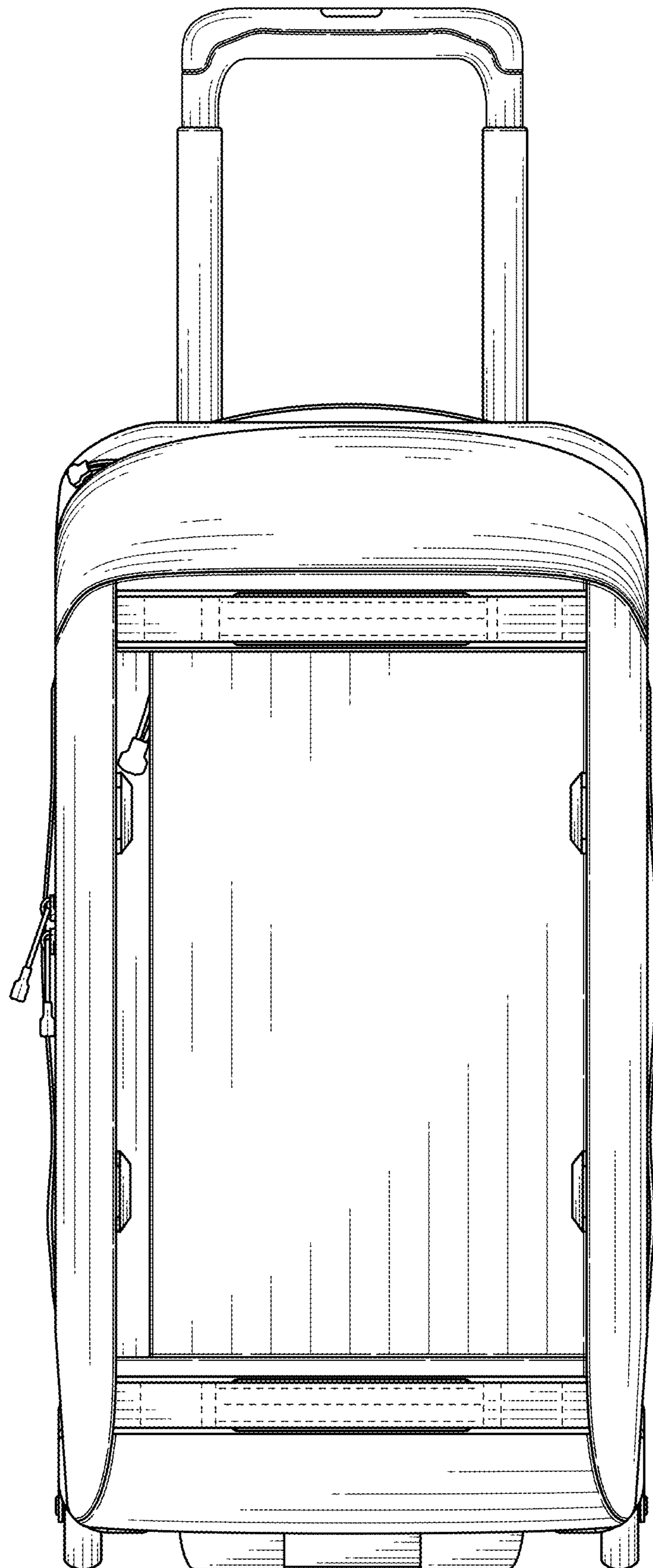


FIG. 9

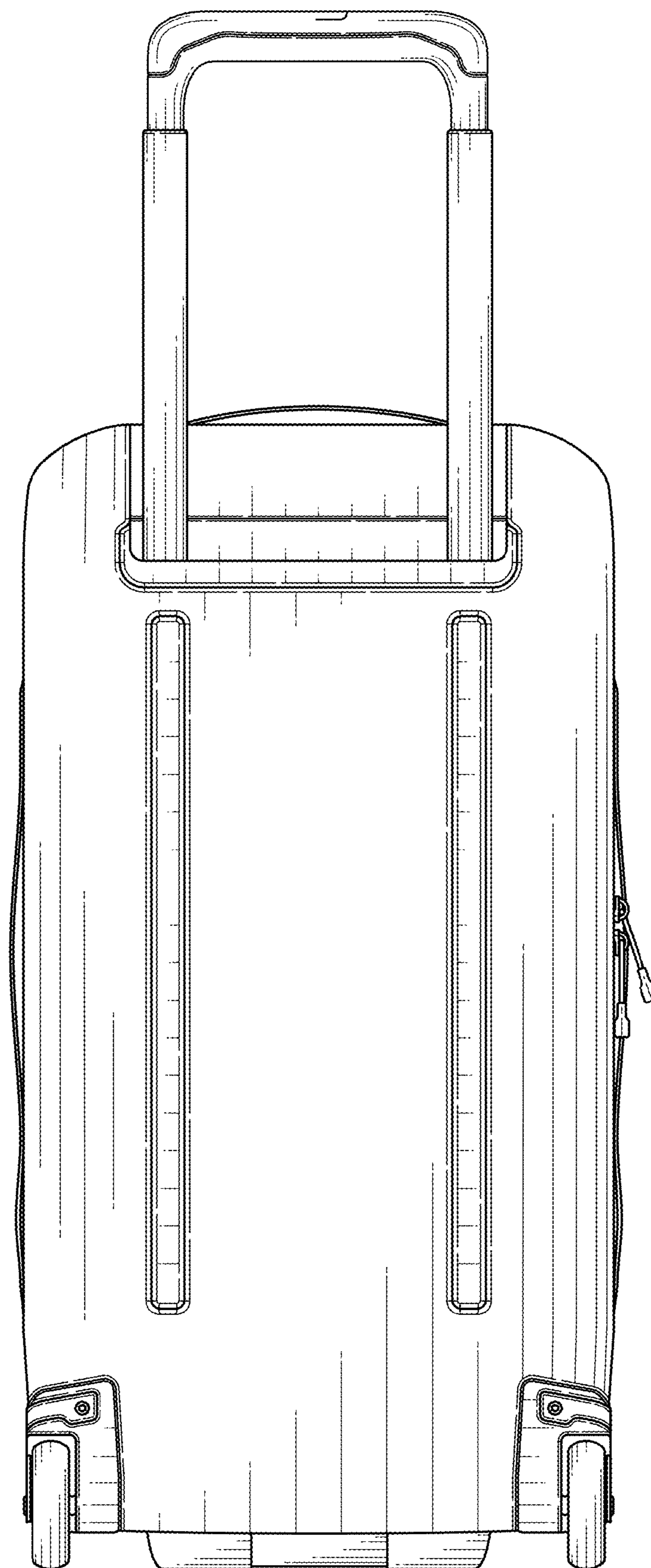


FIG. 10

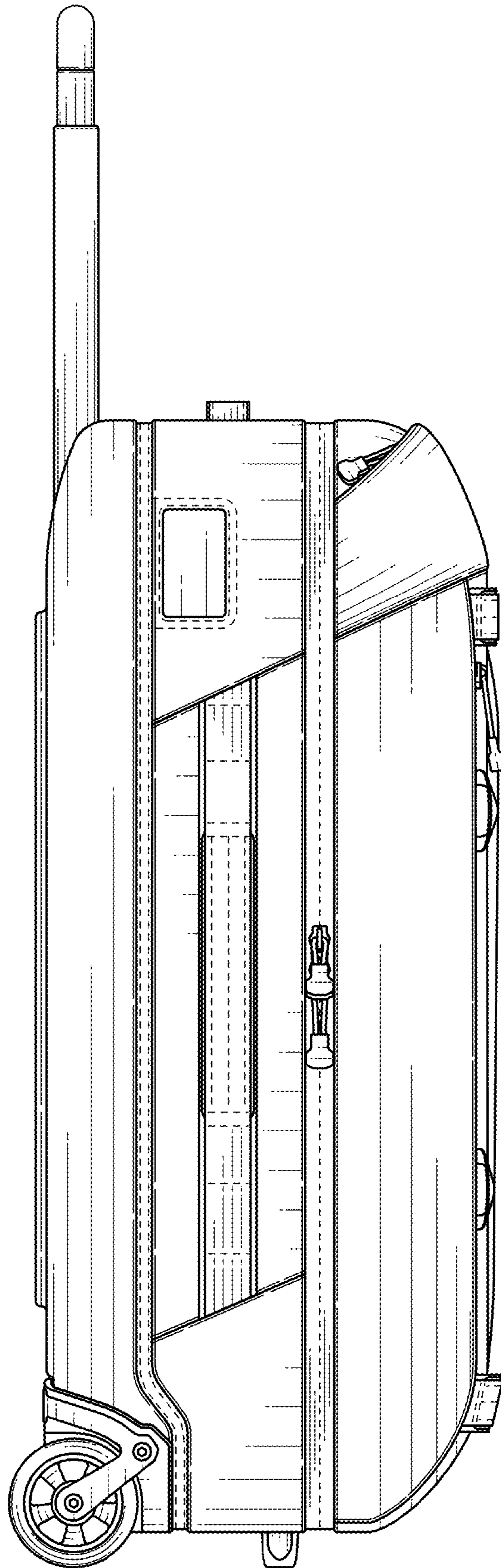


FIG. 11

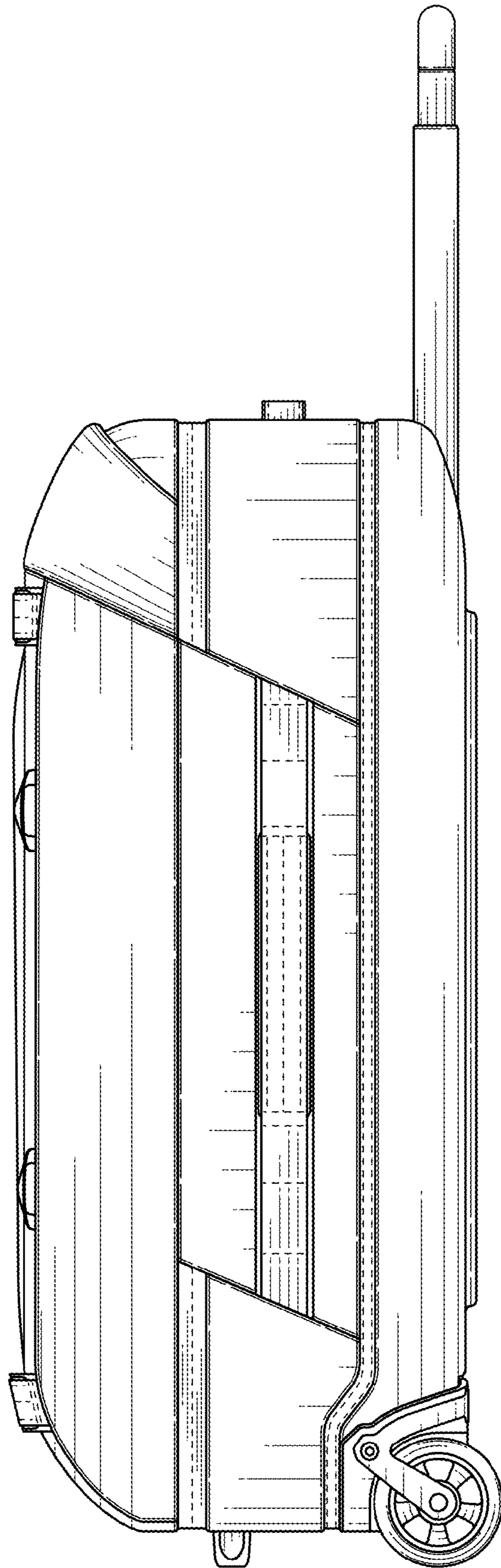


FIG. 12

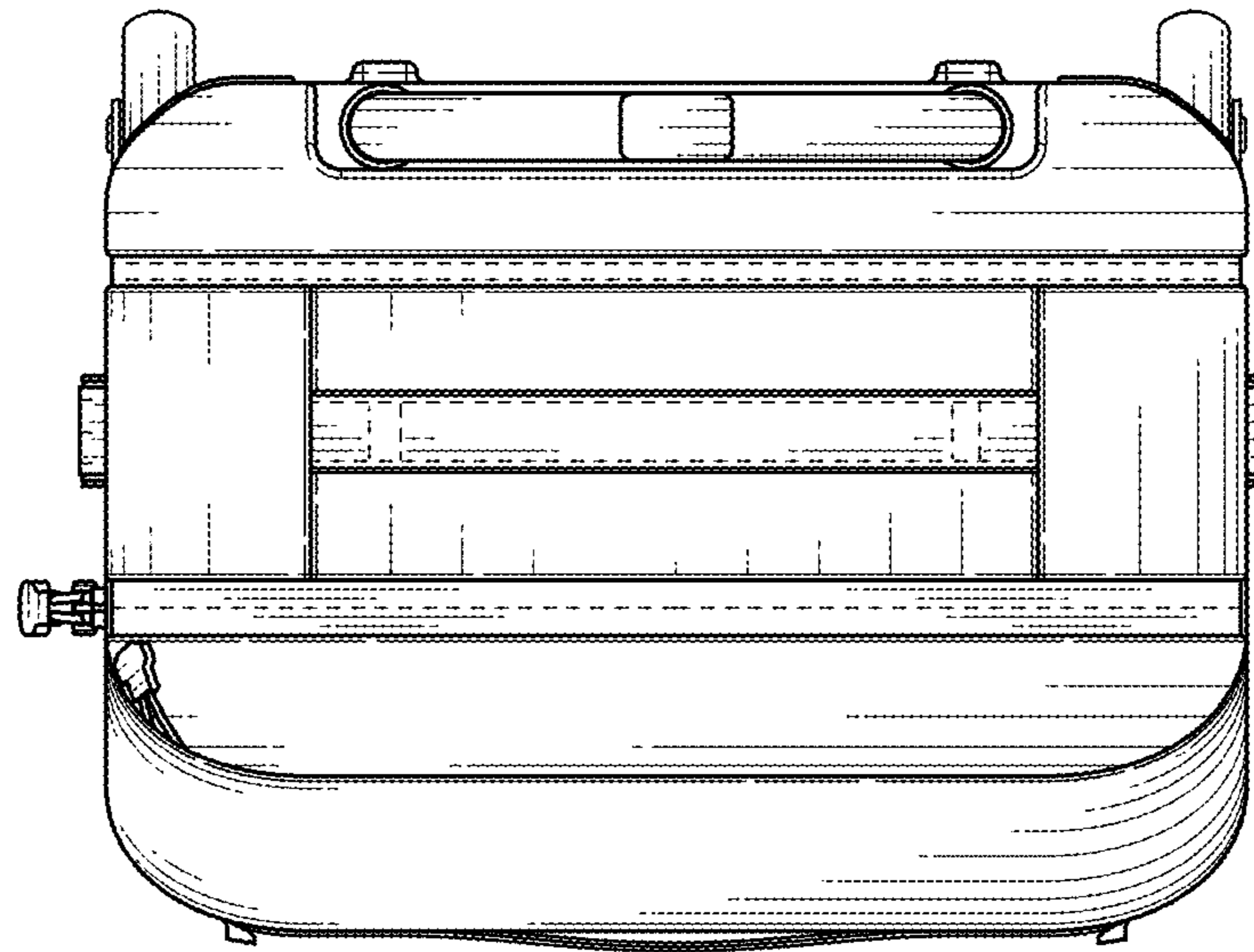


FIG. 13

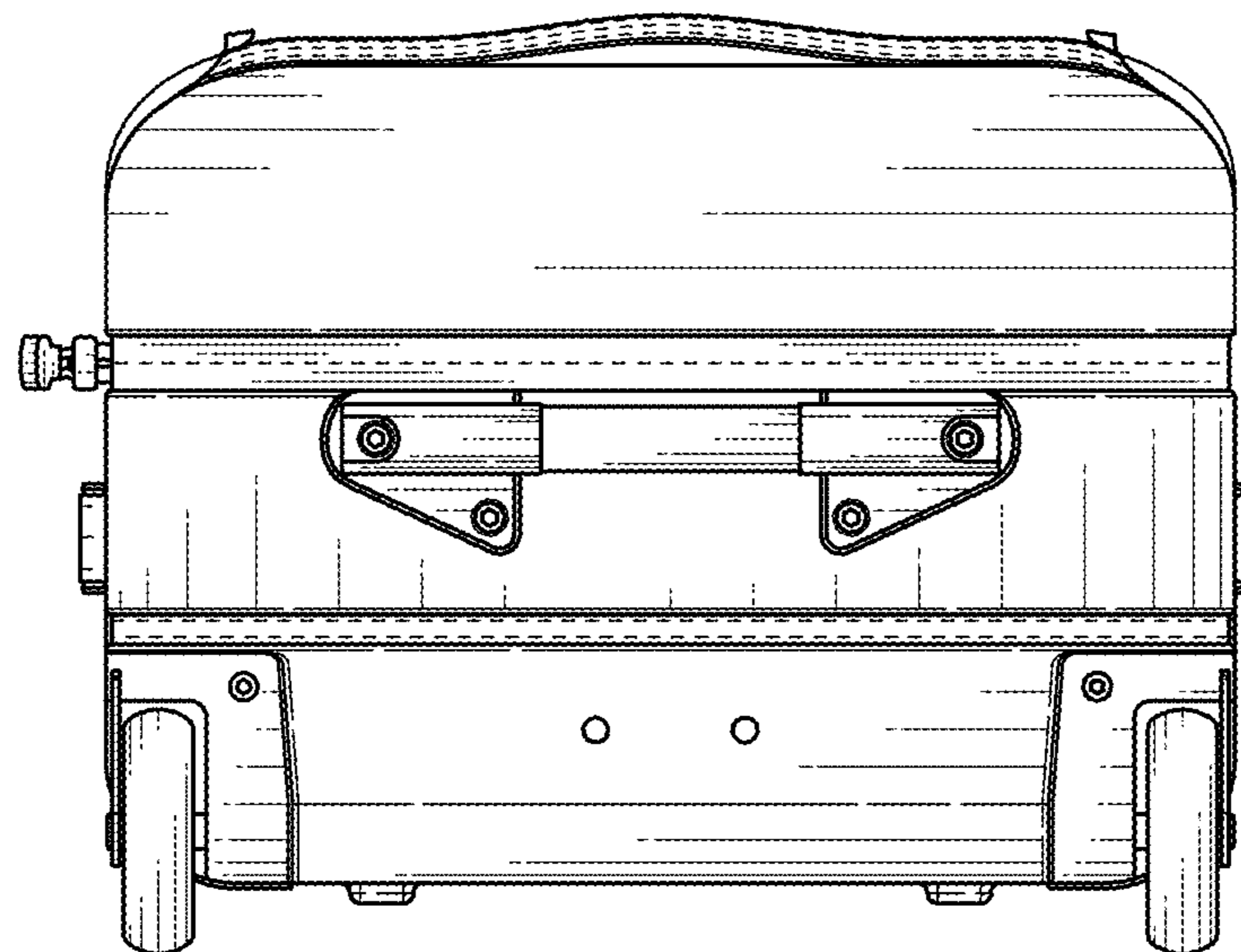


FIG. 14

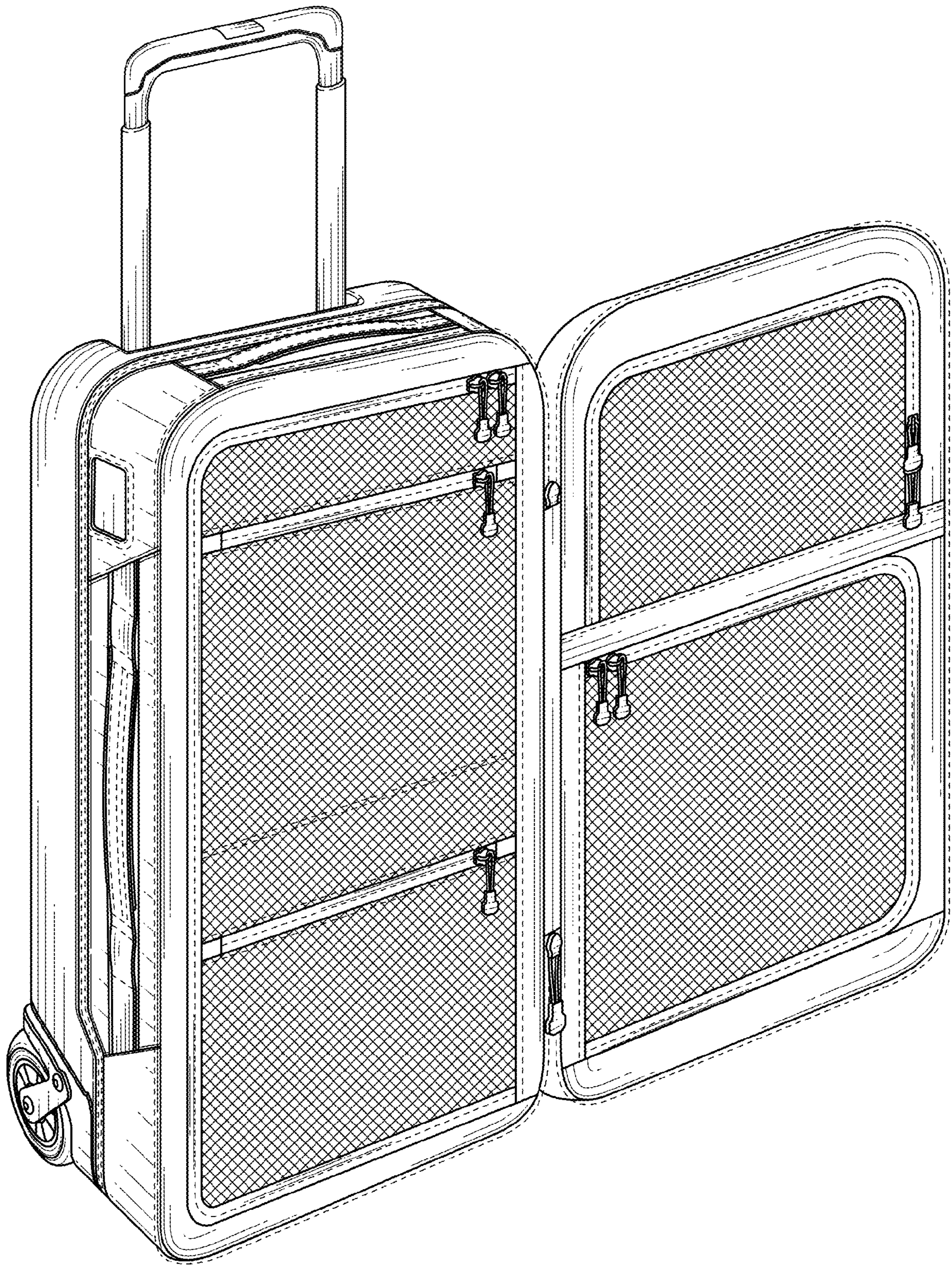


FIG. 15

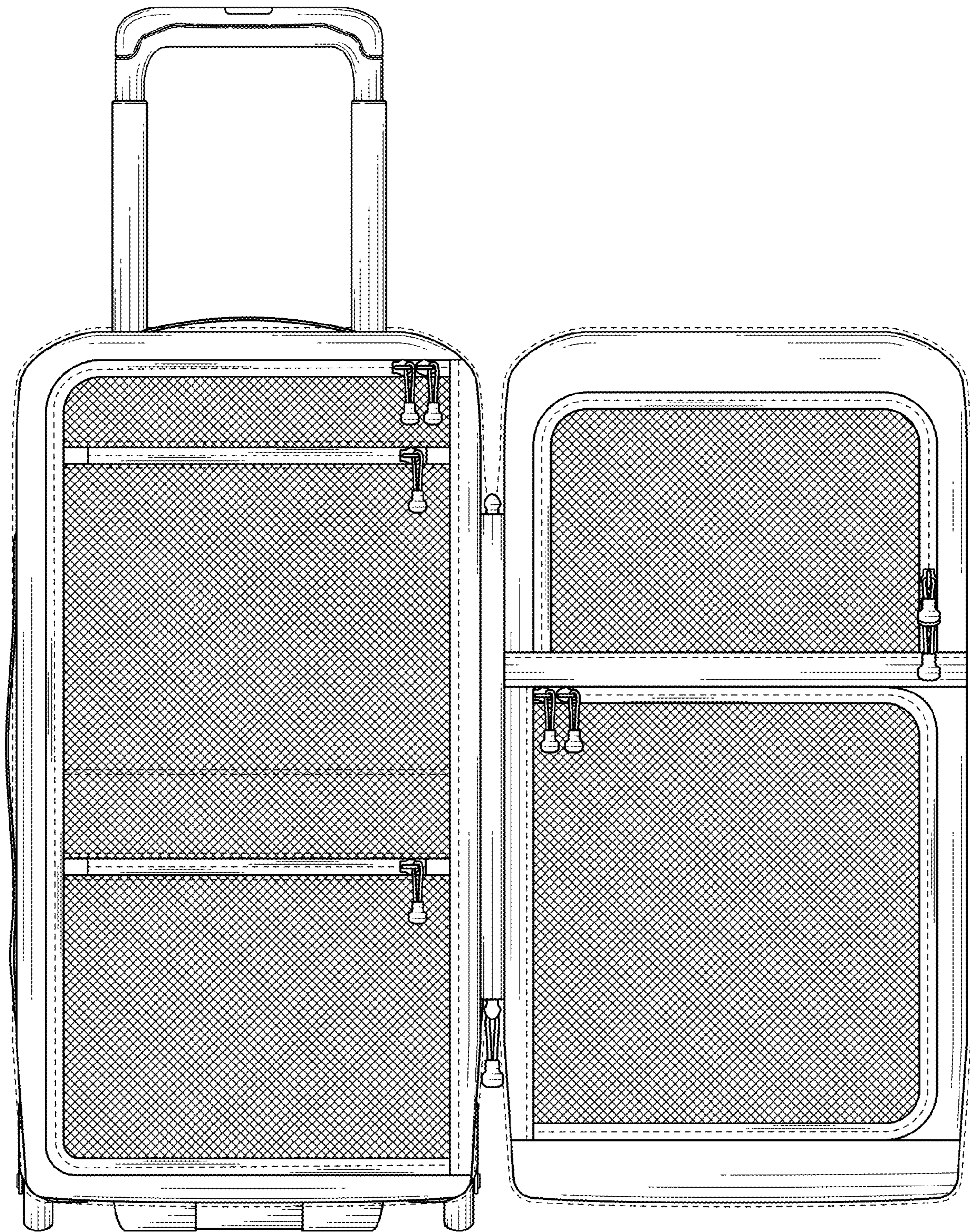


FIG. 16

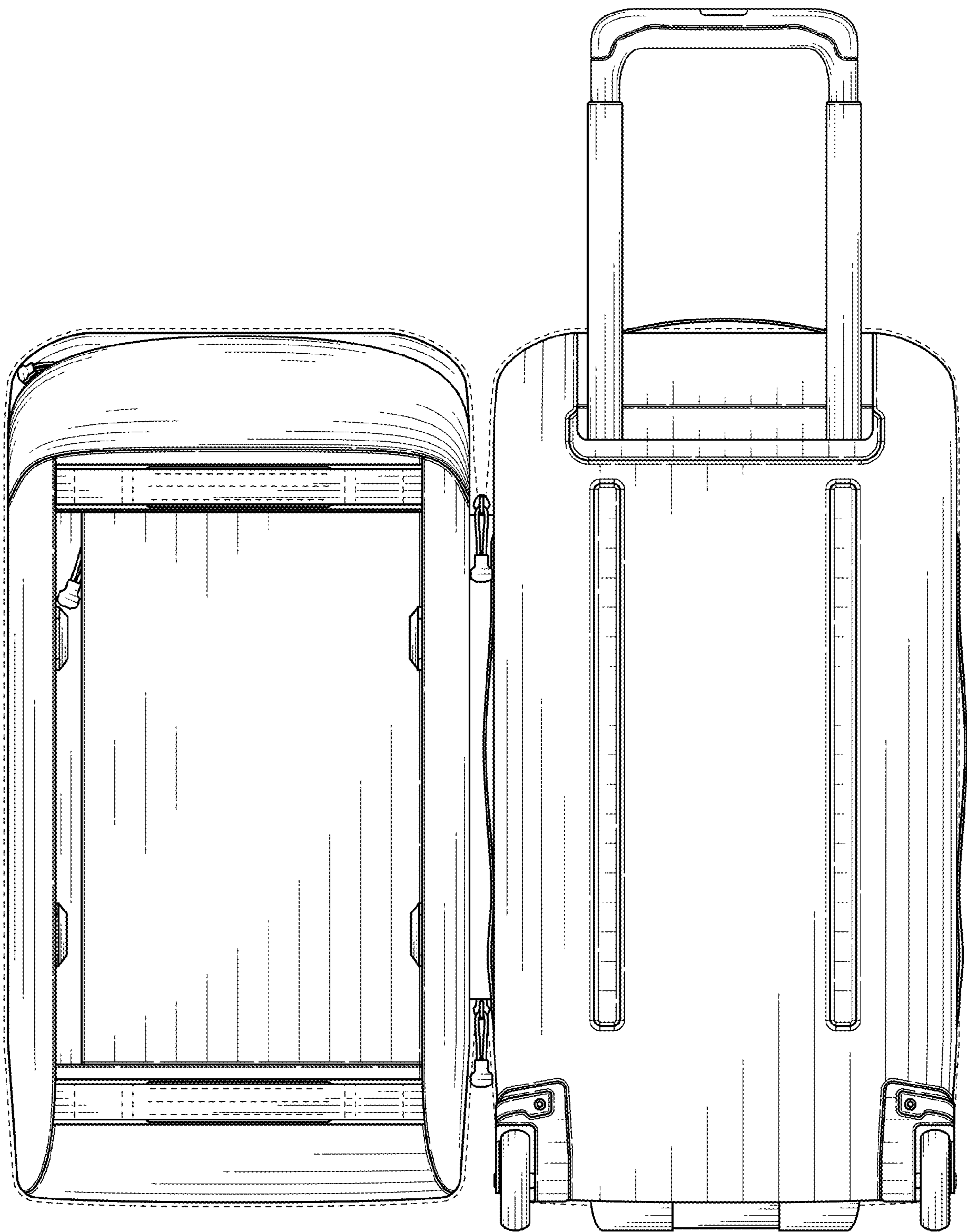


FIG. 17

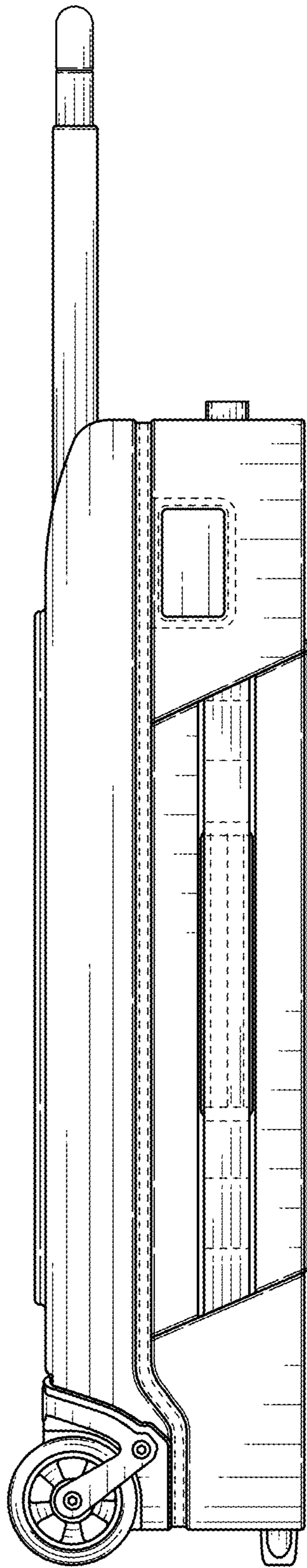


FIG. 18

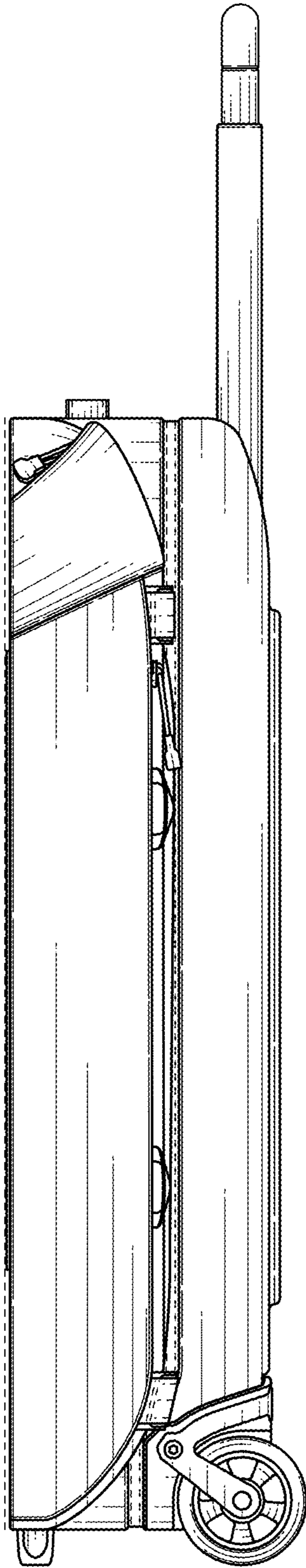


FIG. 19

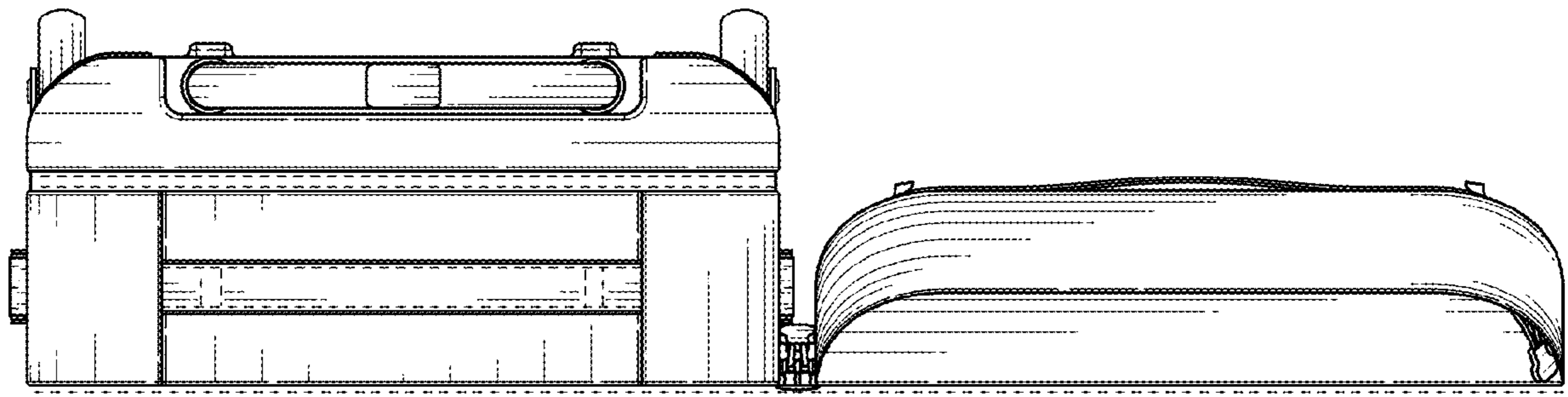


FIG. 20

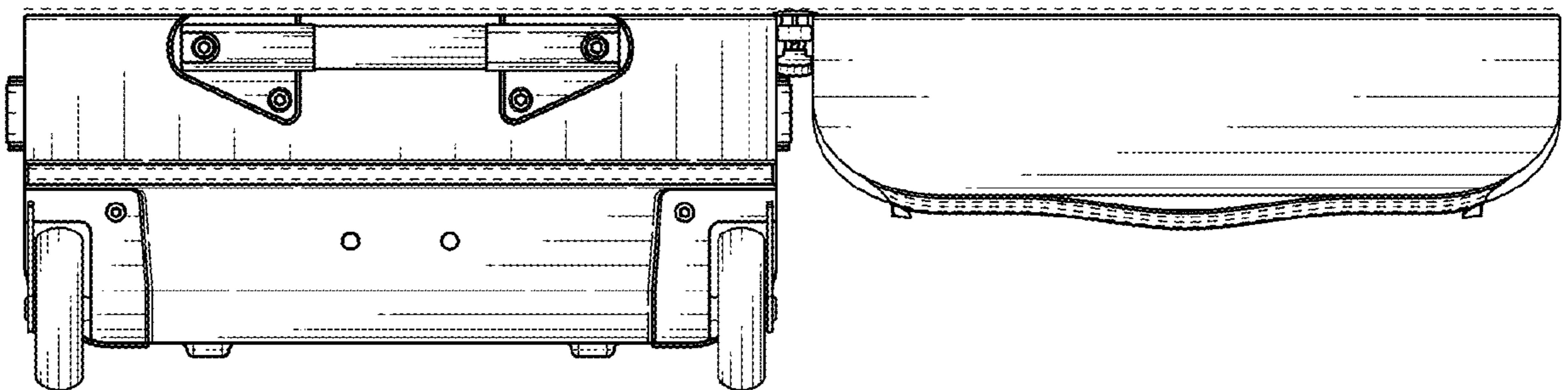


FIG. 21