



US00D949556S

(12) **United States Design Patent** (10) **Patent No.:** **US D949,556 S**  
**Hsu** (45) **Date of Patent:** **\*\* Apr. 26, 2022**

(54) **CONTAINER**  
(71) Applicant: **L&F PLASTICS, CO., LTD.**, Miaoli County (TW)  
(72) Inventor: **Mu-Chuan Hsu**, Miaoli County (TW)  
(73) Assignee: **L & F Plastics Co., Ltd.**, Miaoli County (TW)  
(\*\*) Term: **15 Years**  
(21) Appl. No.: **29/756,296**  
(22) Filed: **Oct. 27, 2020**

D643,629 S 8/2011 Sofy et al.  
D645,248 S \* 9/2011 Osiecki ..... D3/276  
D661,901 S 6/2012 Orgeldinger  
D738,623 S \* 9/2015 Wood ..... D3/302  
D788,465 S \* 6/2017 Spadotto ..... D3/302  
D801,686 S 11/2017 Park  
D826,557 S \* 8/2018 Han ..... D3/282  
D859,836 S 9/2019 Ritzberger  
D879,471 S 3/2020 Nelson  
D927,853 S \* 8/2021 Hsu ..... D3/302  
11,117,714 B2 9/2021 Green  
2006/0011627 A1 1/2006 Overholt et al.  
2015/0131039 A1 5/2015 Wang et al.

**Related U.S. Application Data**

(62) Division of application No. 29/683,547, filed on Mar. 14, 2019, now Pat. No. Des. 919,972.  
(51) **LOC (13) Cl.** ..... **03-01**  
(52) **U.S. Cl.**  
USPC ..... **D3/279; D3/302**  
(58) **Field of Classification Search**  
USPC ..... D3/905, 273, 276, 280, 282, 284, 294, D3/298, 302, 304, 279  
CPC ..... B25H 3/00; B25H 3/003; B25H 3/006; B25H 3/02; B25H 3/06  
See application file for complete search history.

**References Cited**

**U.S. PATENT DOCUMENTS**

D381,513 S 7/1997 Brauner  
D382,112 S 8/1997 Egan  
D424,299 S 5/2000 Varfeldt  
D505,262 S 5/2005 Chinni  
D511,624 S \* 11/2005 Rosine ..... D3/273  
7,104,414 B2 9/2006 Apps et al.  
D600,019 S 9/2009 Cope  
H2235 H 4/2010 Mancunian

**OTHER PUBLICATIONS**

Wayfair, "Plastic Box Set (Set of 2)", First reviewed Sep. 26, 2021. (<https://www.wayfair.com/storage-organization/pdp/rebrilliant-plastic-box-set-w005310441.html>) (Year: 2021).\*

(Continued)

*Primary Examiner* — April Rivas

(74) *Attorney, Agent, or Firm* — Mayer & Williams PC

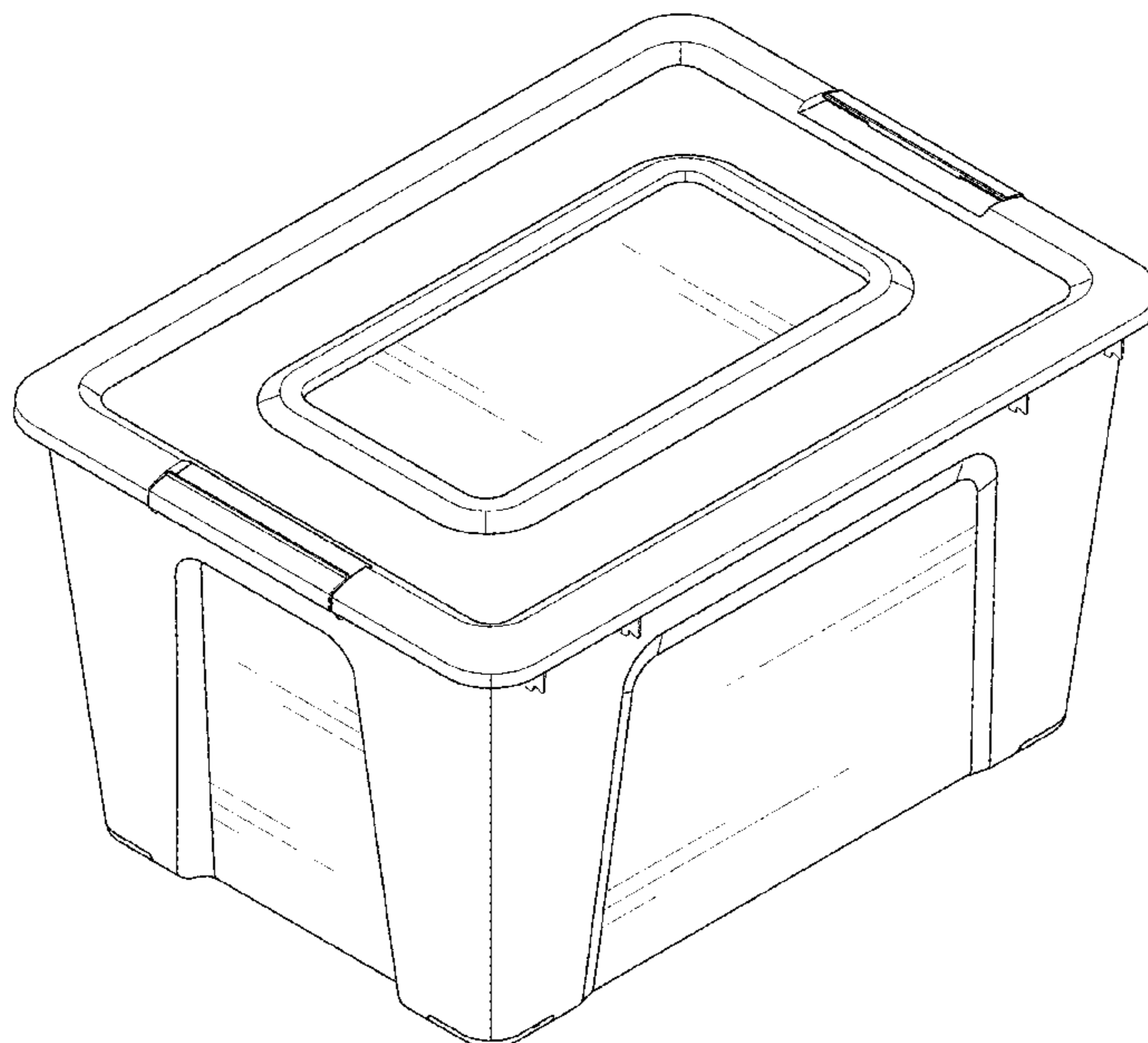
(57) **CLAIM**

The ornamental design for a container, as shown and described.

**DESCRIPTION**

FIG. 1 is a front perspective view of a container showing my new design;  
FIG. 2 is a front view thereof and the rear view thereof being a same image;  
FIG. 3 is a right side view thereof and the left side view thereof being a same image;  
FIG. 4 is a top view thereof; and,  
FIG. 5 is a bottom view thereof.  
The broken lines in the figures show portions of the container that form no part of the claimed design.

**1 Claim, 5 Drawing Sheets**



(56)

**References Cited**

OTHER PUBLICATIONS

Amazon.in, “Kritika Enterprise Plastic Storage Container . . .”, First on sale Jul. 25, 2021. (<https://www.amazon.in/dp/B09B69SFKF/>) (Year: 2021).\*

Amazon, “QTJH Collapsible Storage Bin/Containe . . .”, First on sale Jul. 17, 2020. (<https://www.amazon.com/dp/B08D6D2KJ9/>) (Year: 2020).

Keyway, “Hynix 800 folding basket”, Accessed Jan. 21, 2021. ([http://www.keyway.com.tw/content/praduct/pro\\_cont.aspx?SiteID=2&MSid=701725301405576515&SID=1035401050103605676](http://www.keyway.com.tw/content/praduct/pro_cont.aspx?SiteID=2&MSid=701725301405576515&SID=1035401050103605676)) (Year: 2021).

Form-892 in corresponding U.S. Appl. No. 29/683,547, filed Feb. 3, 2021 (1 page).

Shopee.tw, “[Hynix pulley storage box] 60/90L optional storage box”, First reviewed Aug. 3, 2019 [Link shortened due to ncompatibility with Chinese characters, please see printed document for original] (<https://bit.ly/3qA1pj6>) (Year: 2019).

Keyway, “Hynix pulley storage box”, Accessed Dec. 29, 2021. ([https://keyway.com.tw/content/product/pro\\_cont.aspx?SiteID=1&MSid=712144026177531577&SID=1001044701626633652](https://keyway.com.tw/content/product/pro_cont.aspx?SiteID=1&MSid=712144026177531577&SID=1001044701626633652)) (Year:2021).

PTO form 892 (Notice of References cited) dated Jan. 5, 2022 in corresponding U.S. Appl. No. 29/756,289. (1 page).

\* cited by examiner

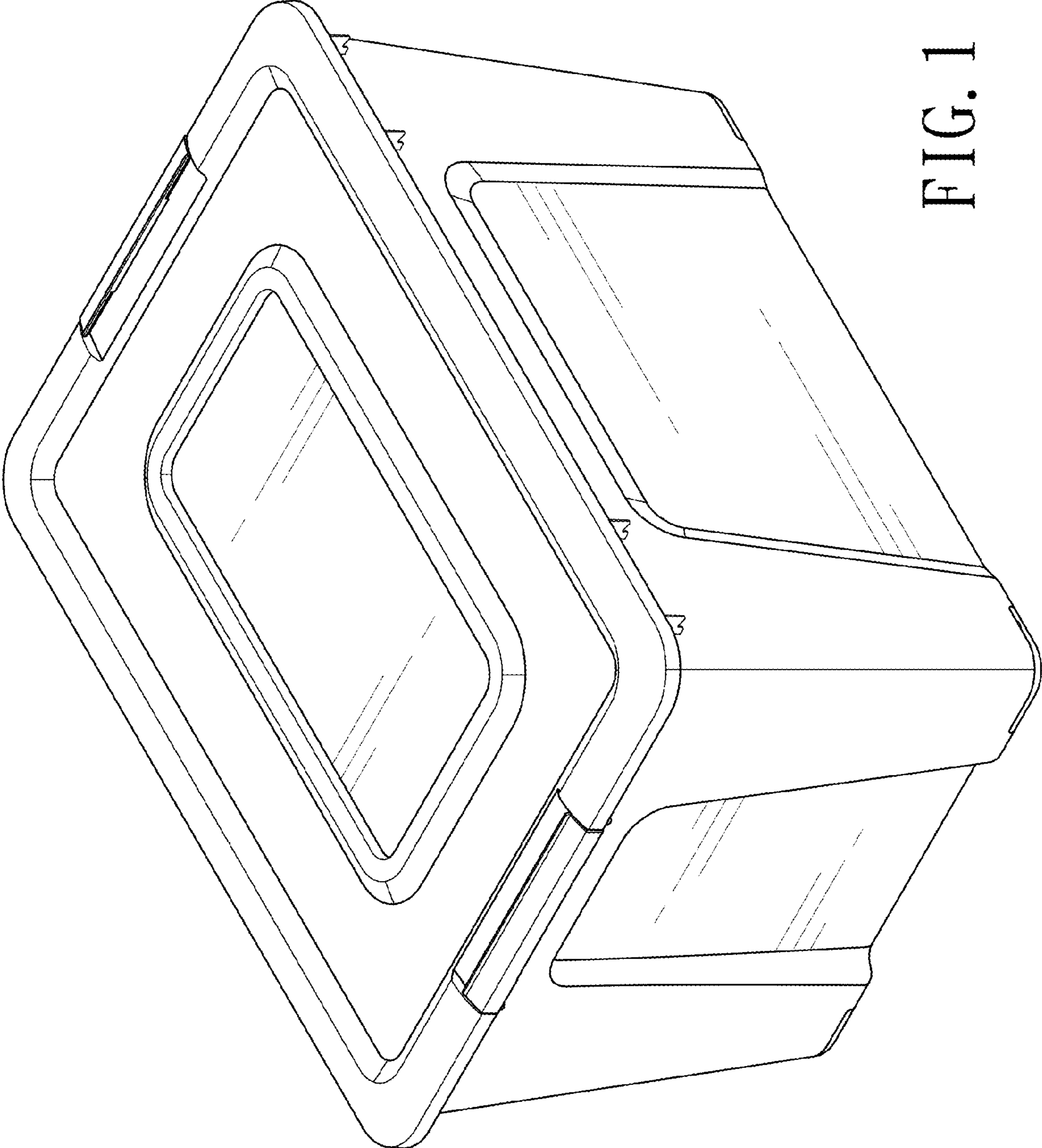


FIG. 1

FIG. 2

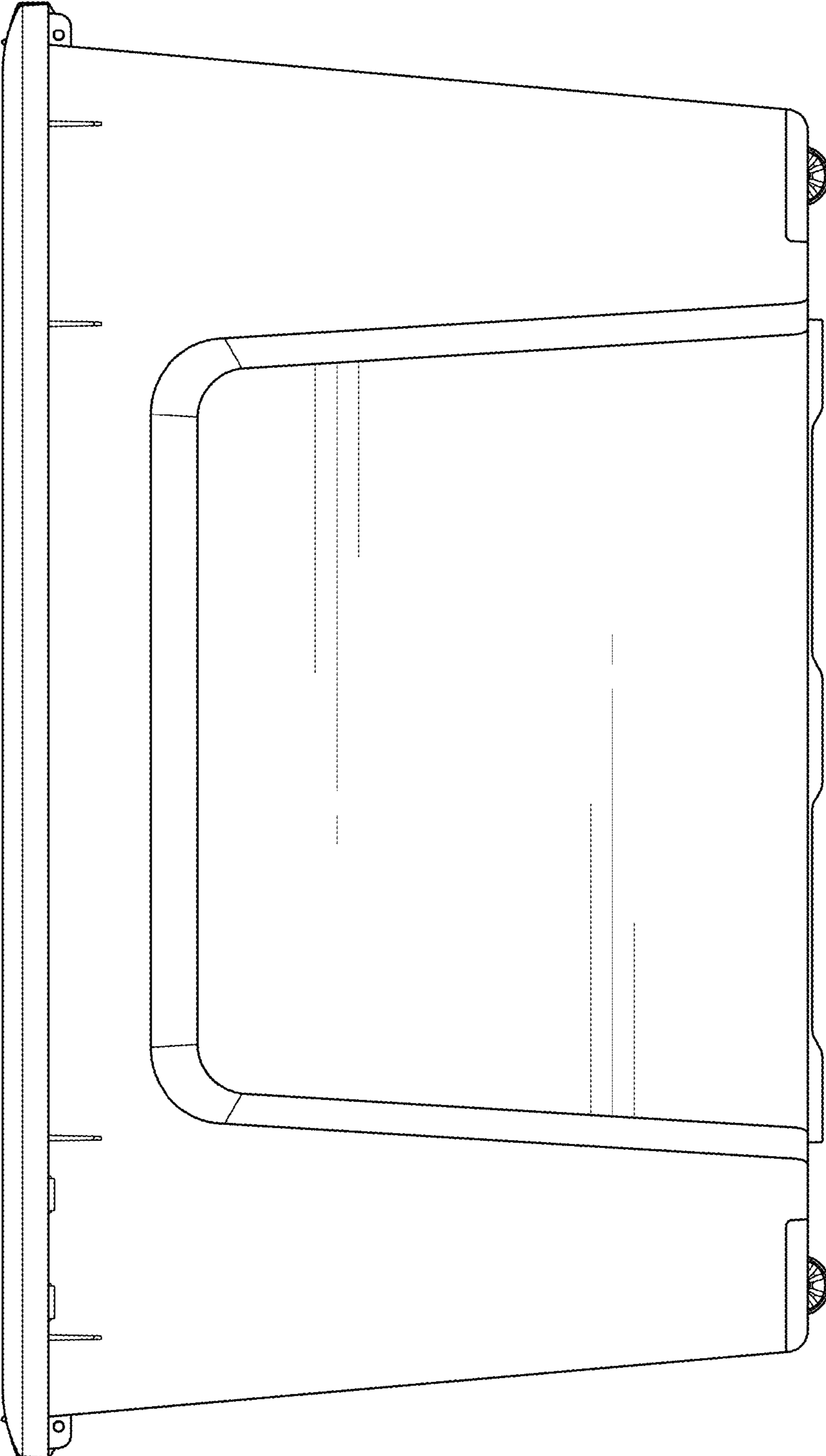


FIG. 3

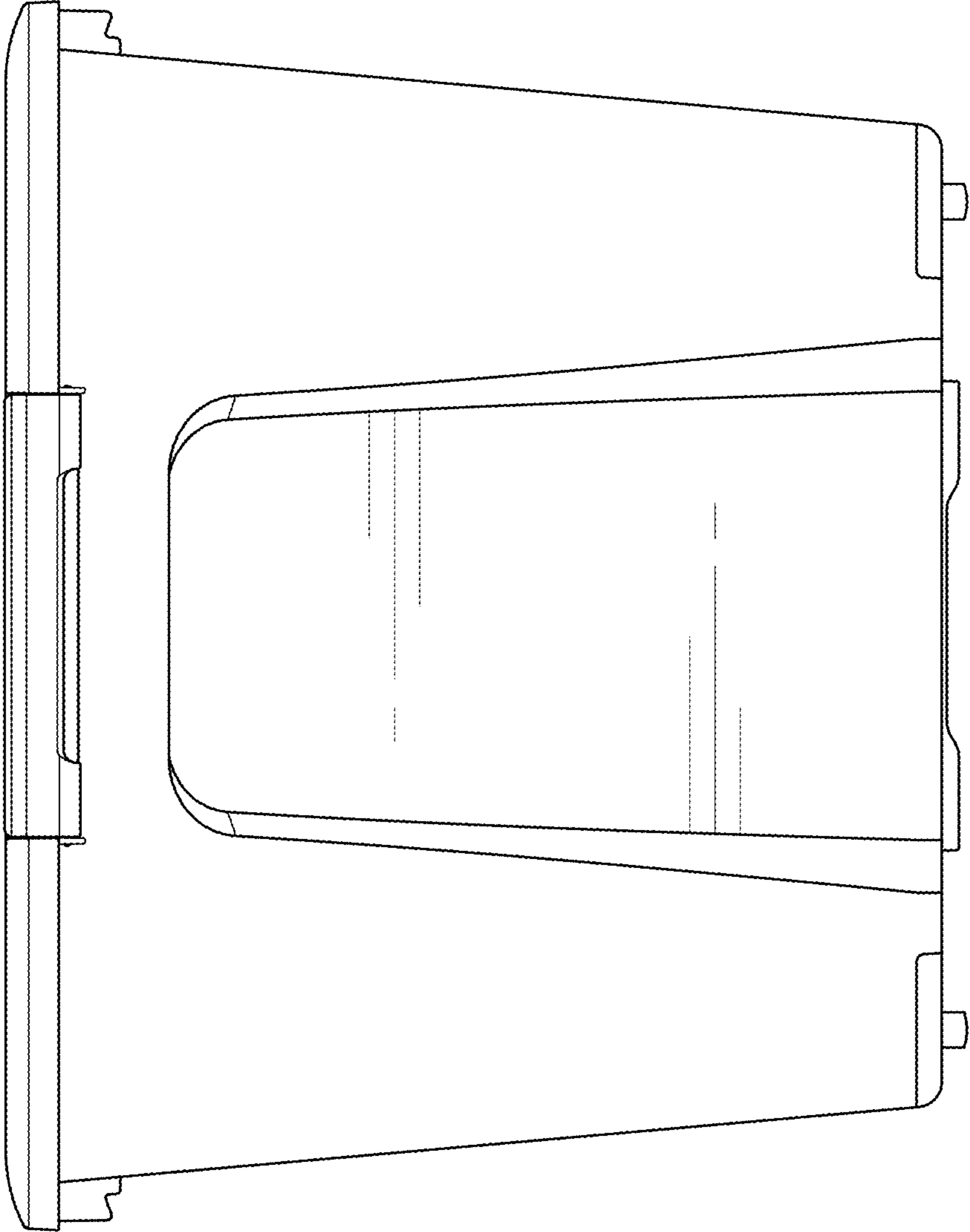




FIG. 4

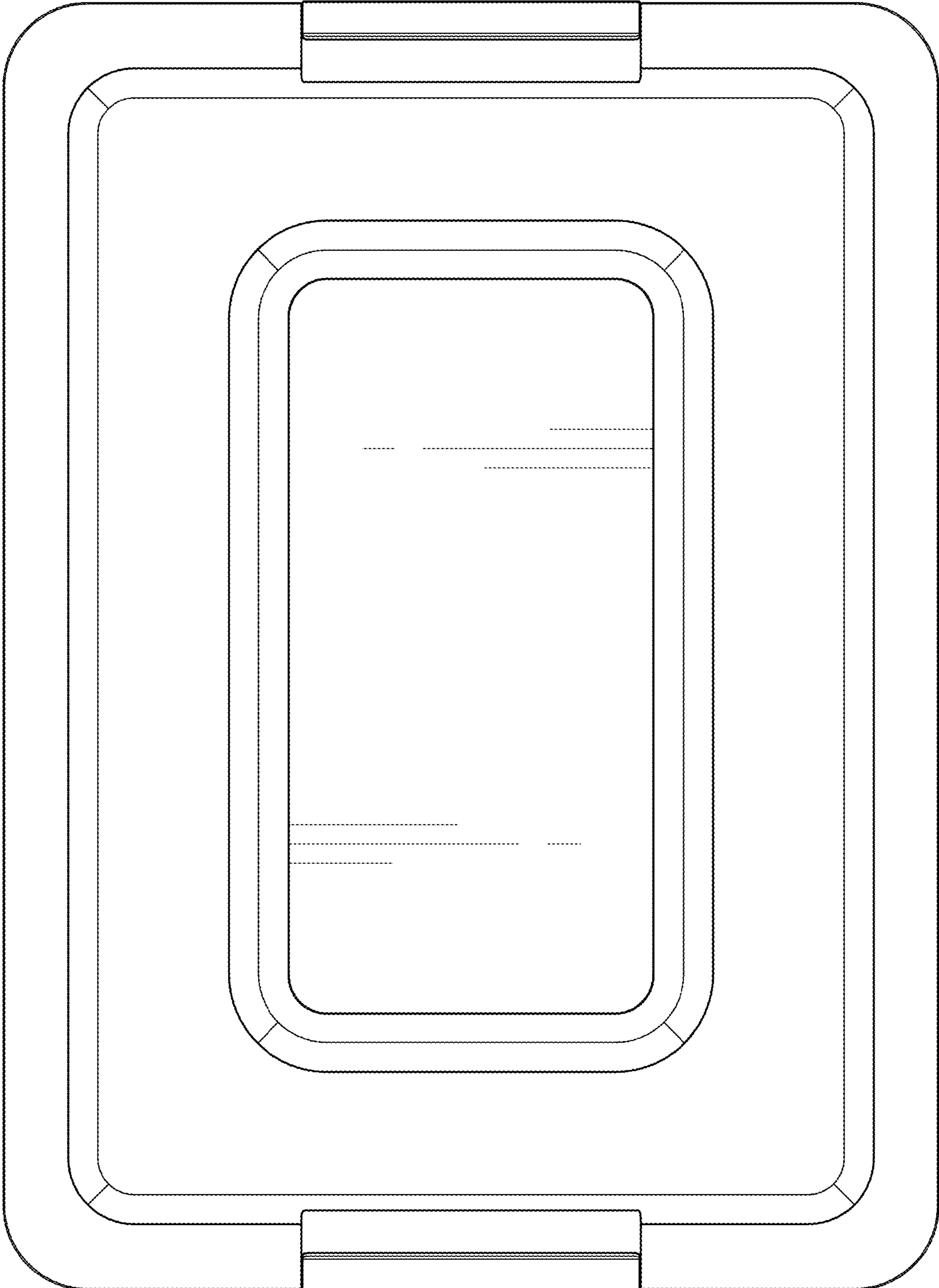


FIG. 5

