



US00D949555S

(12) **United States Design Patent** (10) **Patent No.:** **US D949,555 S**
Agueci (45) **Date of Patent:** **** Apr. 26, 2022**

(54) **BAG** D869,846 S * 12/2019 Liu D3/301
D889,112 S * 7/2020 Bloom D3/201
(71) Applicant: **ALFRED DUNHILL LIMITED,** D899,073 S * 10/2020 Bloom D3/201
London (GB)

FOREIGN PATENT DOCUMENTS

(72) Inventor: **Francesca Agueci, Vita (IT)** EM 005320504-0001 6/2018
EM 005320504-0002 6/2018
(**) Term: **15 Years** EM 005320504-0004 6/2018

OTHER PUBLICATIONS

(21) Appl. No.: **35/508,616**
(22) Filed: **Jan. 17, 2020**
(80) **Hague Agreement Data**
Int. Filing Date: **Jan. 17, 2020**
Int. Reg. No.: **DM/205906**
Int. Reg. Date: **Jan. 17, 2020**
Int. Reg. Pub. Date: **Feb. 14, 2020**
Car seat fabric—publicly displayed and available between 1961 and 1975.
Motorities Car Trunk Briefcases—publicly displayed and available as early as 1910.
Leather Executive and Overnight Cases—publicly displayed and available as early as 1960.

* cited by examiner

Primary Examiner — Holly E Thurman

(51) **LOC (13) Cl.** **03-01**
(52) **U.S. Cl.**
USPC **D3/232**
(58) **Field of Classification Search**
USPC D3/201, 217, 232–233, 240–243,
D3/245–247, 249–253, 318, 321, 322
CPC G09F 1/10
See application file for complete search history.

(57) **CLAIM**

The ornamental design for a bag, as shown and described.

DESCRIPTION

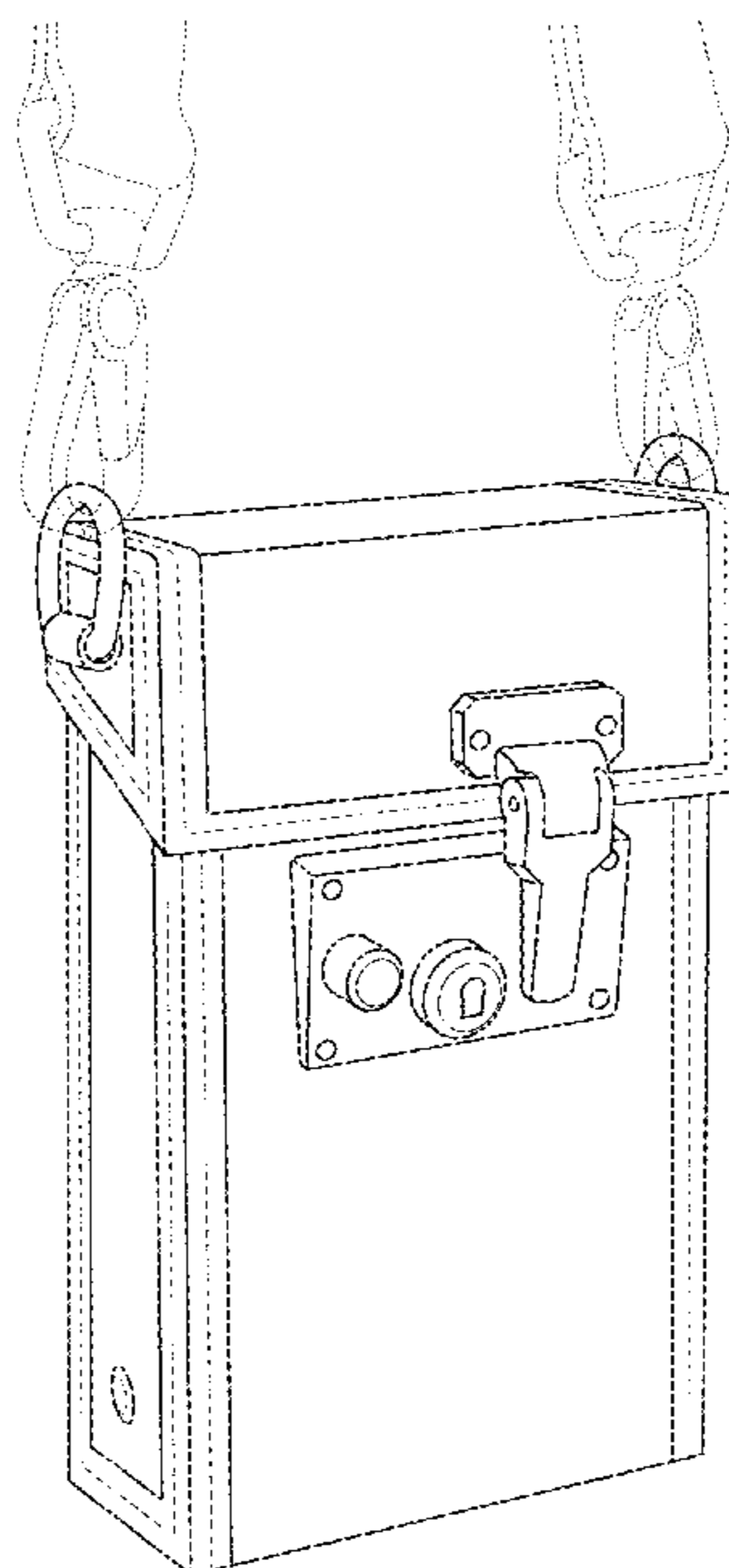
(56) **References Cited**

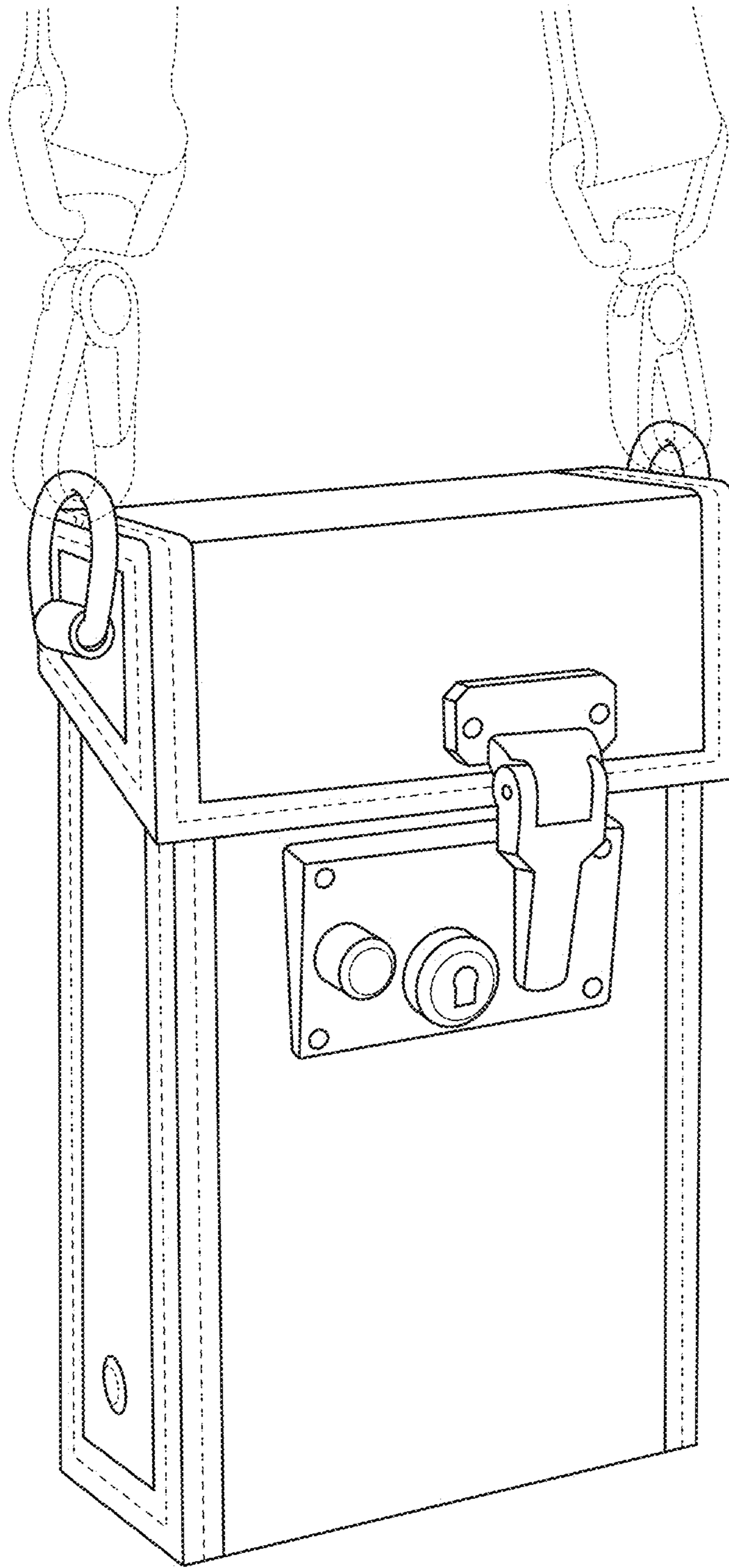
U.S. PATENT DOCUMENTS

2,822,013 A * 2/1958 Renz A45C 11/24
190/126
D258,702 S * 3/1981 Weinreb D3/243
D273,535 S * 4/1984 Weinreb 150/113
6,044,879 A * 4/2000 Ray A45C 3/00
150/107
7,320,402 B2 * 1/2008 Lewis A45C 5/065
190/1

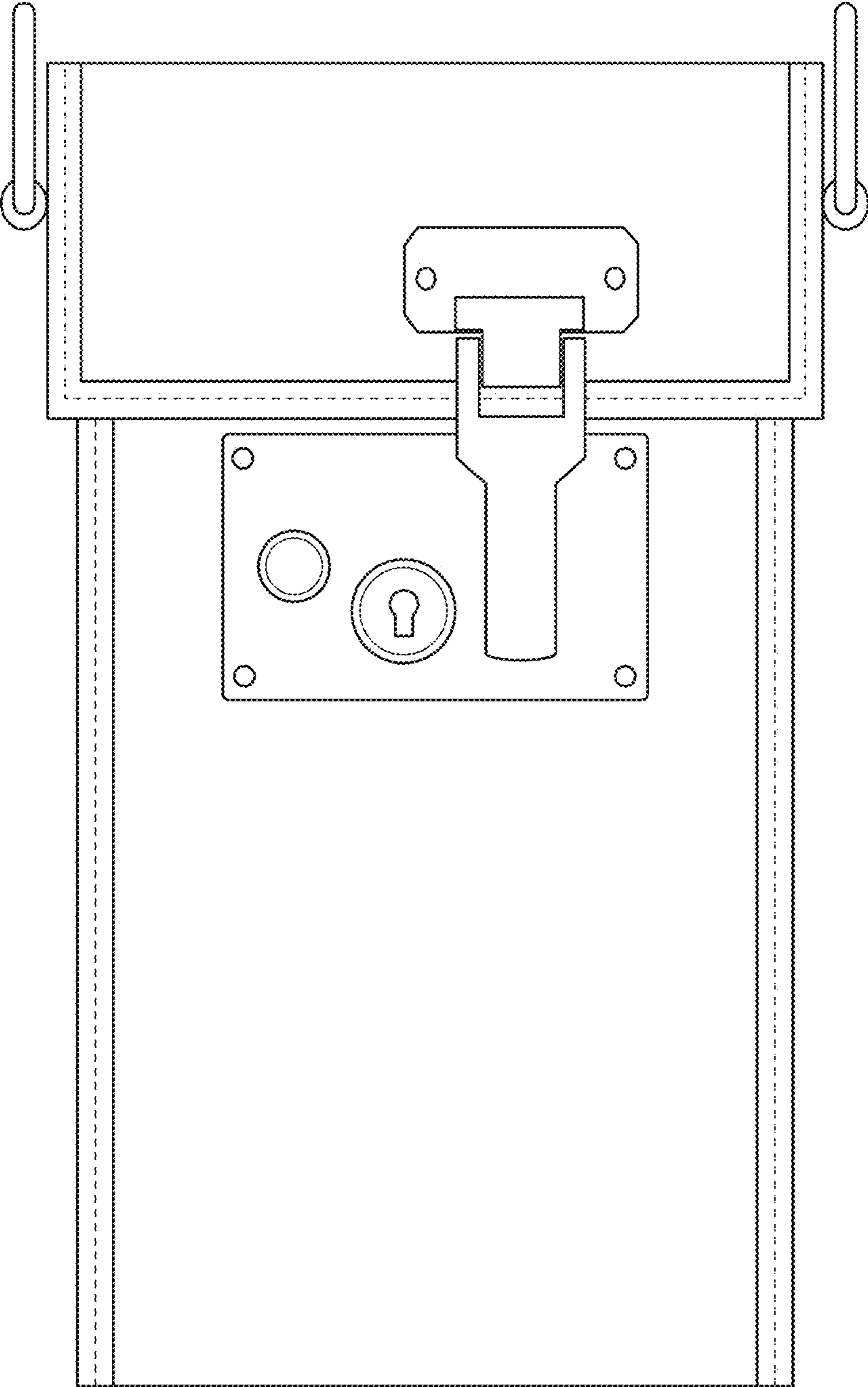
FIG. 1.1 is a front perspective view of the bag showing our new design;
FIG. 1.2 is a front view thereof;
FIG. 1.3 is a back view thereof;
FIG. 1.4 is a right side view thereof;
FIG. 1.5 is a left side view thereof;
FIG. 1.6 is a top view thereof; and
FIG. 1.7 is a bottom view thereof.
The dashed lines indicate stitching that forms part of the claimed design.
The dotted broken lines in the drawings represent environmental matter that forms no part of the claimed design.

1 Claim, 7 Drawing Sheets

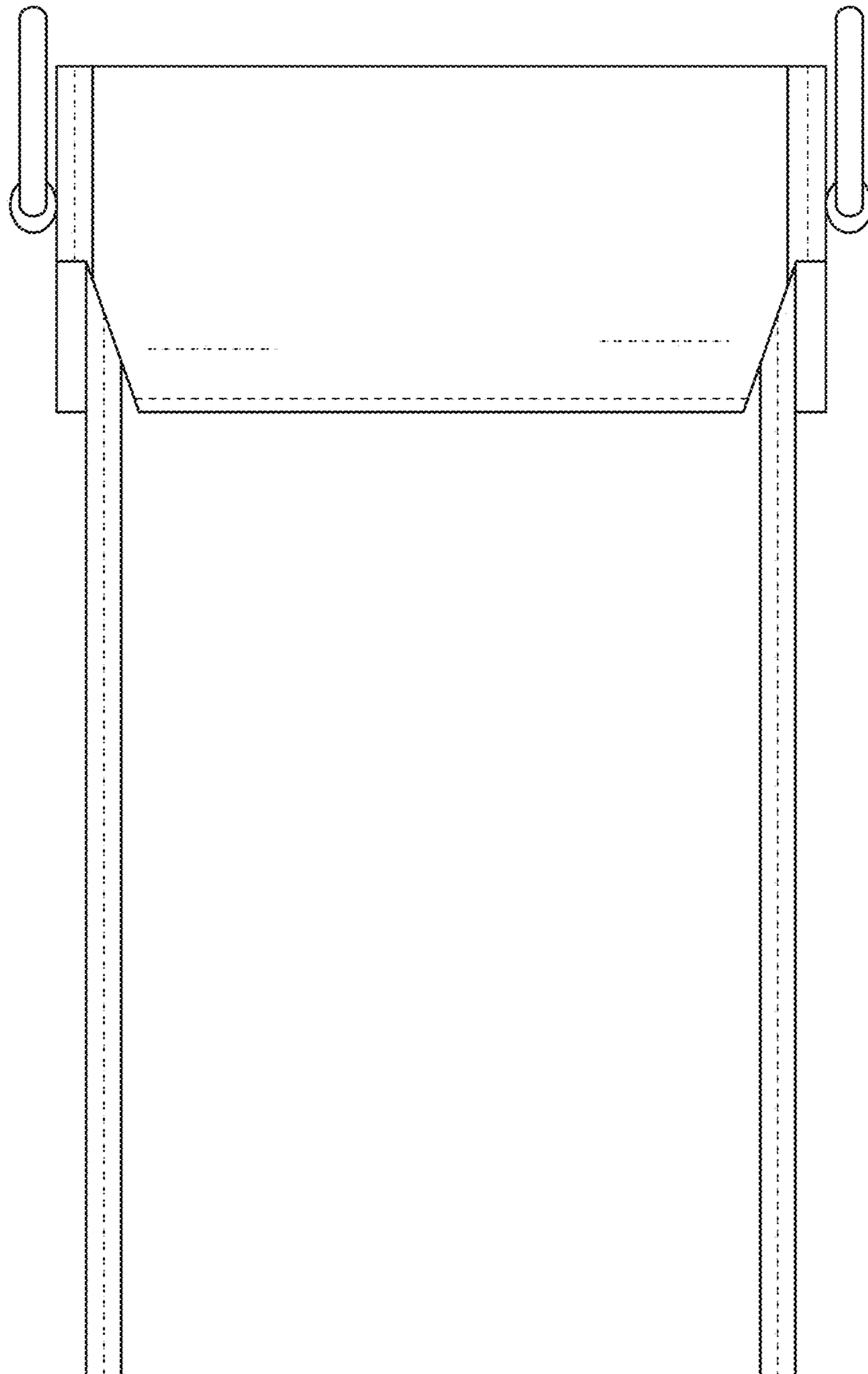




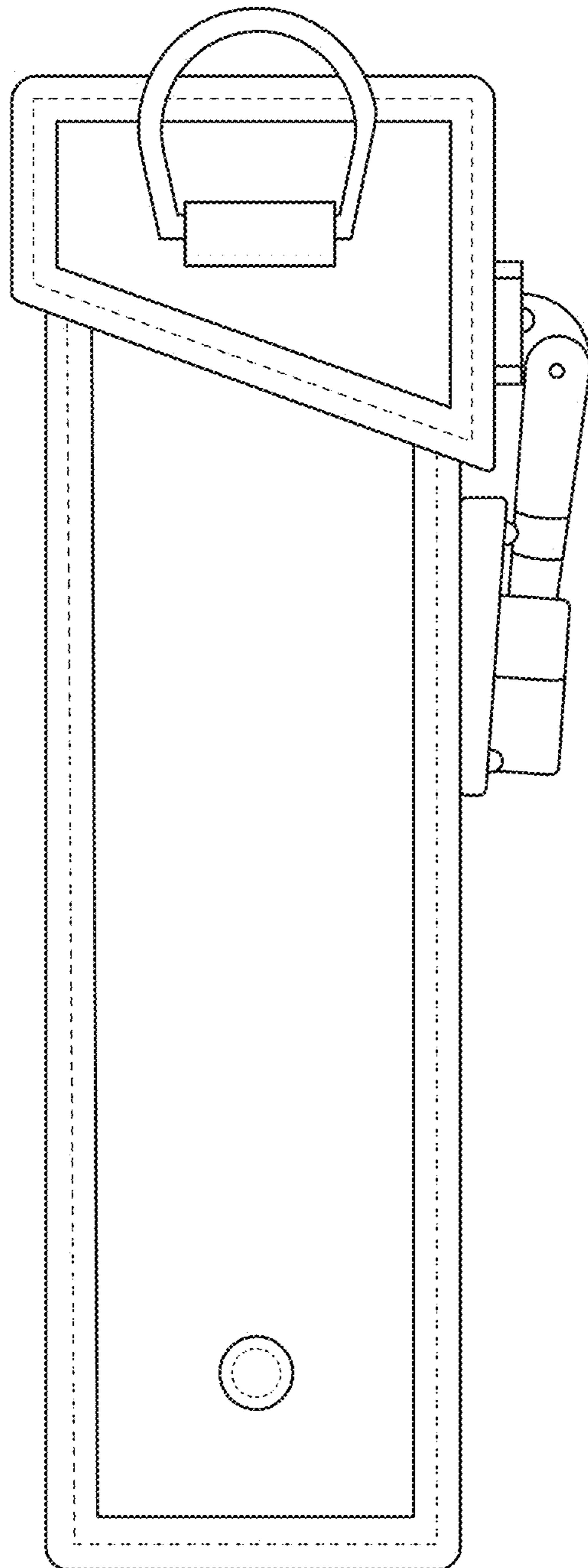
1.1



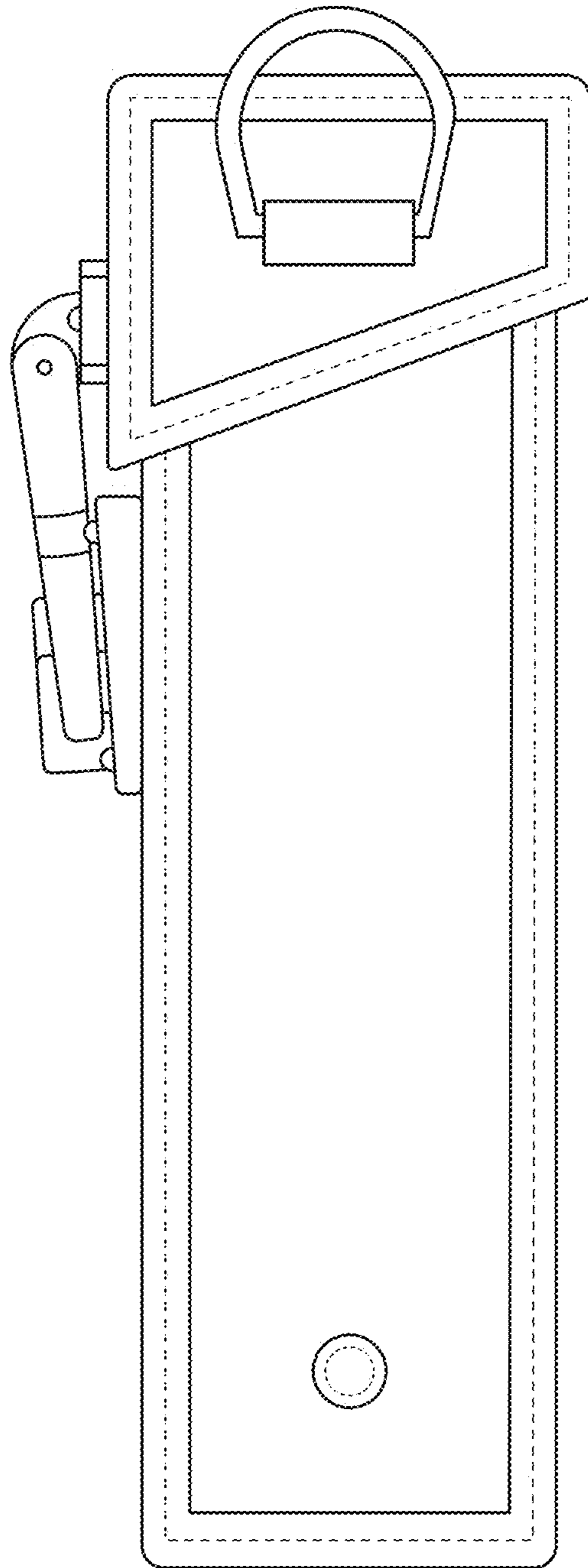
1.2



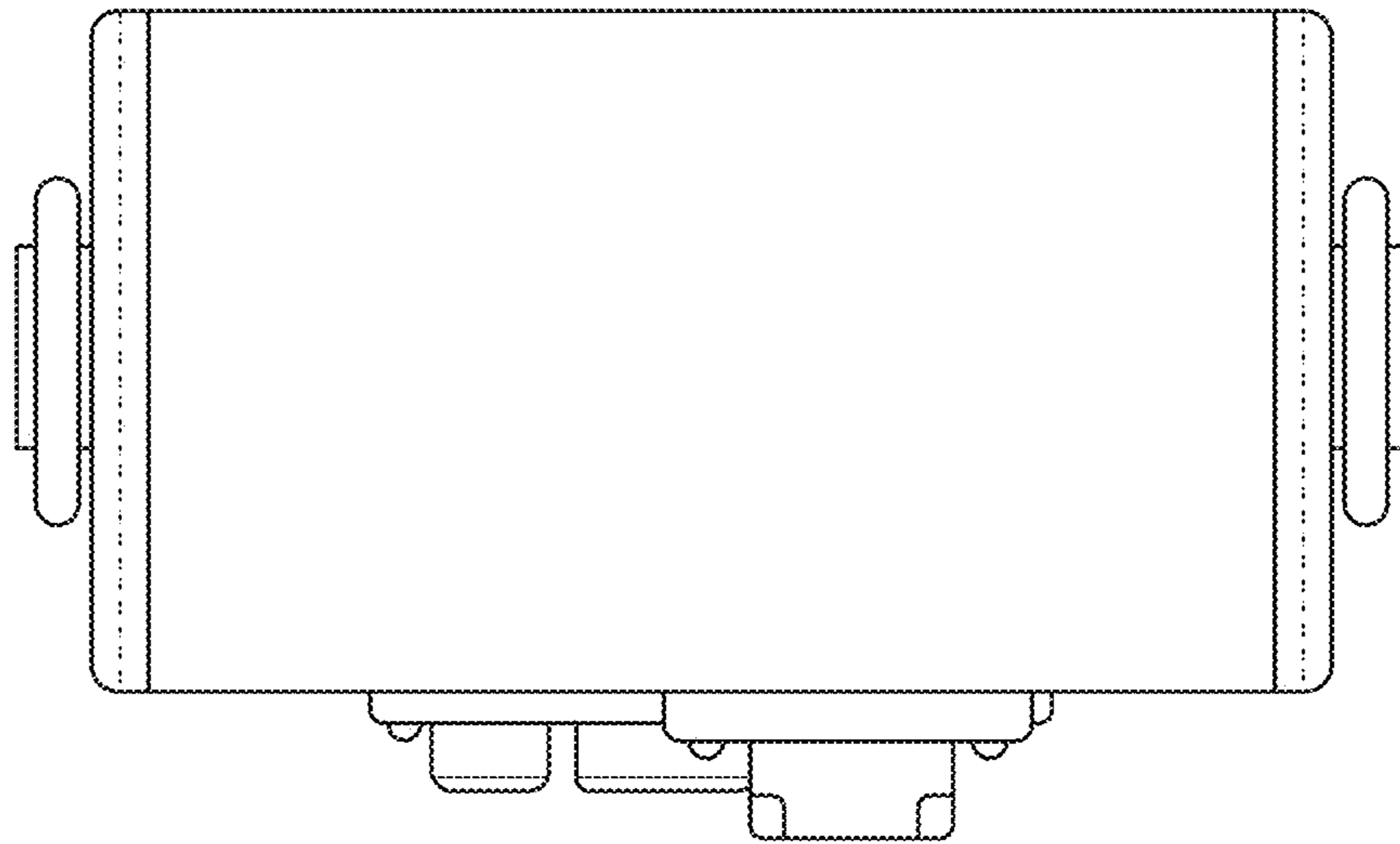
1.3



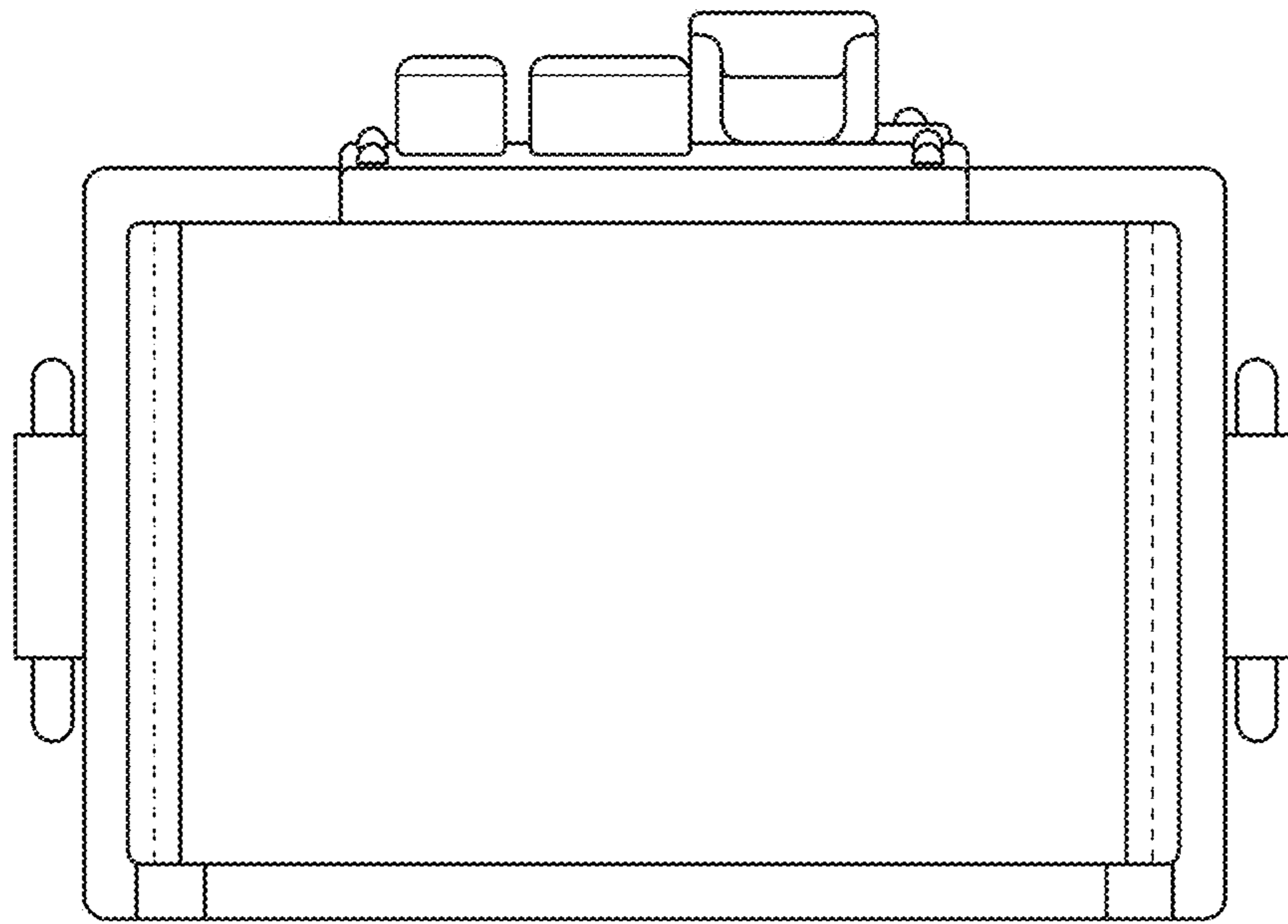
1.4



1.5



1.6



1.7