



US00D949554S

(12) **United States Design Patent**
Pan

(10) **Patent No.:** **US D949,554 S**

(45) **Date of Patent:** **** Apr. 26, 2022**

(54) **HOLDER FOR MOBILE TELEPHONES**

(71) Applicant: **SHENZHEN ZHIDAWEI TECHNOLOGY CO., LTD**, Shenzhen (CN)

(72) Inventor: **Zhi Pan**, Shenzhen (CN)

(73) Assignee: **SHENZHEN ZHIDAWEI TECHNOLOGY CO., LTD**, Shenzhen (CN)

(**) Term: **15 Years**

(21) Appl. No.: **29/782,985**

(22) Filed: **May 11, 2021**

(51) **LOC (13) Cl.** **03-01**

(52) **U.S. Cl.**
USPC **D3/218**

(58) **Field of Classification Search**
USPC D3/218, 215, 226; D14/191-192, 240
CPC A45F 5/00; A45F 2200/0516; A45F 2005/008; A45F 2005/0508; A45F 2200/05; A44C 5/00; A45C 1/04; A45C 2011/002; A45C 13/30
See application file for complete search history.

(56) **References Cited**

U.S. PATENT DOCUMENTS

D420,506 S *	2/2000	Merritt	D3/218
D616,197 S *	5/2010	Fuccella	D3/218
D655,497 S *	3/2012	Stanley	D3/218
D708,980 S *	7/2014	Brantman	D10/128
D752,857 S *	4/2016	Morgan	D3/218
D762,375 S *	8/2016	Duarte	D3/218
D773,802 S *	12/2016	Morgan	D3/218
D821,743 S *	7/2018	Cao	D3/218
D831,335 S *	10/2018	Crease	D3/218
D839,869 S *	2/2019	Wang	
D848,731 S *	5/2019	Ge	D3/226

D852,793 S *	7/2019	Zhou	D3/218
D856,663 S *	8/2019	Ackerman	D3/218
D860,640 S *	9/2019	Xu	D3/218
D884,711 S *	5/2020	Zhang et al.	
D922,063 S *	6/2021	Kirchner	D3/218
D923,328 S *	6/2021	Xiao	D3/218
2012/0255978 A1 *	10/2012	Williams	A45F 5/00 224/219

(Continued)

Primary Examiner — Catherine R Oliver-Garcia

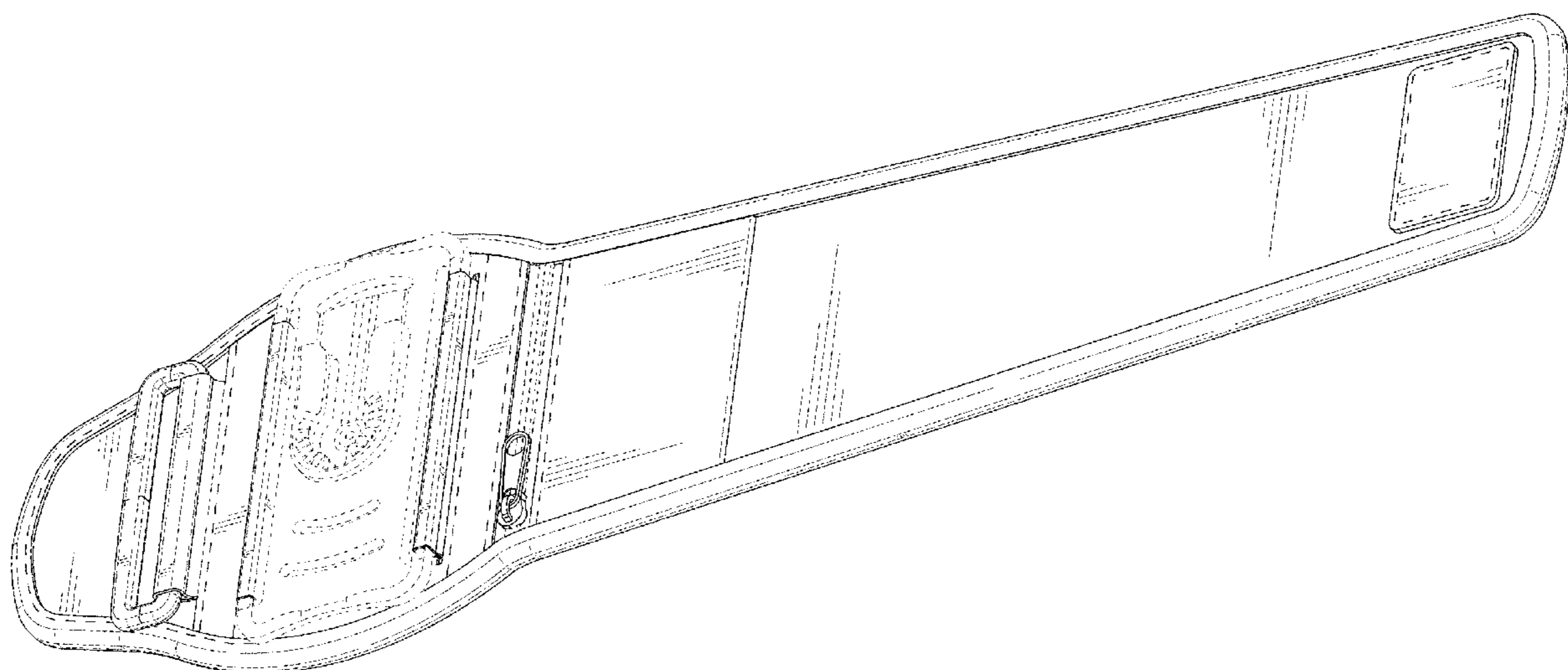
(57) **CLAIM**

The ornamental design for a holder for mobile telephones, as shown and described.

DESCRIPTION

FIG. 1 is a perspective view of a holder for mobile telephones showing my new design;
 FIG. 2 is another perspective view thereof;
 FIG. 3 is a front elevational view thereof;
 FIG. 4 is a rear elevational view thereof;
 FIG. 5 is a left side elevational view thereof;
 FIG. 6 is a right side elevational view thereof;
 FIG. 7 is a top plan view thereof;
 FIG. 8 is a bottom plan view thereof;
 FIG. 9 is a perspective view of the holder for mobile telephones where the holder for mobile telephones is in a first configuration of use;
 FIG. 10 is a perspective view of the holder for mobile telephones where the holder for mobile telephones is in a second configuration of use;
 FIG. 11 is a perspective view of the holder for mobile telephones where the holder for mobile telephones is in a third configuration of use; and,
 FIG. 12 is an exploded perspective view of the holder for mobile telephones.
 The broken lines in the drawings depict portions of the holder for mobile telephones that form no part of the claimed design.

1 Claim, 12 Drawing Sheets



(56)

References Cited

U.S. PATENT DOCUMENTS

2016/0183667 A1* 6/2016 MacColl A45F 5/00
224/222
2017/0086569 A1* 3/2017 Grote A45F 5/00
2021/0127816 A1* 5/2021 Sirichai A45F 5/00

* cited by examiner

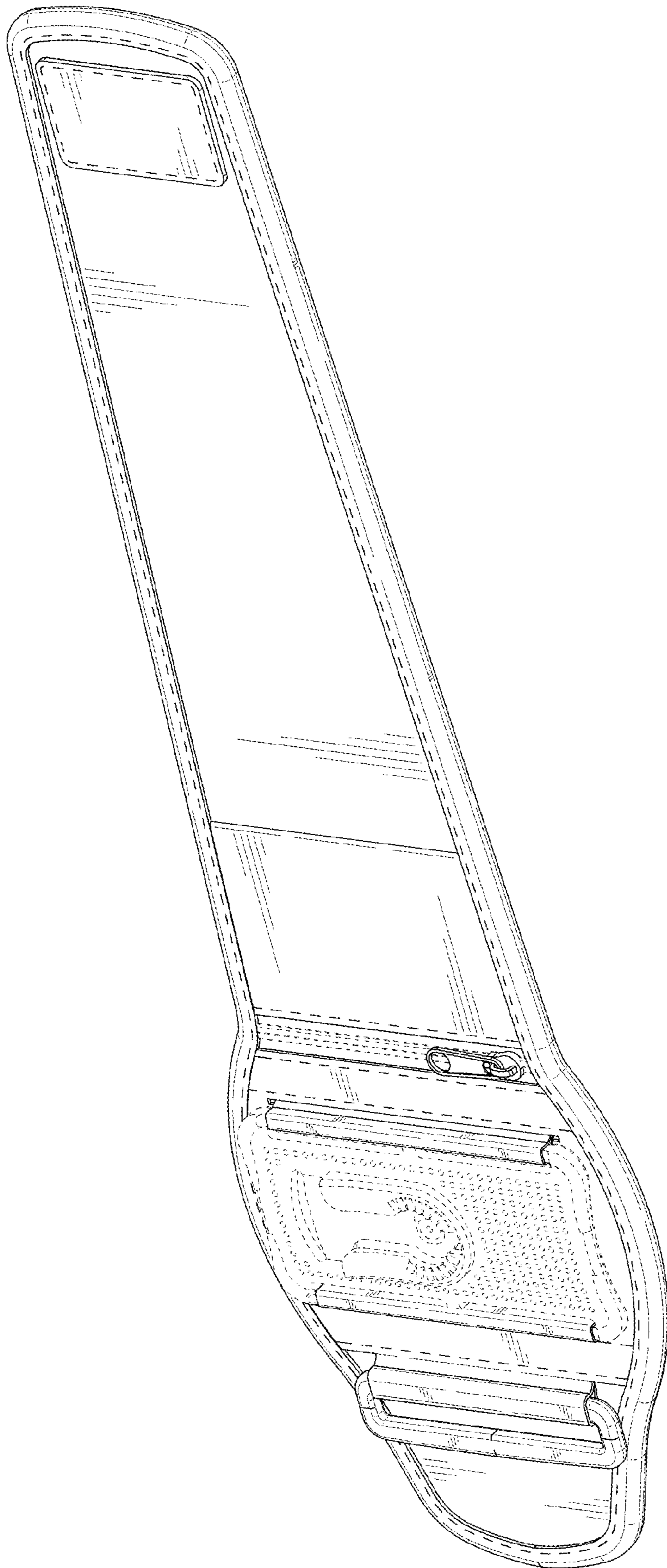


FIG. 1

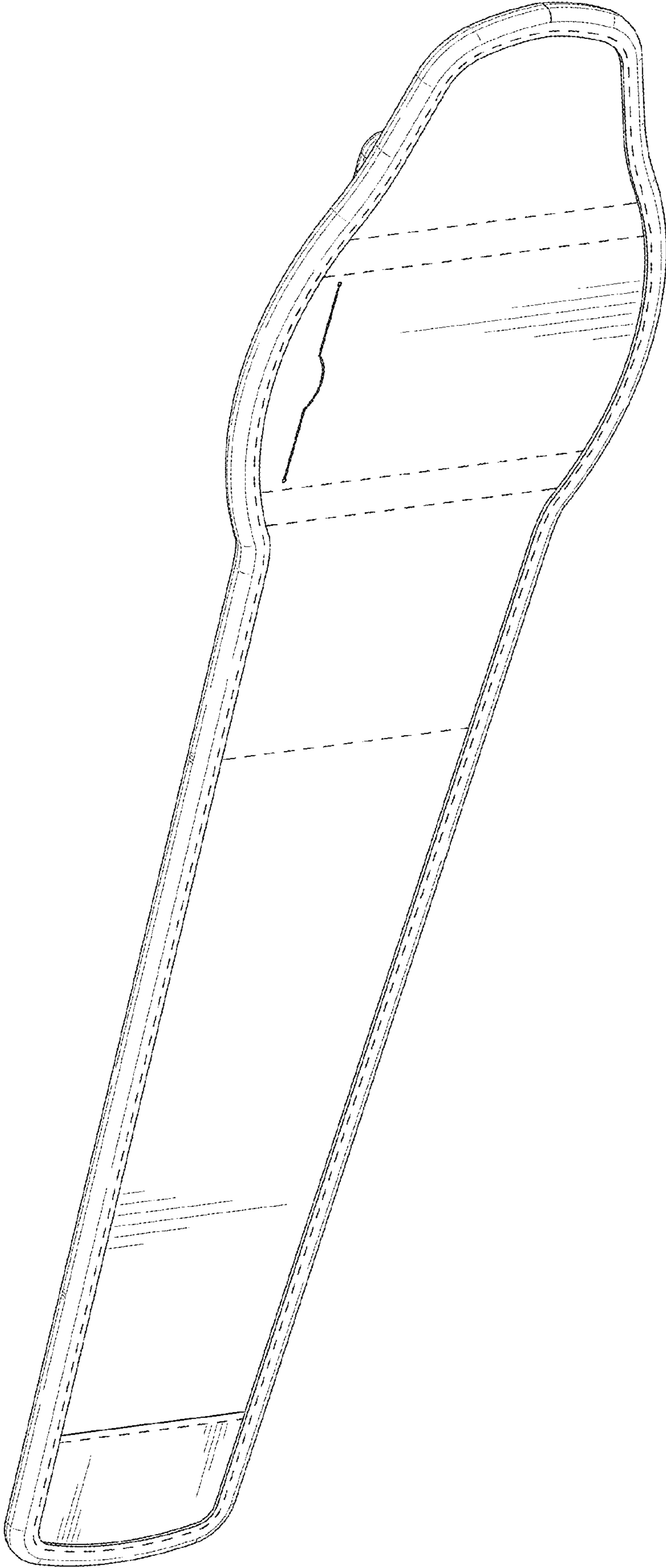


FIG. 2

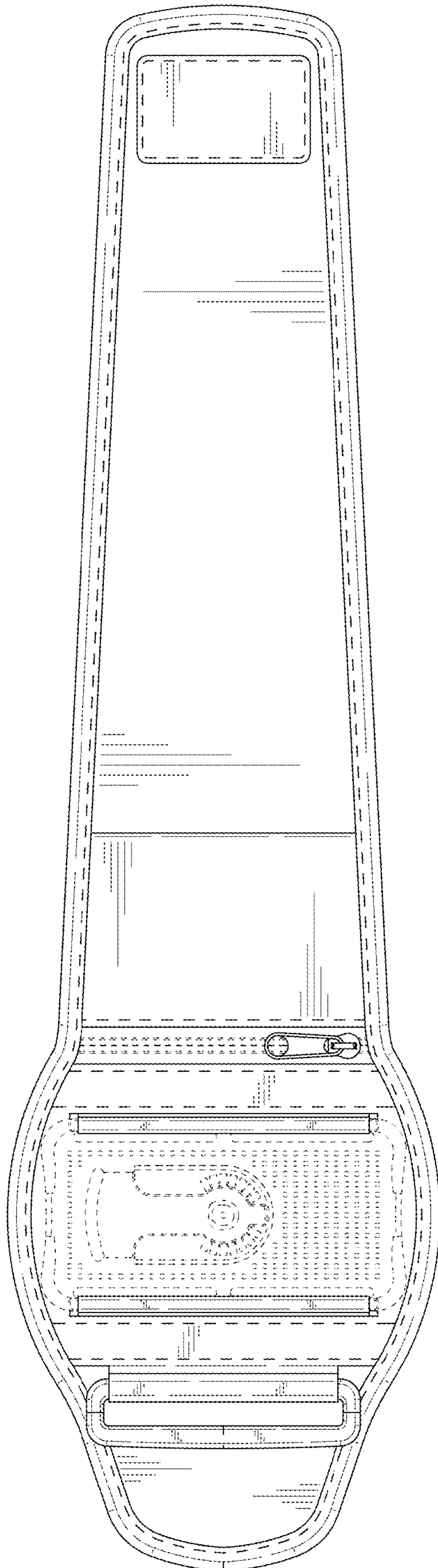


FIG. 3

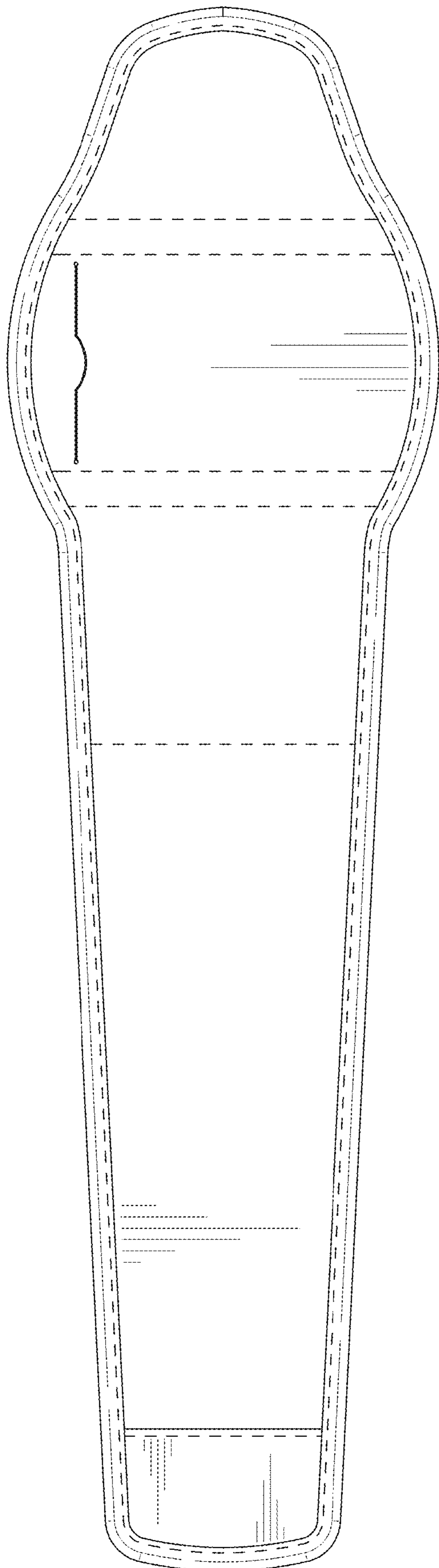


FIG. 4

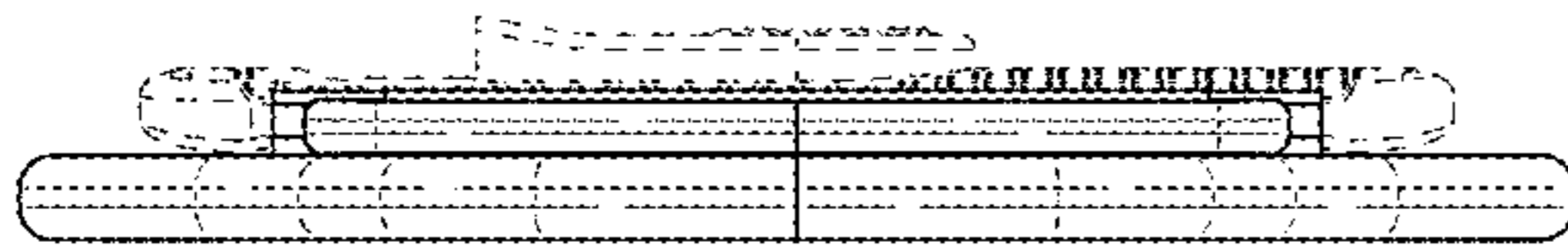


FIG. 5

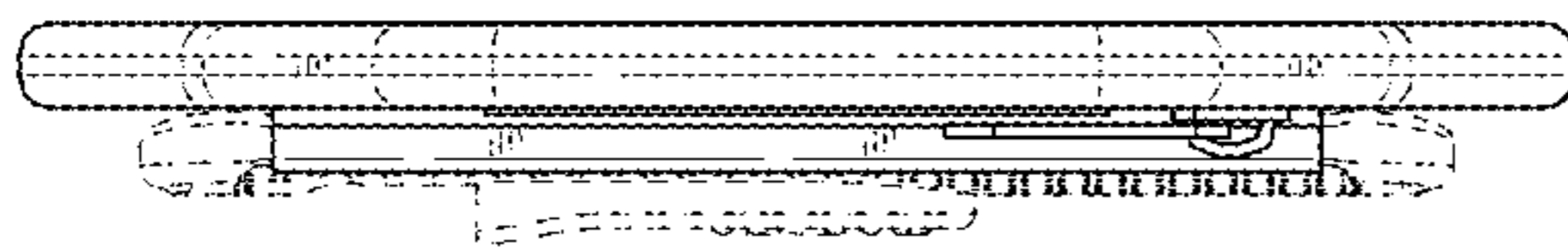


FIG. 6

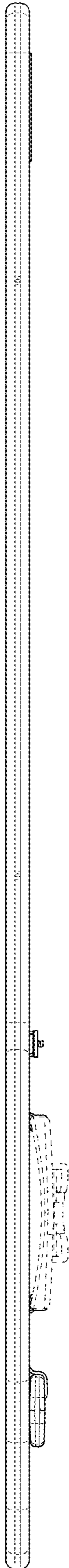


FIG. 7

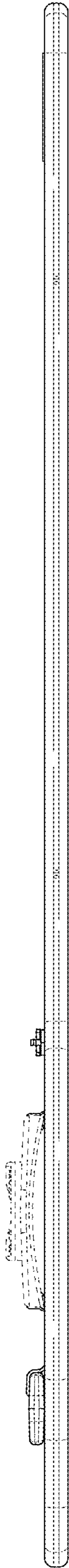


FIG. 8

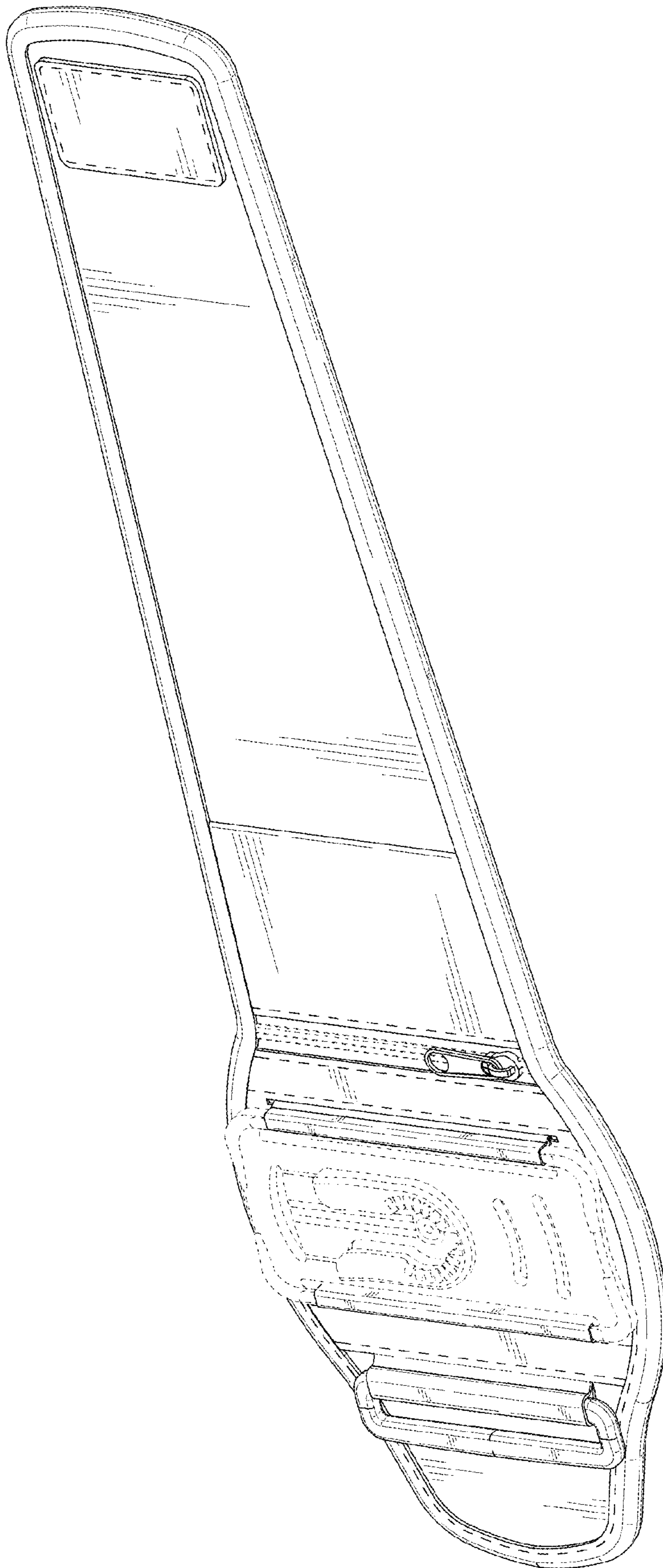


FIG. 9

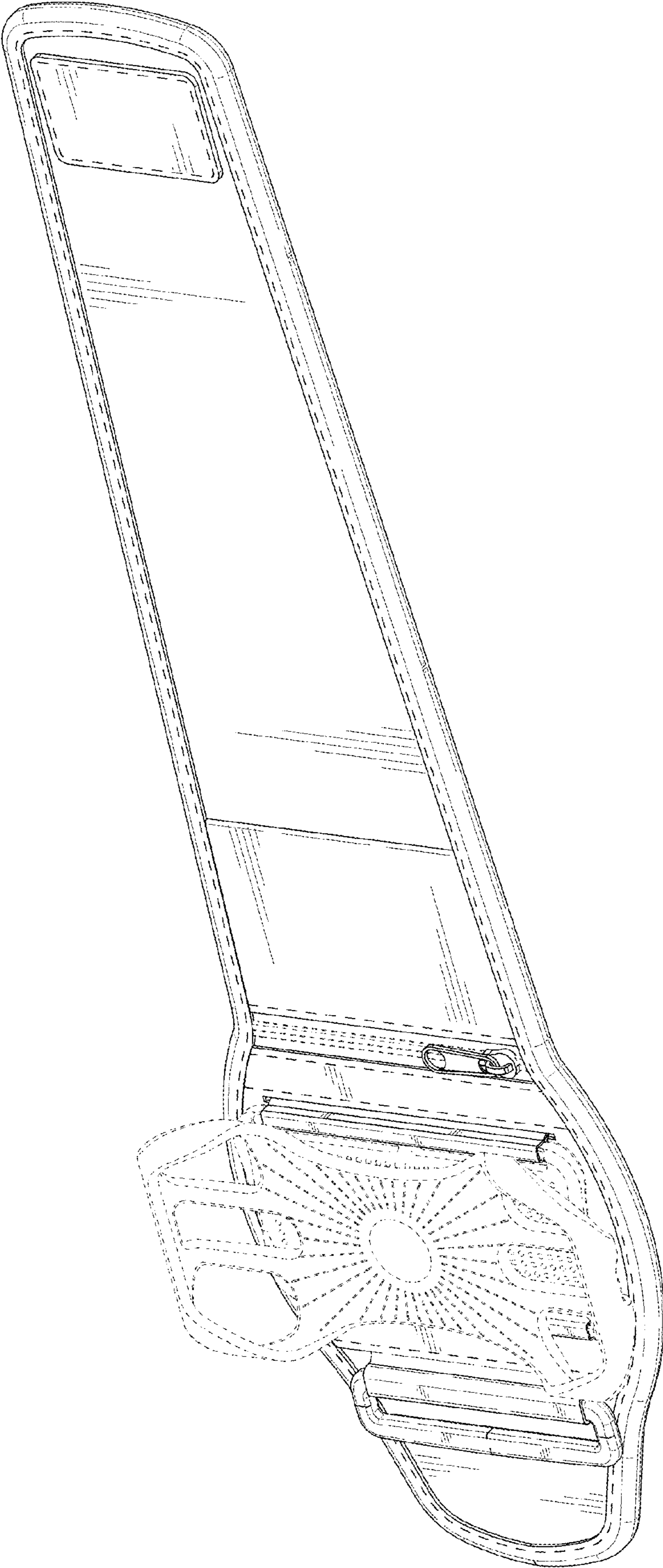


FIG. 10

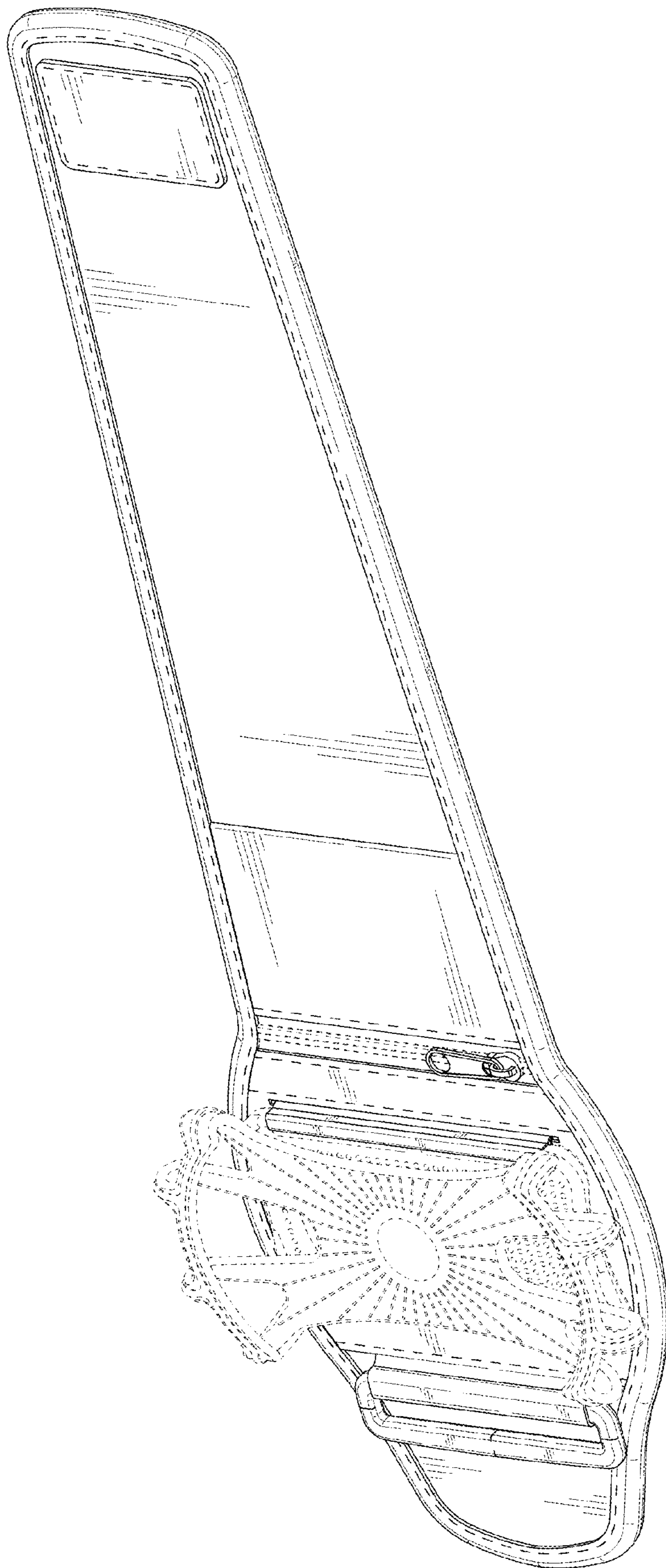


FIG. 11

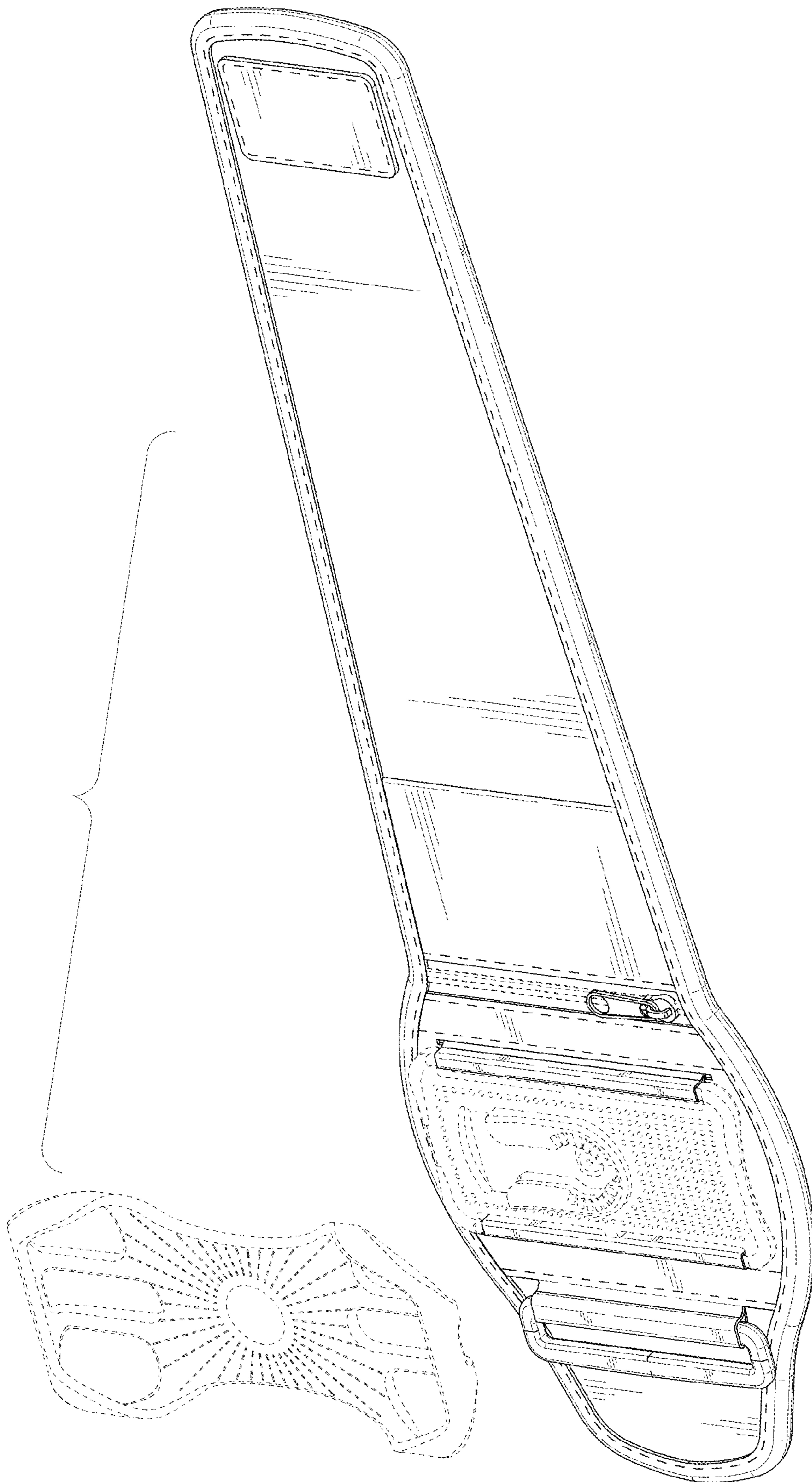


FIG. 12