



US00D949553S

(12) **United States Design Patent** (10) **Patent No.:** **US D949,553 S**  
**Akana et al.** (45) **Date of Patent:** **\*\* Apr. 26, 2022**

(54) **ACCESSORY FOR AN ELECTRONIC DEVICE**

(71) Applicant: **Apple Inc.**, Cupertino, CA (US)

(72) Inventors: **Jody Akana**, San Francisco, CA (US); **Molly Anderson**, San Francisco, CA (US); **Bartley K. Andre**, Palo Alto, CA (US); **Shota Aoyagi**, San Francisco, CA (US); **Anthony Michael Ashcroft**, San Francisco, CA (US); **Marine C. Bataille**, San Francisco, CA (US); **Jeremy Bataillou**, San Francisco, CA (US); **Markus Diebel**, San Francisco, CA (US); **M. Evans Hankey**, San Francisco, CA (US); **Julian Hoenig**, San Francisco, CA (US); **Richard P. Howarth**, San Francisco, CA (US); **Jonathan P. Ive**, San Francisco, CA (US); **Julian Jaede**, San Francisco, CA (US); **Duncan Robert Kerr**, San Francisco, CA (US); **Peter Russell-Clarke**, San Francisco, CA (US); **Benjamin Andrew Shaffer**, San Jose, CA (US); **Joe Sung-Ho Tan**, San Francisco, CA (US); **Clement Tissandier**, San Francisco, CA (US); **Eugene Antony Whang**, San Francisco, CA (US); **Rico Zörkendörfer**, San Francisco, CA (US)

(73) Assignee: **Apple Inc.**, Cupertino, CA (US)

(\*\*) Term: **15 Years**

(21) Appl. No.: **29/739,579**

(22) Filed: **Jun. 26, 2020**

(51) **LOC (13) Cl.** ..... **03-01**

(52) **U.S. Cl.**  
USPC ..... **D3/215**

(58) **Field of Classification Search**  
USPC ..... D3/215, 218–219, 208, 210; D11/1–3, D11/14, 203, 207; D10/104.1, 104.2,  
(Continued)

(56) **References Cited**

U.S. PATENT DOCUMENTS

D378,465 S \* 3/1997 Fekete ..... D11/79  
D501,781 S \* 2/2005 Galli ..... D26/37  
(Continued)

FOREIGN PATENT DOCUMENTS

CN 305642468 S 3/2020  
KR 30-0503513 8/2008

*Primary Examiner* — Catherine R Oliver-Garcia  
(74) *Attorney, Agent, or Firm* — Sterne, Kessler, Goldstein & Fox P.L.L.C.

(57) **CLAIM**

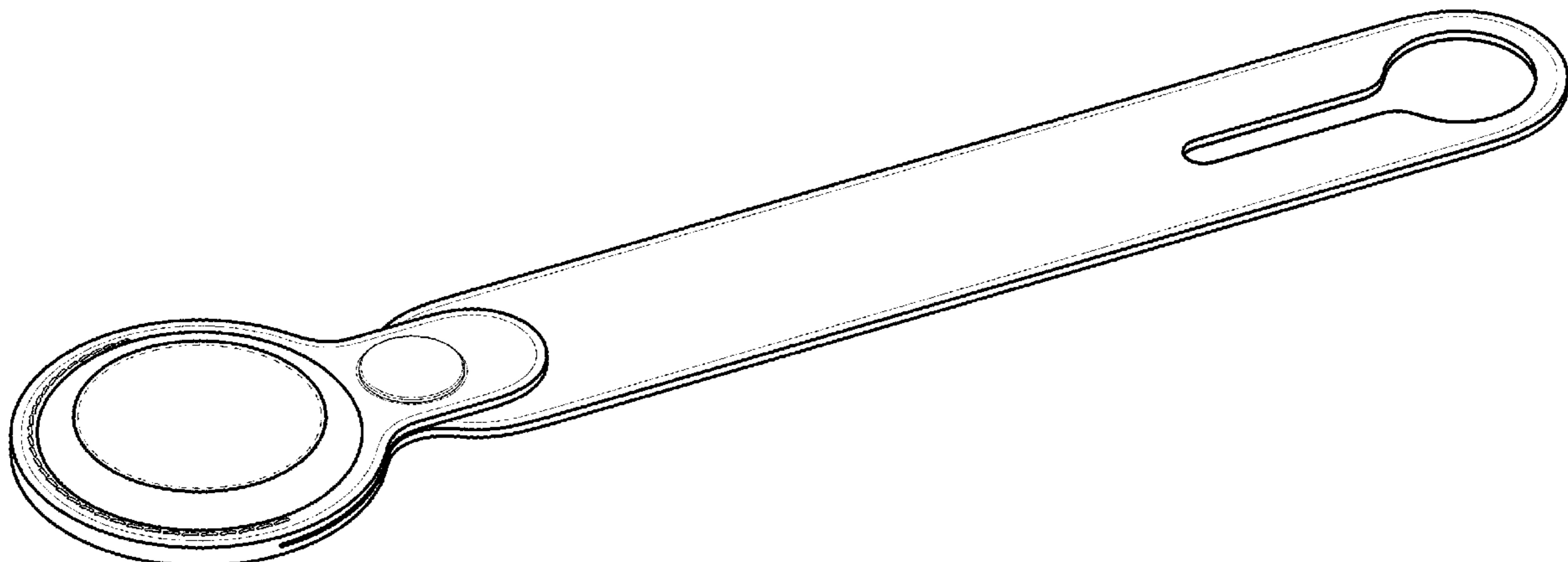
The ornamental design for an accessory for an electronic device, as shown and described.

**DESCRIPTION**

FIG. 1 is a bottom front perspective view of an accessory for an electronic device showing the claimed design; FIG. 2 is a bottom rear perspective view thereof; FIG. 3 is a front view thereof; FIG. 4 is a rear view thereof; FIG. 5 is a right side view thereof; FIG. 6 is a left side view thereof; FIG. 7 is a top view thereof; FIG. 8 is a bottom view thereof; and, FIG. 9 is a perspective view thereof showing the accessory for an electronic device in an environment in which it may be used.

The broken lines in FIG. 9 show environment that forms no part of the claimed design.

**1 Claim, 4 Drawing Sheets**



(58) **Field of Classification Search**

USPC ..... D10/106.1; D13/168; D8/334–336, 349,  
D8/356, 367, 333

CPC ..... A44B 15/00; A44B 15/005; A44B 17/00;  
A44B 17/004; B60R 25/24; B60R  
25/248; E05B 19/00; E05B 19/04; E05B  
19/0017; E05B 2047/0084

See application file for complete search history.

(56) **References Cited**

U.S. PATENT DOCUMENTS

D639,465 S \* 6/2011 Abernethy ..... D26/37  
8,171,602 B1 \* 5/2012 Zauhar ..... A45F 5/00  
24/3.2  
D779,814 S \* 2/2017 Akana ..... D3/218  
D909,052 S \* 2/2021 Akana ..... D3/218  
2020/0329854 A1 \* 10/2020 Chartrand ..... A45F 5/021

\* cited by examiner

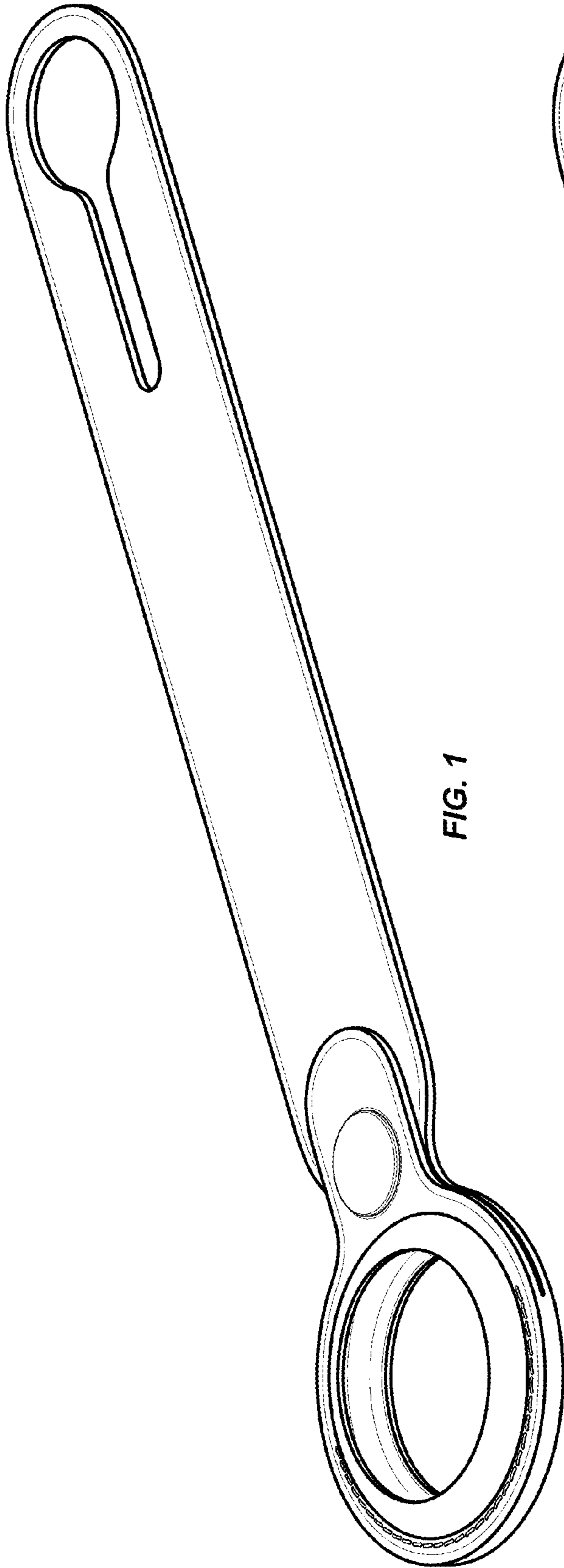


FIG. 1

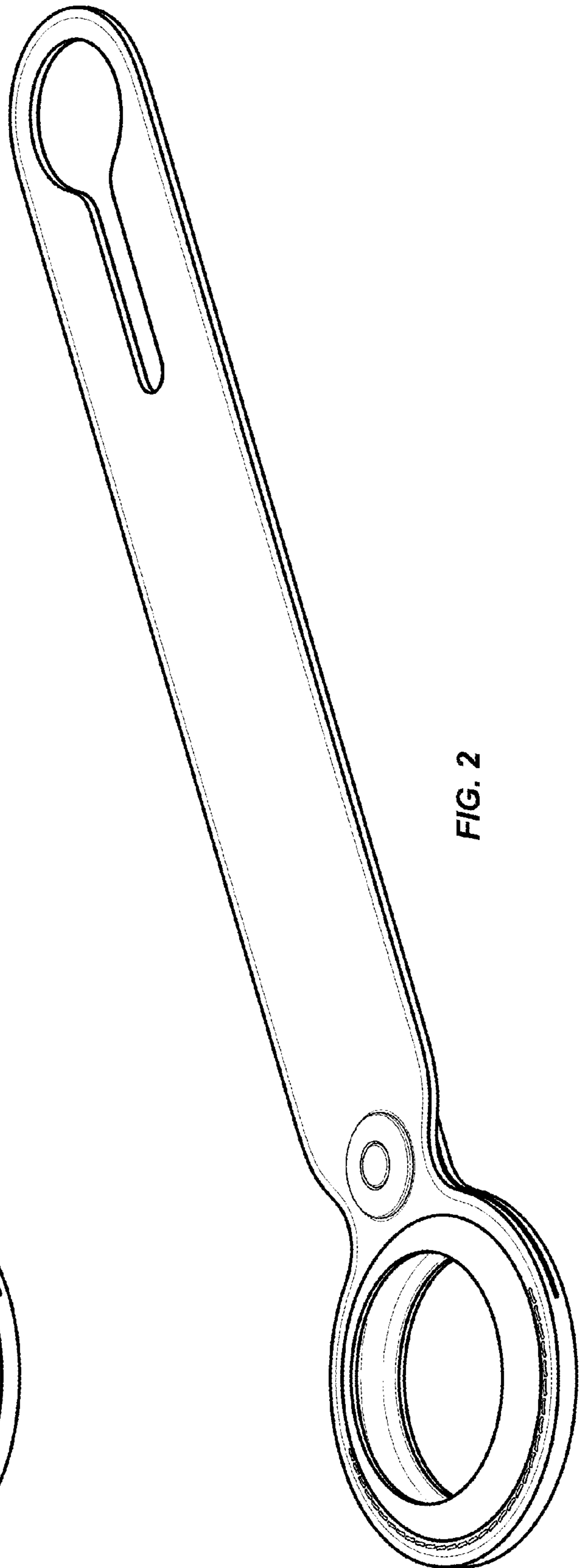


FIG. 2

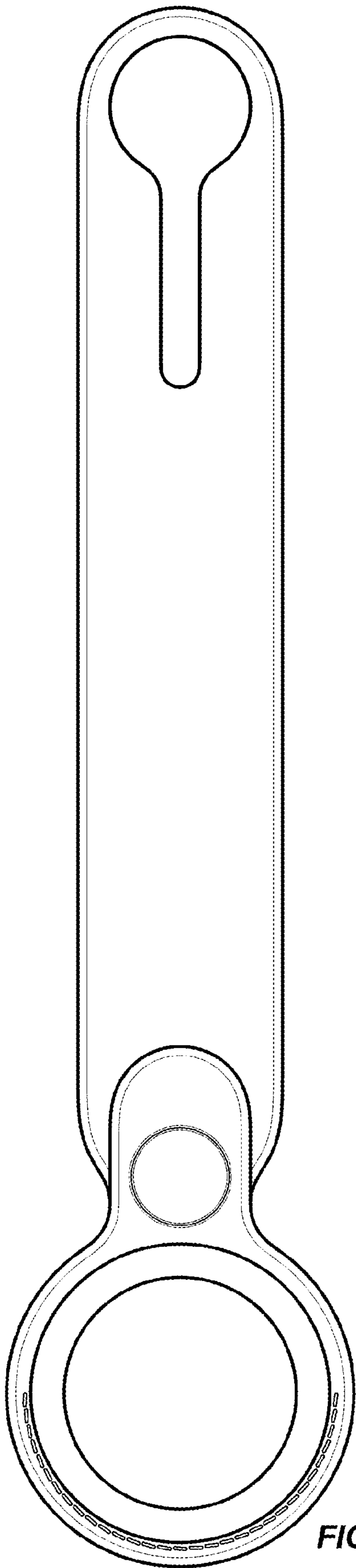


FIG. 3

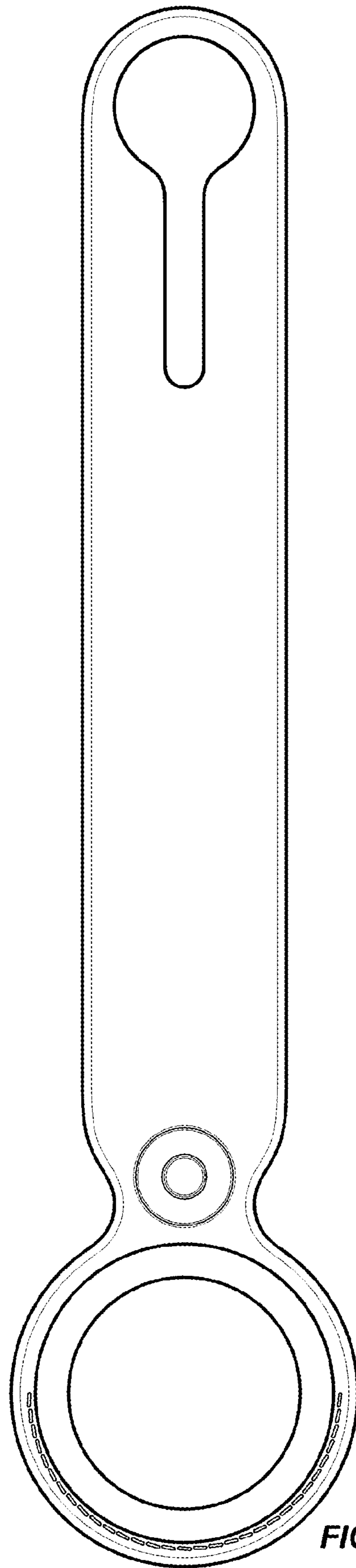


FIG. 4

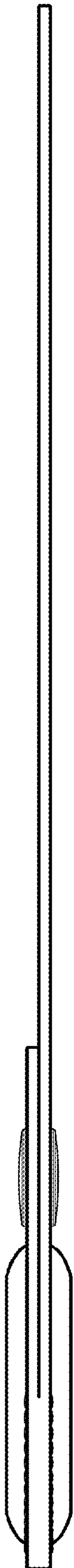


FIG. 5

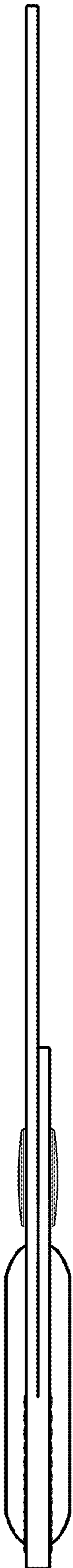


FIG. 6

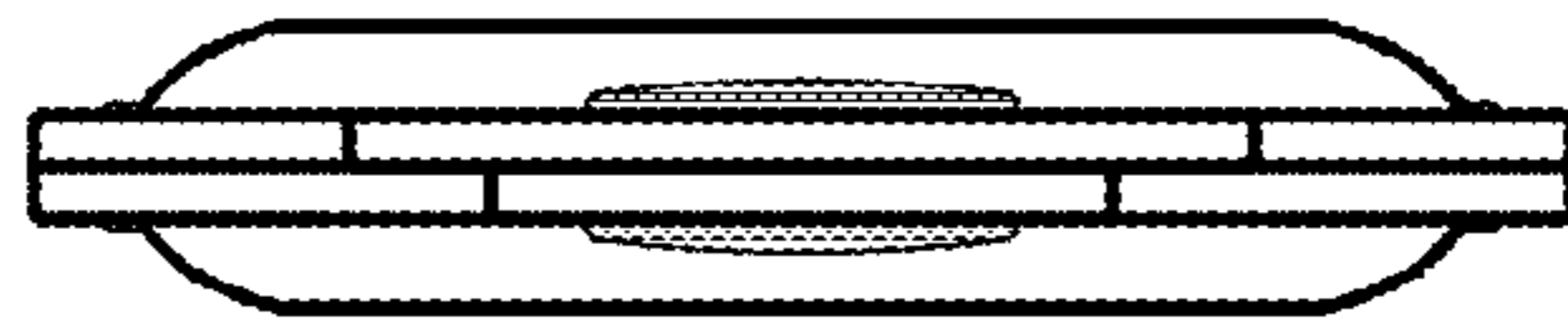


FIG. 7

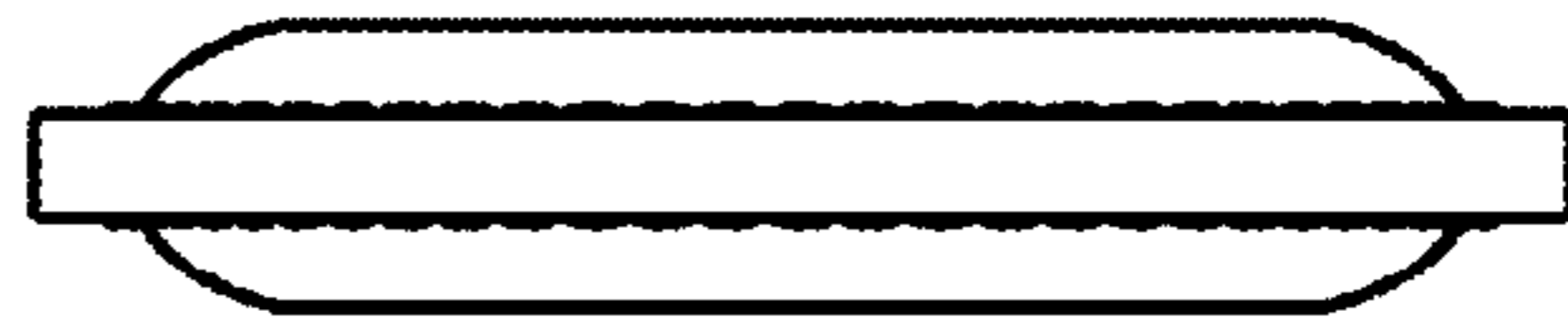


FIG. 8



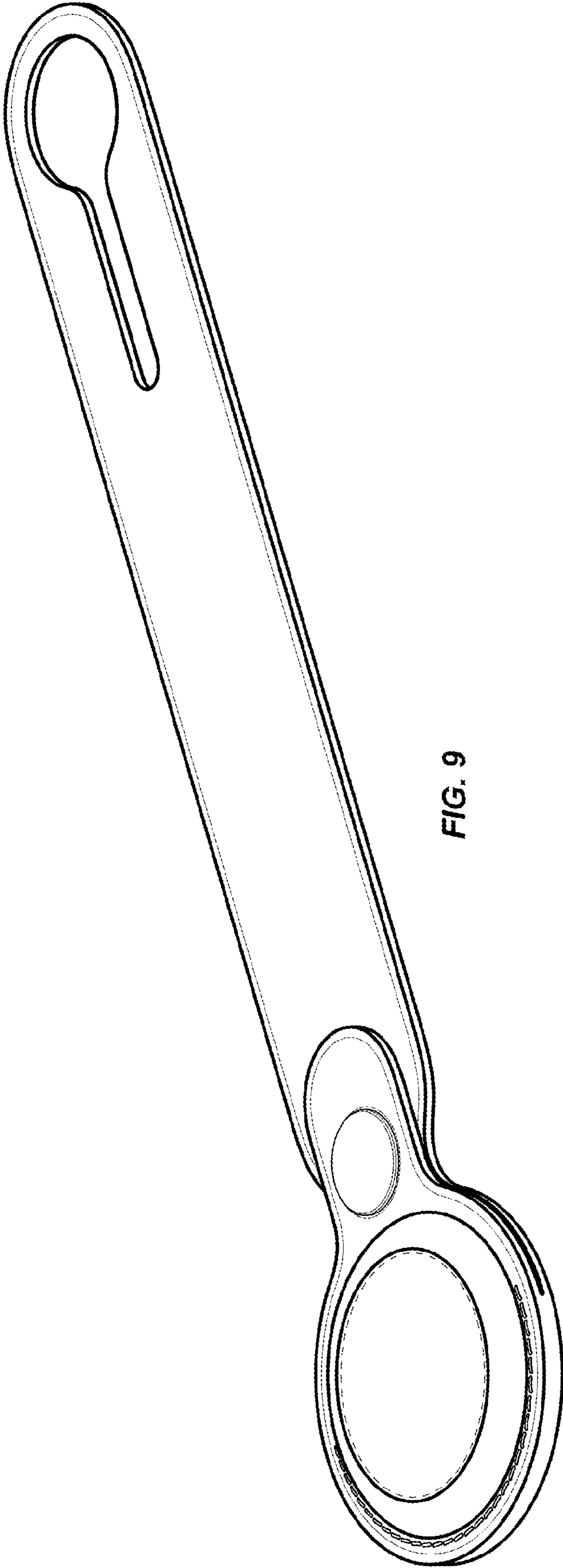


FIG. 9