



US00D949551S

(12) **United States Design Patent**
Yang et al.

(10) **Patent No.:** **US D949,551 S**
(45) **Date of Patent:** **** Apr. 26, 2022**

- (54) **CHILDREN TOOTHBRUSH BOX**
- (71) Applicant: **Thumbs Up Innovations Technology Co., Ltd., Zhuhai (CN)**
- (72) Inventors: **Zhihui Yang, Zhuhai (CN); Yubin Li, Zhuhai (CN); Yuqiang Zhao, Zhuhai (CN); Xiu Zou, Zhuhai (CN); Zhidong Wang, Zhuhai (CN); Rongjin Zheng, Zhuhai (CN); Jiacheng Huang, Zhuhai (CN)**
- (73) Assignee: **Thumbs Up Innovations Technology Co., Ltd., Zhuhai (CN)**
- (**) Term: **15 Years**
- (21) Appl. No.: **29/754,950**
- (22) Filed: **Oct. 15, 2020**
- (51) **LOC (13) Cl.** **03-02**
- (52) **U.S. Cl.**
USPC **D3/205**
- (58) **Field of Classification Search**
USPC D3/205, 206
CPC A45C 11/00; A45C 11/008; A45C 11/26;
A45C 2011/007; A45C 9/00; A45D 44/18
See application file for complete search history.

- D464,682 S * 10/2002 Lin D21/499
- D599,416 S * 9/2009 Turco-Rivas D21/471
- D800,845 S * 10/2017 Sprague D21/499
- D835,211 S * 12/2018 Semling D21/499
- D892,230 S * 8/2020 Wu D21/499

* cited by examiner

Primary Examiner — Charles D Hanson
(74) *Attorney, Agent, or Firm* — ScienBiziP, P.C.

(57) **CLAIM**

The ornamental design for a children toothbrush box, as shown and described.

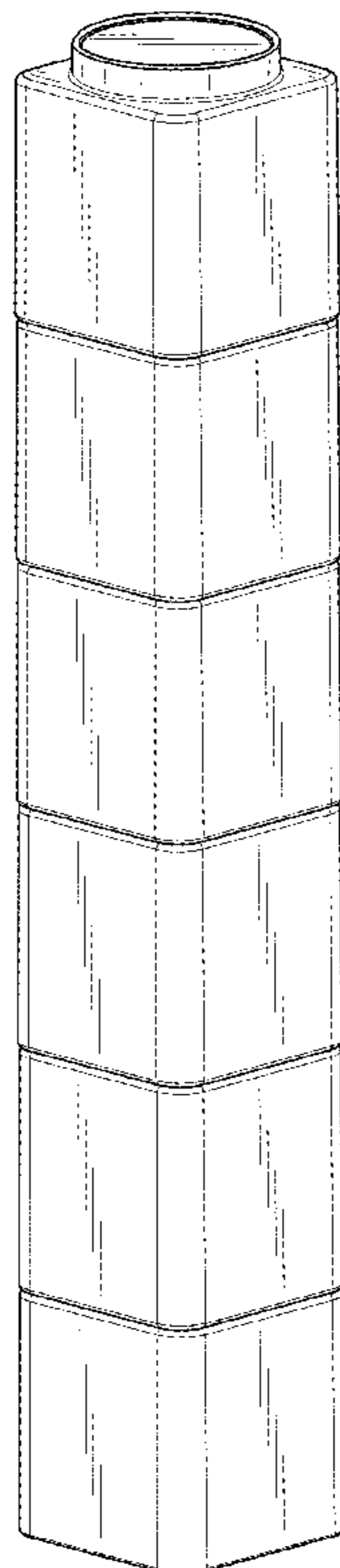
DESCRIPTION

FIG. 1 is a perspective view of a children toothbrush box, showing my design.
 FIG. 2 is a front elevation view of the children toothbrush box of FIG. 1, a rear elevation view of the children toothbrush box of FIG. 1 being symmetrical to the front elevation view of the children toothbrush box of FIG. 1, a left side elevation view and a right side elevation view of the children toothbrush box of FIG. 1 being the same as the front elevation view of the children toothbrush box of FIG. 1.
 FIG. 3 is a top plan view thereof.
 FIG. 4 is a bottom plan view thereof; and,
 FIG. 5 is a perspective view of the children toothbrush box of FIG. 1 wherein parts of the children toothbrush box are rotated.
 The broken lines in the drawings depict environmental structure and boundaries and form no part of the claimed design.

(56) **References Cited**
U.S. PATENT DOCUMENTS

- D257,418 S * 10/1980 Rosenthal D28/8.1
- D437,366 S * 2/2001 Stemmler D21/499

1 Claim, 4 Drawing Sheets



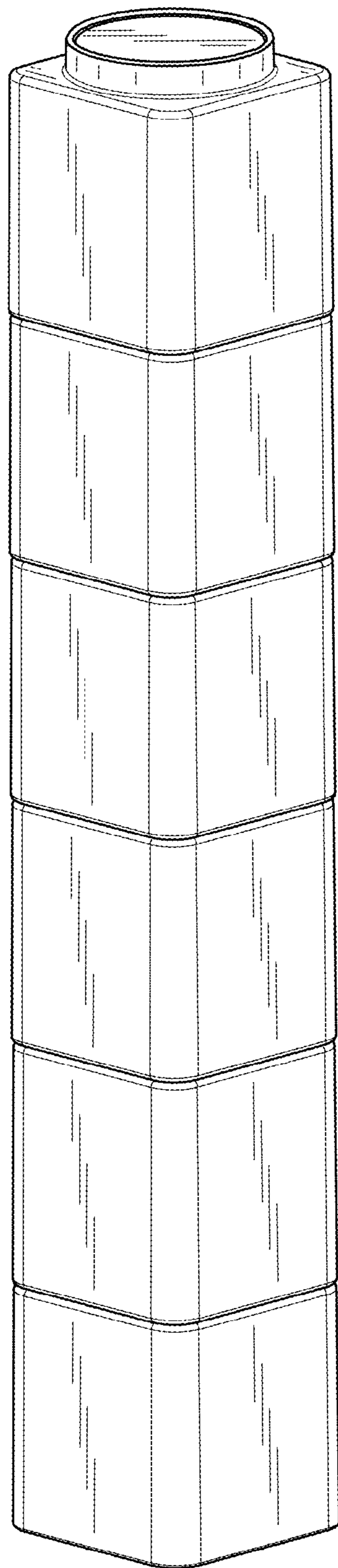


FIG.1

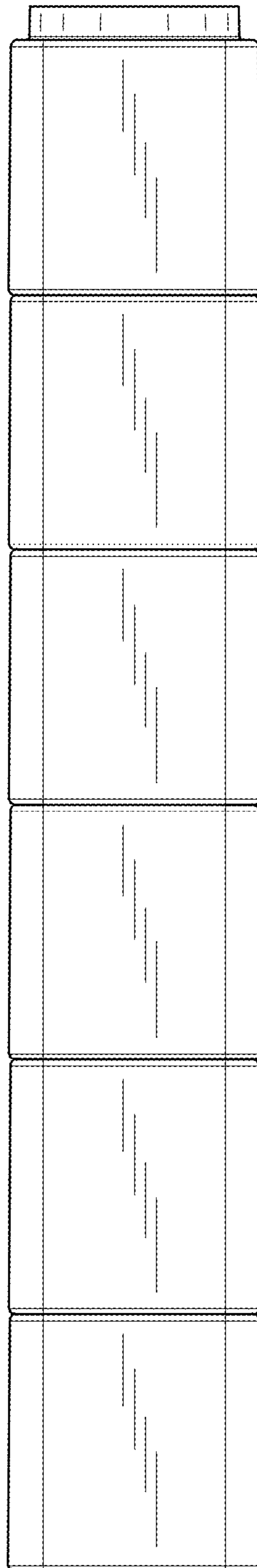


FIG.2

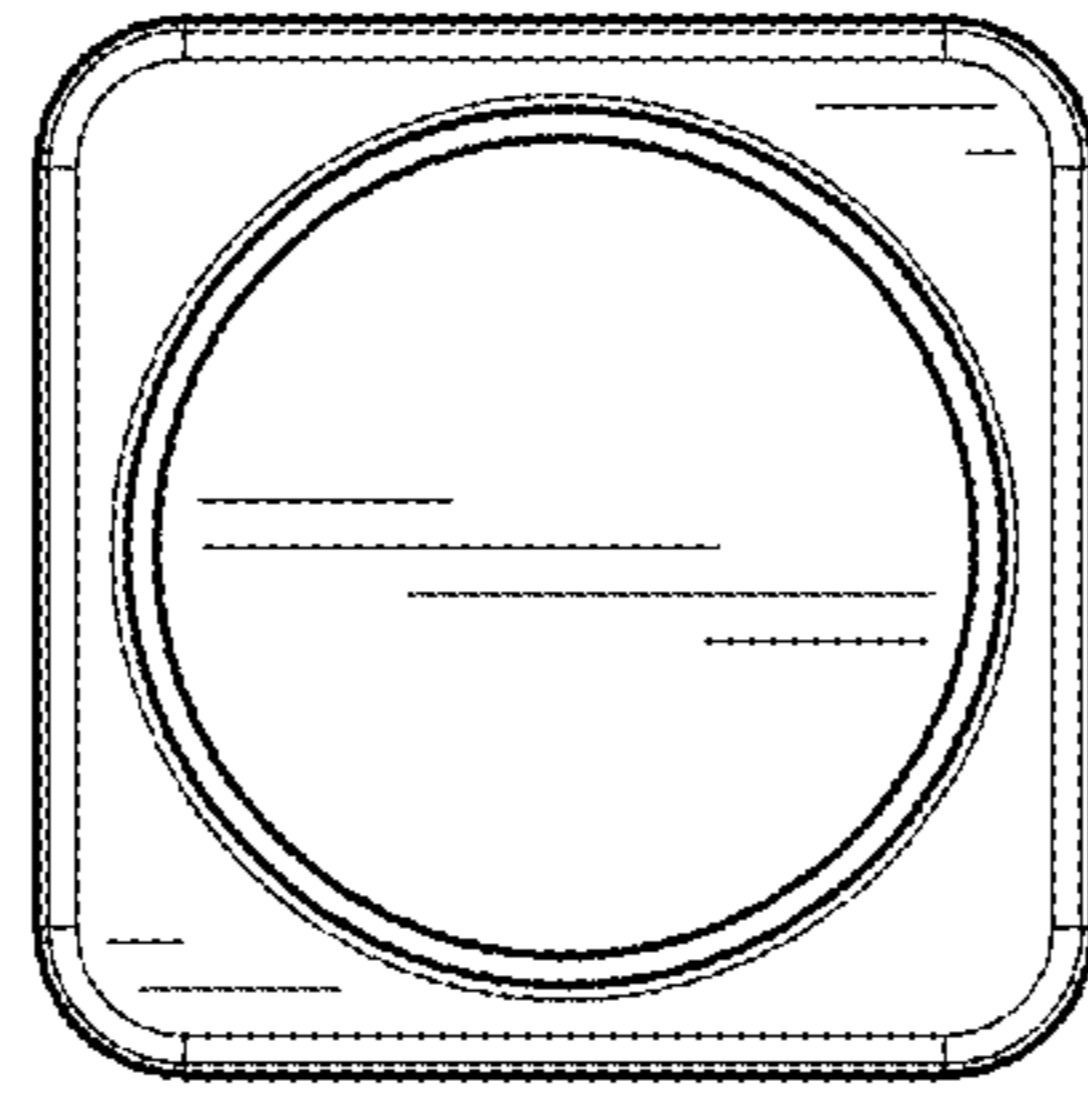


FIG.3

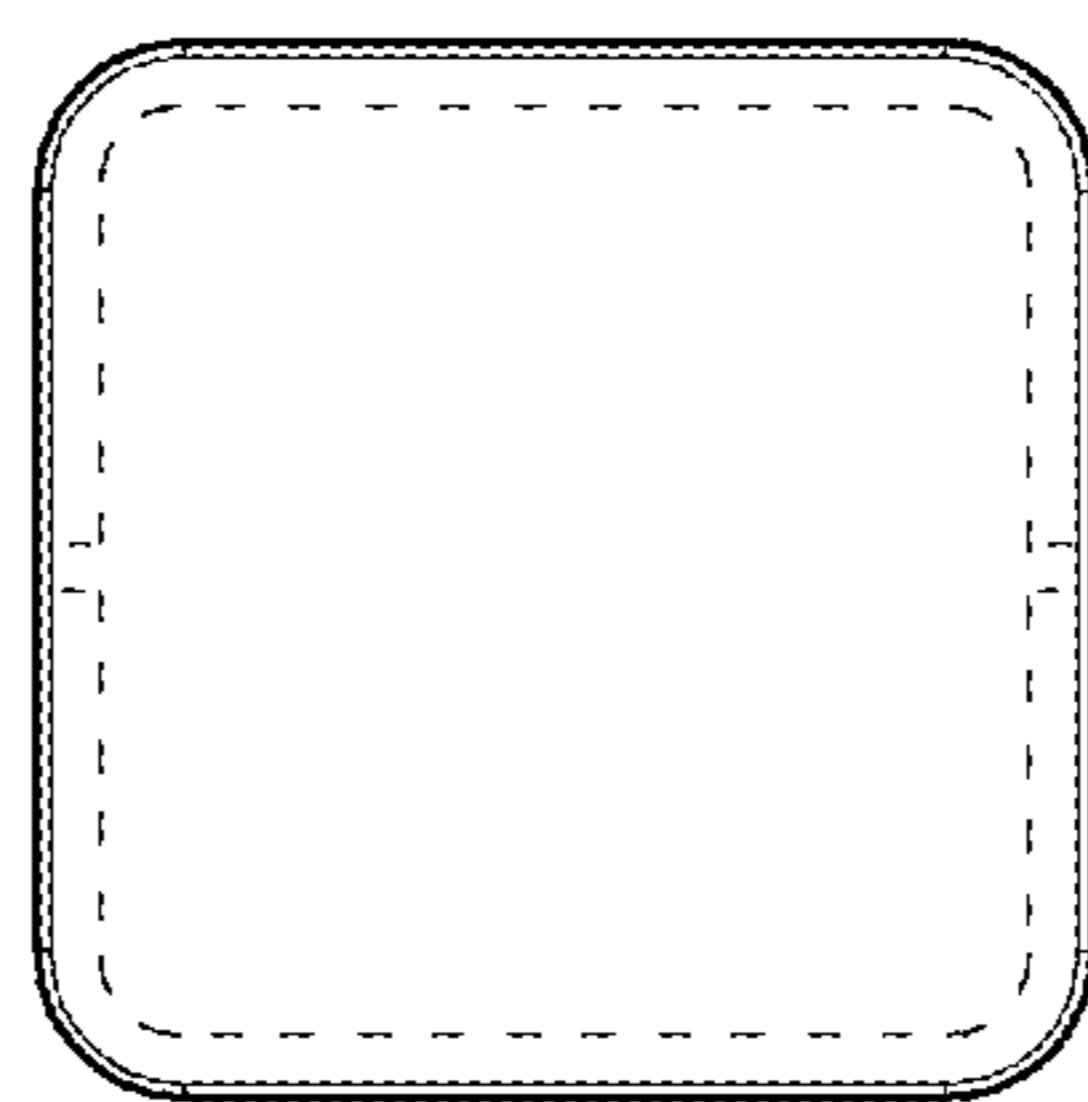


FIG.4

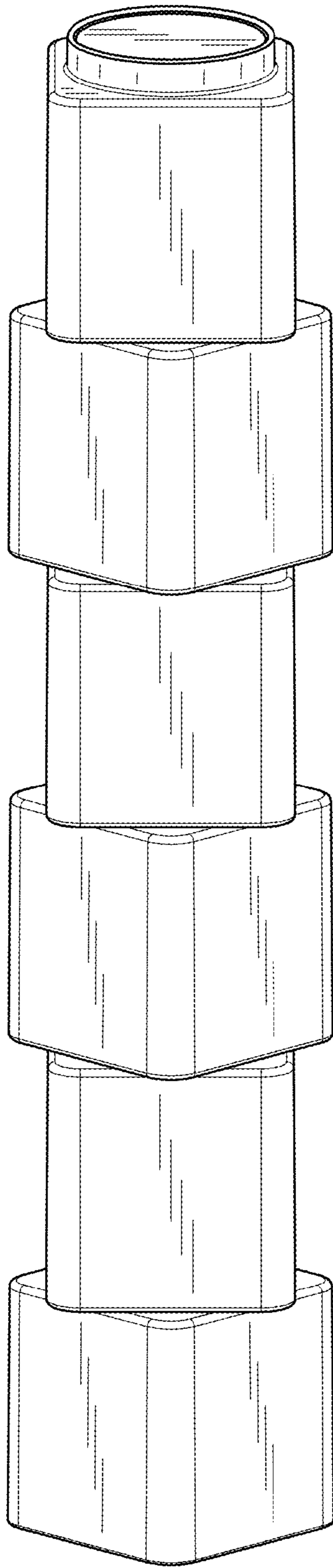


FIG.5