



US00D949550S

(12) **United States Design Patent** (10) **Patent No.:** **US D949,550 S**  
**Ramm et al.** (45) **Date of Patent:** **\*\* Apr. 26, 2022**

(54) **RAZOR CASE**

(71) Applicant: **The Gillette Company LLC**, Boston, MA (US)

(72) Inventors: **Christopher Ramm**, North Attleboro, MA (US); **Morgan Elizabeth Matt**, Boston, MA (US); **Andrew Anthony Szczepanowski**, North Attleboro, MA (US)

(73) Assignee: **The Gillette Company LLC**, Boston, MA (US)

(\*\*) Term: **15 Years**

(21) Appl. No.: **29/717,362**

(22) Filed: **Dec. 17, 2019**

(51) **LOC (13) Cl.** ..... **03-02**

(52) **U.S. Cl.**  
USPC ..... **D3/205**

(58) **Field of Classification Search**  
USPC ..... D3/232, 239, 245, 253, 265–266, 205, D3/206  
CPC ..... A45C 11/00; A45C 11/008; A45C 11/26; A45C 2011/007; A45D 27/22; A45D 27/28; A45D 27/29; A45D 27/48; A45D 27/225; A45D 44/18; B26B 21/40; B26B 19/3833

See application file for complete search history.

(56) **References Cited**

**U.S. PATENT DOCUMENTS**

D49,217 S *	6/1916	King	.....	D3/265
D313,175 S *	12/1990	Motta	.....	D9/721
D425,296 S *	5/2000	Shurtleff	.....	D3/201
D636,598 S *	4/2011	Tseng	.....	D3/294
8,342,322 B2 *	1/2013	De'Rennaux	.....	A45D 27/22
				206/204
D681,938 S *	5/2013	Pan	.....	D3/205
D712,144 S *	9/2014	Albanese	.....	D3/301
D731,178 S *	6/2015	Gorouvein	.....	D3/265

D810,431 S *	2/2018	Kim	.....	D3/266
D829,168 S *	9/2018	Masse	.....	D13/108
10,384,852 B2 *	8/2019	Marquette	.....	A45D 27/225

(Continued)

**OTHER PUBLICATIONS**

Chrome Clamshell Sunglass Case, [www.anysunglasses.com](http://www.anysunglasses.com), 1 page, downloaded Oct. 22, 2021 (Year: 2021).\*  
(Continued)

*Primary Examiner* — Jennifer Rivard

(74) *Attorney, Agent, or Firm* — Joanne Pappas; Kevin C. Johnson

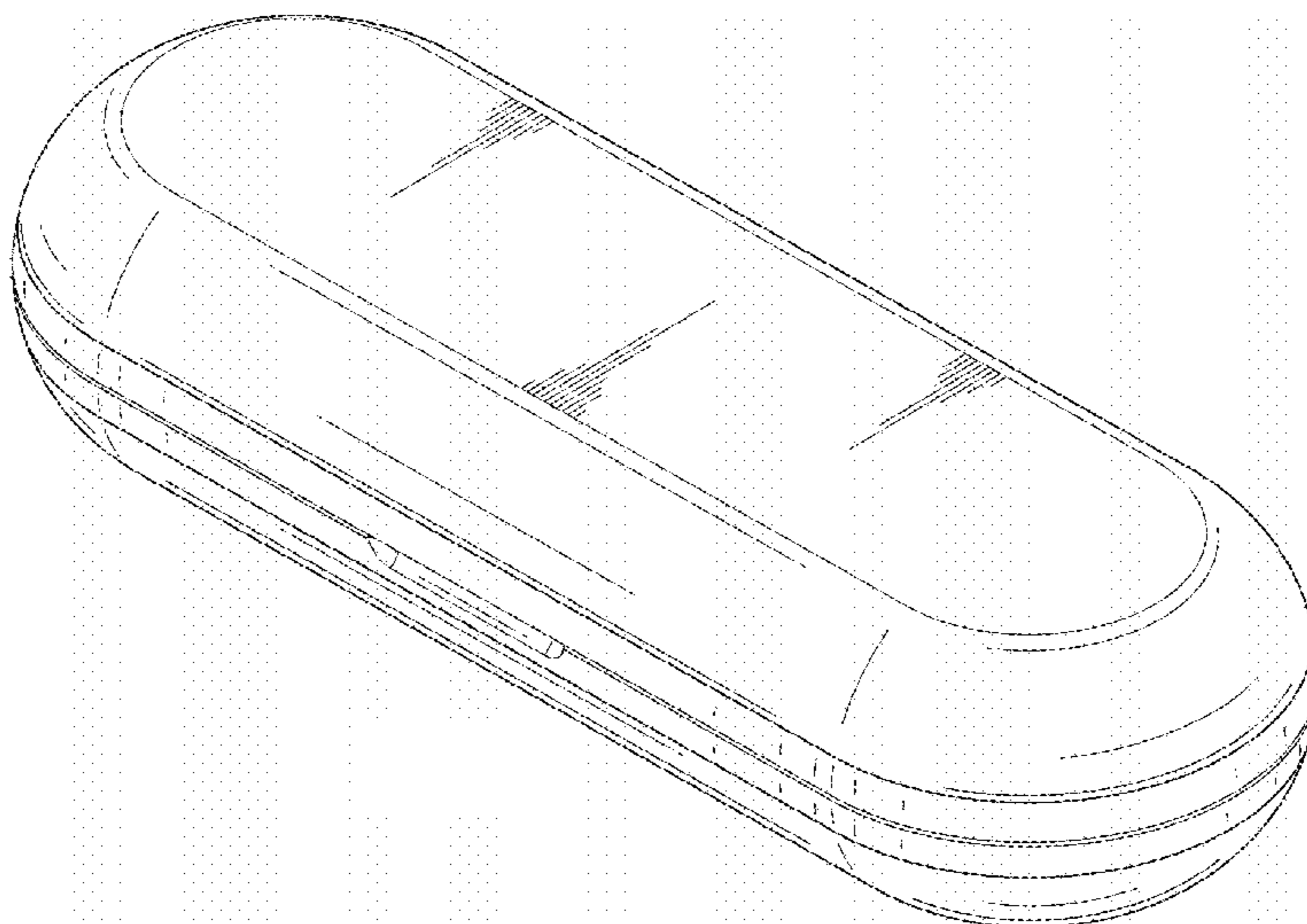
(57) **CLAIM**

The ornamental design for a razor case, as shown and described.

**DESCRIPTION**

FIG. 1 is a first perspective view of a design of a razor case of the present invention;  
FIG. 2 is a front view thereof;  
FIG. 3 is a back view thereof;  
FIG. 4 is a right side view thereof;  
FIG. 5 is a left side view thereof;  
FIG. 6 is a top view thereof;  
FIG. 7 is a bottom view thereof;  
FIG. 8 is second perspective view thereof;  
FIG. 9 is a first perspective view of a design of a second embodiment of a razor case of the present invention;  
FIG. 10 is a front view thereof;  
FIG. 11 is a back view thereof;  
FIG. 12 is a right side view thereof;  
FIG. 13 is a left side view thereof;  
FIG. 14 is a top view thereof;  
FIG. 15 is a bottom view thereof; and,  
FIG. 16 is a second perspective view thereof.  
The broken lines illustrate portions of the razor case and form no part of the claimed design.

**1 Claim, 14 Drawing Sheets**



(56)

**References Cited**

U.S. PATENT DOCUMENTS

D872,412 S \* 1/2020 Mullins ..... D99/1  
D881,810 S \* 4/2020 Zhang ..... D13/108  
D895,268 S \* 9/2020 Goeder ..... D3/205  
D895,960 S \* 9/2020 Goeder ..... D3/205  
D909,746 S \* 2/2021 Albay ..... D3/205  
2005/0218033 A1\* 10/2005 Curtis ..... A45D 27/22  
206/581  
2007/0007155 A1\* 1/2007 Foster ..... A45D 27/225  
206/351  
2015/0059197 A1\* 3/2015 Sassano ..... A45D 27/48  
34/80  
2021/0259384 A1\* 8/2021 McGarry ..... A45D 27/22  
2021/0282527 A1\* 9/2021 Horner ..... A45D 27/22

OTHER PUBLICATIONS

Gillette Heated Razor Deluxe Travel Kit, [www.amazon.com](http://www.amazon.com), 1 page, reviewed as early as Dec. 2019 (Year: 2019).\*

\* cited by examiner

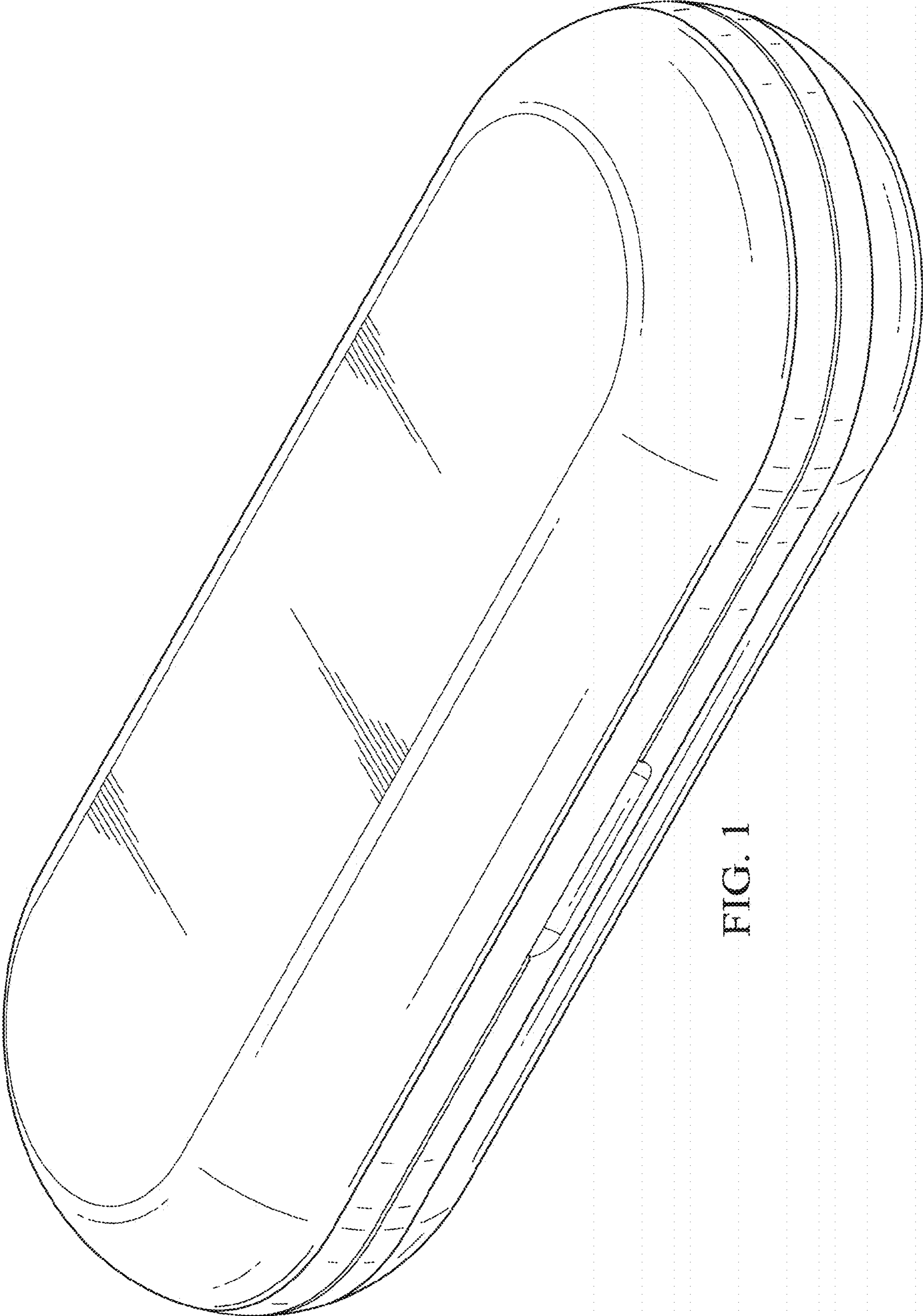


FIG. 1



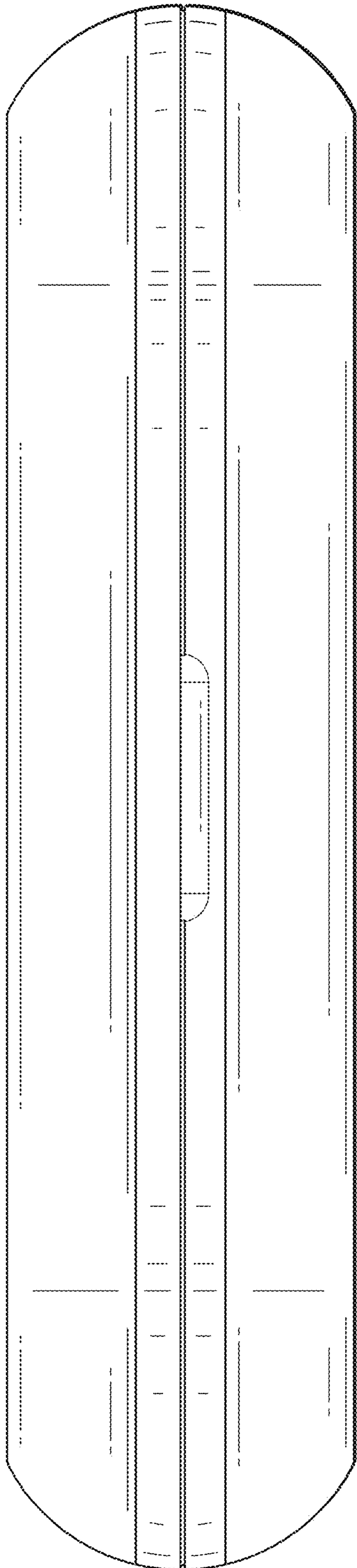


FIG. 2

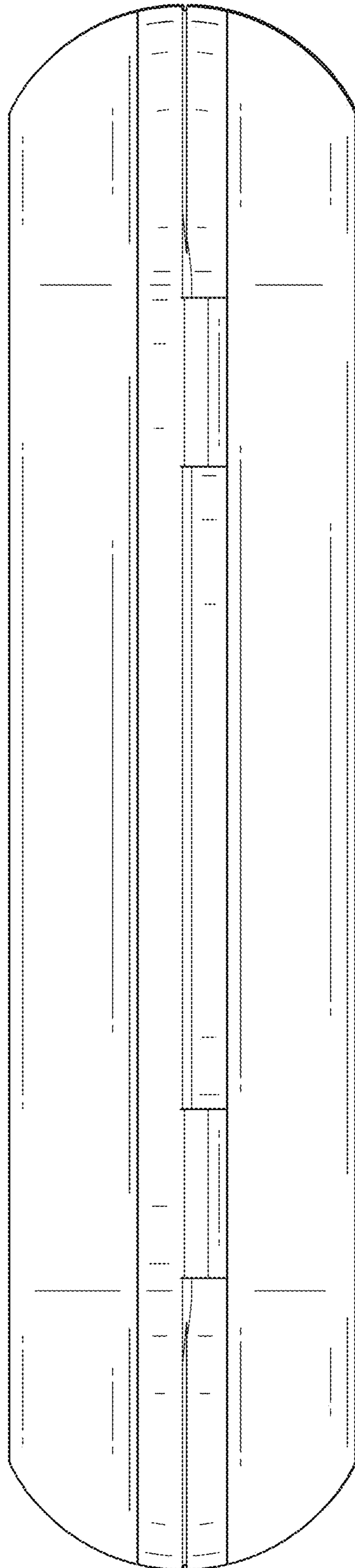


FIG. 3

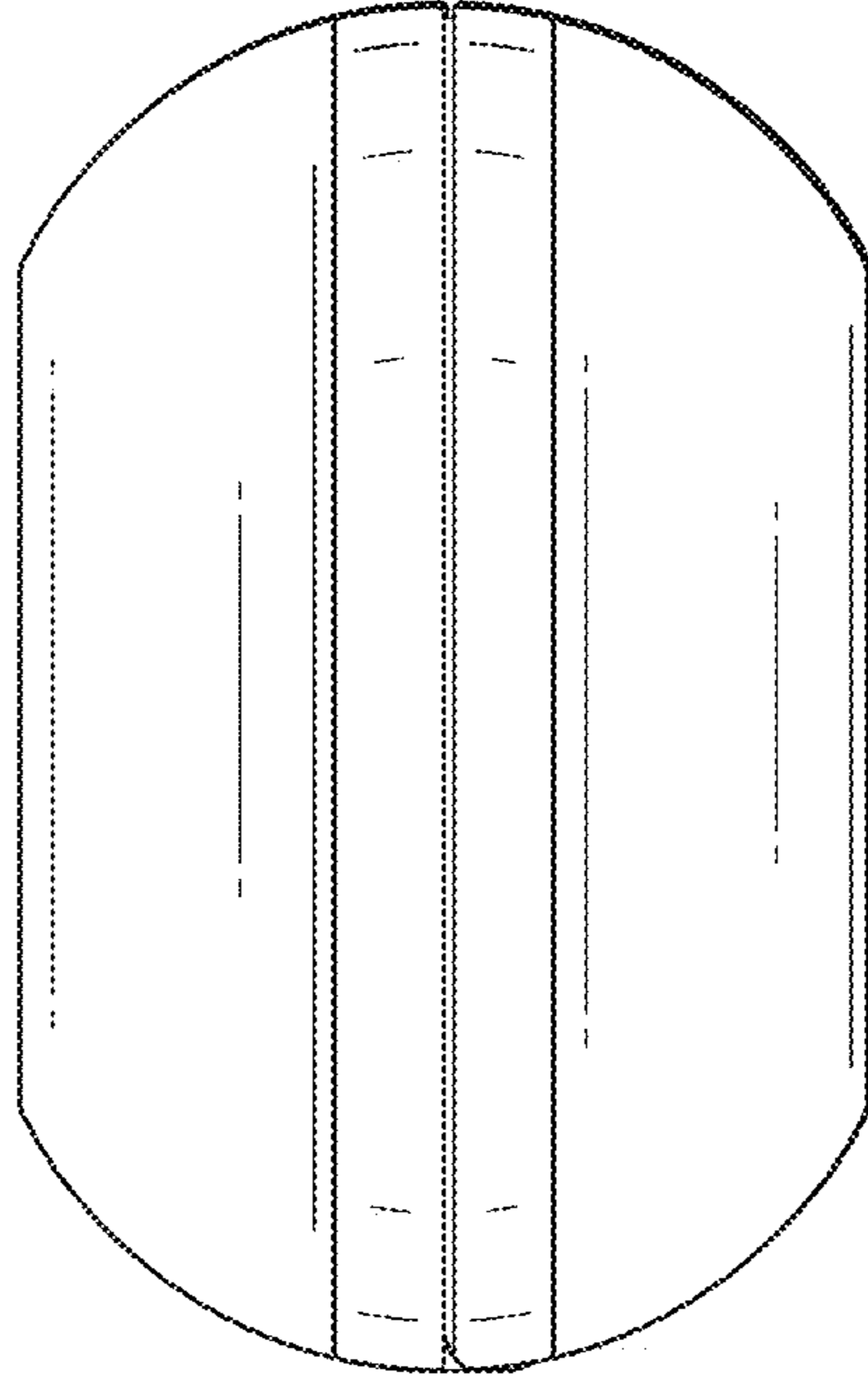


FIG.4

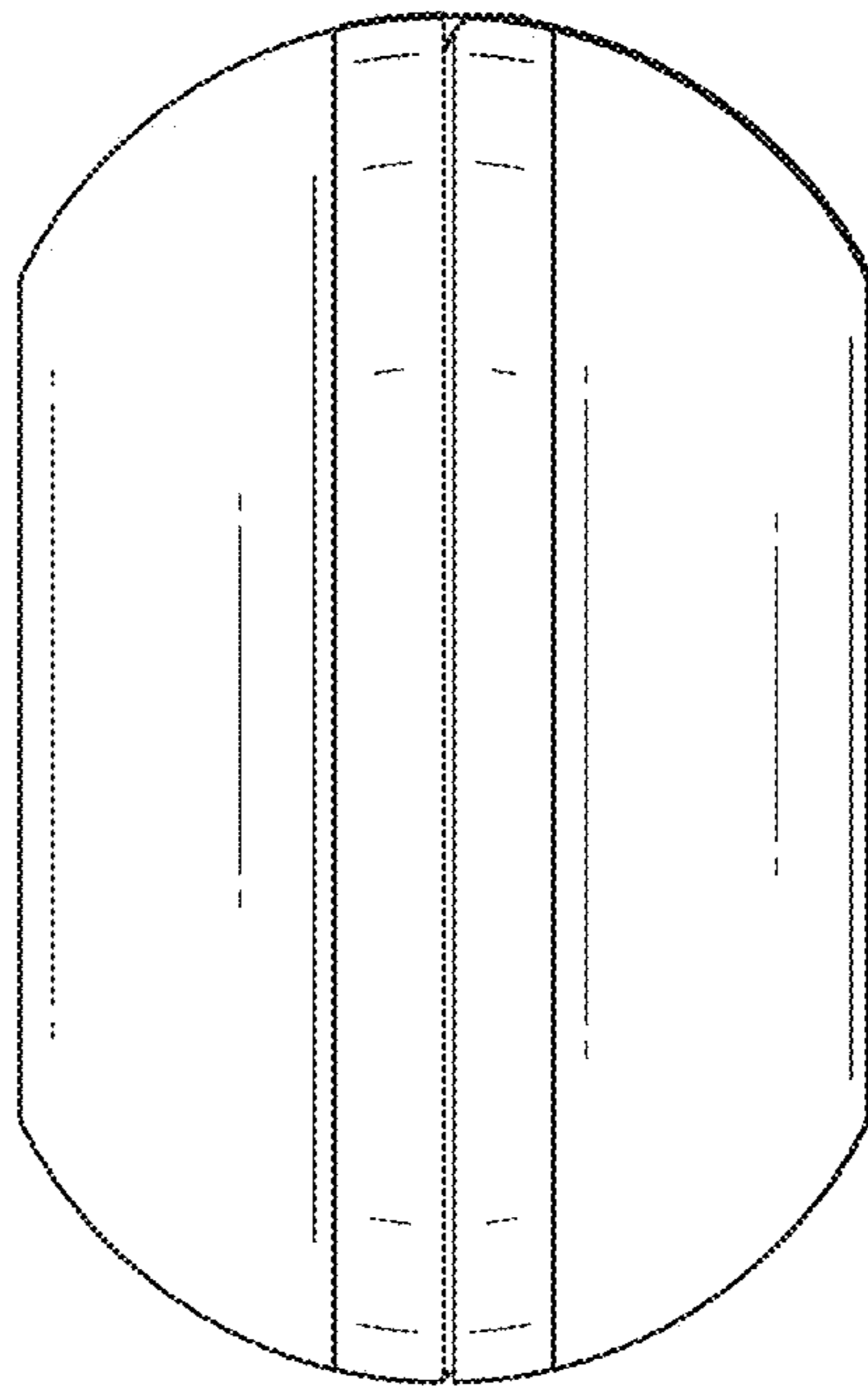


FIG. 5

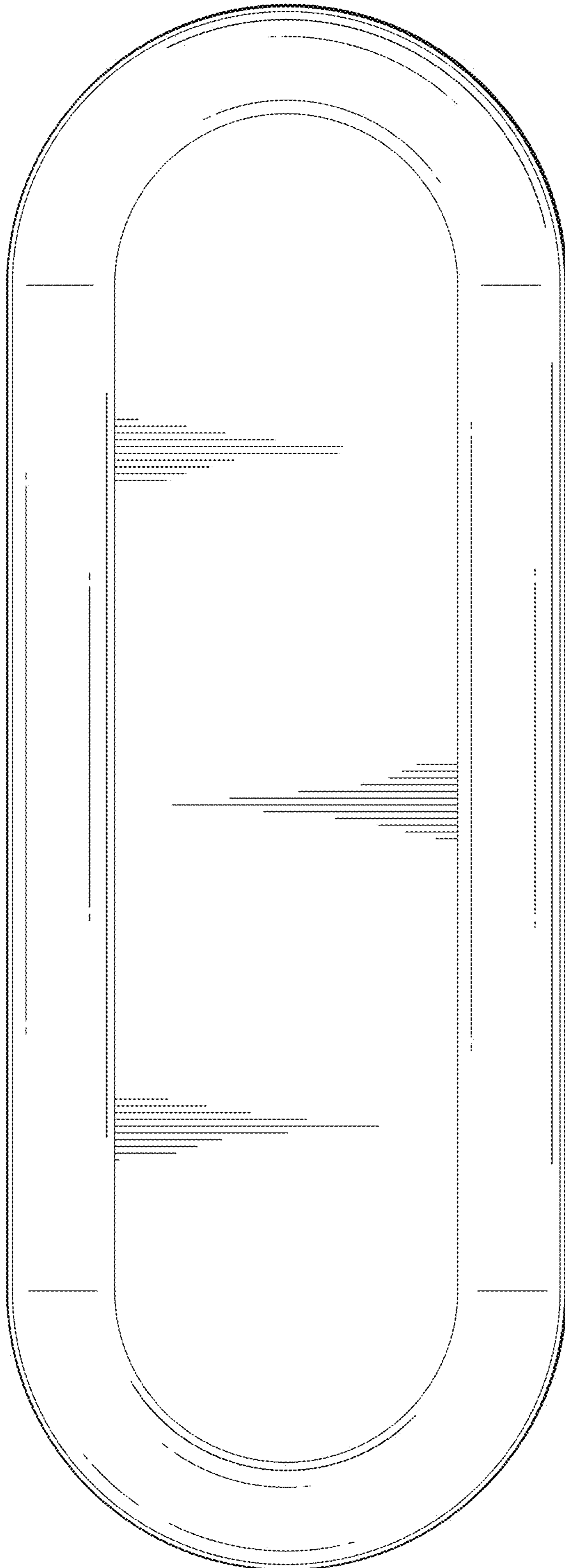


FIG. 6

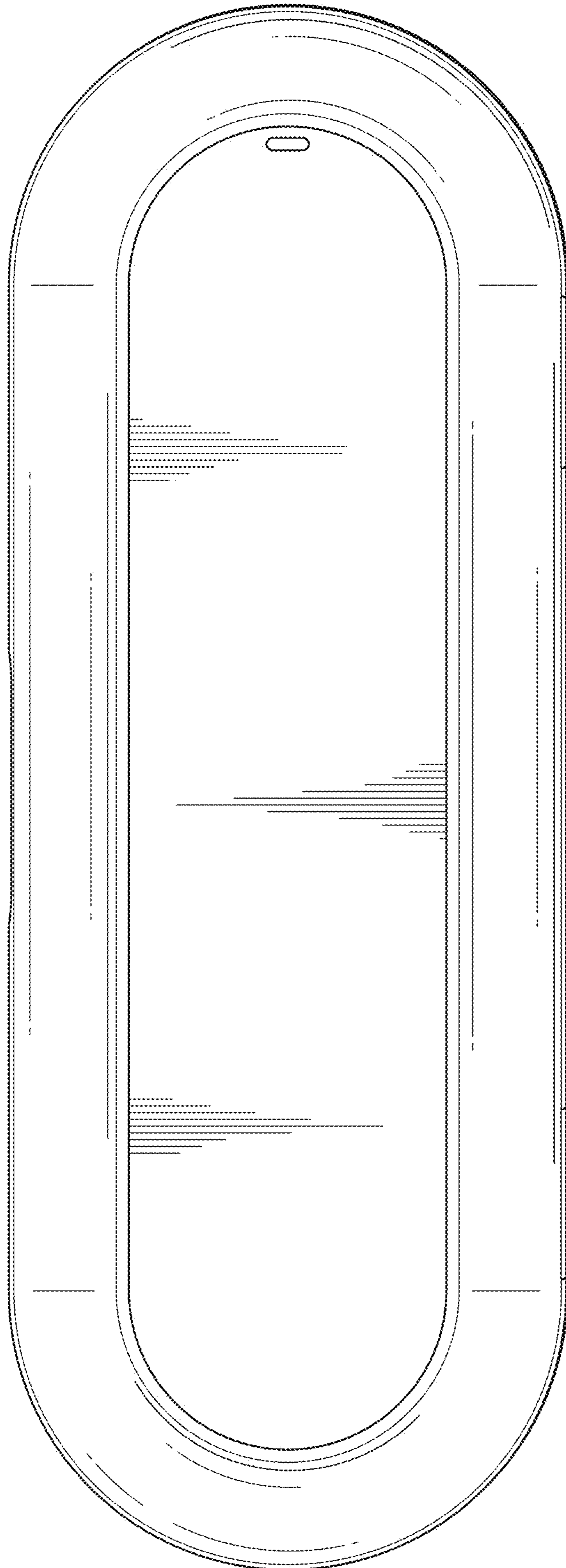


FIG. 7

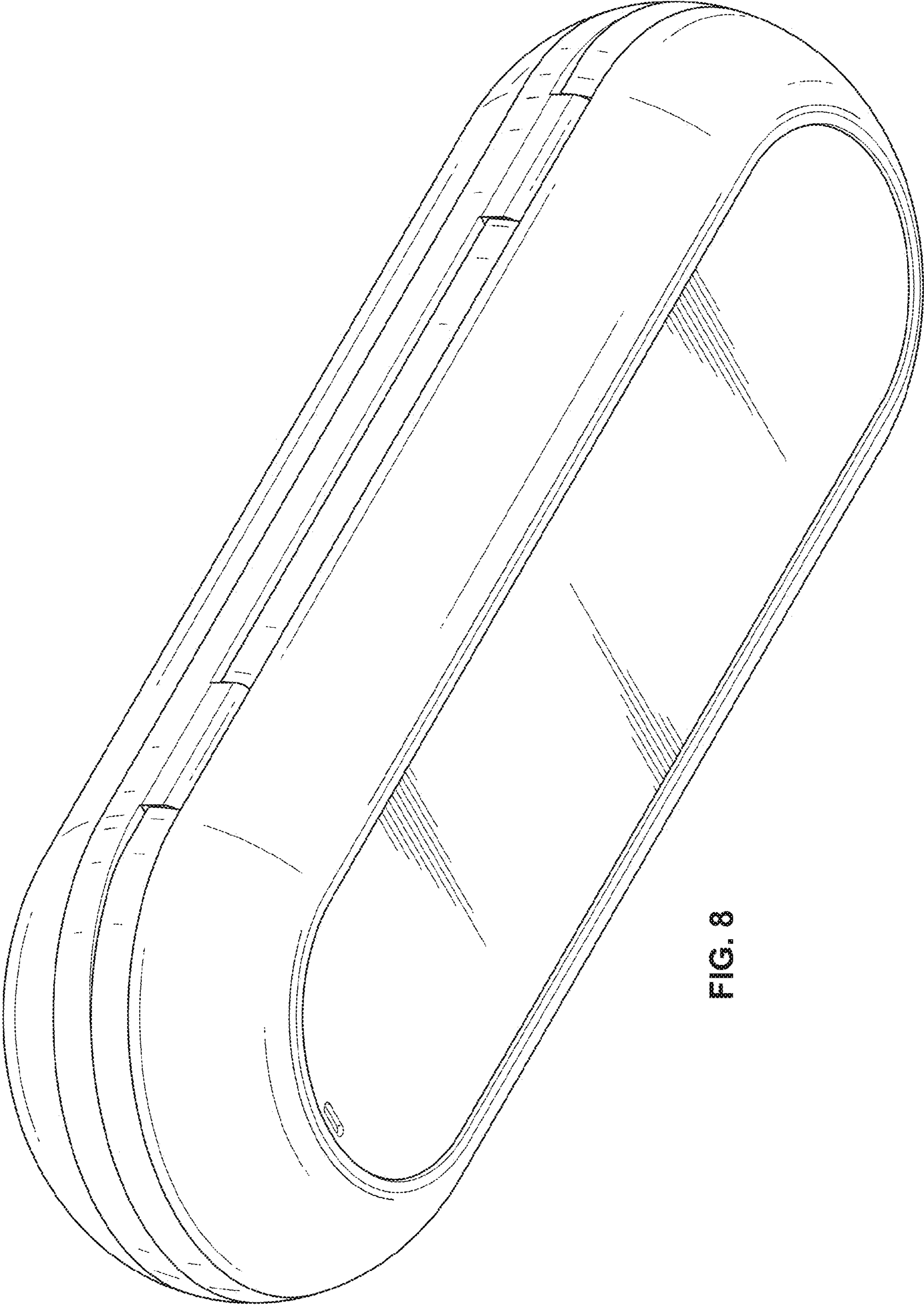


FIG. 8



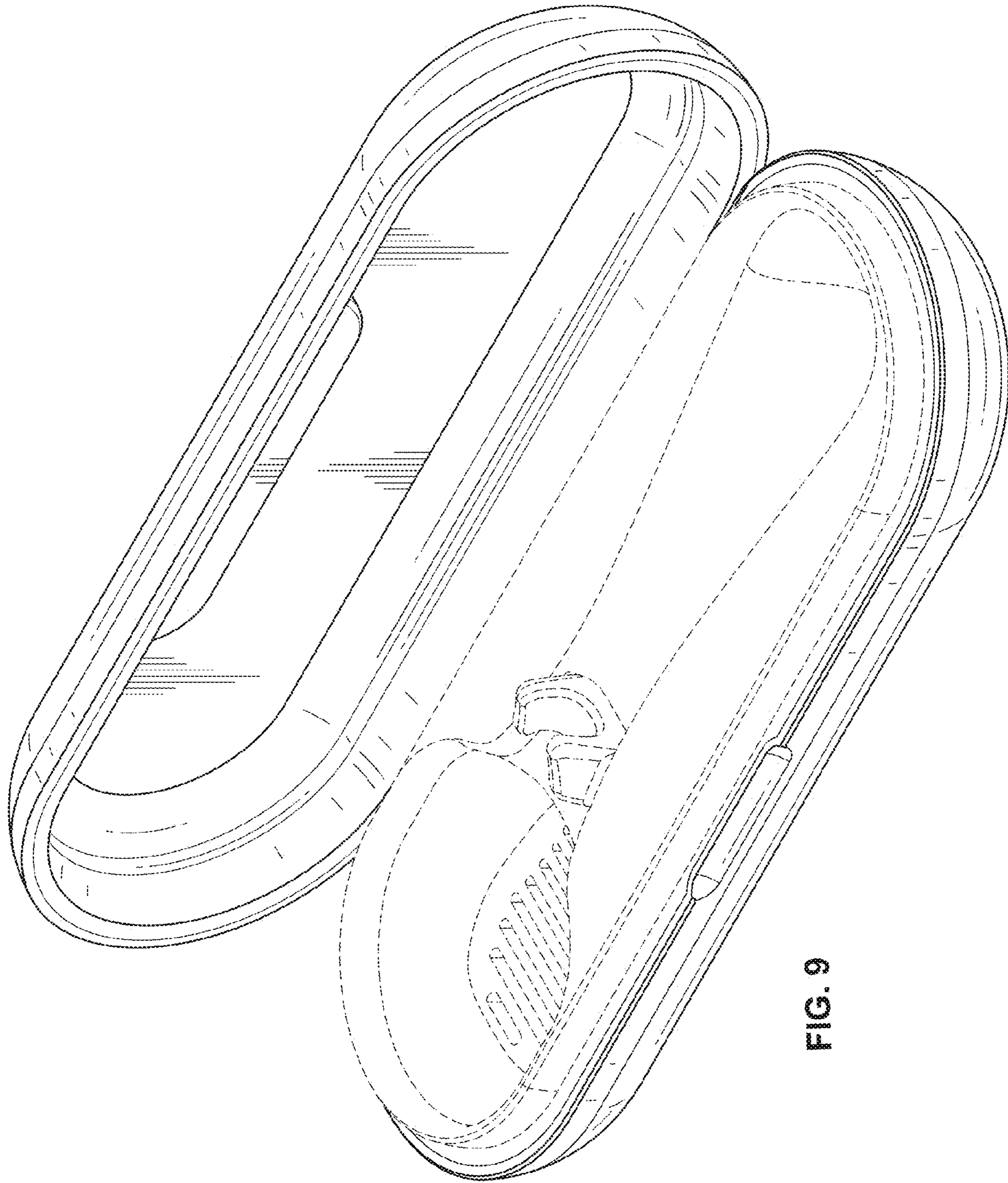


FIG. 9

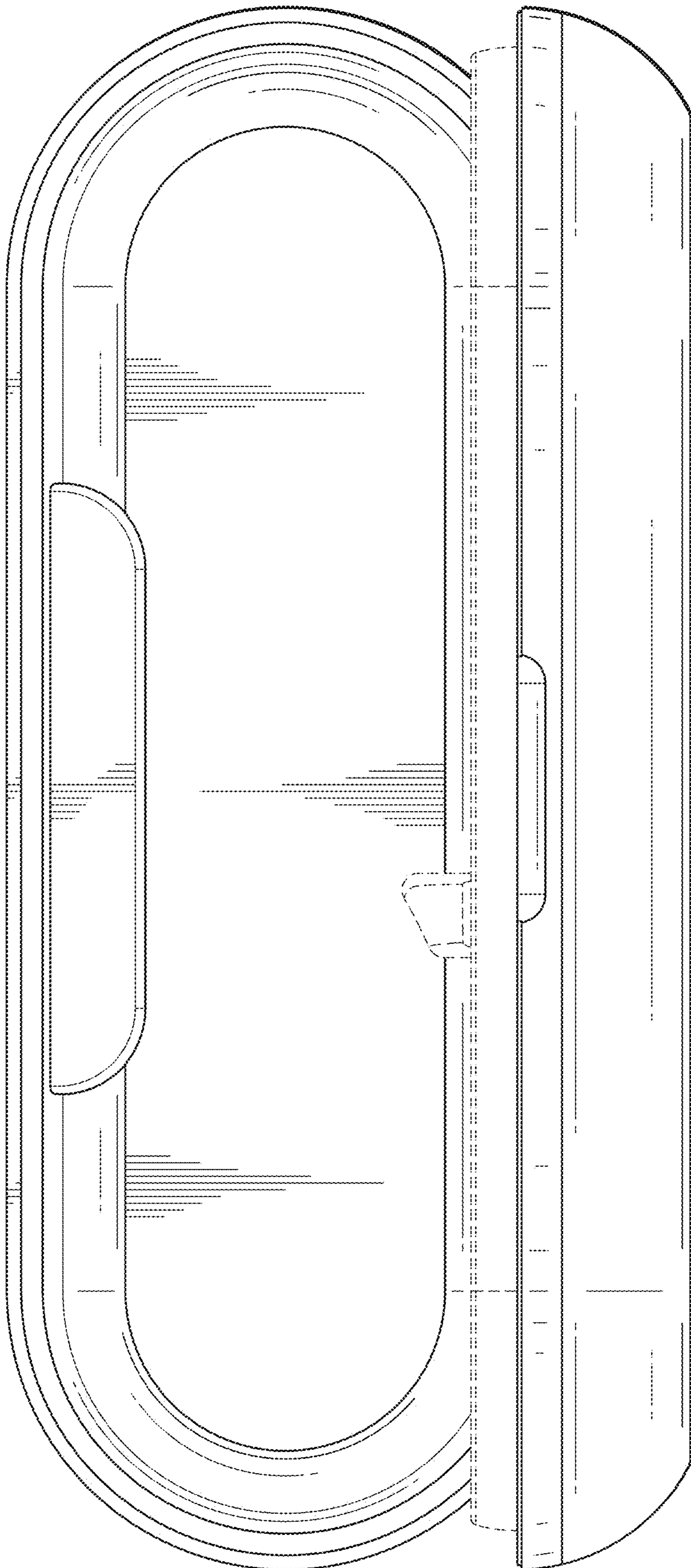


FIG. 10

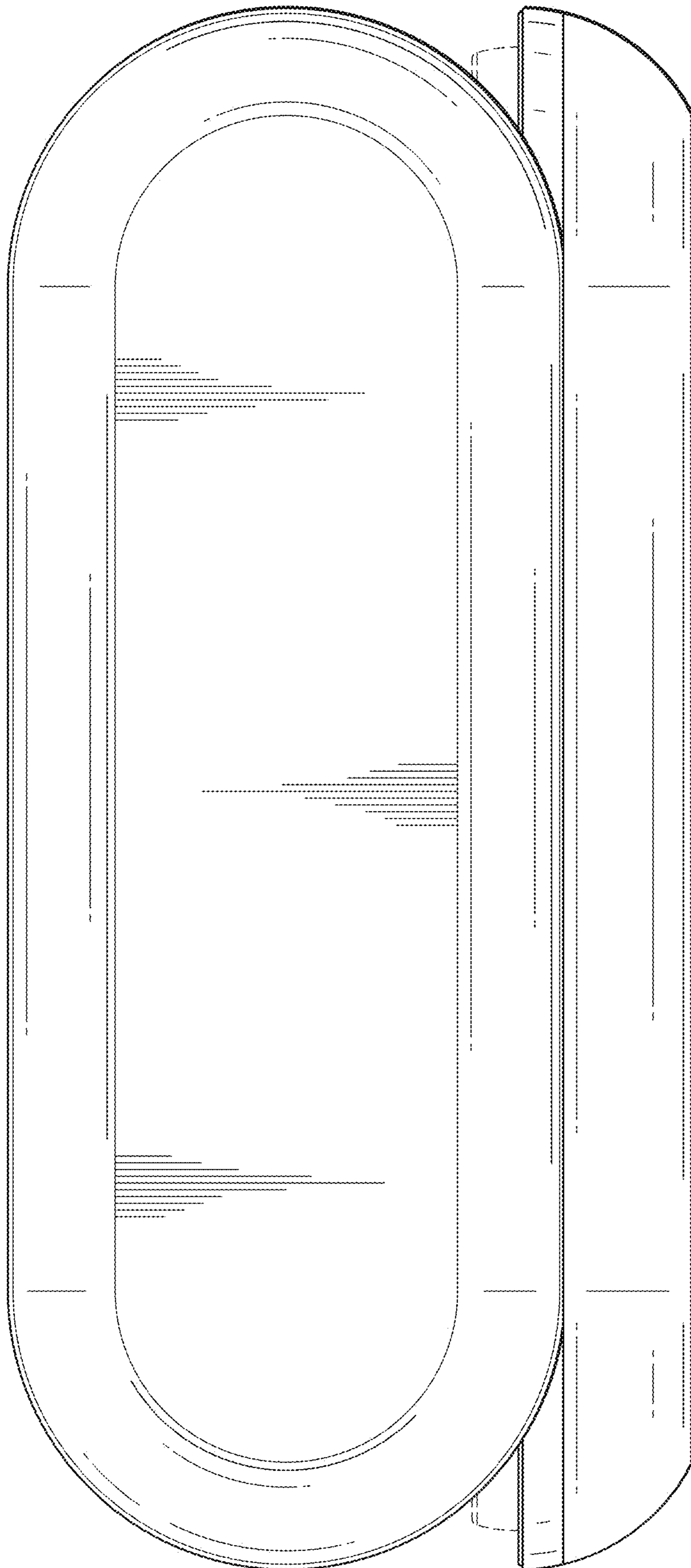


FIG. 11

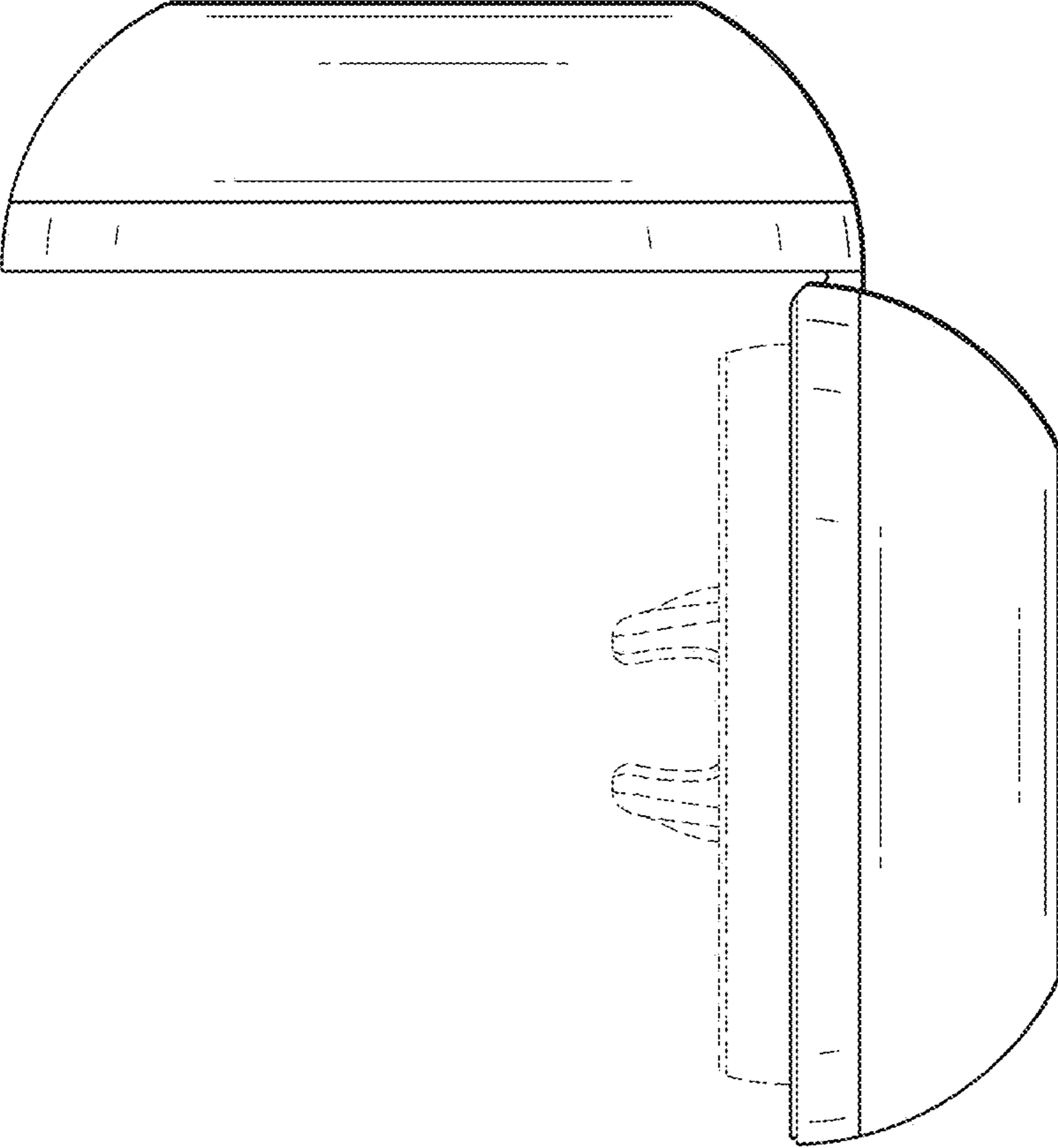


FIG. 12



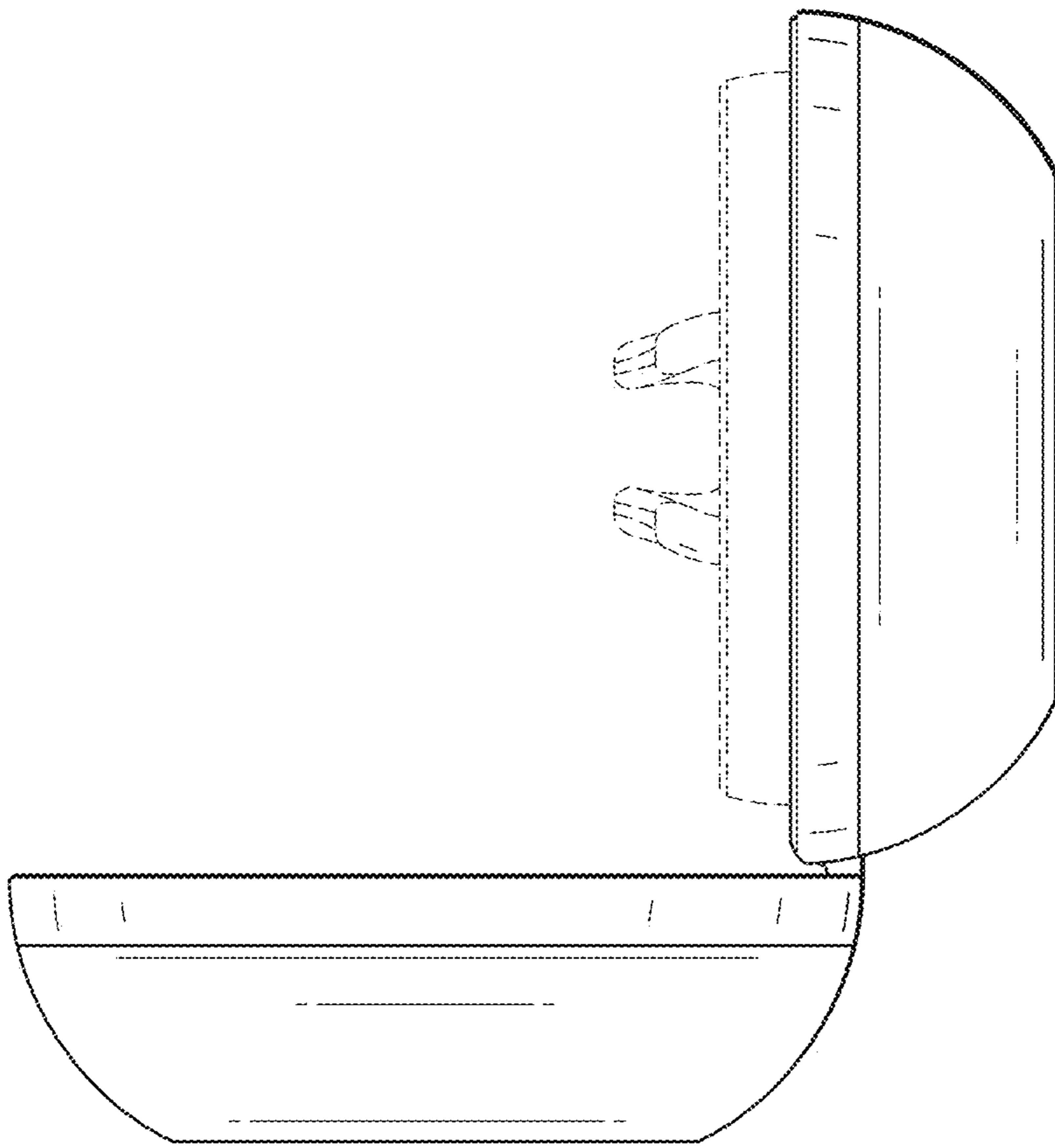


FIG. 13

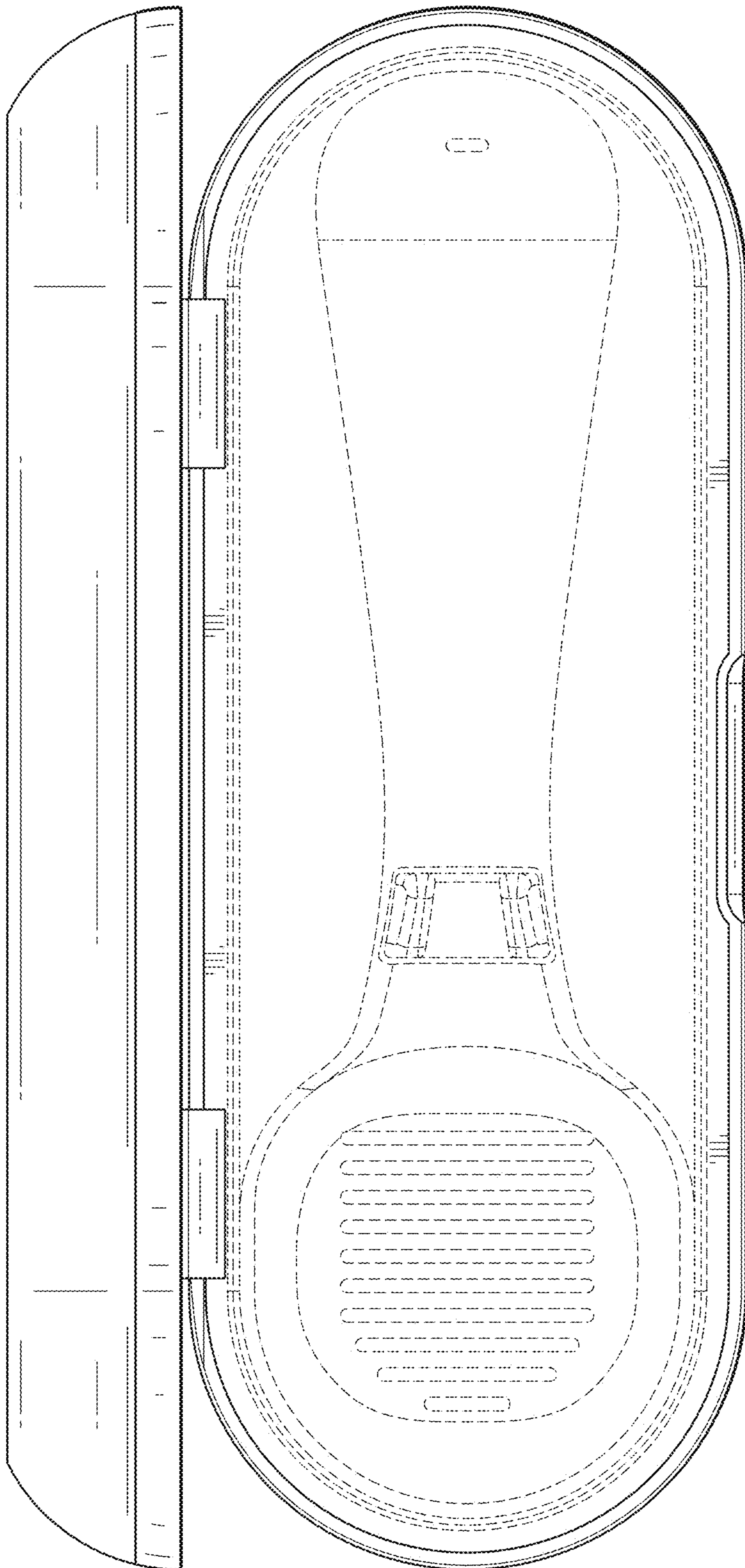


FIG. 14

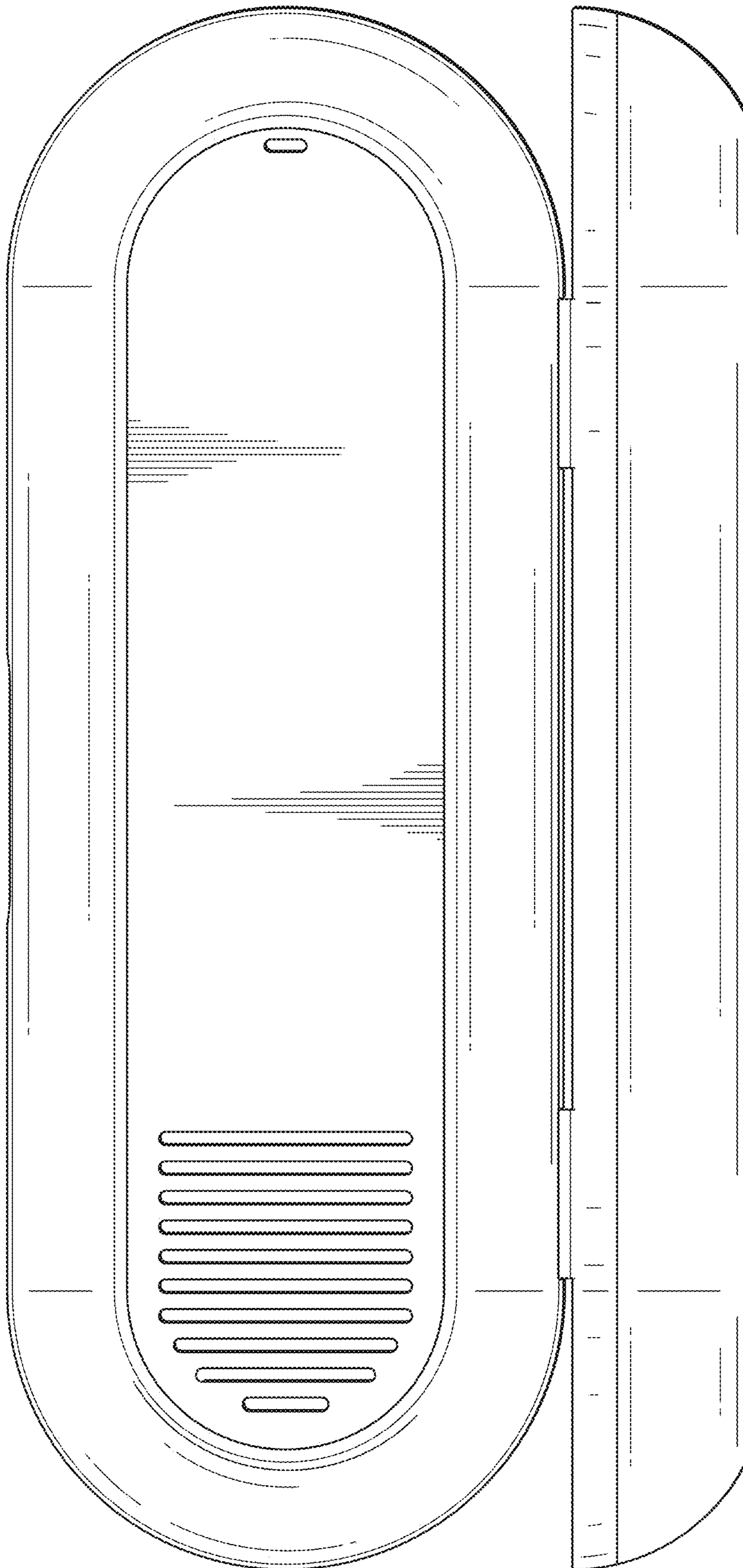


FIG. 15

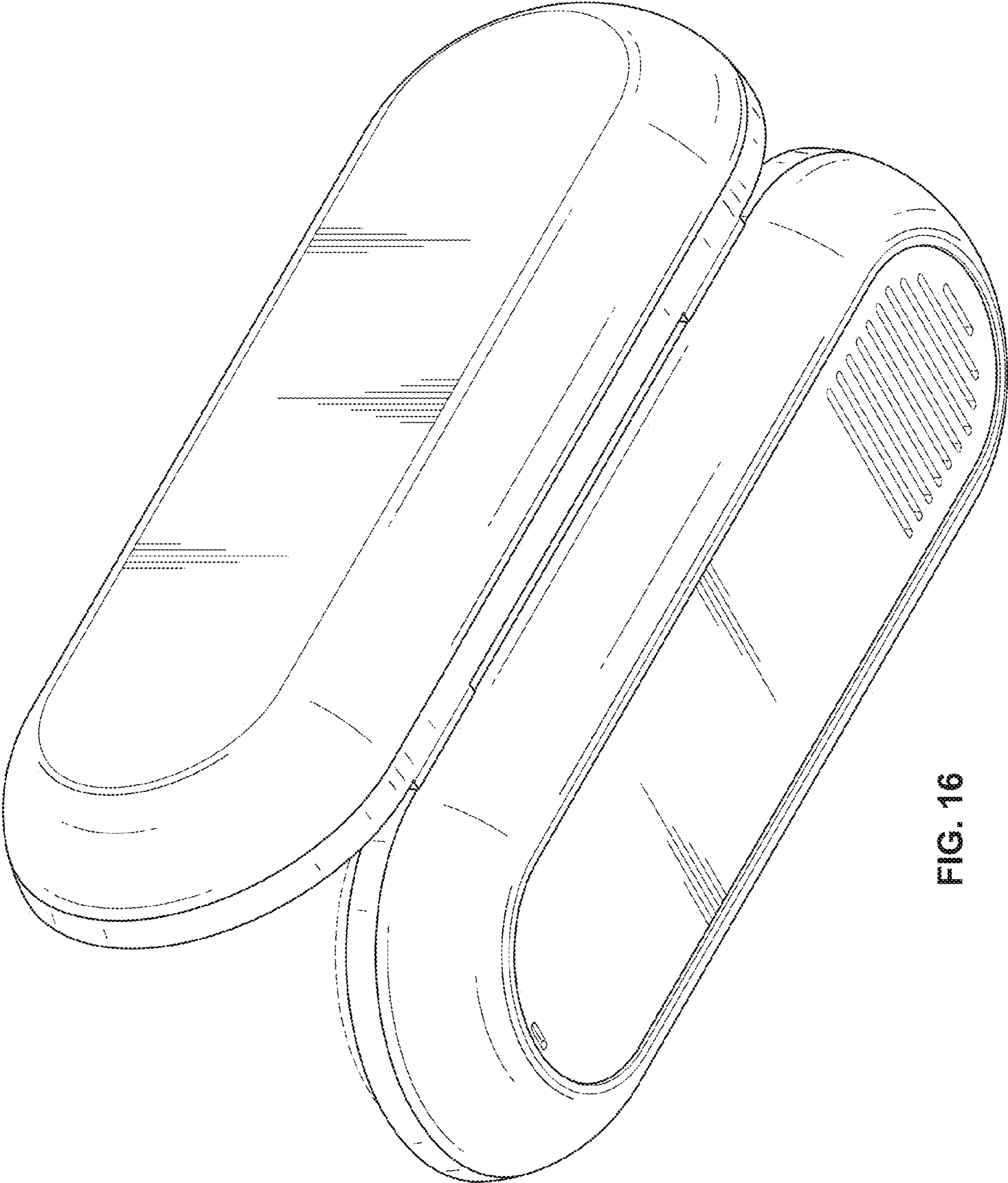


FIG. 16