



US00D949549S

(12) **United States Design Patent** (10) **Patent No.:** **US D949,549 S**
Wang (45) **Date of Patent:** **** Apr. 26, 2022**

(54) **CRANK HANDLE DEVICE OF SUN UMBRELLA**

(71) Applicant: **Linhai Guokang Leisure Products Co., Ltd., Zhejiang (CN)**

(72) Inventor: **Ziguo Wang, Zhejiang (CN)**

(73) Assignee: **Linhai Guokang Leisure Products Co., Ltd.**

(**) Term: **15 Years**

(21) Appl. No.: **29/733,964**

(22) Filed: **May 7, 2020**

(51) **LOC (13) Cl.** **03-03**

(52) **U.S. Cl.**
USPC **D3/10; D3/12**

(58) **Field of Classification Search**
USPC D3/5-17; D8/303; D22/137-142
CPC A45B 3/02; A45B 3/04; A45B 9/02; A45B 11/00; A45B 15/00; A45B 17/00; A45B 19/00; A45B 19/04; A45B 19/08; A45B 19/10; A45B 21/00; A45B 2200/1081; A45B 23/00; A45B 2023/0012; A45B 2023/005; A45B 2023/0037; A45B 2023/0043; A45B 2023/0056; A45B 2023/0068; A45B 2023/0075; A45B 25/00; A45B 25/02; A45B 25/06; A45B 25/08; A45B 25/10; A45B 25/14; A45B 25/18; A45B 25/20; A45B 25/22; A45B 25/143; A45B 2025/003

See application file for complete search history.

(56) **References Cited**

U.S. PATENT DOCUMENTS

D602,686 S * 10/2009 Patzak D3/10
9,220,325 B2 * 12/2015 Ma A45B 23/00

D815,828 S * 4/2018 Wang D3/12
D851,390 S * 6/2019 Wang D3/12
D886,444 S * 6/2020 Tellings D3/12
11,206,903 B2 * 12/2021 Ma A45B 17/00
2020/0288828 A1 * 9/2020 Wang A45B 3/04
2021/0401134 A1 * 12/2021 Wang A45B 25/14

FOREIGN PATENT DOCUMENTS

EM 007955034-0002 * 8/2020

* cited by examiner

Primary Examiner — Jeffrey D Asch
Assistant Examiner — Caitlin A Laverty

(57) **CLAIM**

The ornamental design for a crank handle device of sun umbrella, as shown and described.

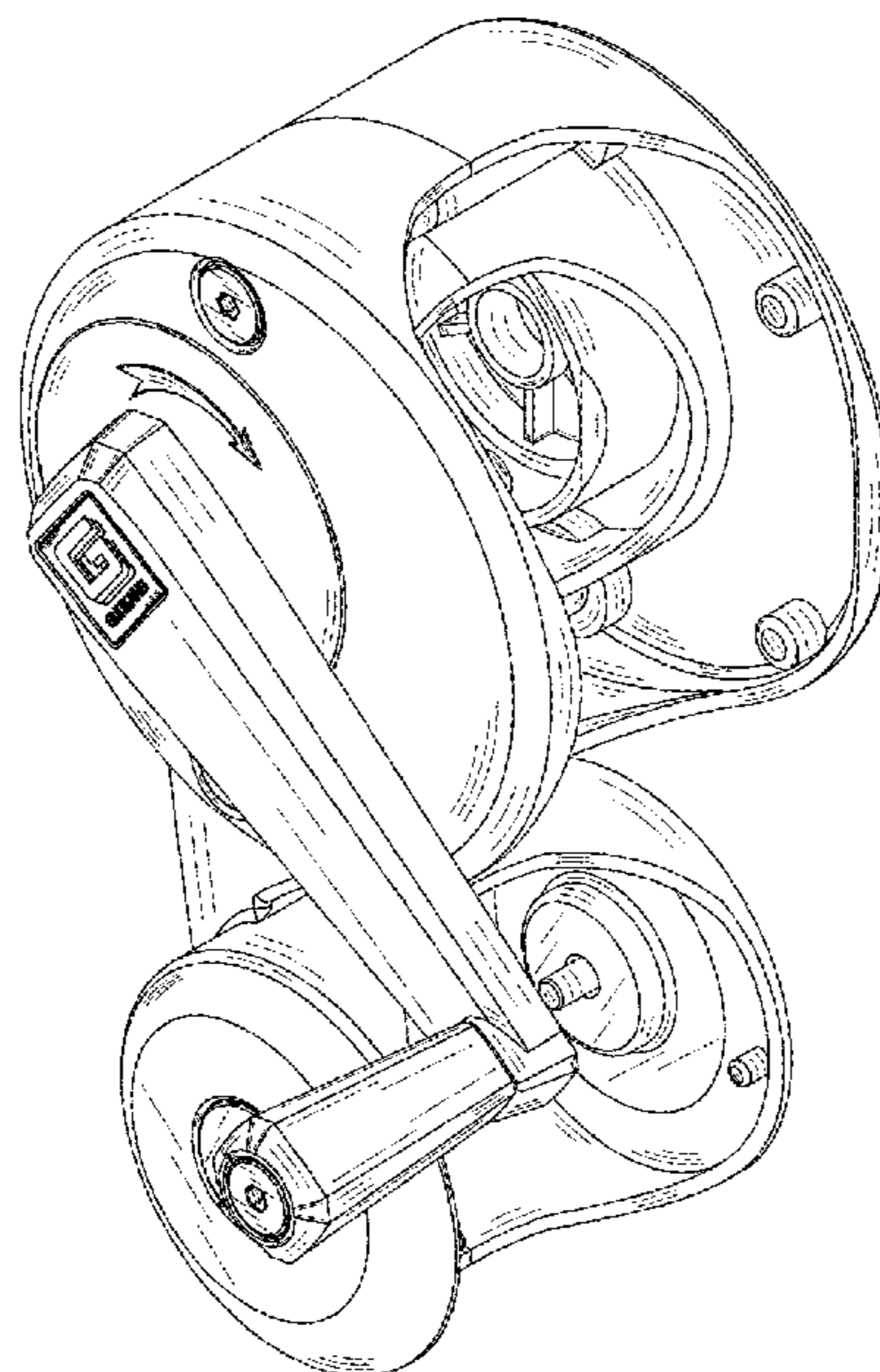
DESCRIPTION

FIG. 1 is a front view of the crank handle device of sun umbrella showing my new design;
FIG. 2 is a back view thereof;
FIG. 3 is a left side view thereof;
FIG. 4 is a right side view thereof;
FIG. 5 is a top view thereof;
FIG. 6 is a bottom view thereof;
FIG. 7 is a perspective view thereof; and,
FIG. 8 is another perspective view thereof.

The "G Guokang" logo(s) forming part of the disclosure is a registered trademark of Linhai Guokang Leisure Products Co., Ltd.

The broken lines in the drawing show portions of the crank handle device of sun umbrella and form no part of the claimed design.

1 Claim, 8 Drawing Sheets



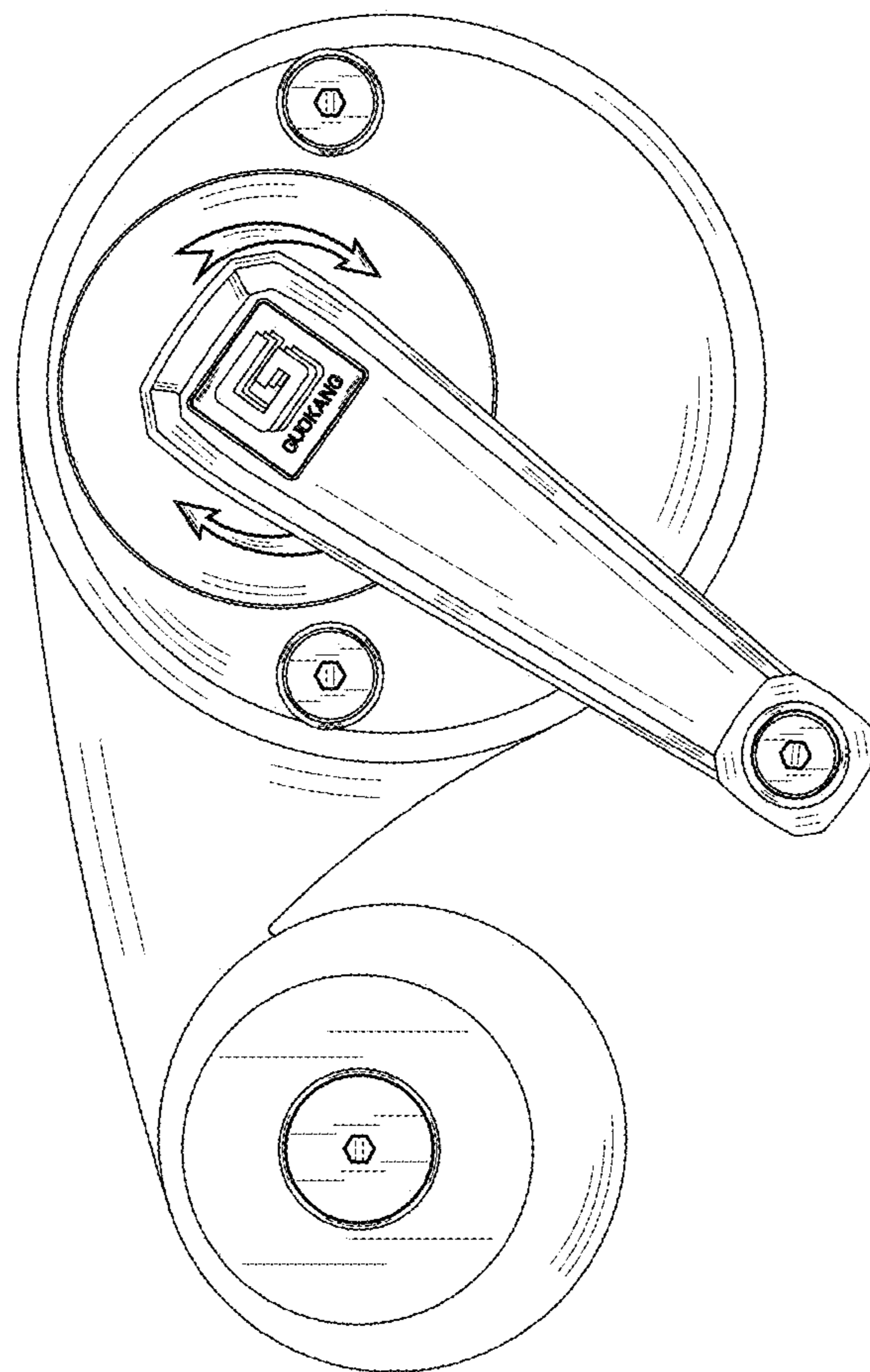


FIG. 1

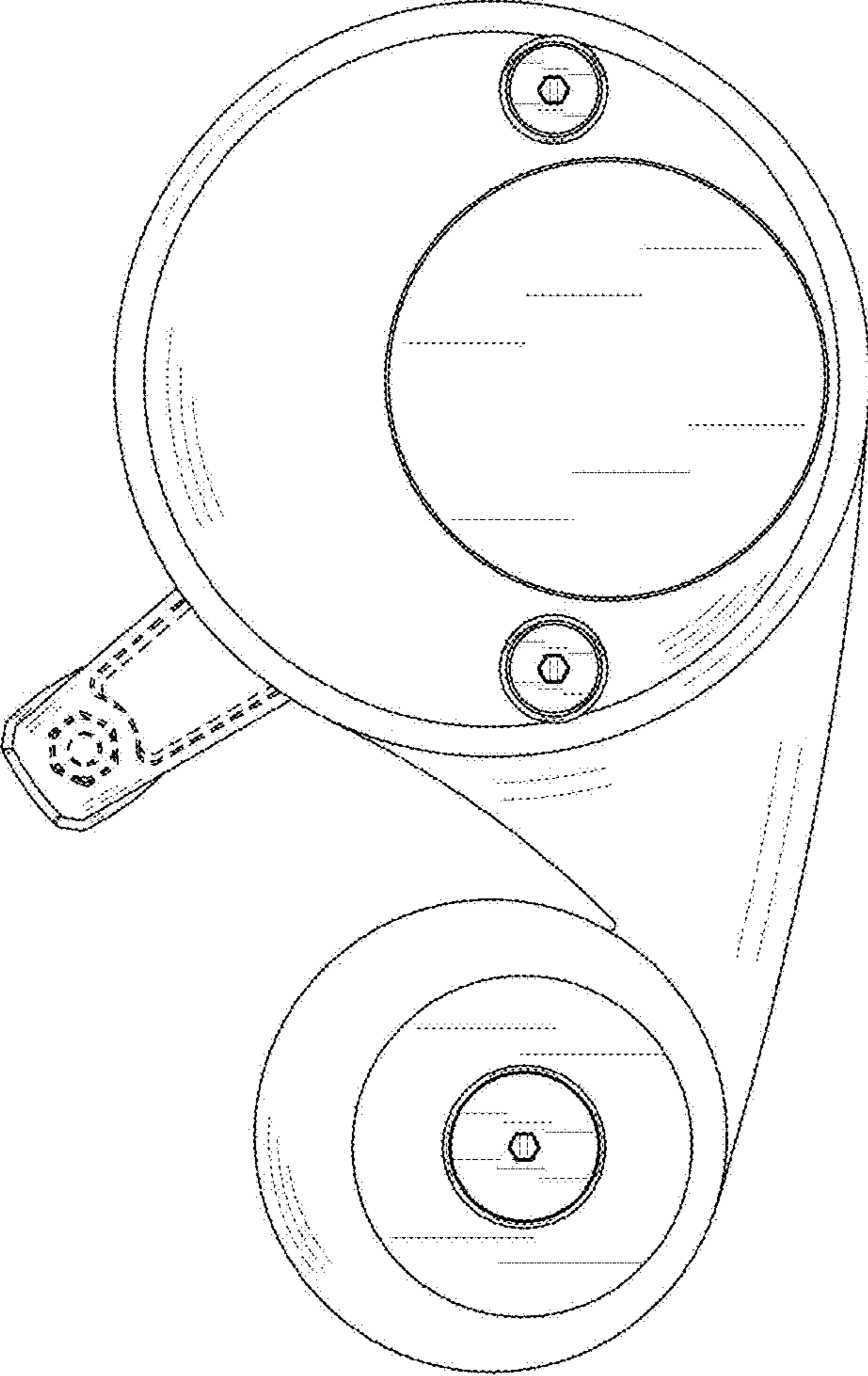


FIG. 2

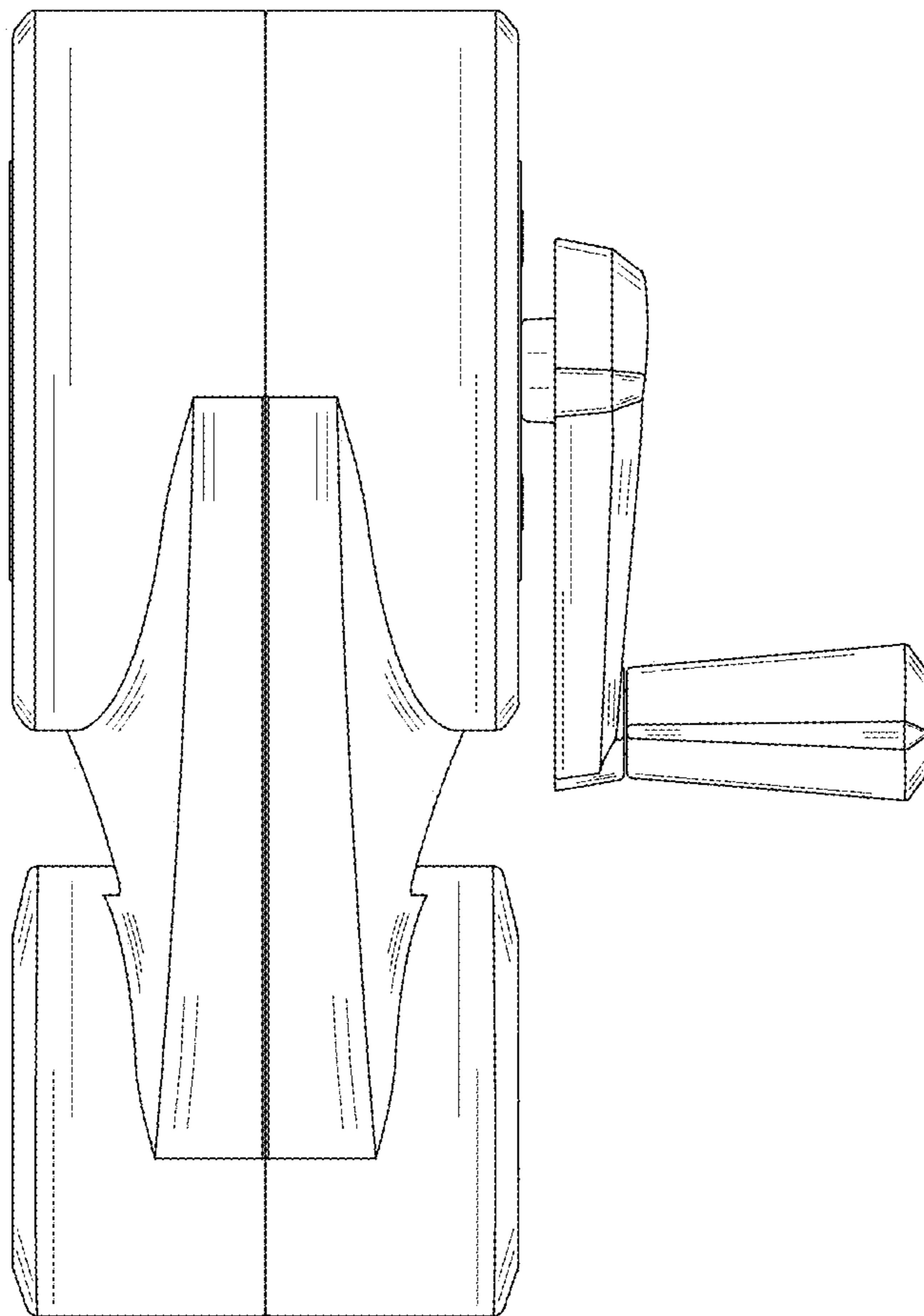


FIG. 3

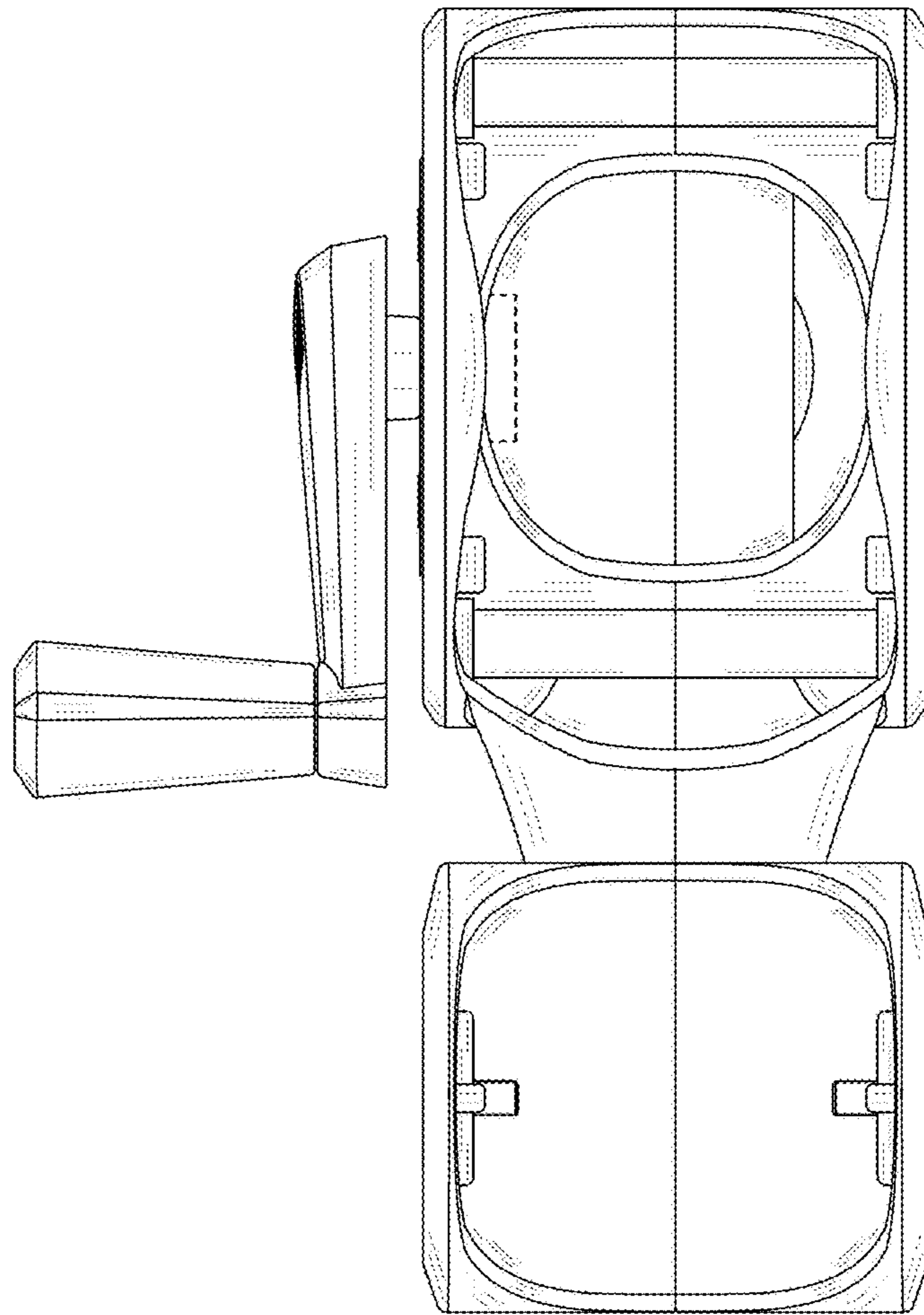


FIG. 4

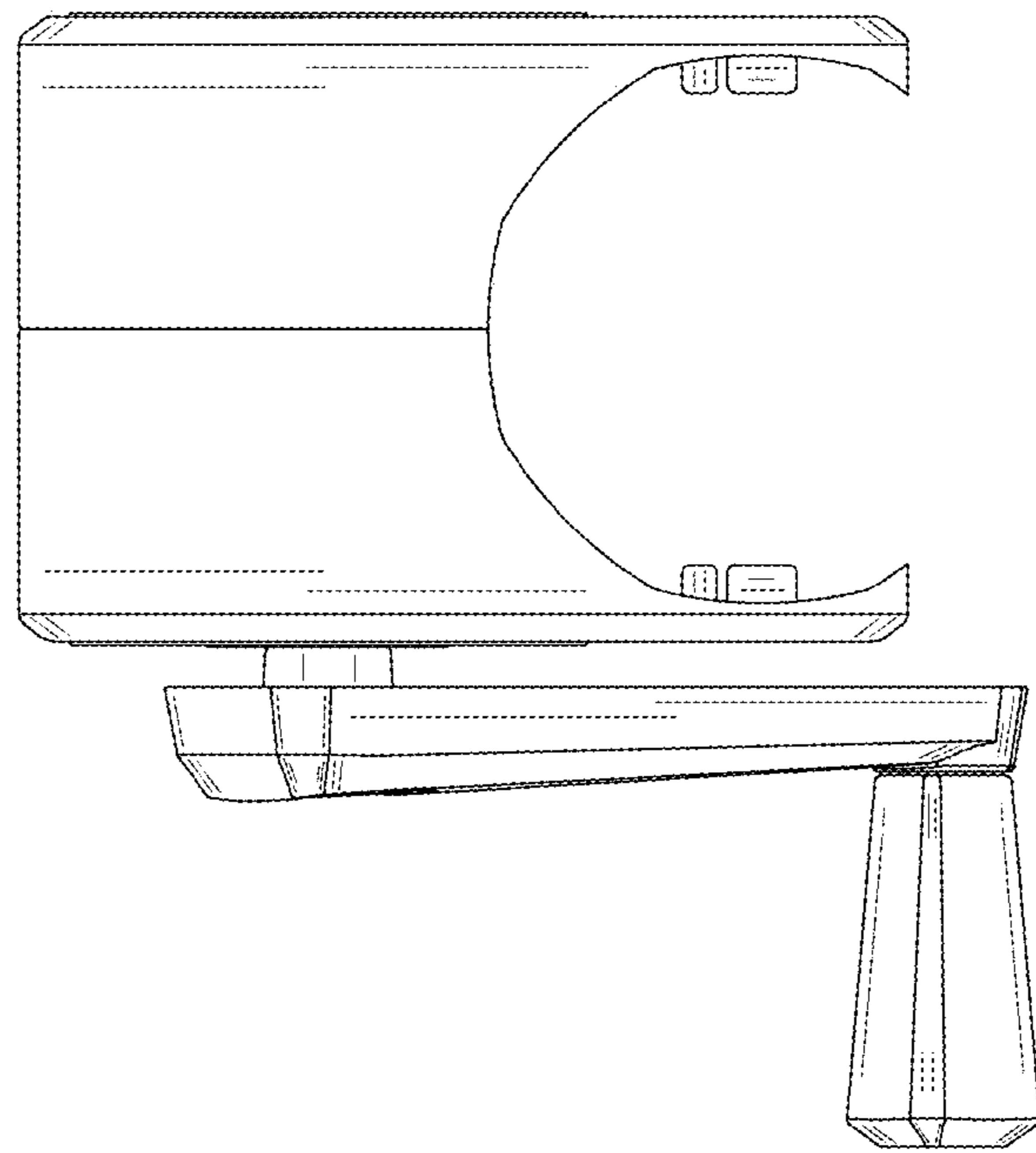


FIG. 5

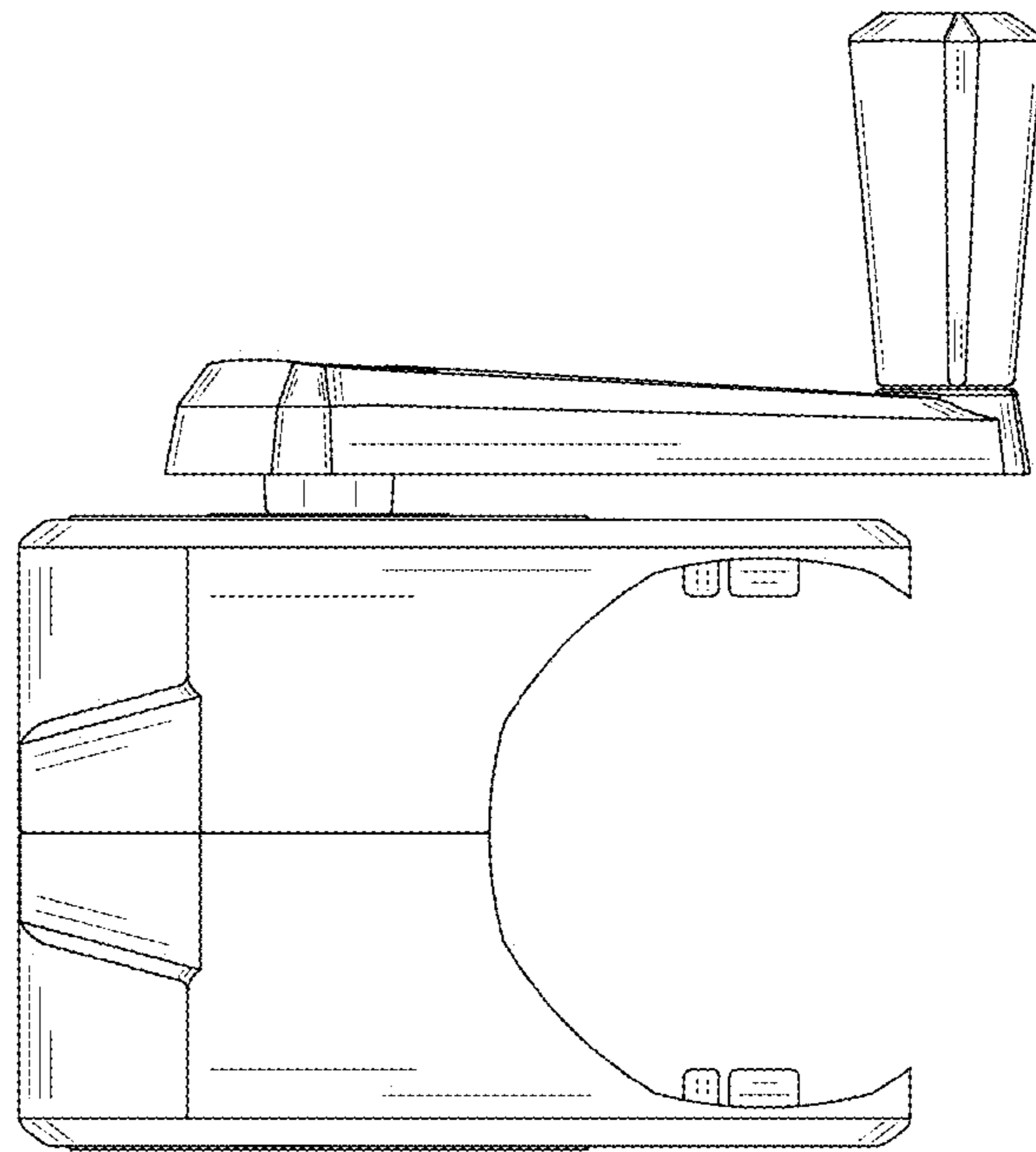


FIG. 6

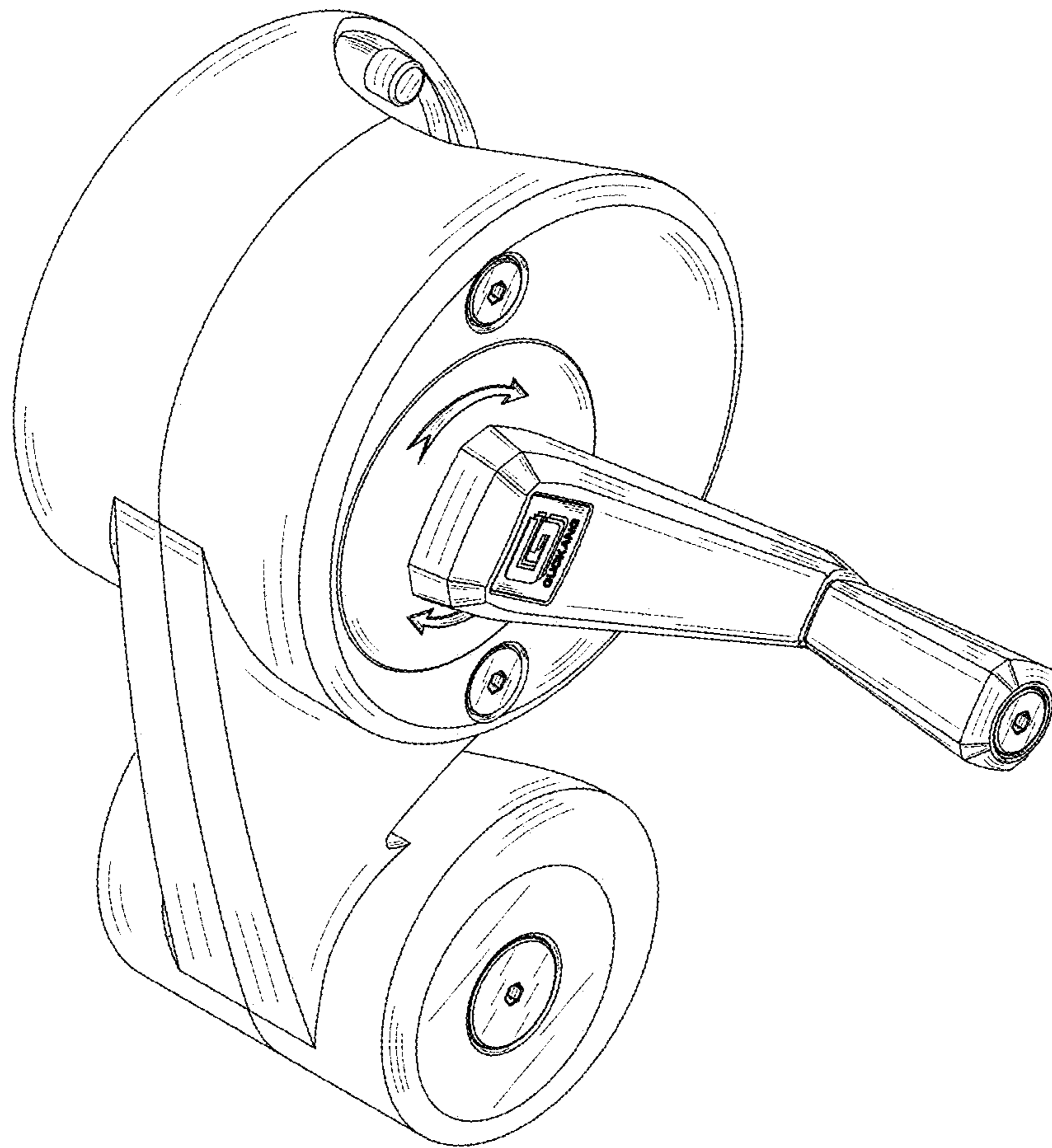


FIG. 7

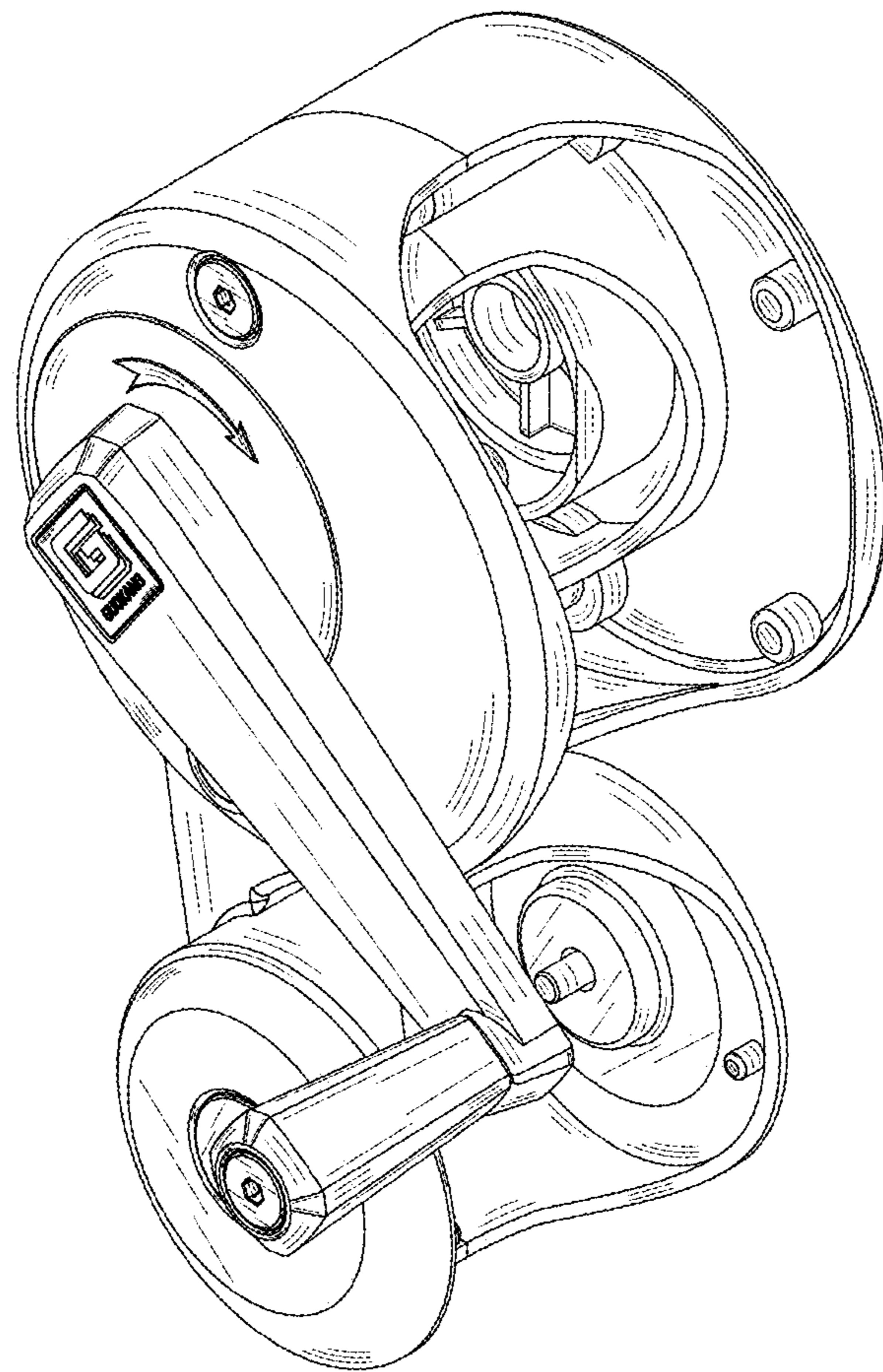


FIG. 8