



US00D949548S

(12) **United States Design Patent**  
**Abedin**

(10) **Patent No.:** **US D949,548 S**  
(45) **Date of Patent:** **\*\* Apr. 26, 2022**

(54) **UMBRELLA**

(71) Applicant: **Chaouki Abedin**, Uehlfeld (DE)

(72) Inventor: **Chaouki Abedin**, Uehlfeld (DE)

(\*\*) Term: **15 Years**

(21) Appl. No.: **29/741,586**

(22) Filed: **Jul. 14, 2020**

(30) **Foreign Application Priority Data**

Feb. 21, 2020 (EM) ..... 007709266-0001  
Feb. 21, 2020 (EM) ..... 007709266-0002

(51) **LOC (13) Cl.** ..... **03-03**

(52) **U.S. Cl.**  
USPC ..... **D3/5**

(58) **Field of Classification Search**  
USPC ..... D3/5-17; D8/303; D22/137-142  
(Continued)

(56) **References Cited**

**U.S. PATENT DOCUMENTS**

162,570 A \* 4/1875 Mitchell ..... A45B 25/22  
135/33.7  
416,352 A \* 12/1889 Andres ..... A45B 25/18  
135/33.71

(Continued)

**FOREIGN PATENT DOCUMENTS**

CN 303231515 \* 5/2015  
CN 303499880 \* 12/2015  
KR 301071664.0000 \* 8/2020

**OTHER PUBLICATIONS**

Bright Night StrideLite BN-002 Illuminated Lightweight Umbrella, first available Apr. 6, 2012, amazon.com [online], [site visited Jul. 13, 2021], Available at internet URL: <https://www.amazon.com/exec/obidos/ASIN/B007S1TF8A?tag=trenhunt0f-20> (Year: 2012).\*

(Continued)

*Primary Examiner* — Jeffrey D Asch  
*Assistant Examiner* — Caitlin A Lavery

(74) *Attorney, Agent, or Firm* — Merchant & Gould P.C.

(57) **CLAIM**

The ornamental design for an umbrella, as shown and described.

**DESCRIPTION**

The file of this patent contains at least one drawing/photograph executed in color. Copies of this patent with color drawings will be provided by the Office upon request and payment of the necessary fee.

FIG. 1 is a perspective view of a first embodiment of an umbrella showing my new design;  
FIG. 2 is a front view thereof;  
FIG. 3 is a rear view thereof;  
FIG. 4 is a left side view thereof;  
FIG. 5 is a right side view thereof;  
FIG. 6 is a top view thereof;  
FIG. 7 is a bottom view thereof;  
FIG. 8 is a perspective view of a second embodiment of an umbrella showing my new design;  
FIG. 9 is a front view thereof;  
FIG. 10 is a rear view thereof;  
FIG. 11 is a left side view thereof;  
FIG. 12 is a right side view thereof;  
FIG. 13 is a top view thereof;  
FIG. 14 is a bottom view thereof;  
FIG. 15 is a perspective view of a third embodiment of an umbrella showing my new design;  
FIG. 16 is a front view thereof;  
FIG. 17 is a rear view thereof;  
FIG. 18 is a left side view thereof;  
FIG. 19 is a right side view thereof;  
FIG. 20 is a top view thereof;  
FIG. 21 is a bottom view thereof;  
FIG. 22 is a perspective view of a fourth embodiment of an umbrella showing my new design;  
FIG. 23 is a front view thereof;  
FIG. 24 is a rear view thereof;

(Continued)

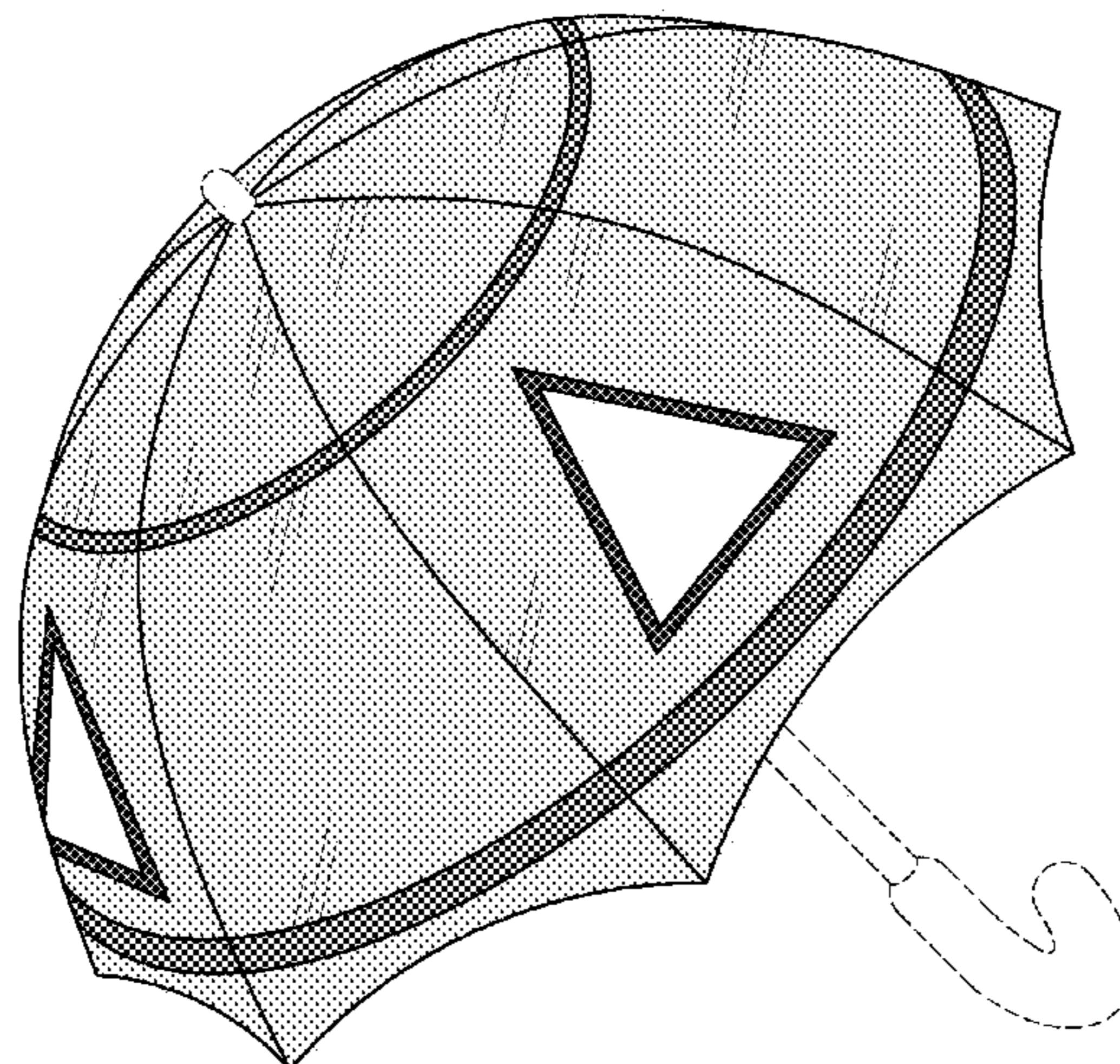


FIG. 25 is a left side view thereof;  
 FIG. 26 is a right side view thereof;  
 FIG. 27 is a top view thereof;  
 FIG. 28 is a bottom view thereof;  
 FIG. 29 is a perspective view of a fifth embodiment of an umbrella showing my new design;  
 FIG. 30 is a front view thereof;  
 FIG. 31 is a rear view thereof;  
 FIG. 32 is a left side view thereof;  
 FIG. 33 is a right side view thereof;  
 FIG. 34 is a top view thereof; and  
 FIG. 35 is a bottom view thereof.  
 FIG. 36 is a perspective view of a sixth embodiment of an umbrella showing my new design;  
 FIG. 37 is a front view thereof;  
 FIG. 38 is a rear view thereof;  
 FIG. 39 is a left side view thereof;  
 FIG. 40 is a right side view thereof;  
 FIG. 41 is a top view thereof; and,  
 FIG. 42 is a bottom view thereof.  
 The broken lines show portions of the umbrella and form no part of the claimed design.

**1 Claim, 42 Drawing Sheets  
 (42 of 42 Drawing Sheet(s) Filed in Color)**

(58) **Field of Classification Search**

CPC .... A45B 3/02; A45B 3/04; A45B 9/02; A45B 11/00; A45B 15/00; A45B 17/00; A45B 19/00; A45B 19/04; A45B 19/08; A45B 19/10; A45B 21/00; A45B 2200/1081; A45B 23/00; A45B 2023/0012; A45B 2023/005; A45B 2023/0037; A45B 2023/0043; A45B 2023/0056; A45B 2023/0068; A45B 2023/0075; A45B

25/00; A45B 25/02; A45B 25/06; A45B 25/08; A45B 25/10; A45B 25/14; A45B 25/18; A45B 25/20; A45B 25/22; A45B 25/143; A45B 2025/003

See application file for complete search history.

(56)

**References Cited**

U.S. PATENT DOCUMENTS

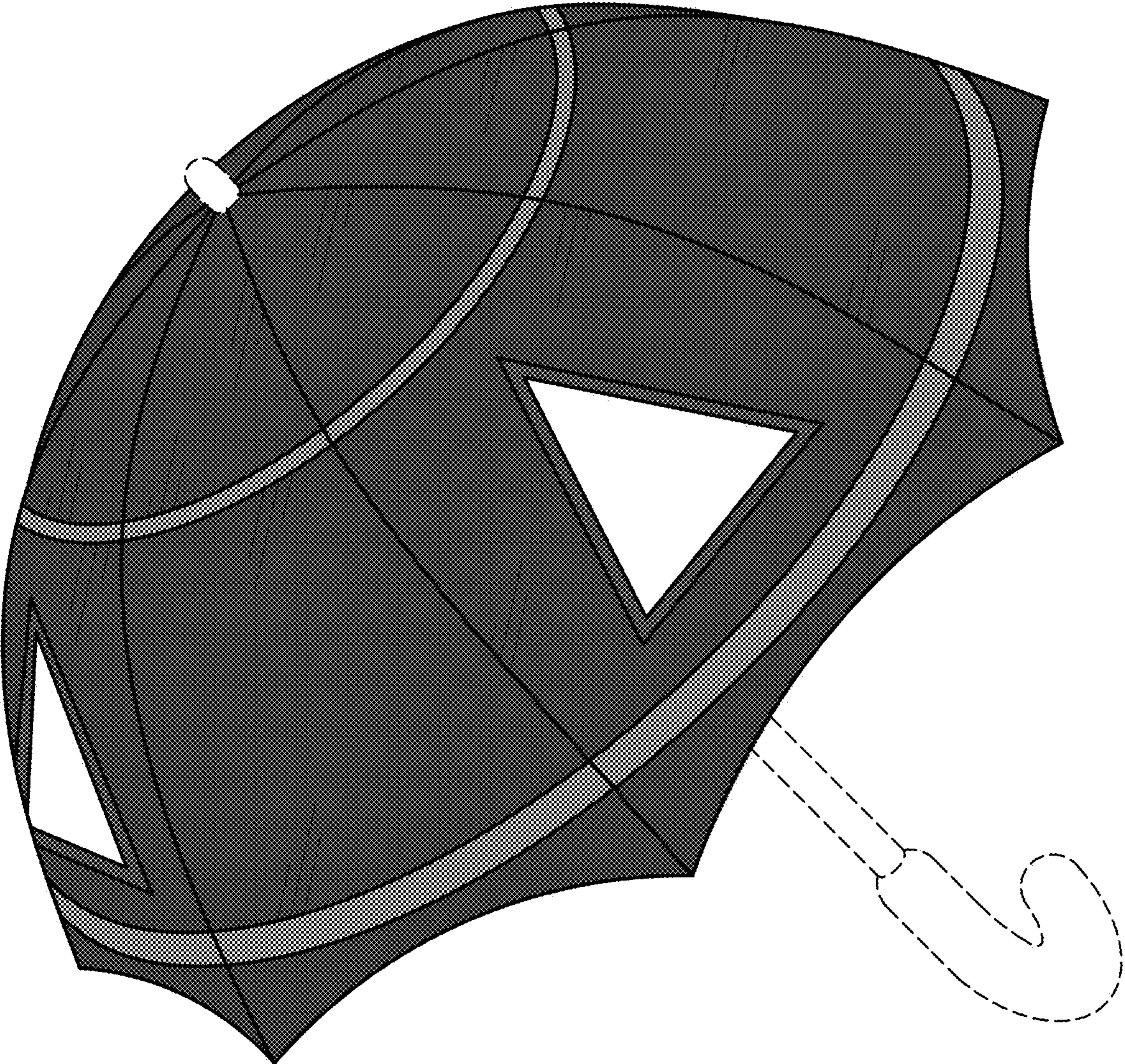
4,300,582	A *	11/1981	Desarno .....	A45B 25/22 135/27
4,998,551	A *	3/1991	DeSarno .....	A45B 25/22 135/15.1
D400,701	S *	11/1998	Wu .....	D3/5
D439,400	S *	3/2001	Gobel .....	D3/5
D467,066	S *	12/2002	You .....	D3/5
D652,203	S *	1/2012	Blauer .....	D3/5
D674,179	S *	1/2013	Joo .....	D3/5
D721,885	S *	2/2015	Ranginwala .....	D3/5
D939,258	S *	12/2021	Song .....	D6/683
2005/0172986	A1 *	8/2005	Lu .....	A45B 3/04 135/33.2
2009/0301531	A1 *	12/2009	Elder .....	A45B 11/00 135/16
2019/0059531	A1 *	2/2019	Patin .....	A45B 3/04

OTHER PUBLICATIONS

Blunt G1 Golf Hi-Viz Yellow, unknown first available date, homeinteriors.co.nz [online], [site visited Jul. 13, 2021], Available at internet URL: <https://www.homeinteriors.co.nz/products/blunt-g1-golf-hi-viz-yellow> (Year: 2021).\*

Quick Safety Mini pocket umbrella with reflectors and warning triangle, first available Jul. 8, 2021, amazon.de [online], [site visited Jul. 15, 2021], Available at internet URL: [https://www.amazon.de/Sicherheit-Regenschirm-Reflektoren-Freizeit-Quick/dp/B08L41K8LG/?language=en\\_GB&th=1](https://www.amazon.de/Sicherheit-Regenschirm-Reflektoren-Freizeit-Quick/dp/B08L41K8LG/?language=en_GB&th=1) (Year: 2021).\*

\* cited by examiner



**FIG. 1**

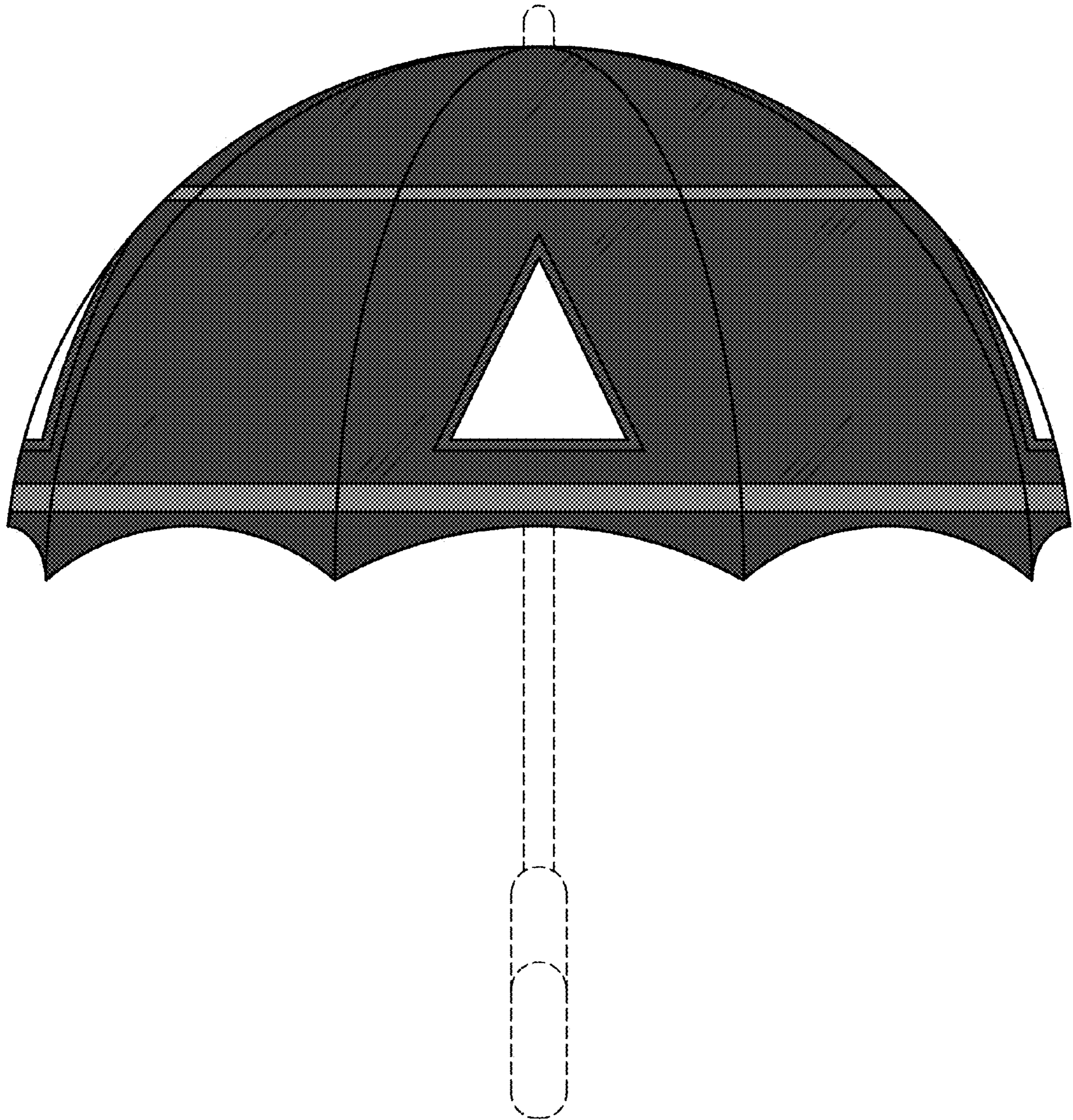
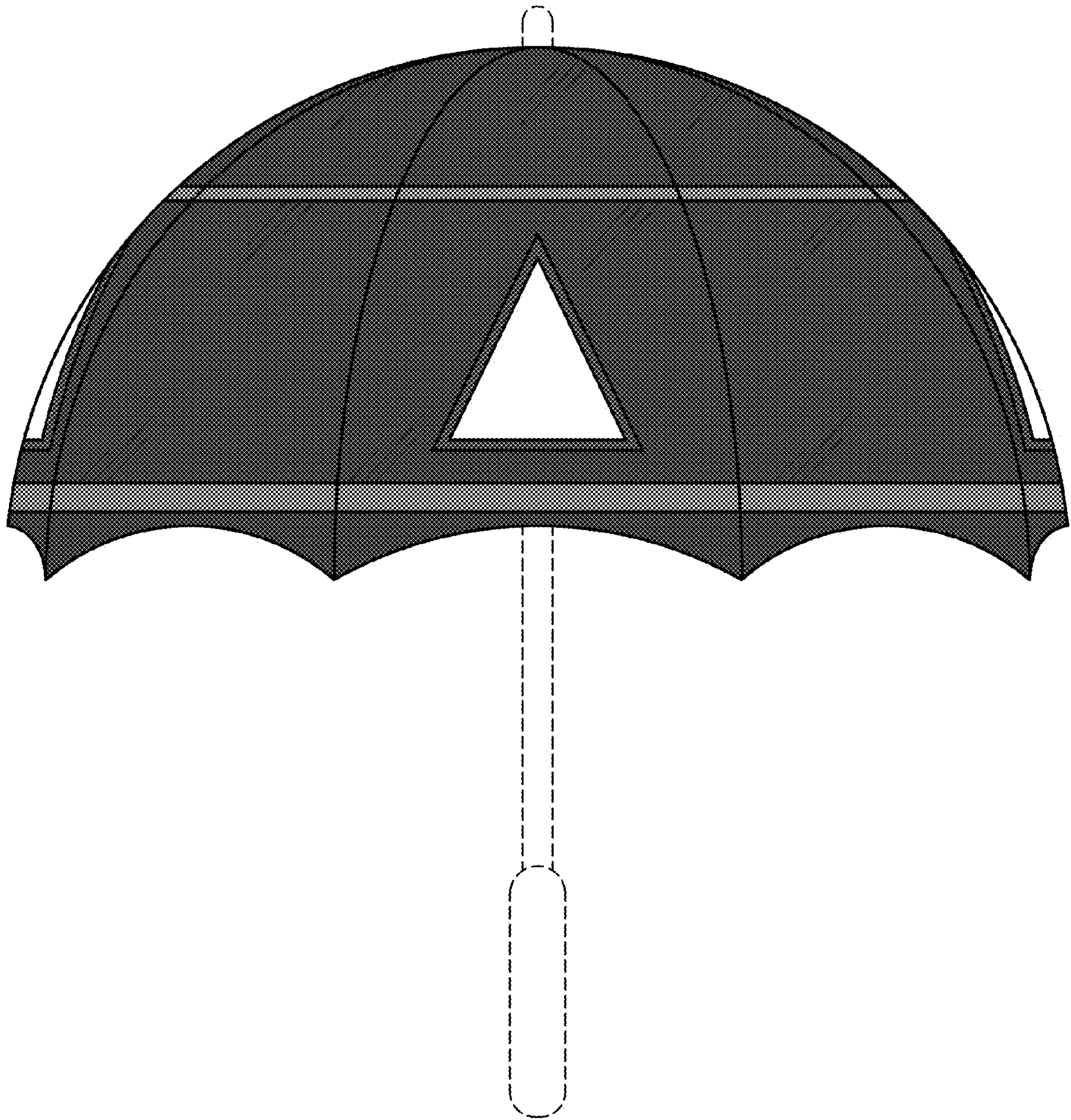
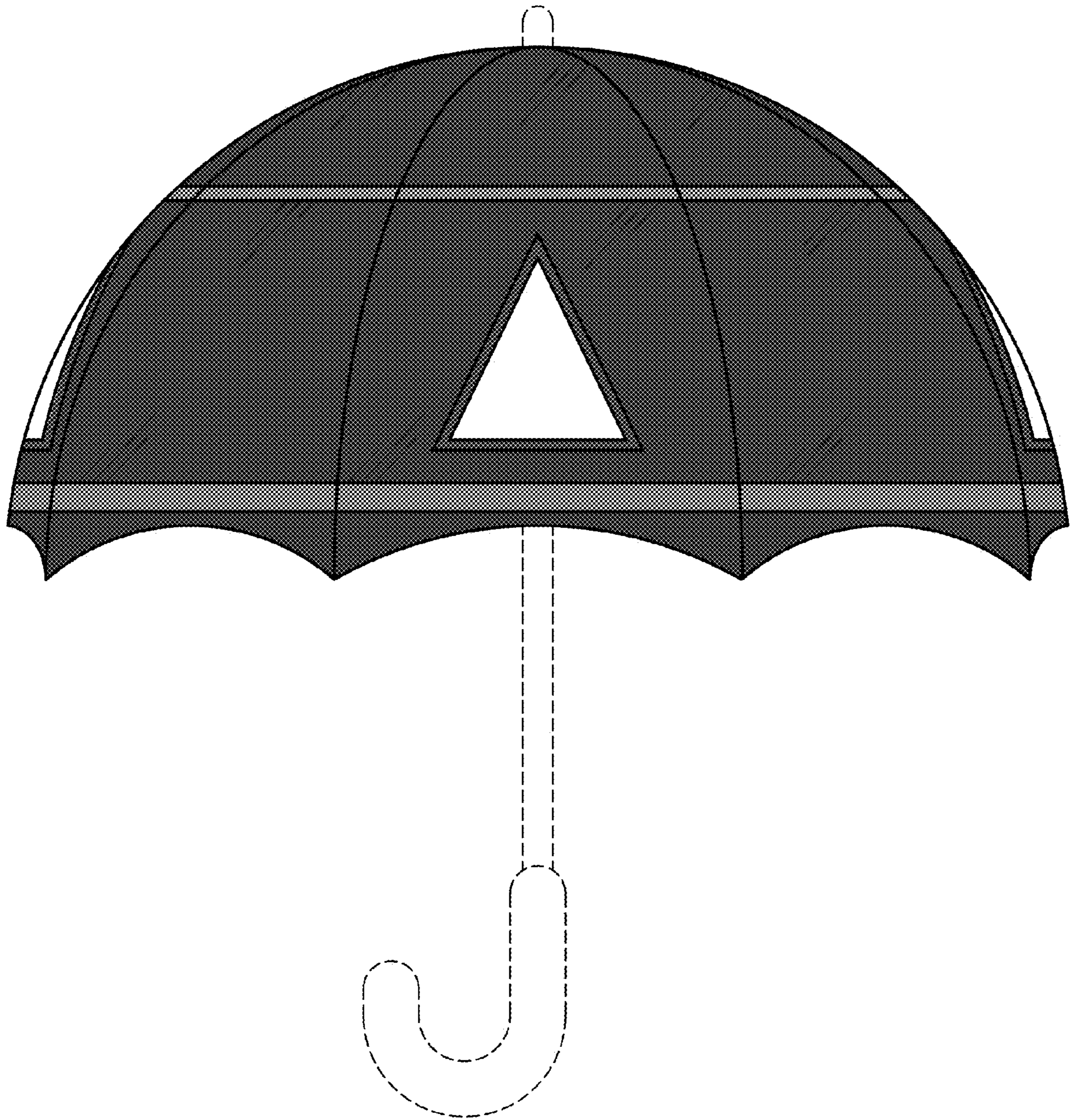


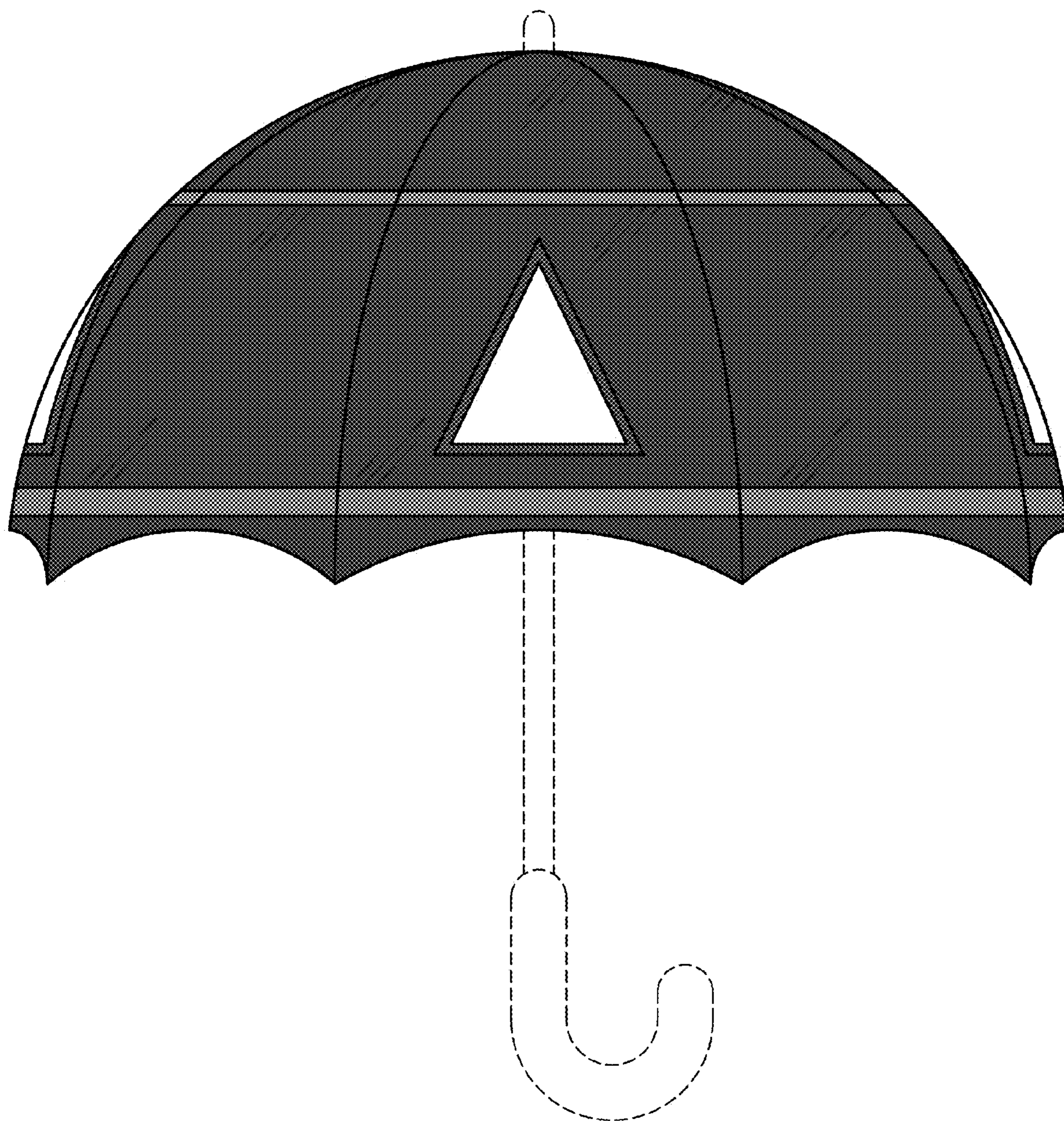
FIG. 2



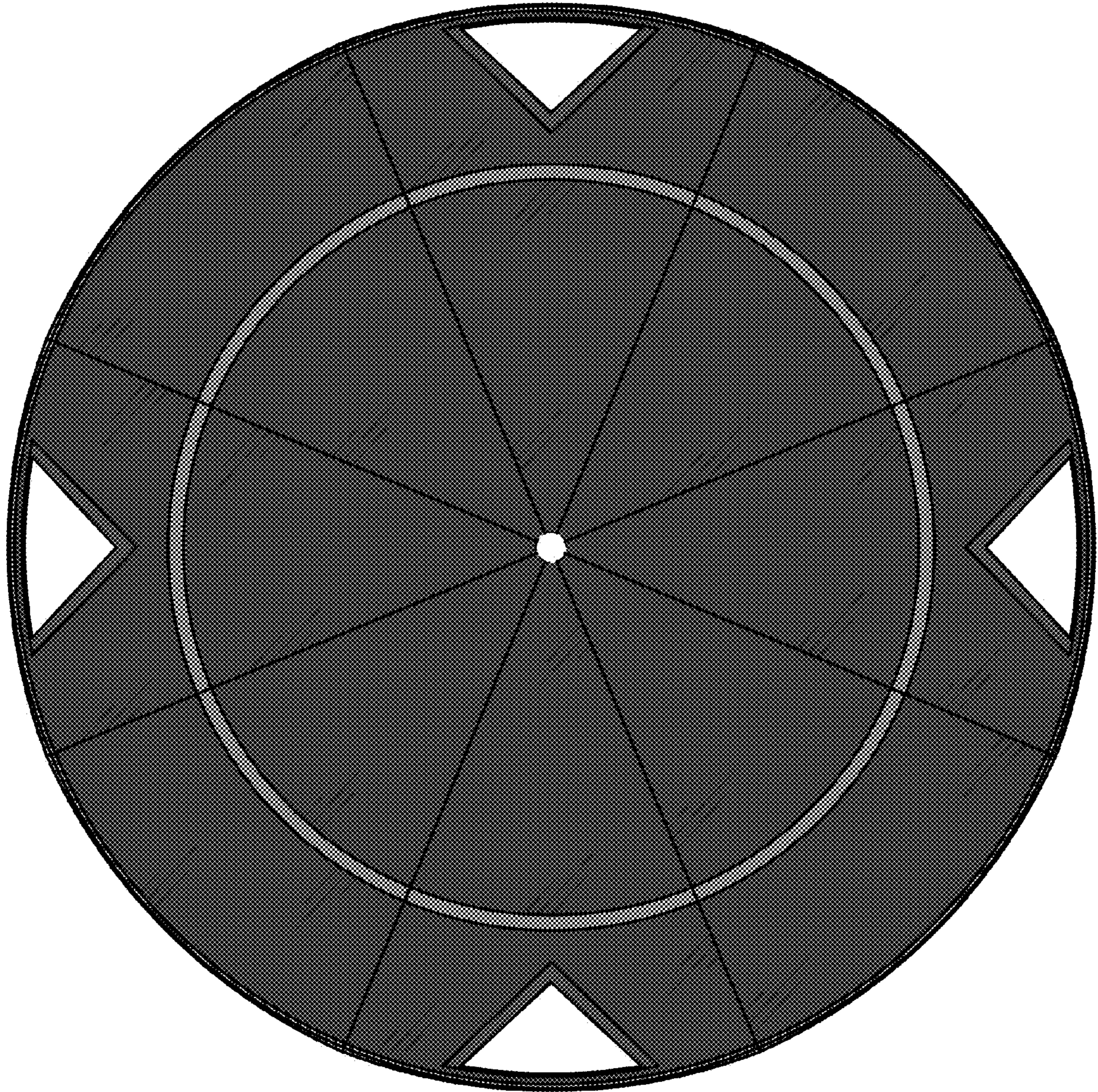
**FIG. 3**



**FIG. 4**

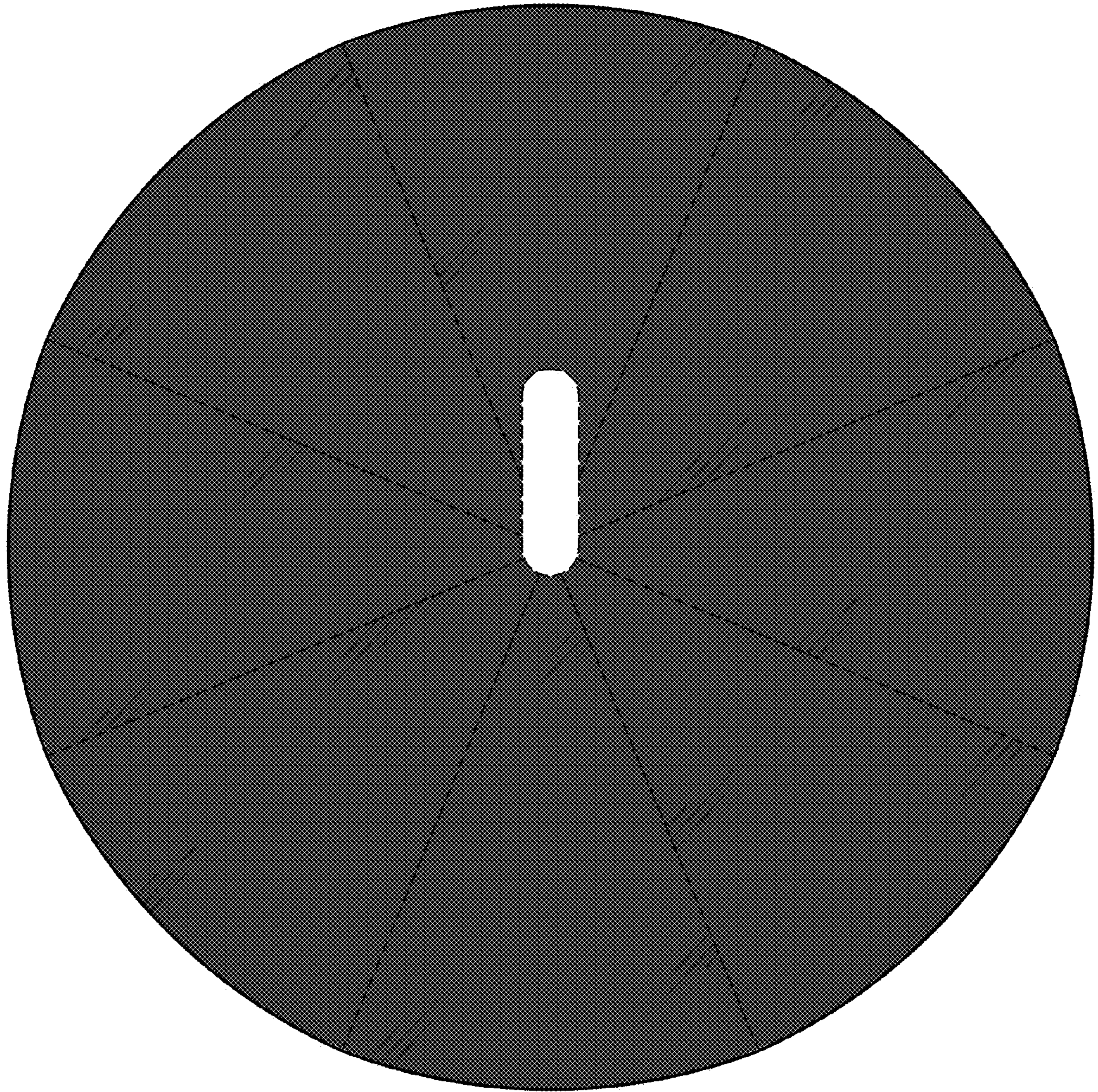


**FIG. 5**



**FIG. 6**





**FIG. 7**

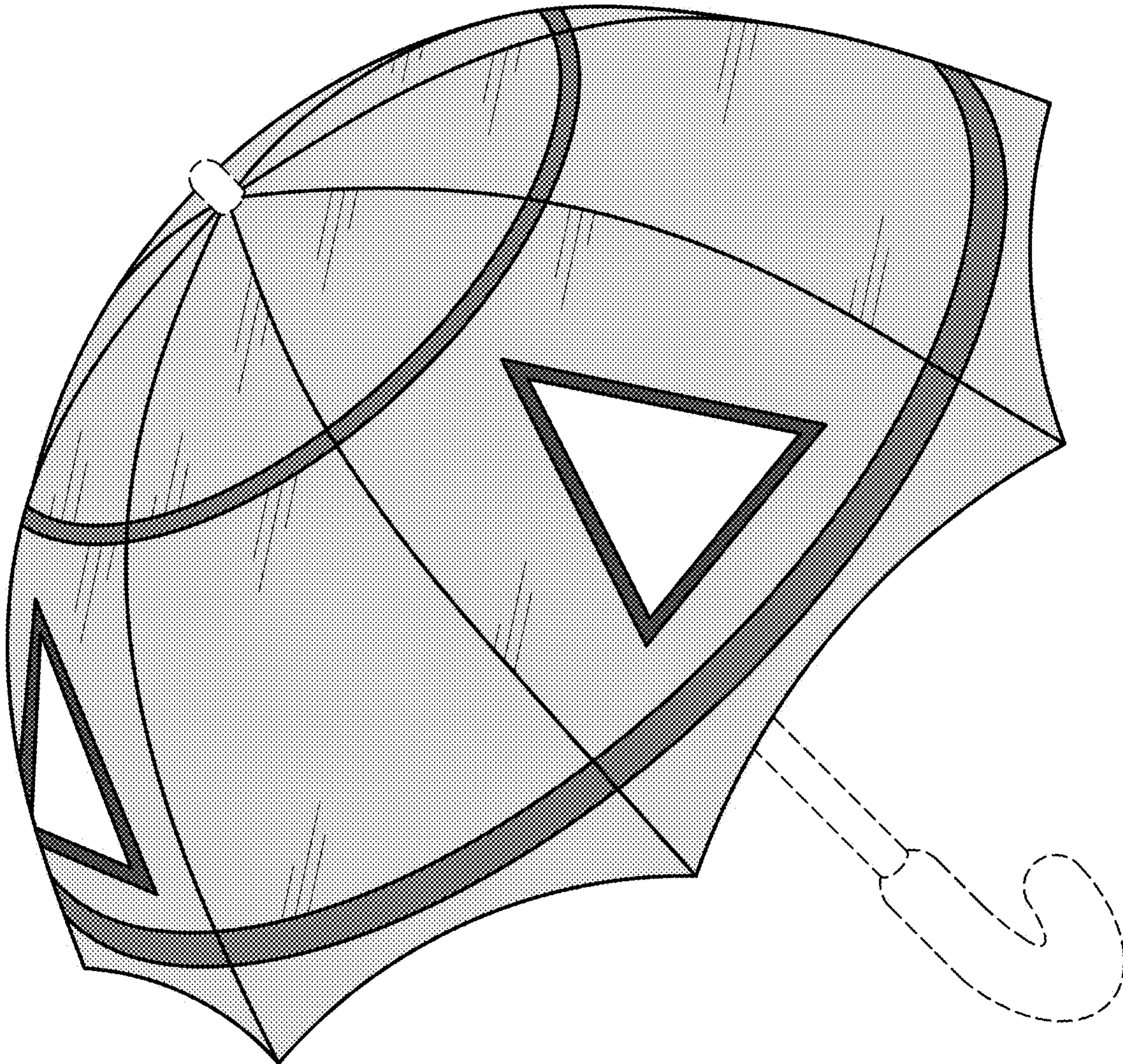
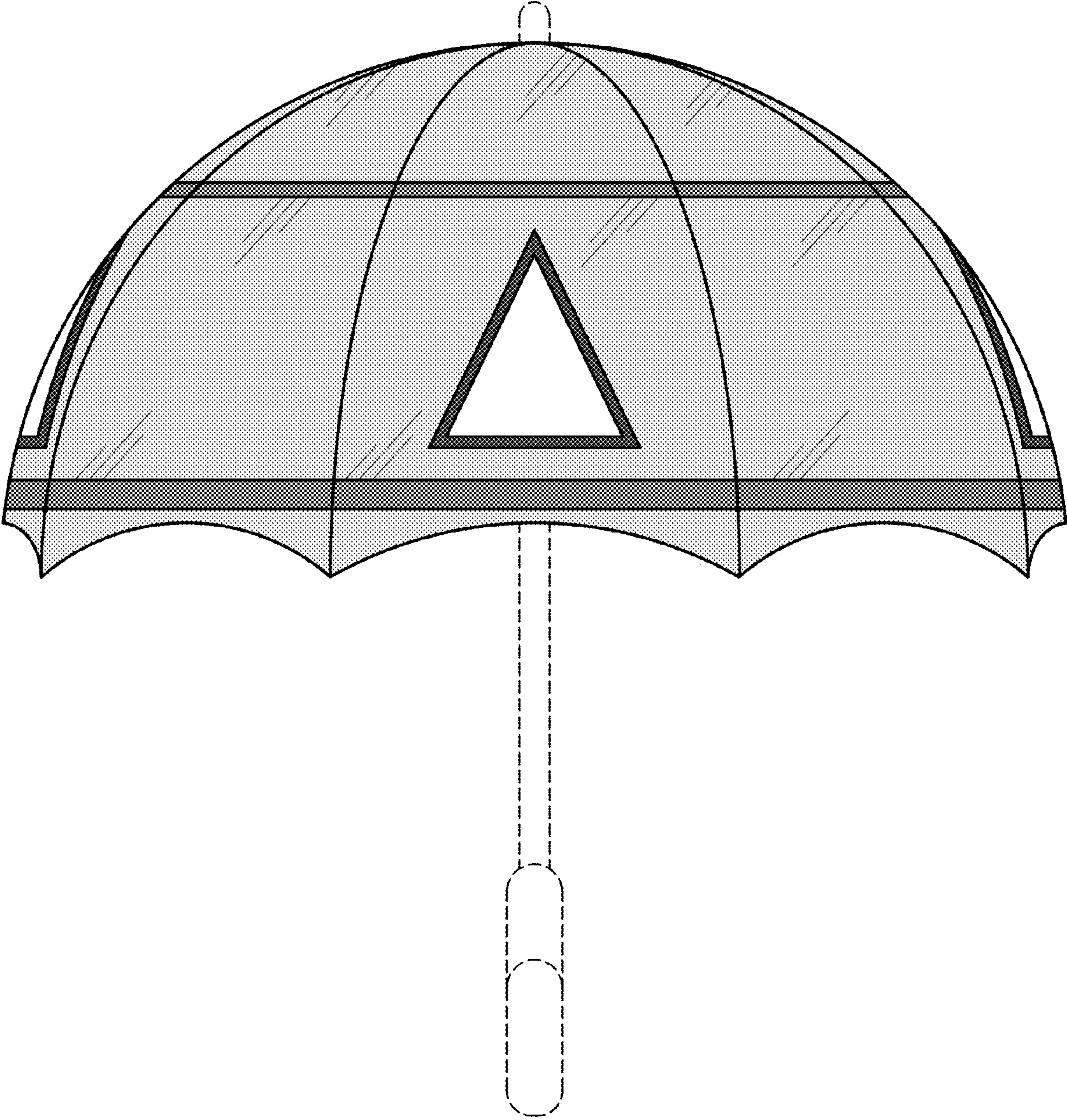
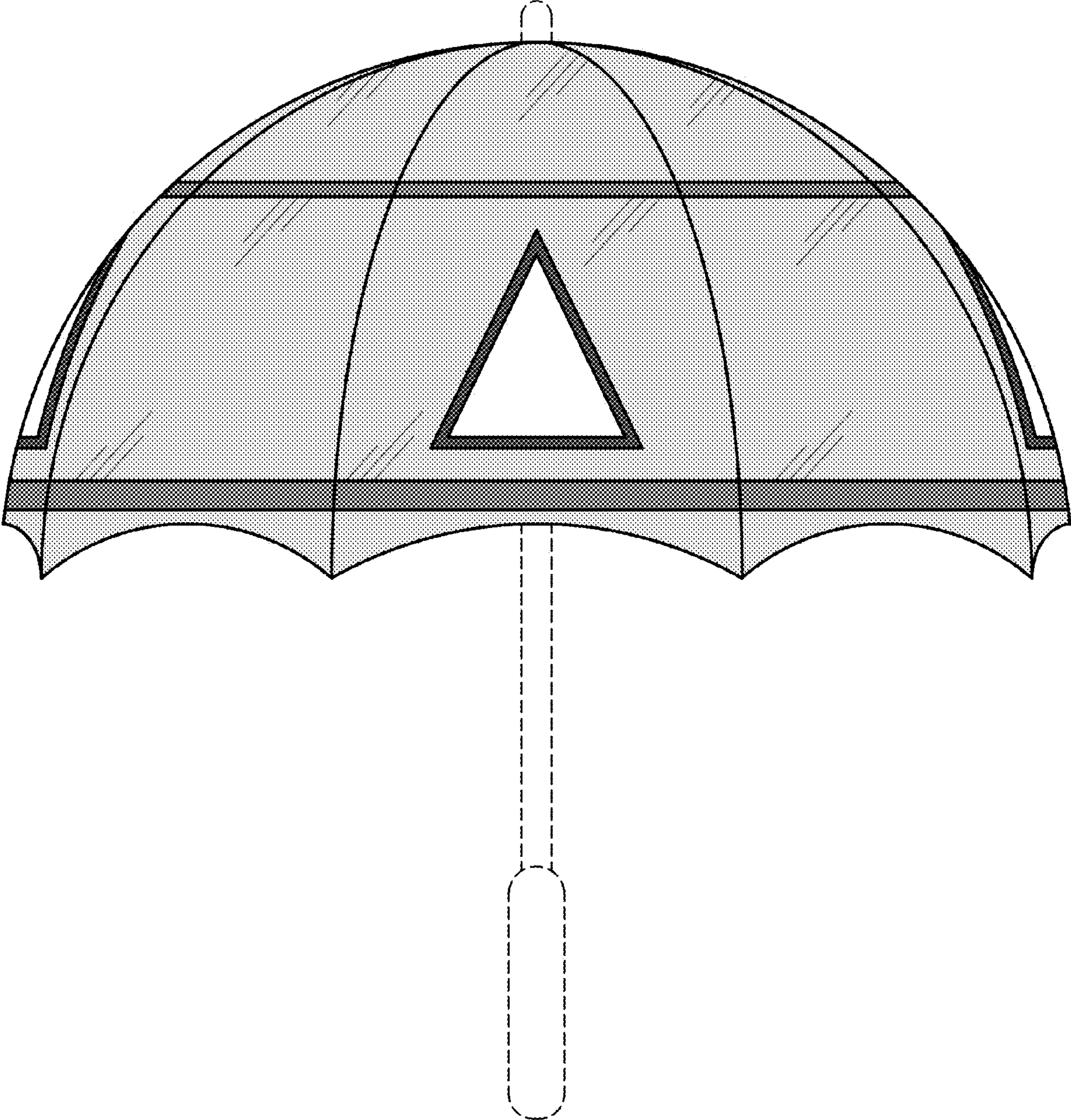


FIG. 8



**FIG. 9**



**FIG. 10**

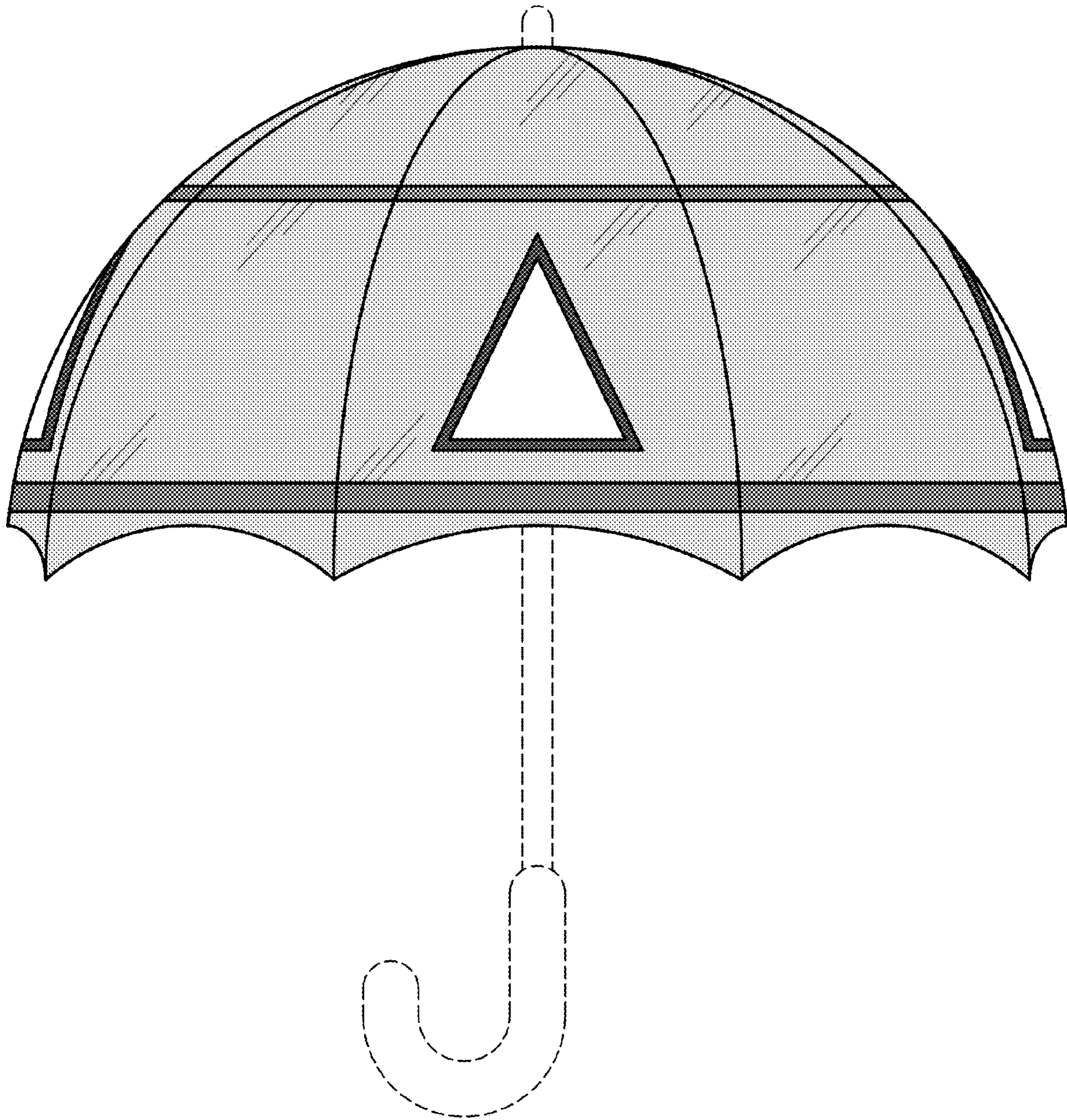


FIG. 11

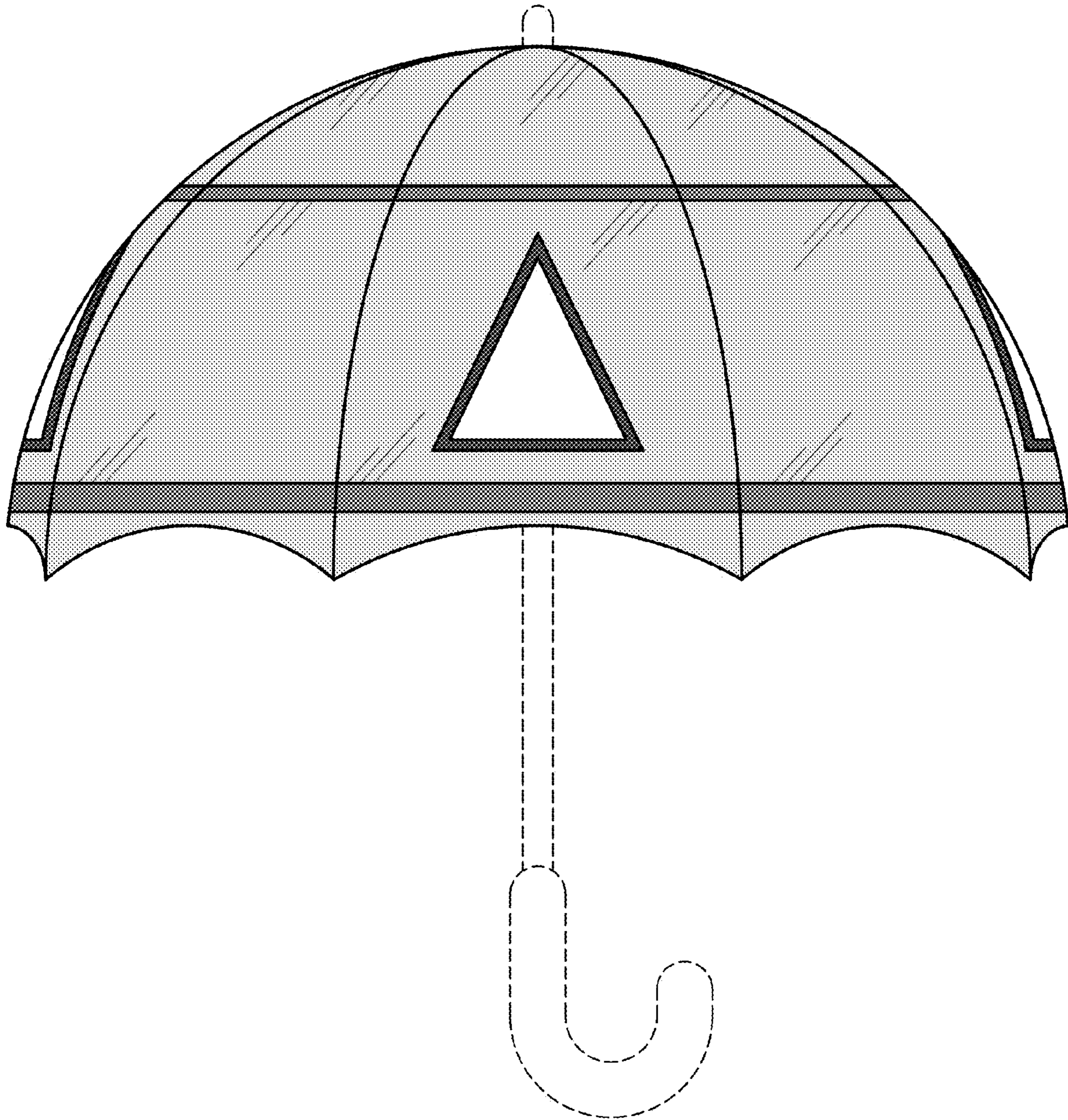


FIG. 12

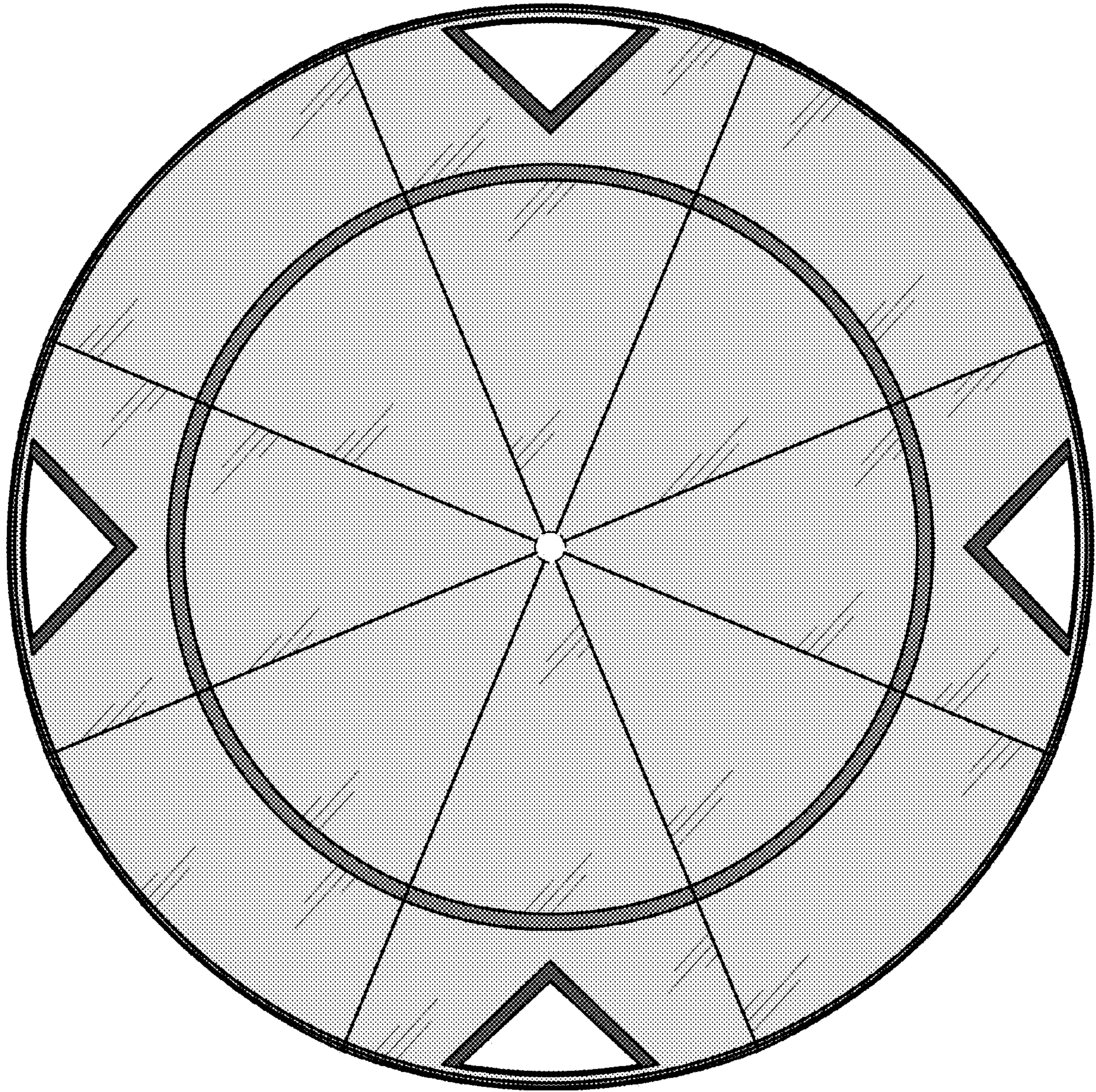


FIG. 13

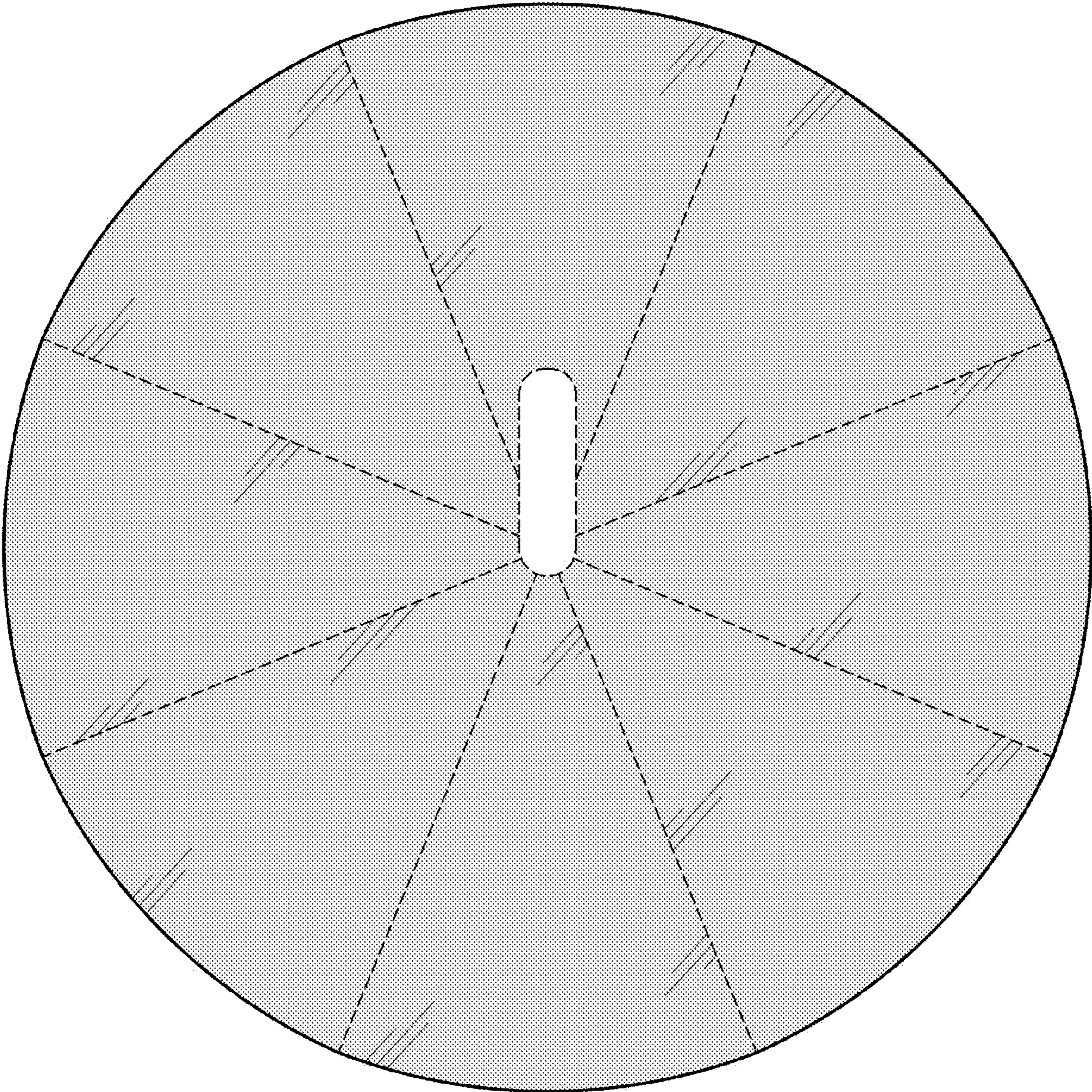
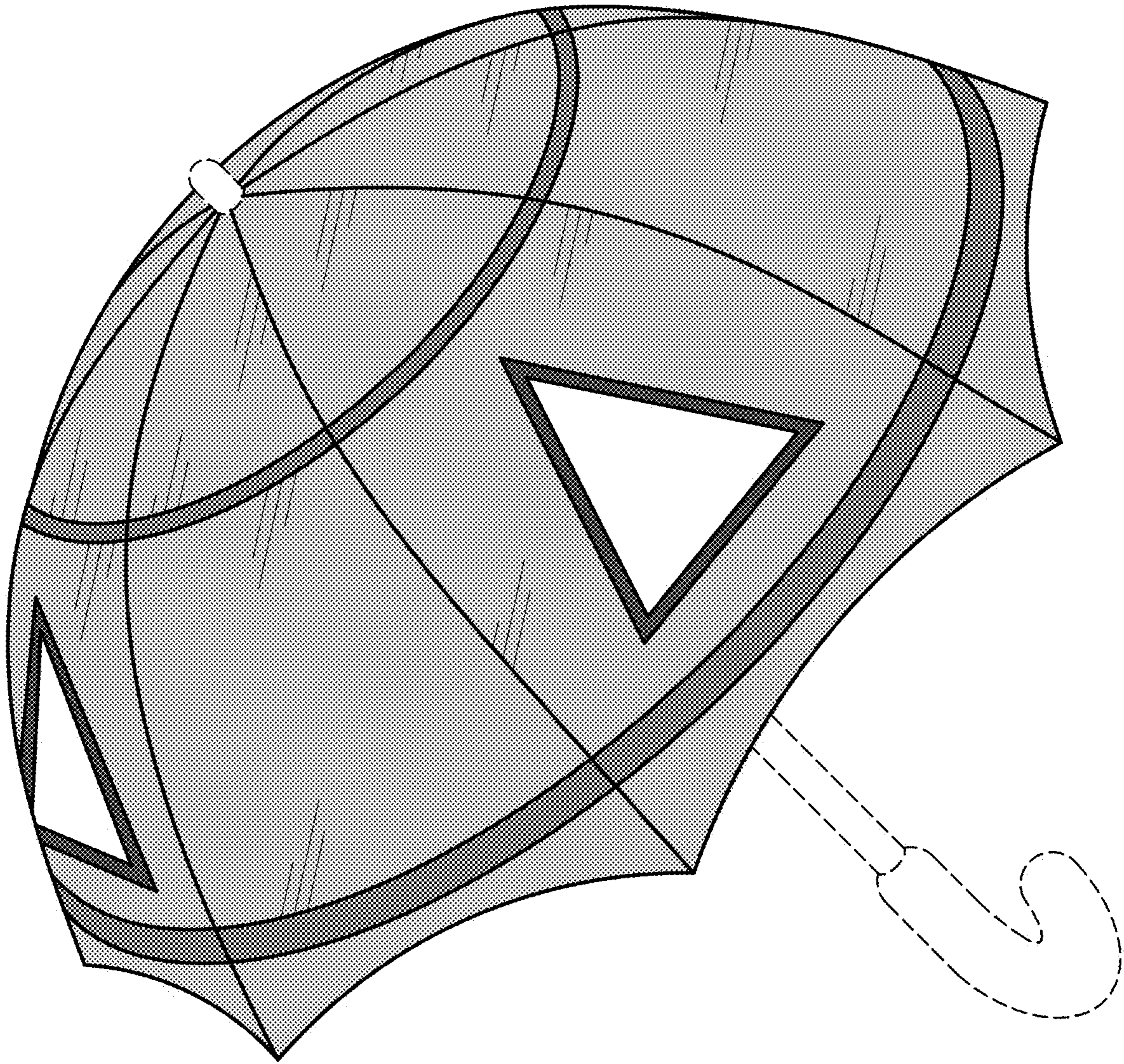


FIG. 14





**FIG. 15**

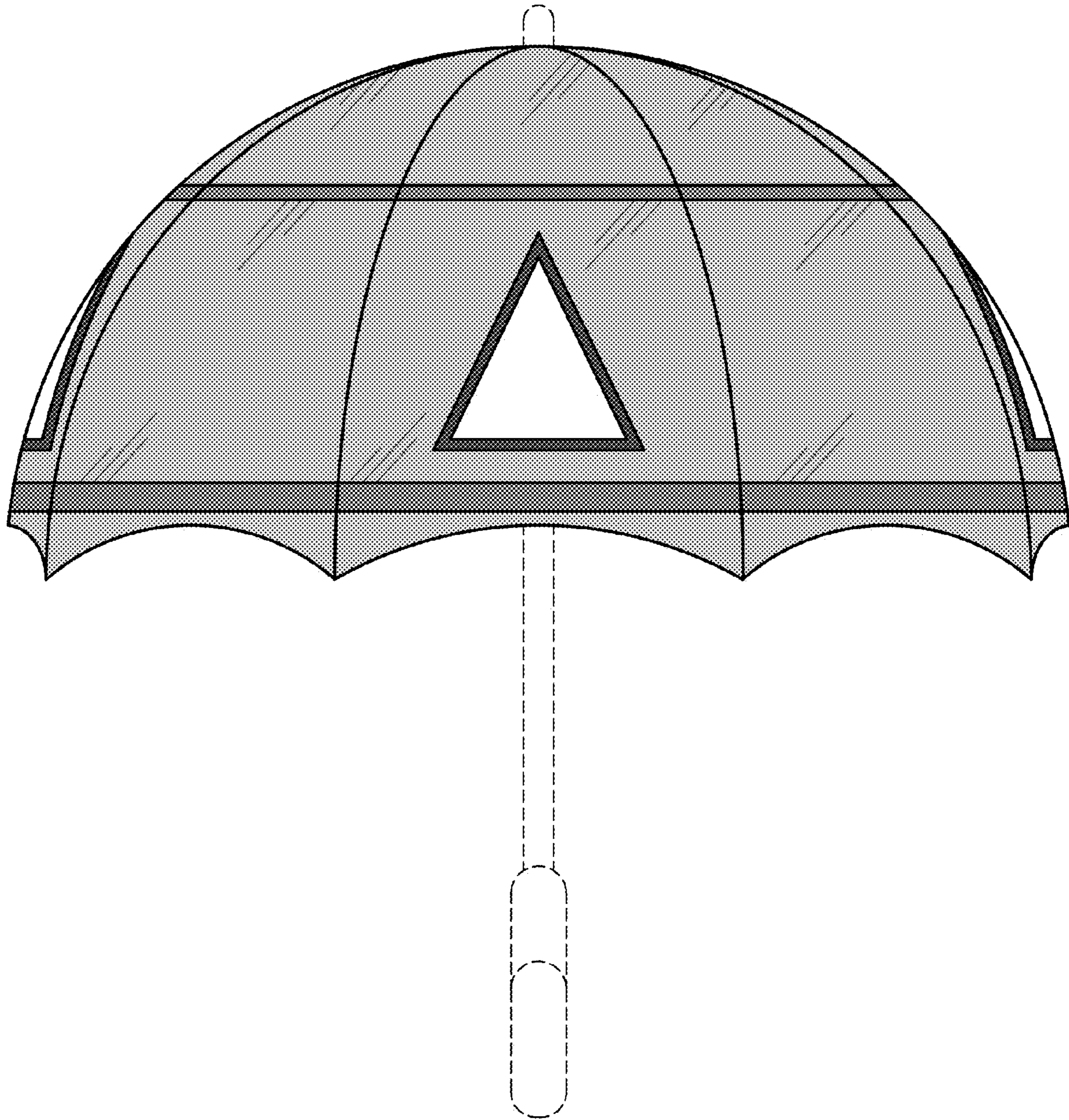


FIG. 16

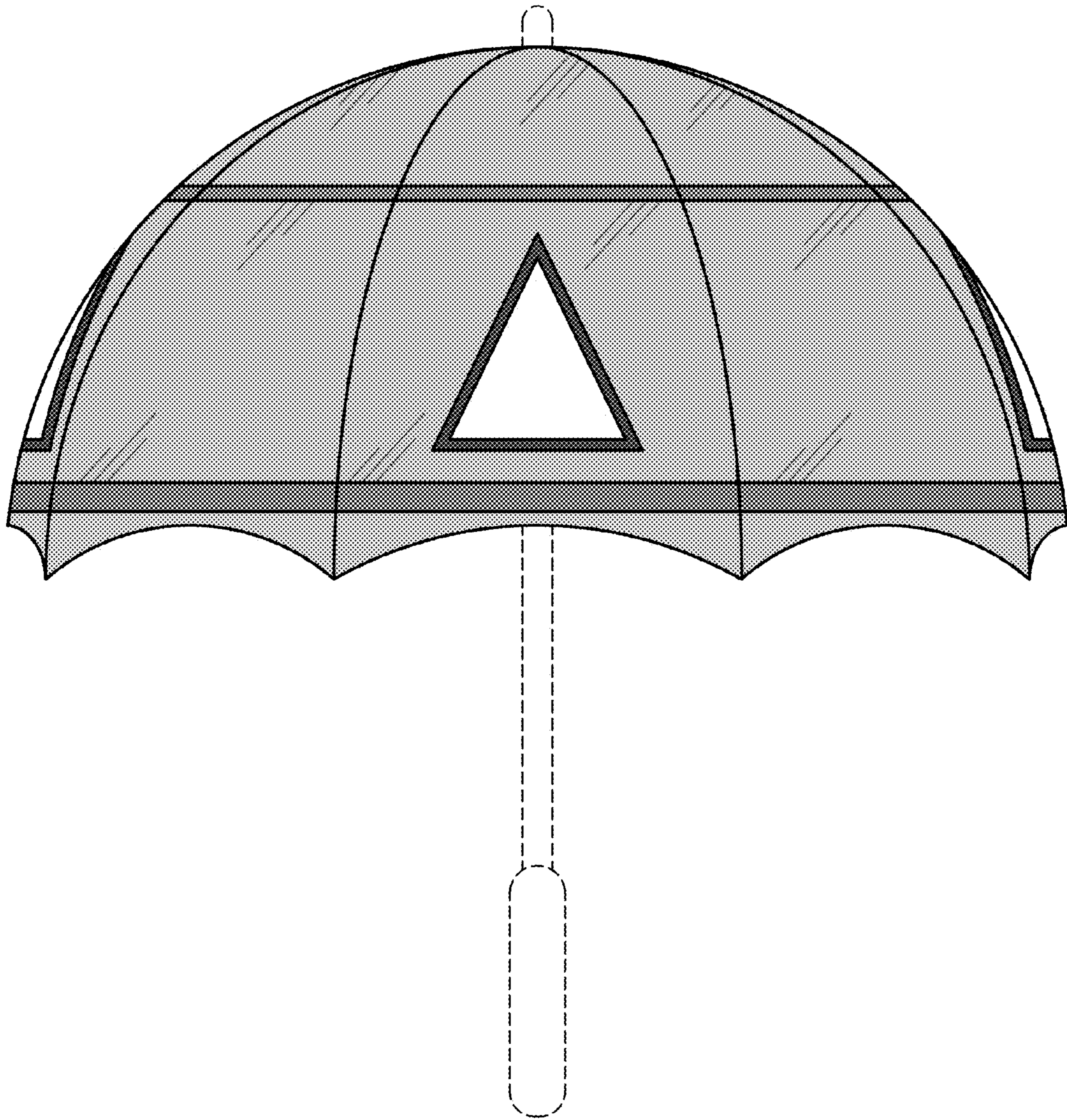
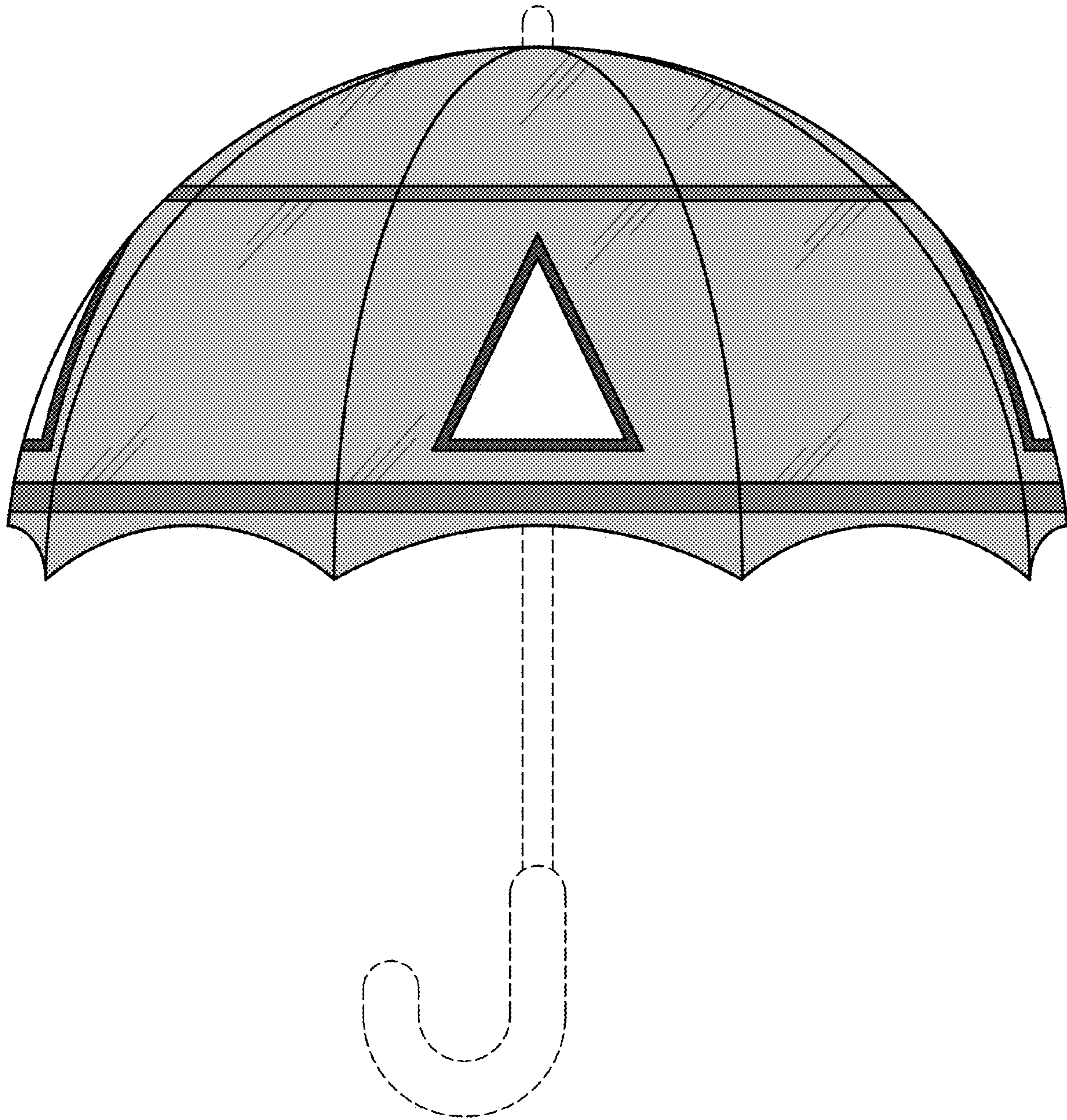


FIG. 17



**FIG. 18**

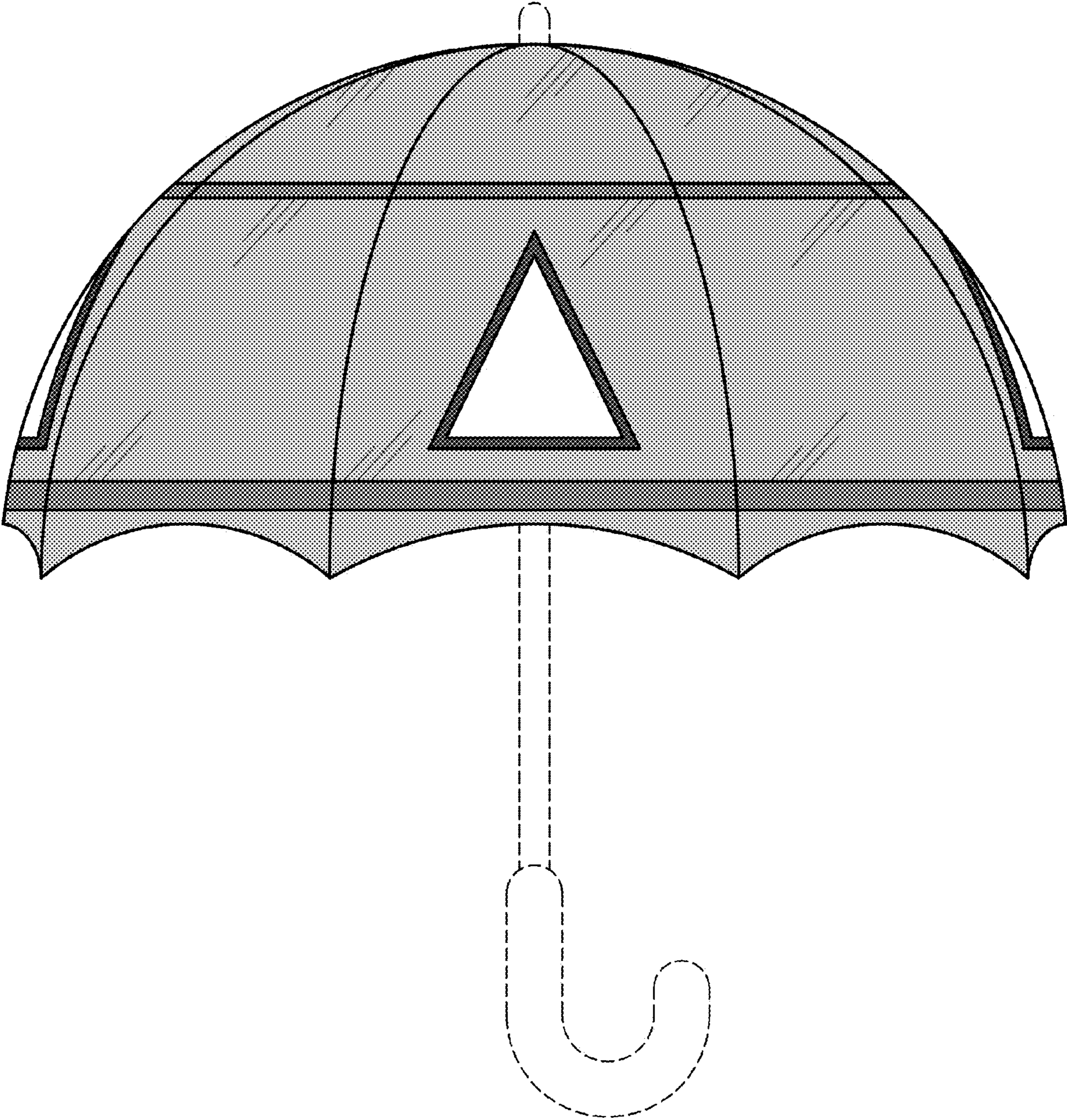


FIG. 19

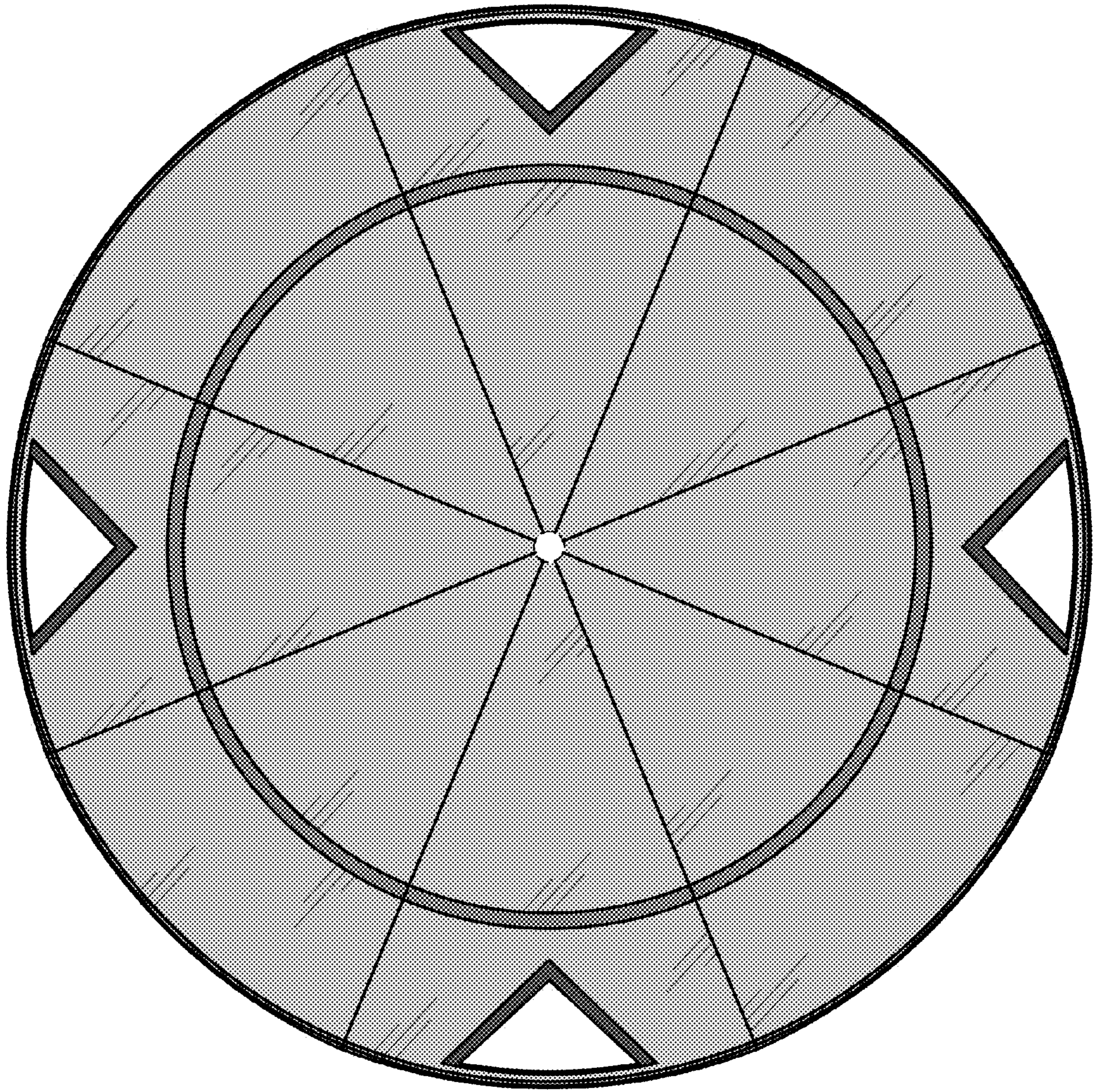
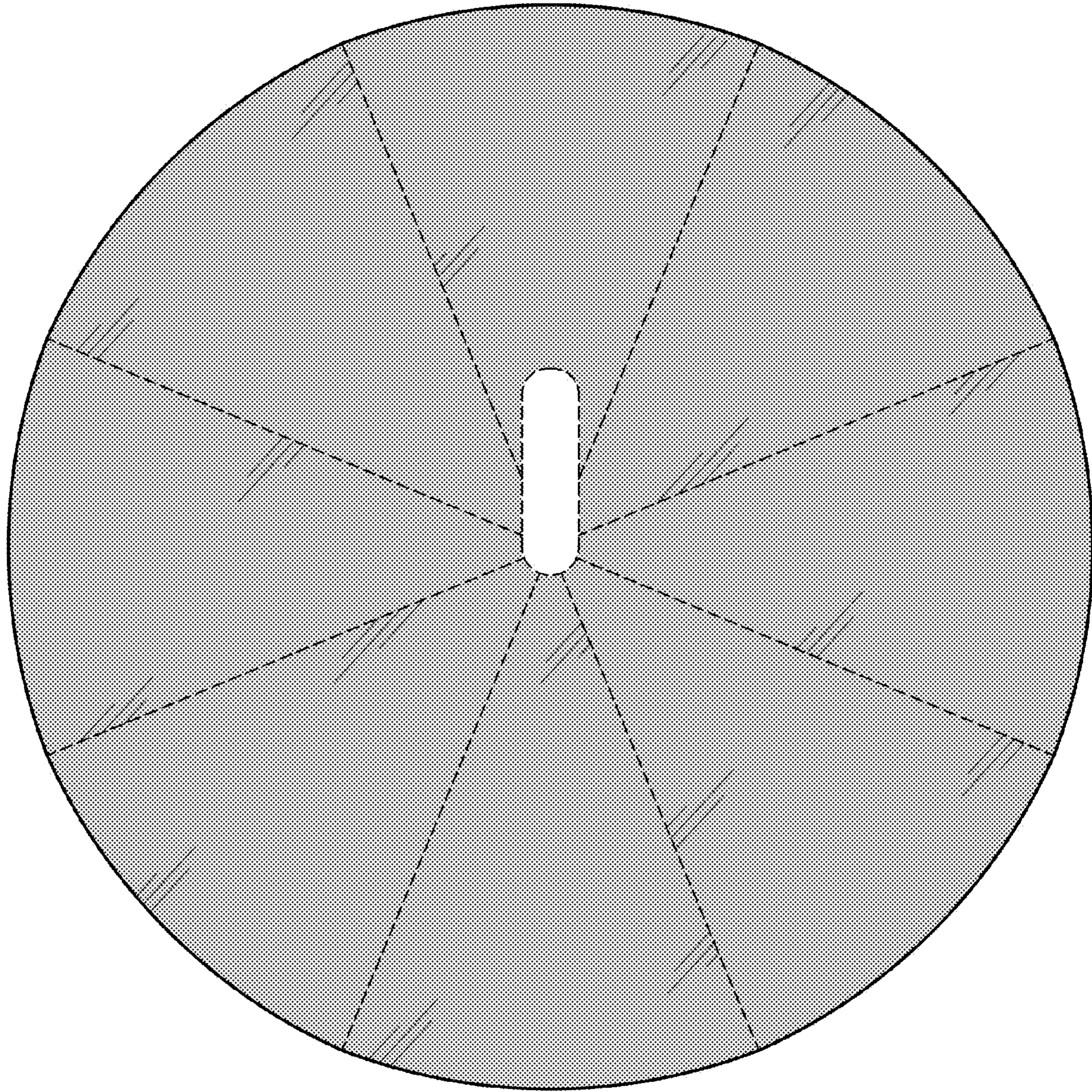
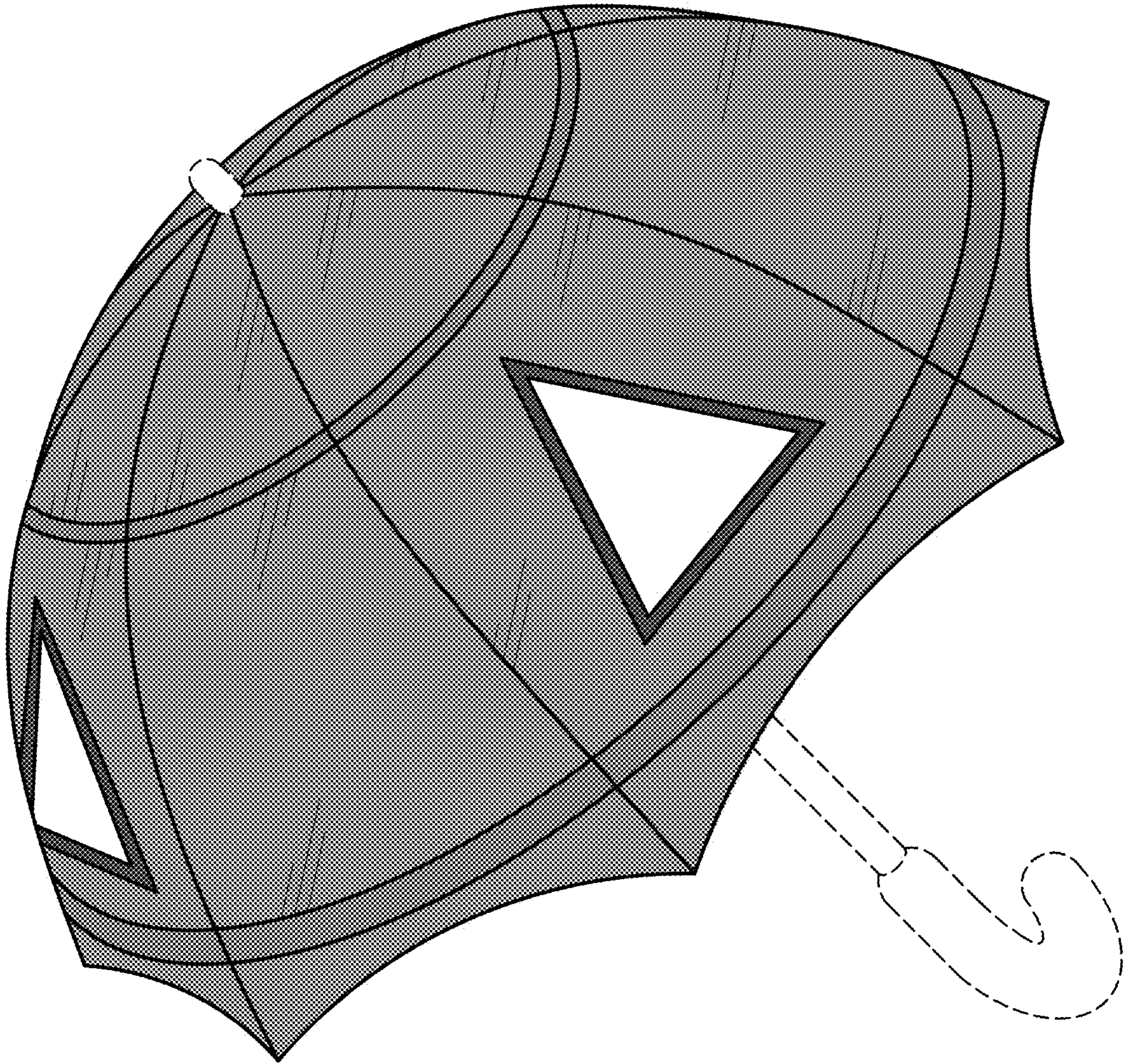


FIG. 20

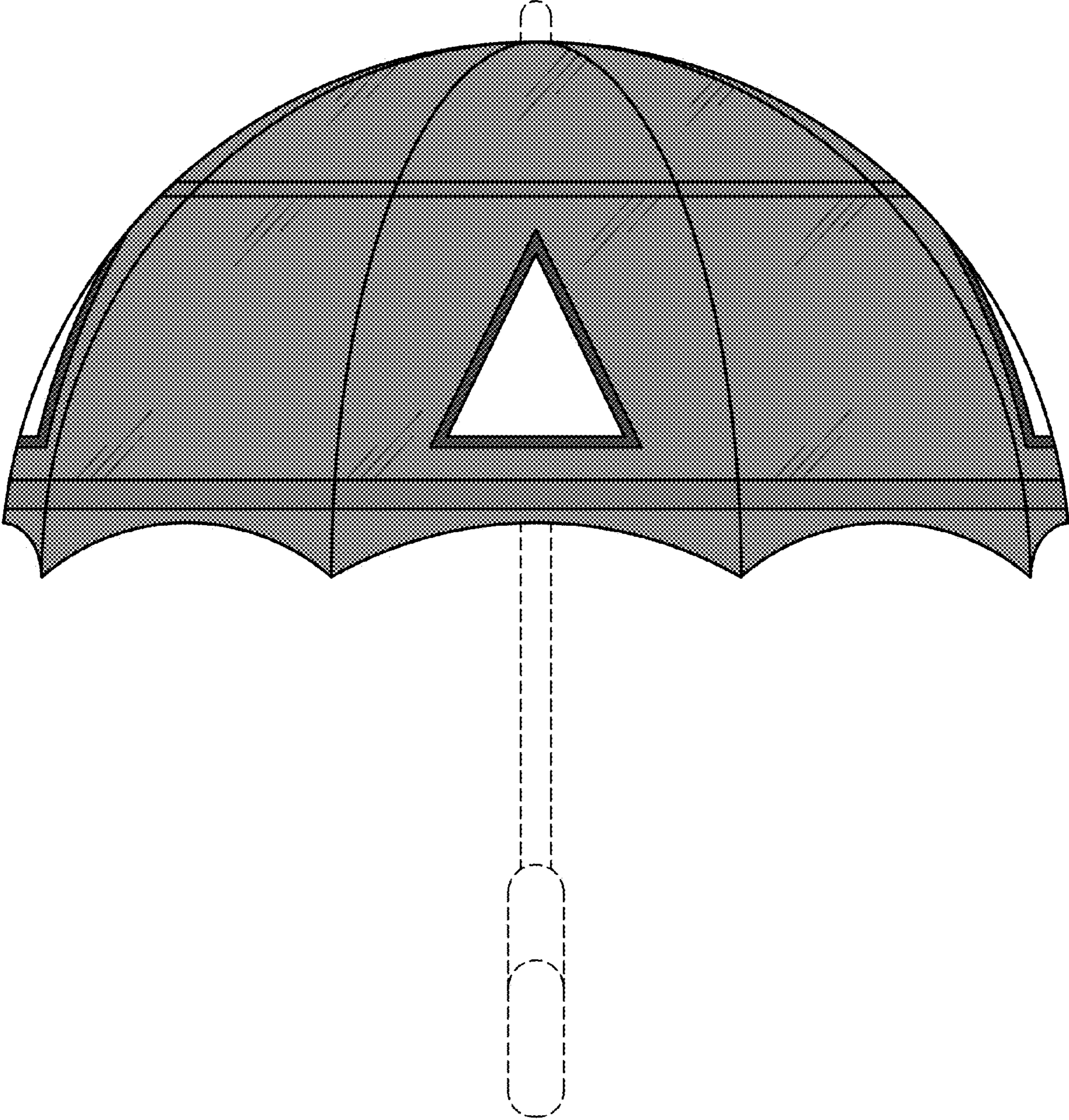


**FIG. 21**

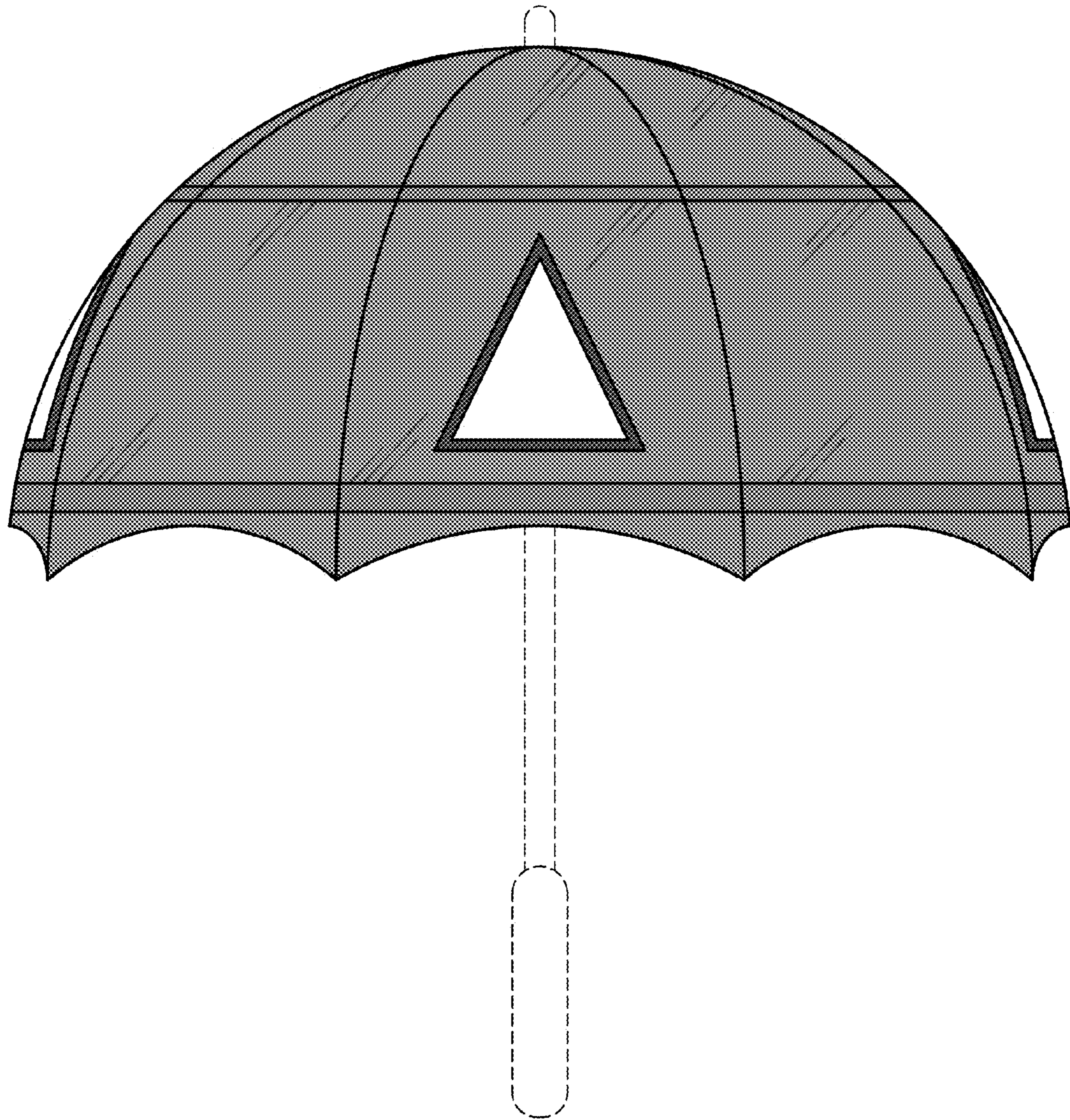


**FIG. 22**

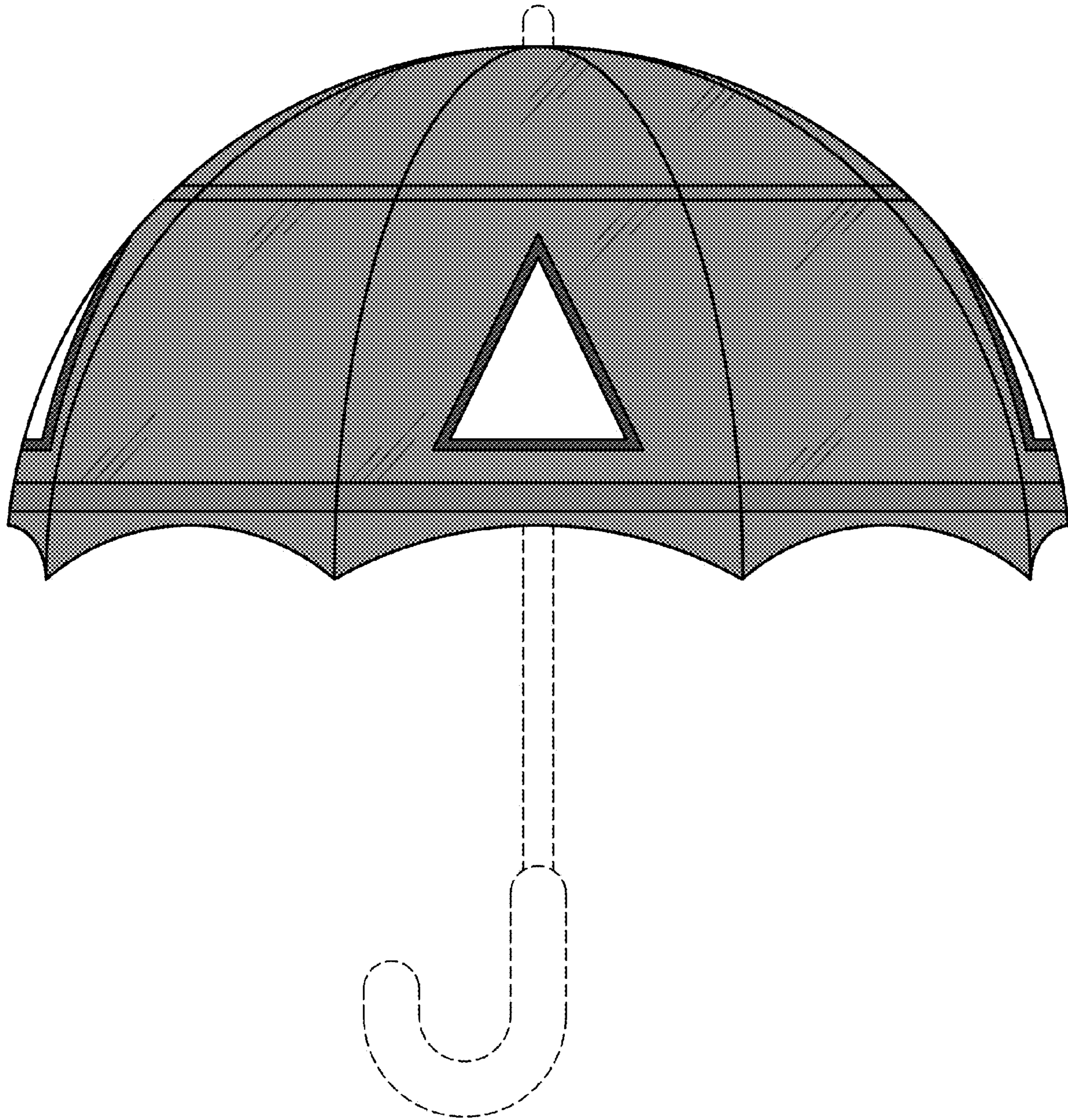




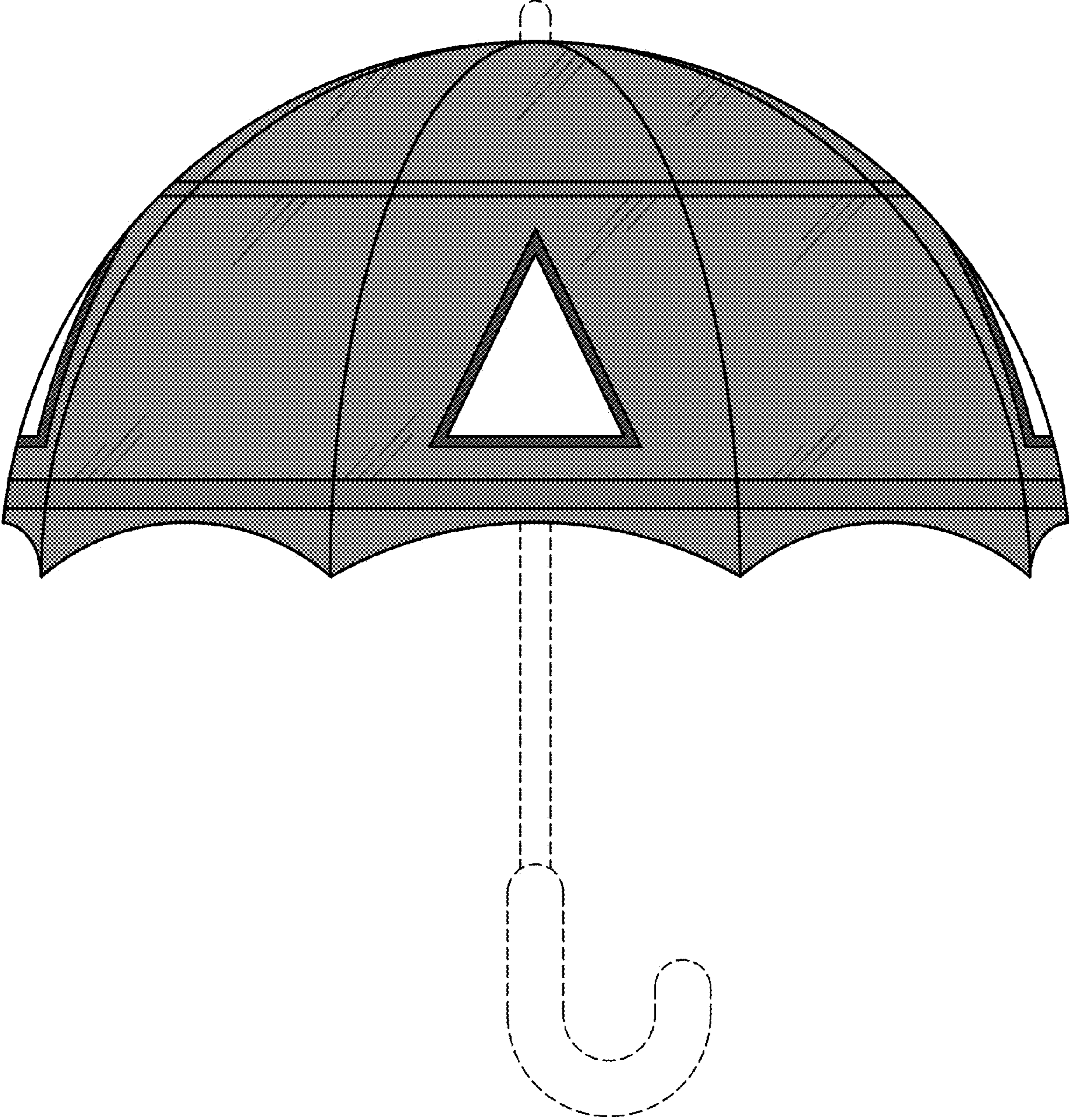
**FIG. 23**



**FIG. 24**



**FIG. 25**



**FIG. 26**

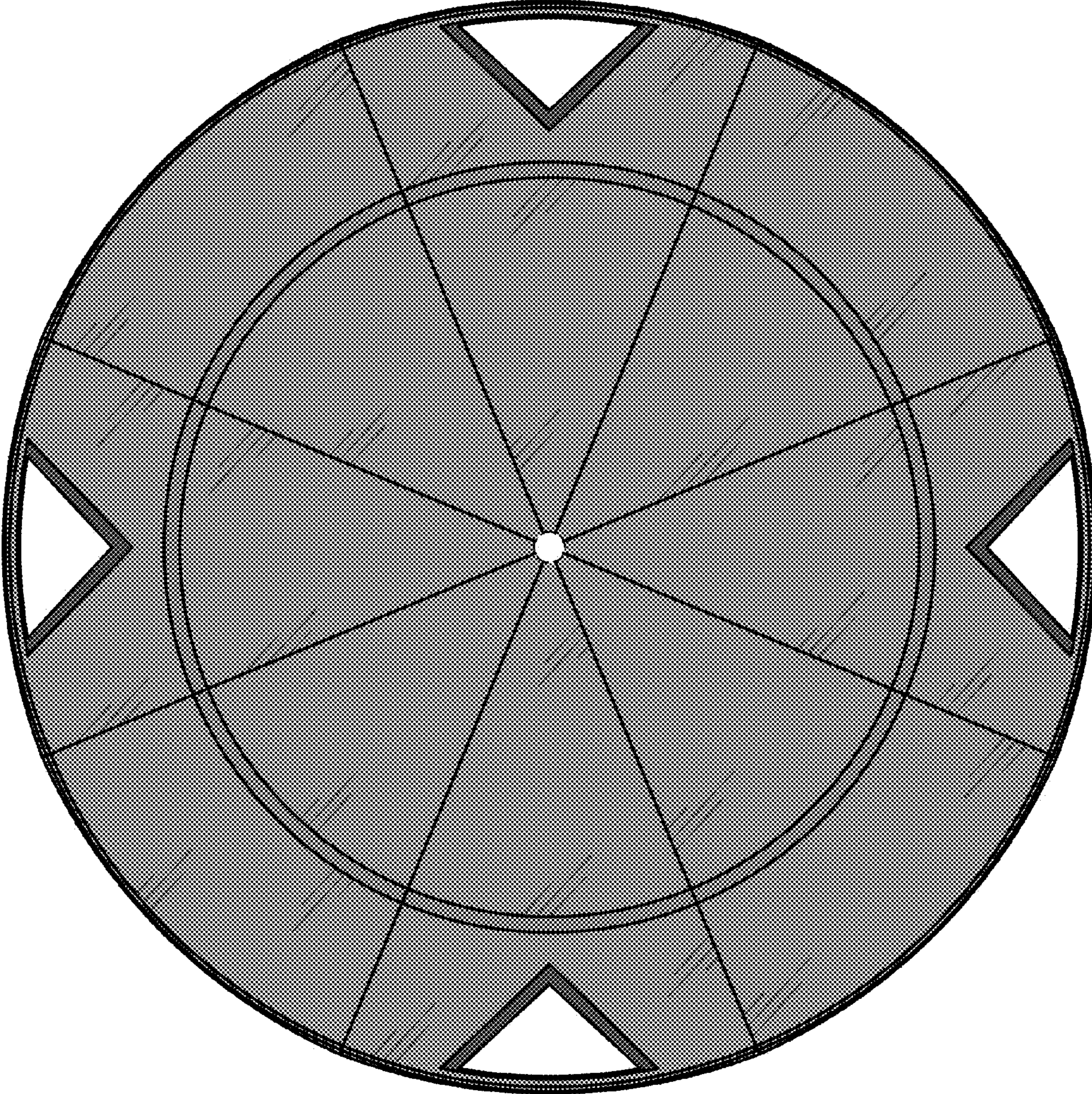
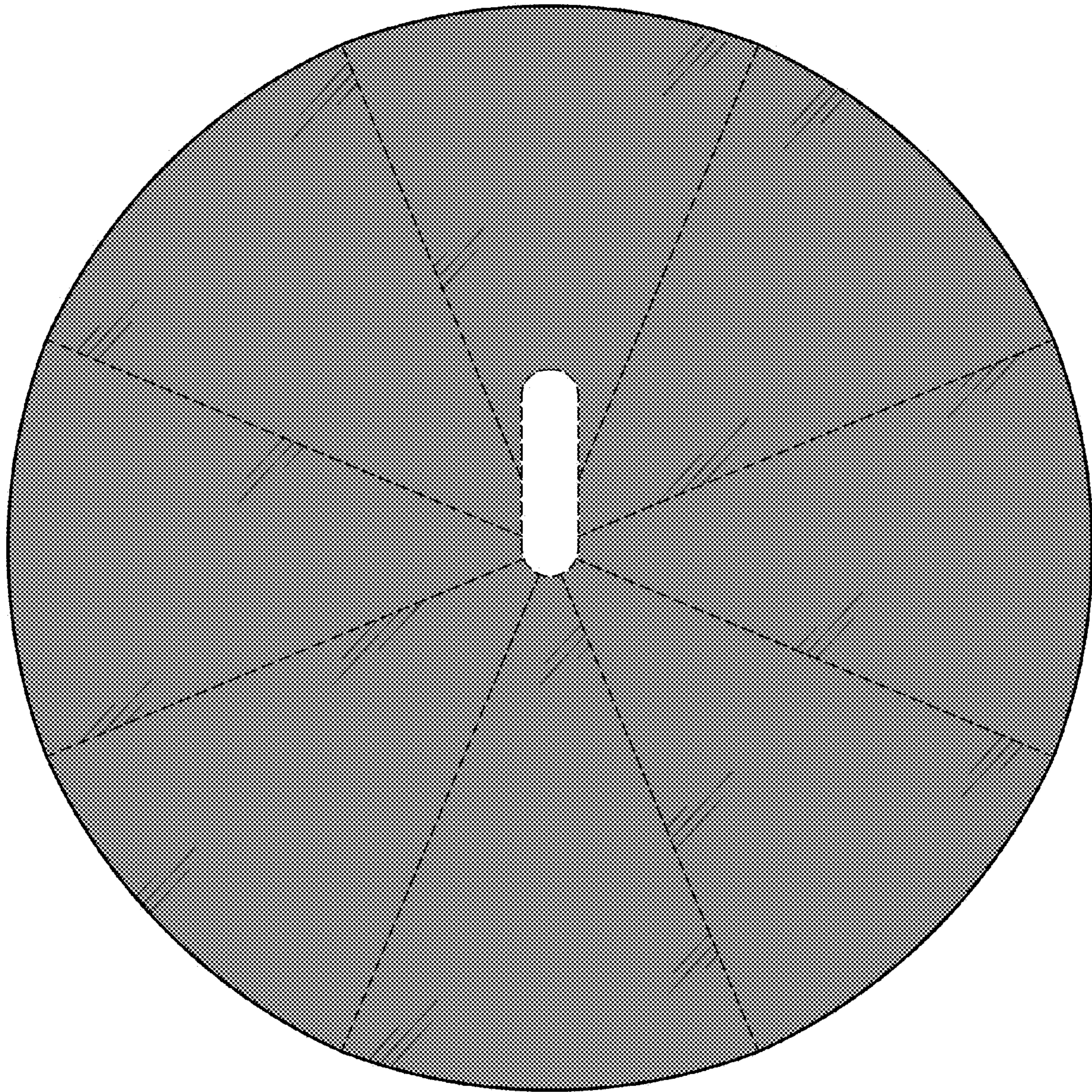
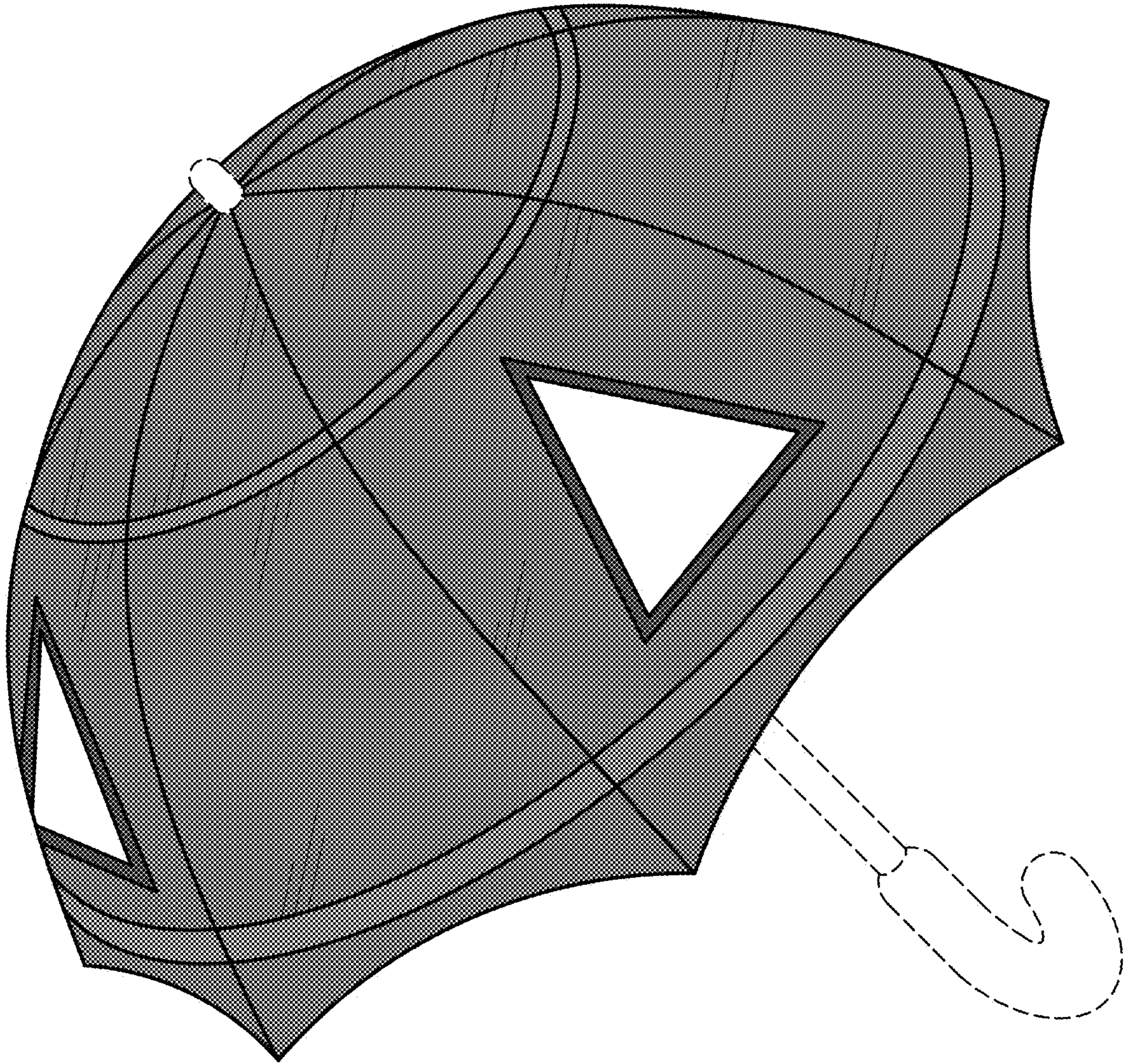


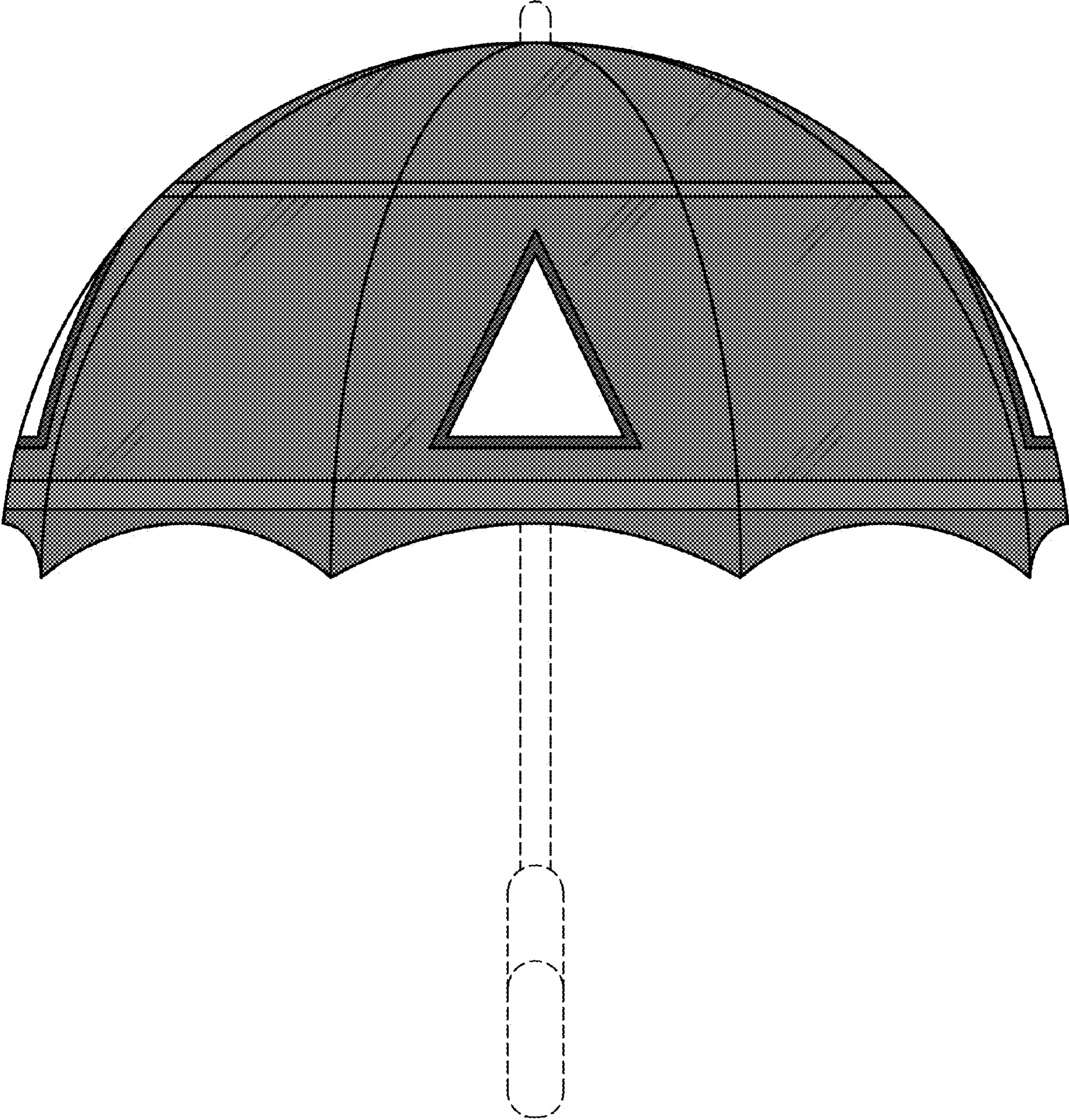
FIG. 27



**FIG. 28**

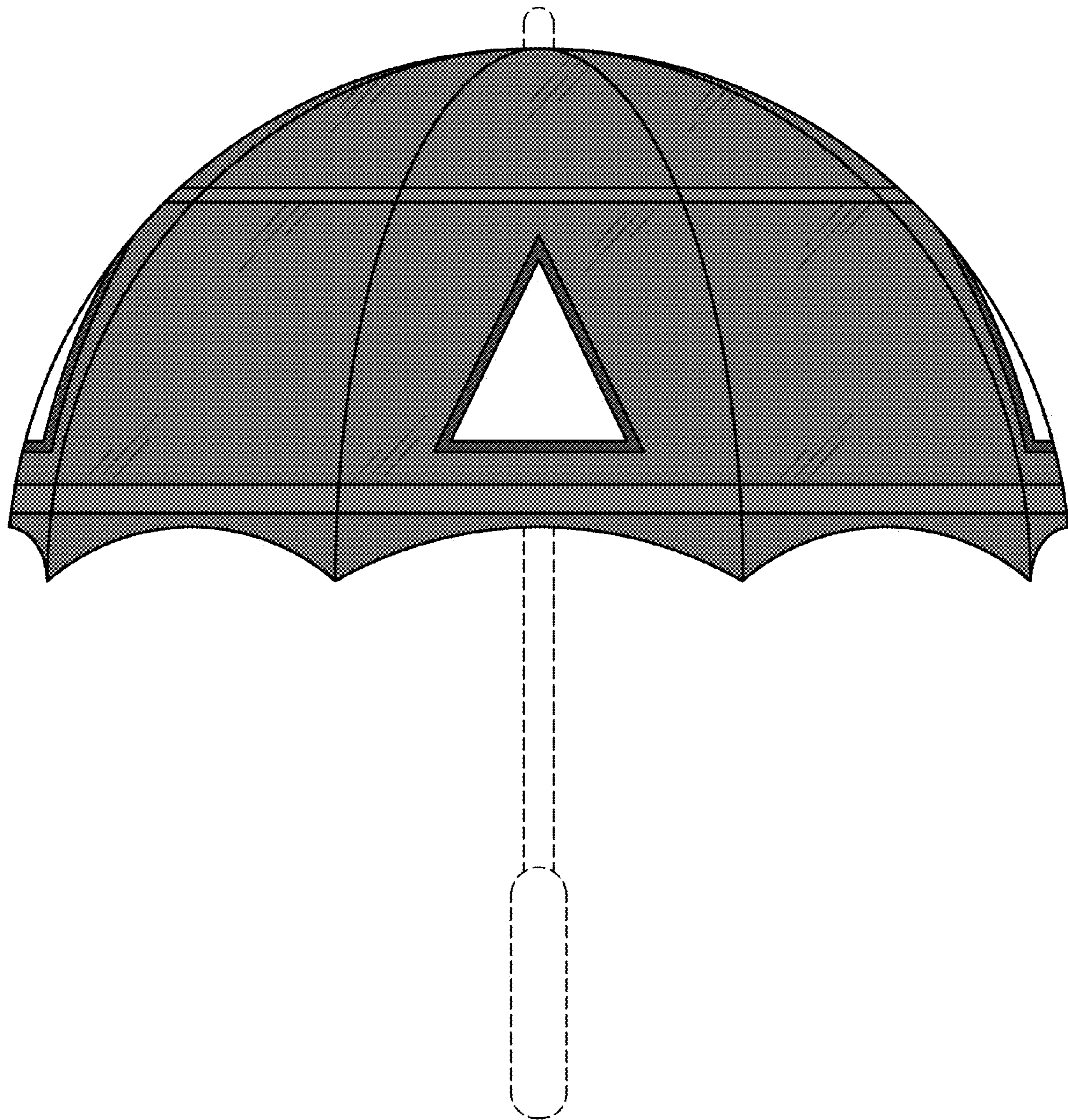


**FIG. 29**

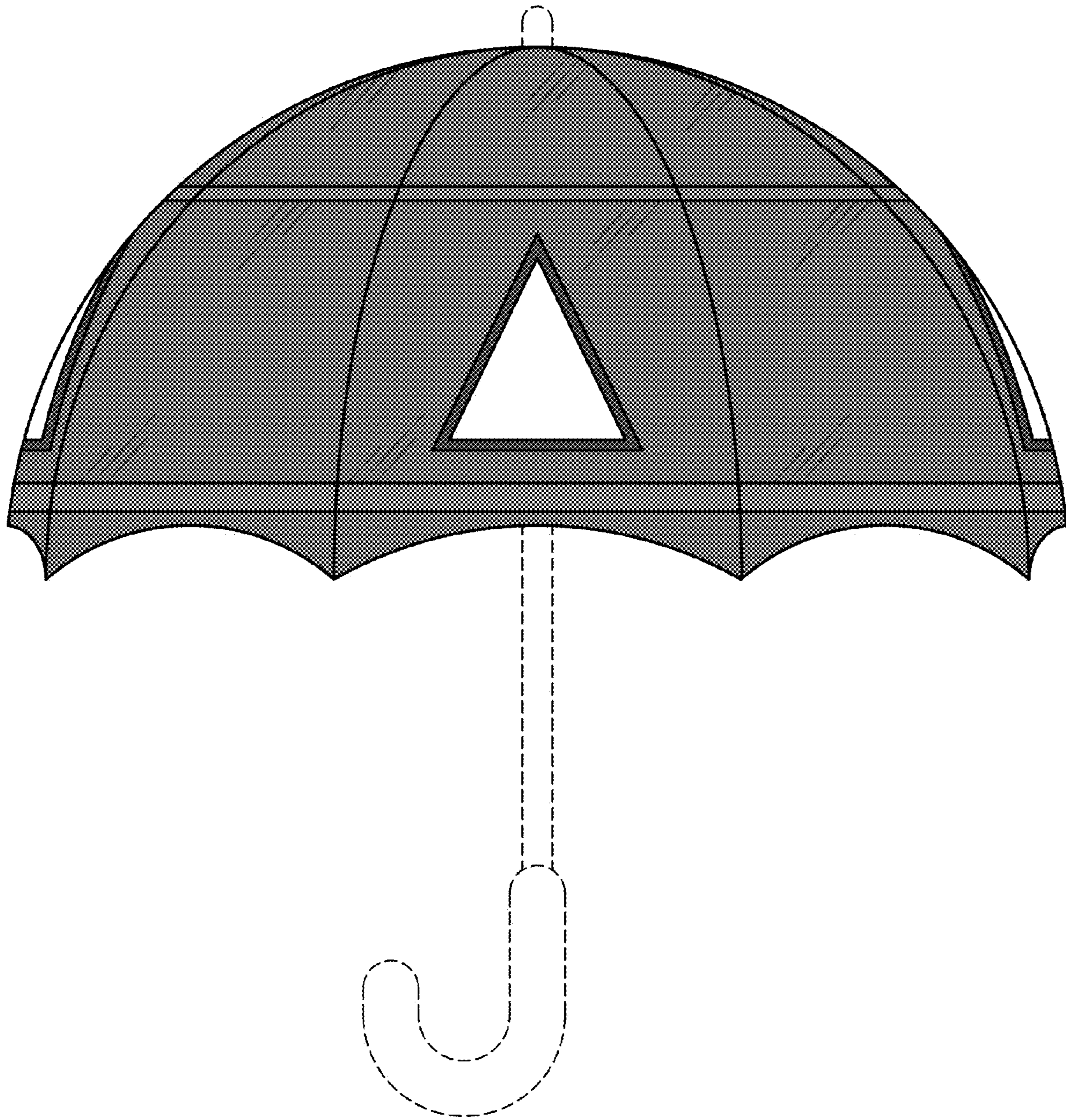


**FIG. 30**

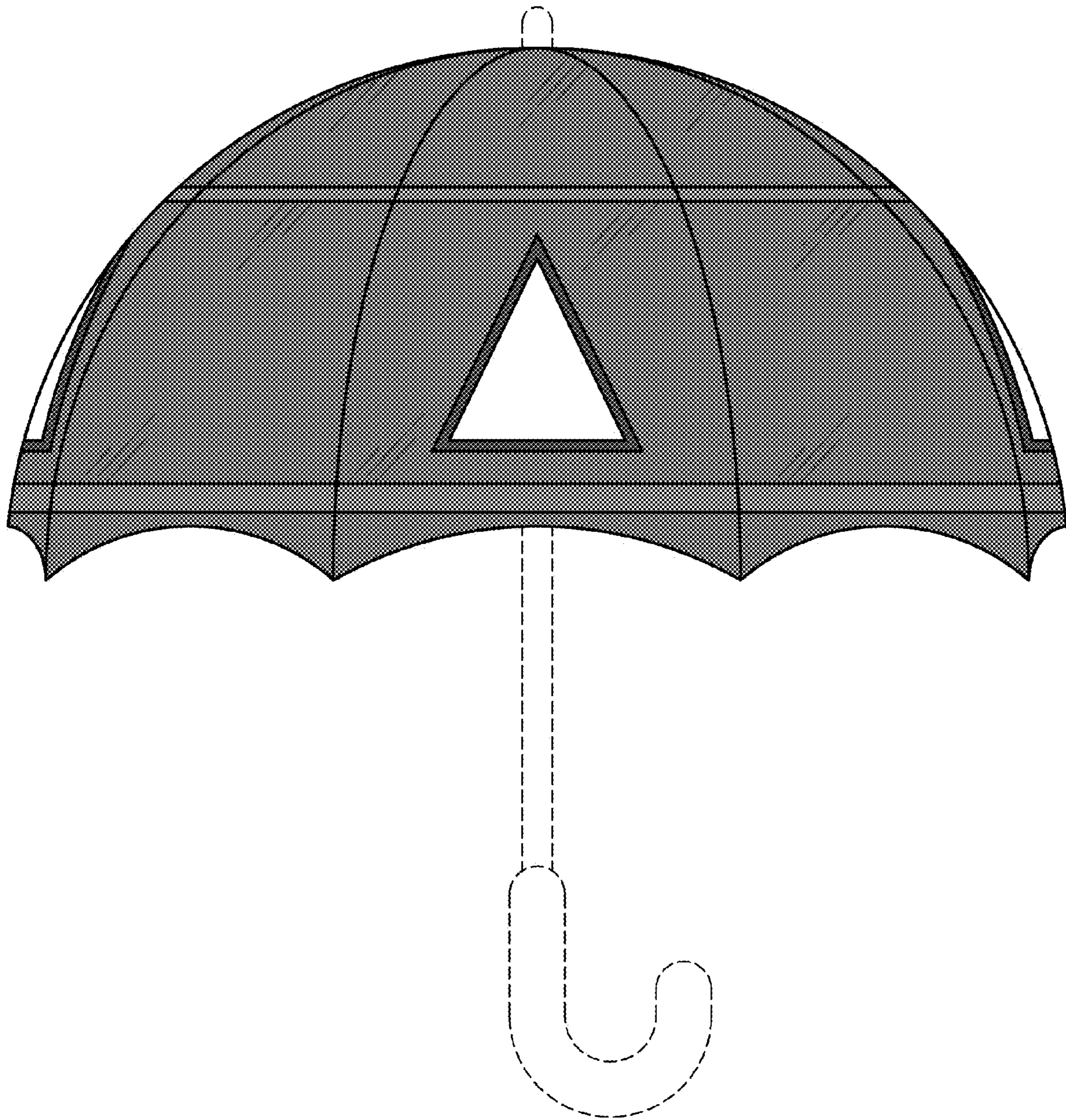




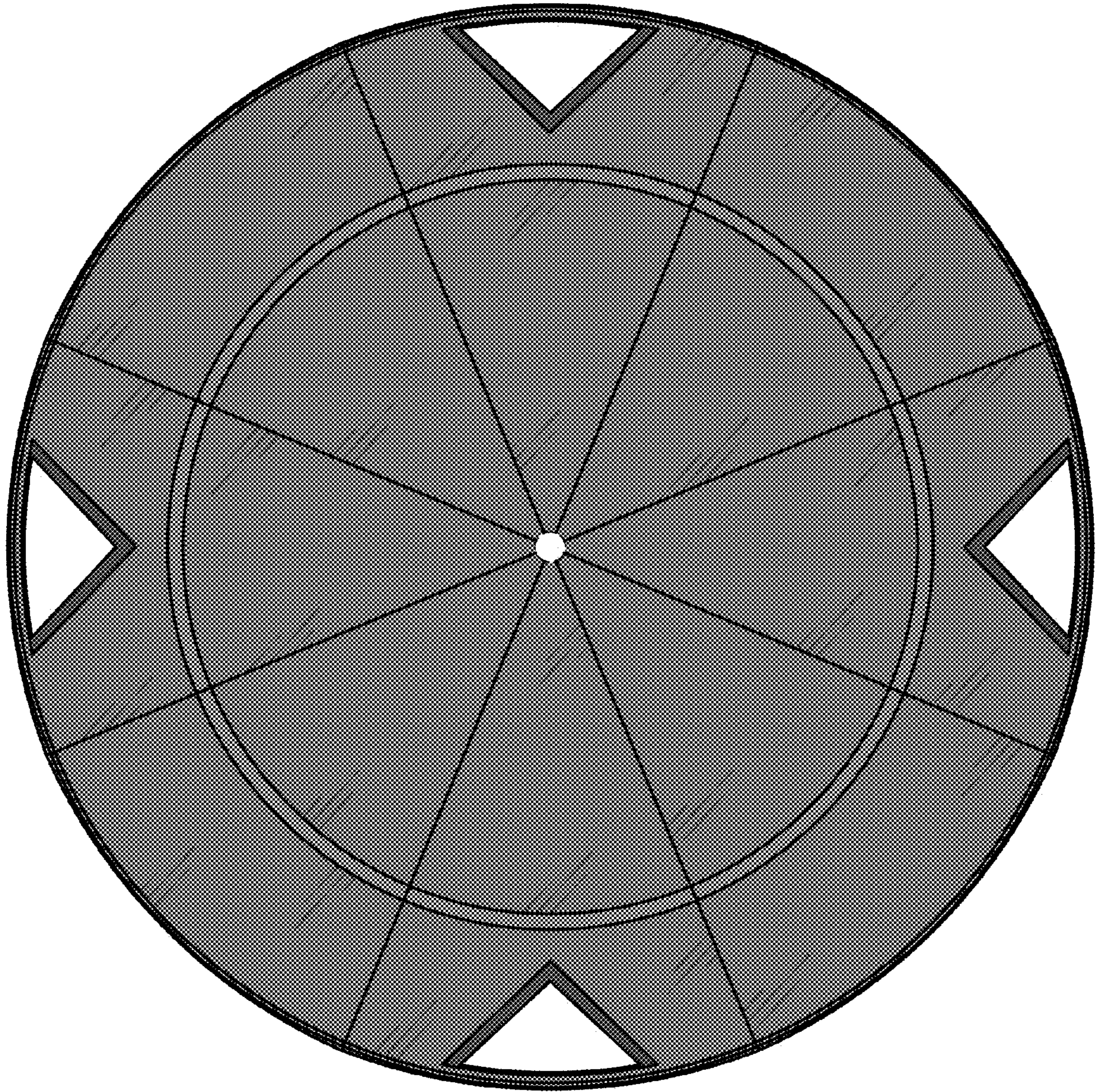
**FIG. 31**



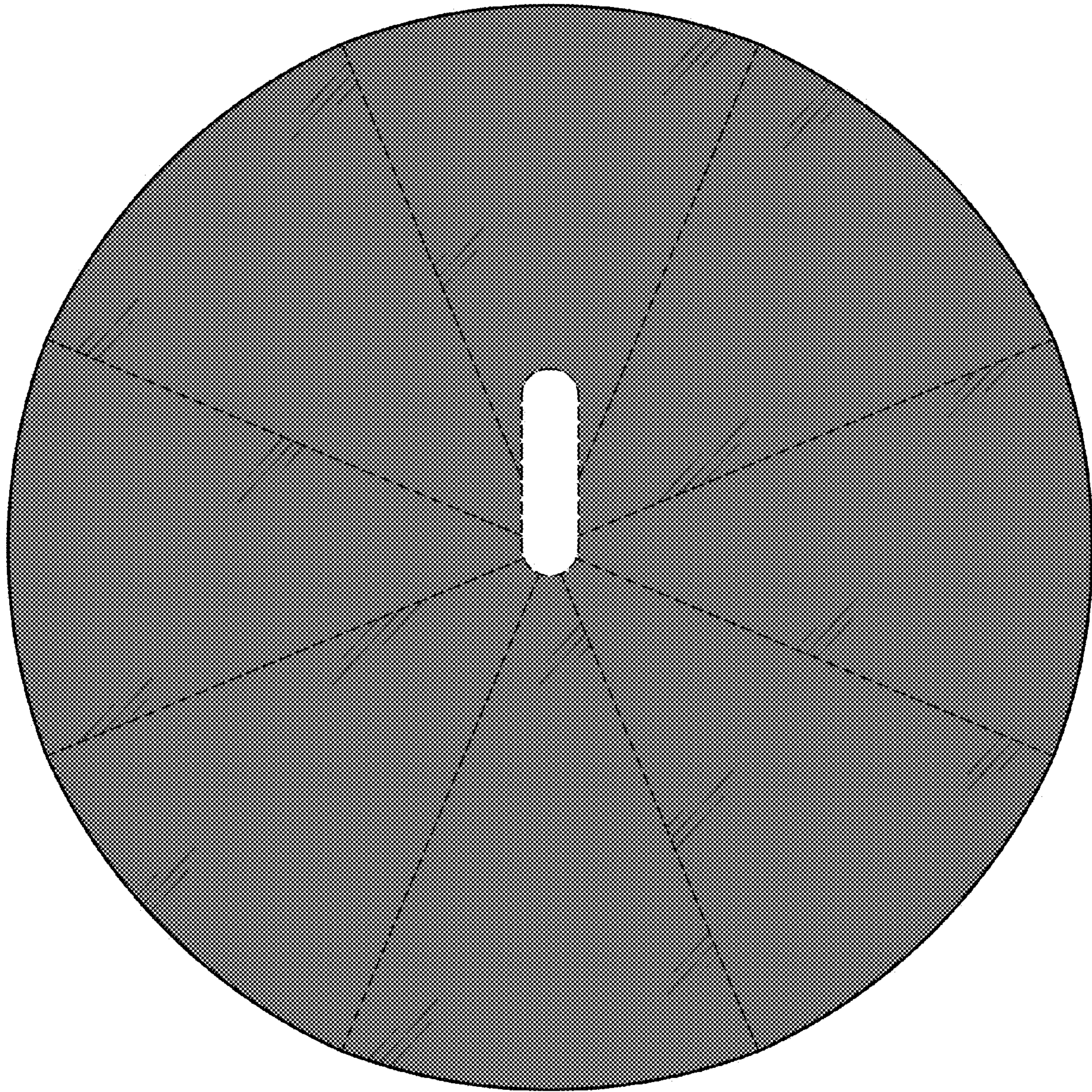
**FIG. 32**



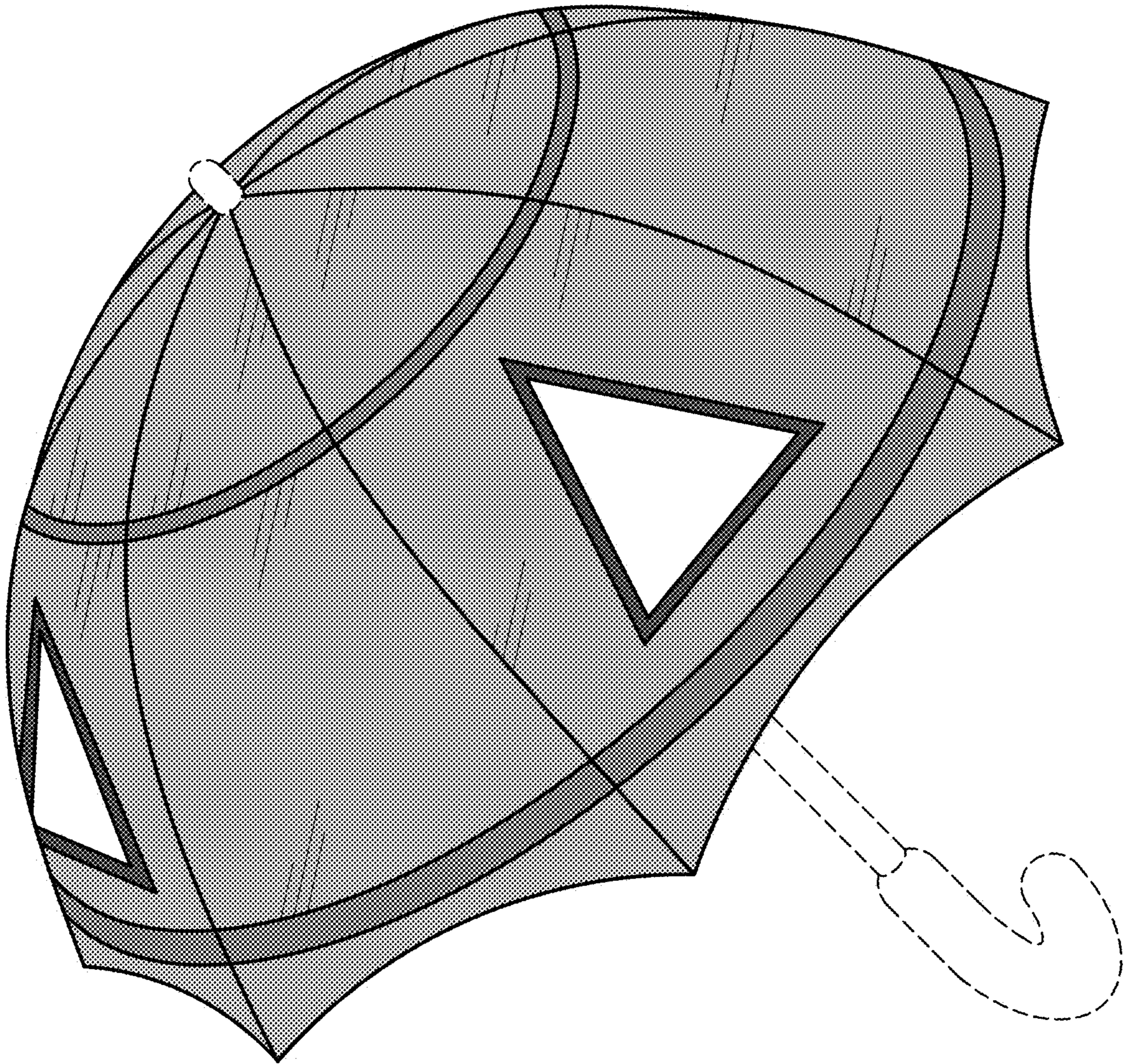
**FIG. 33**



**FIG. 34**



**FIG. 35**



**FIG. 36**

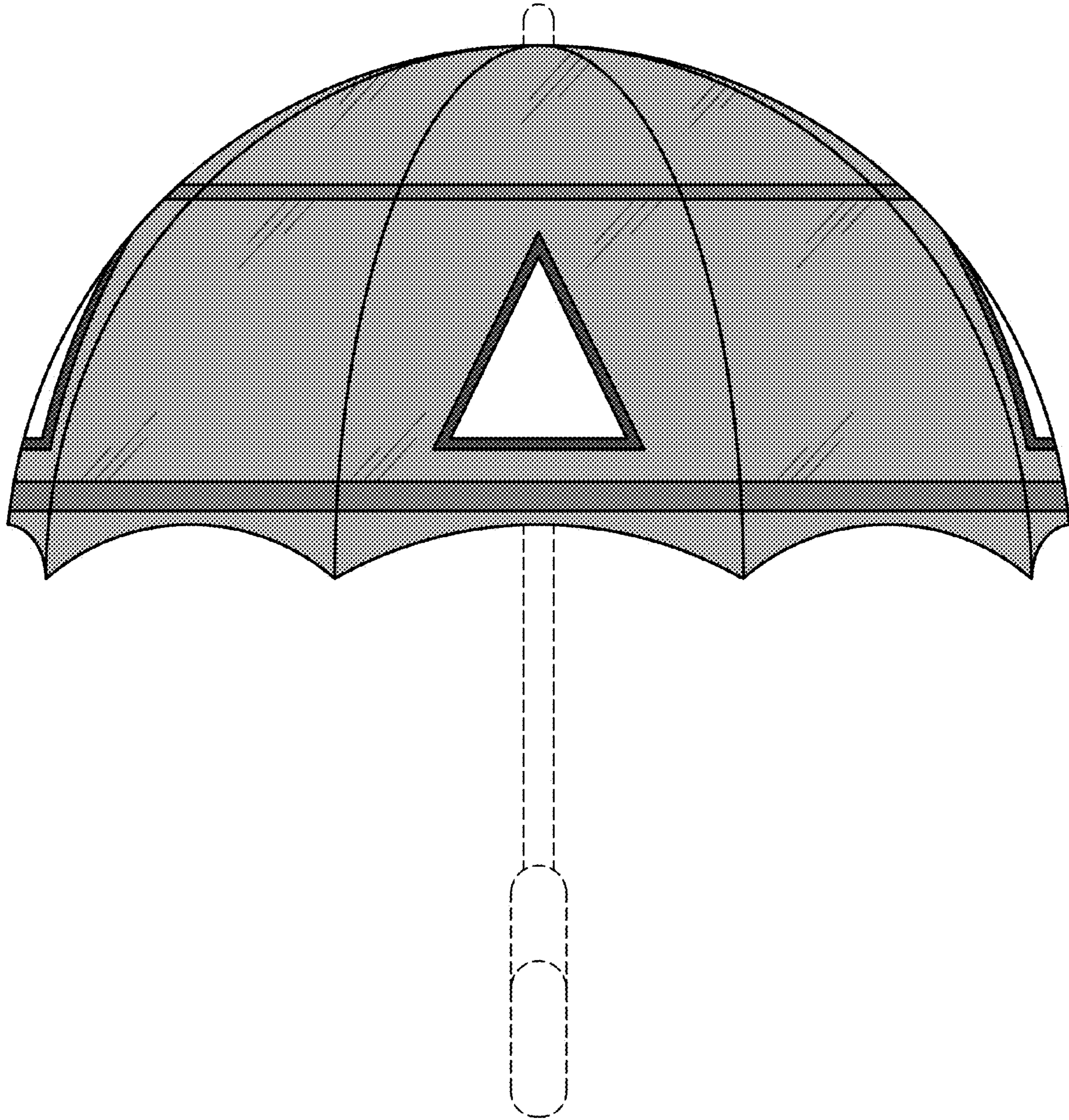
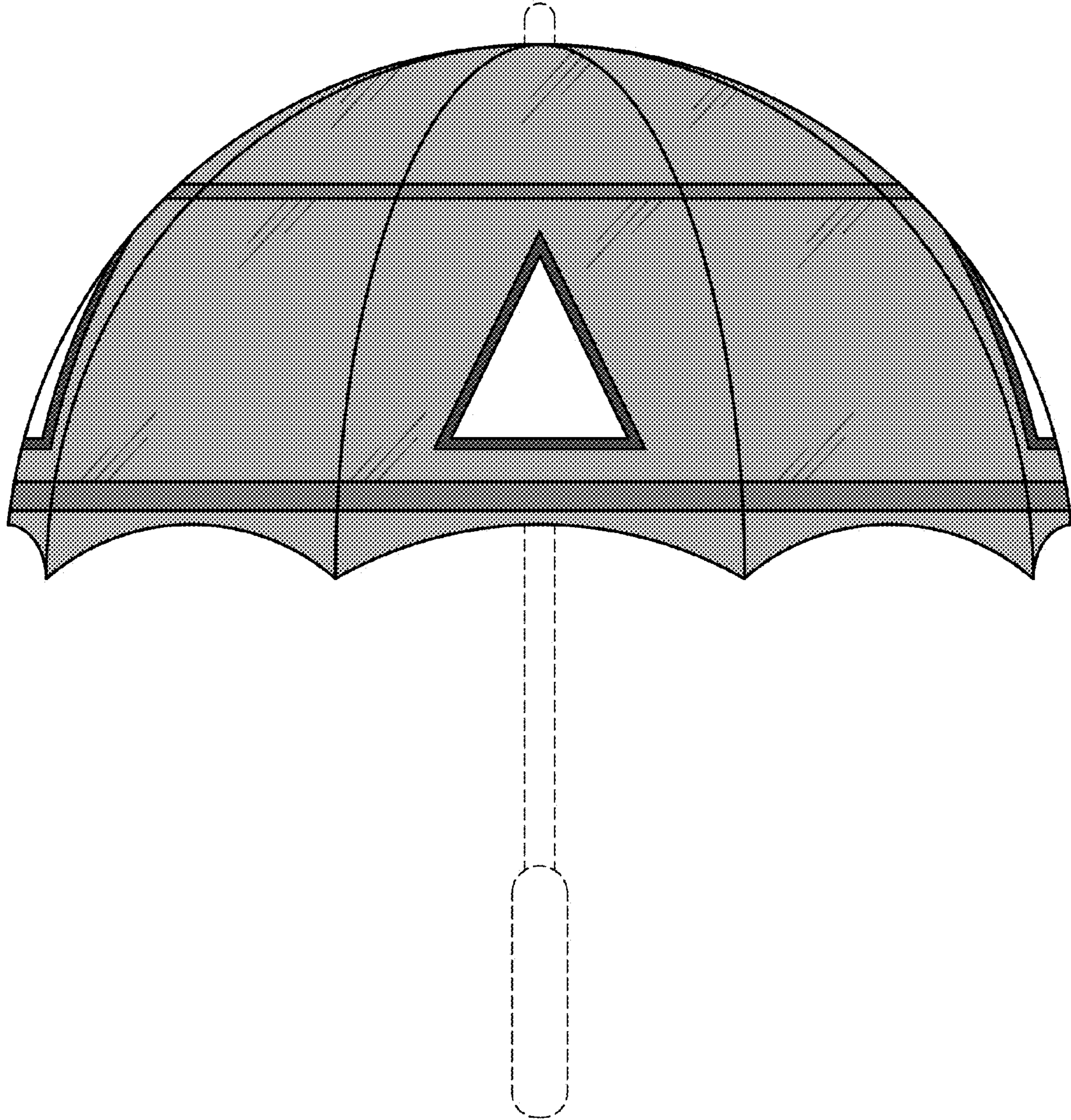
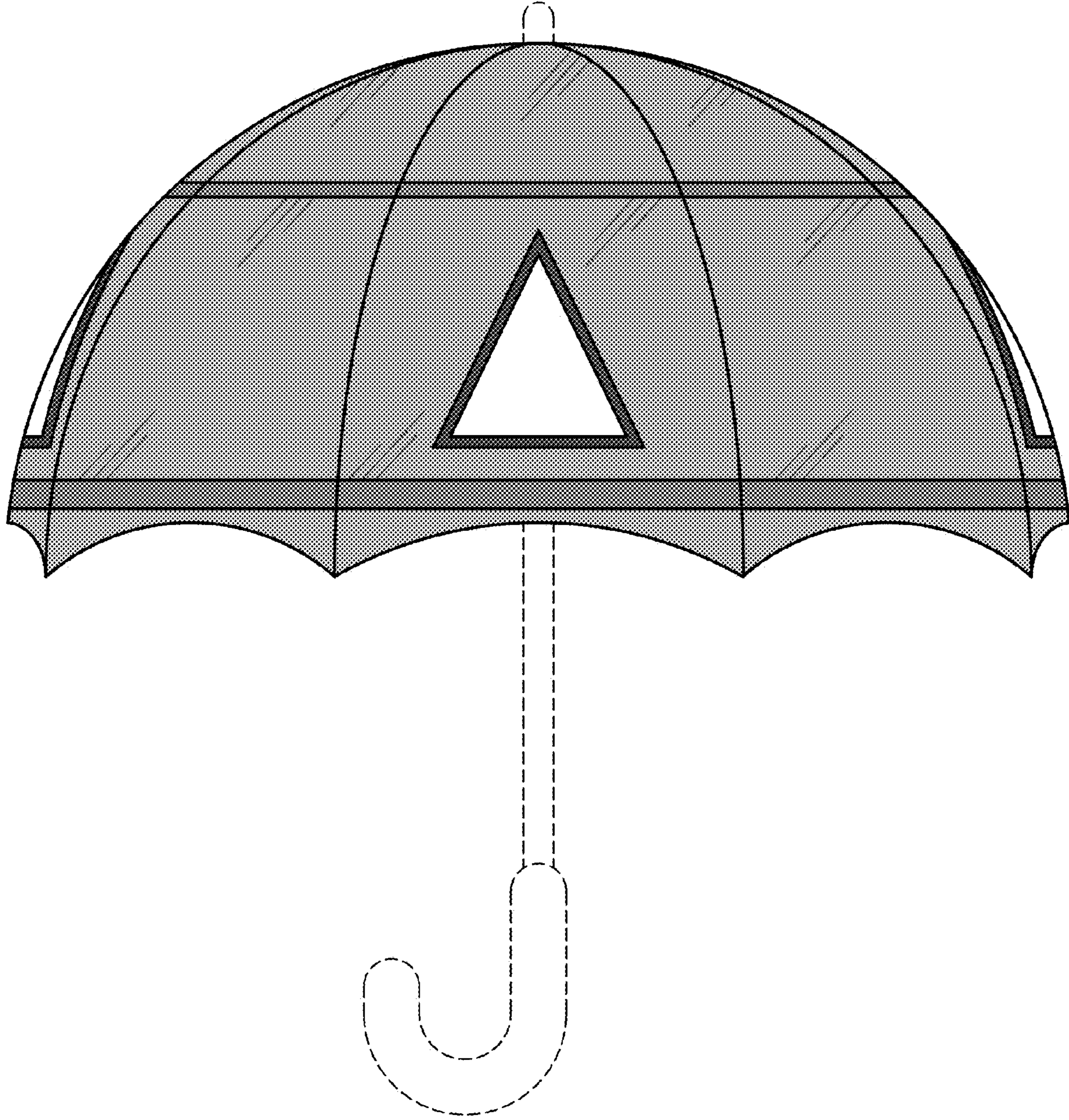


FIG. 37



**FIG. 38**





**FIG. 39**

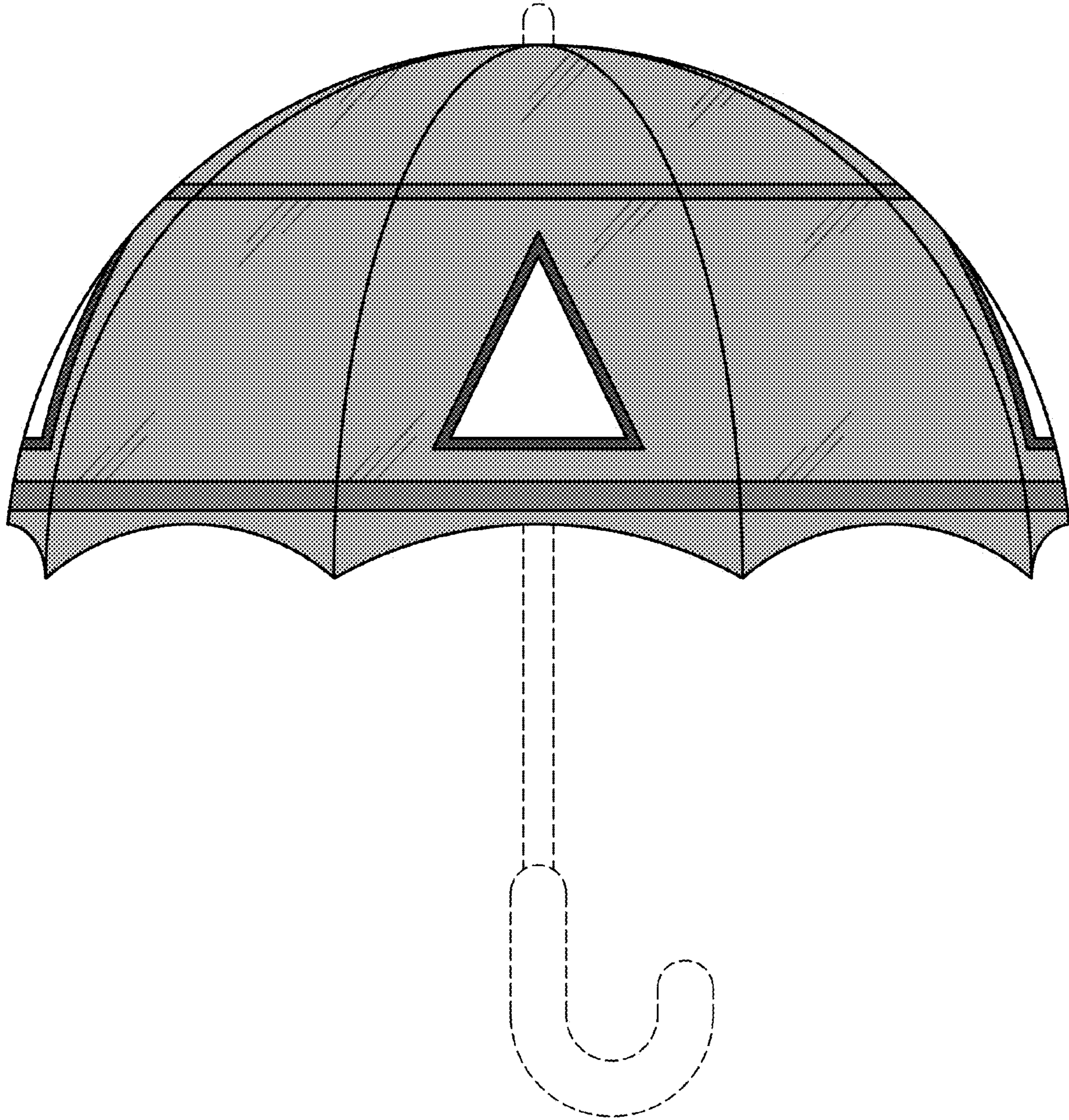
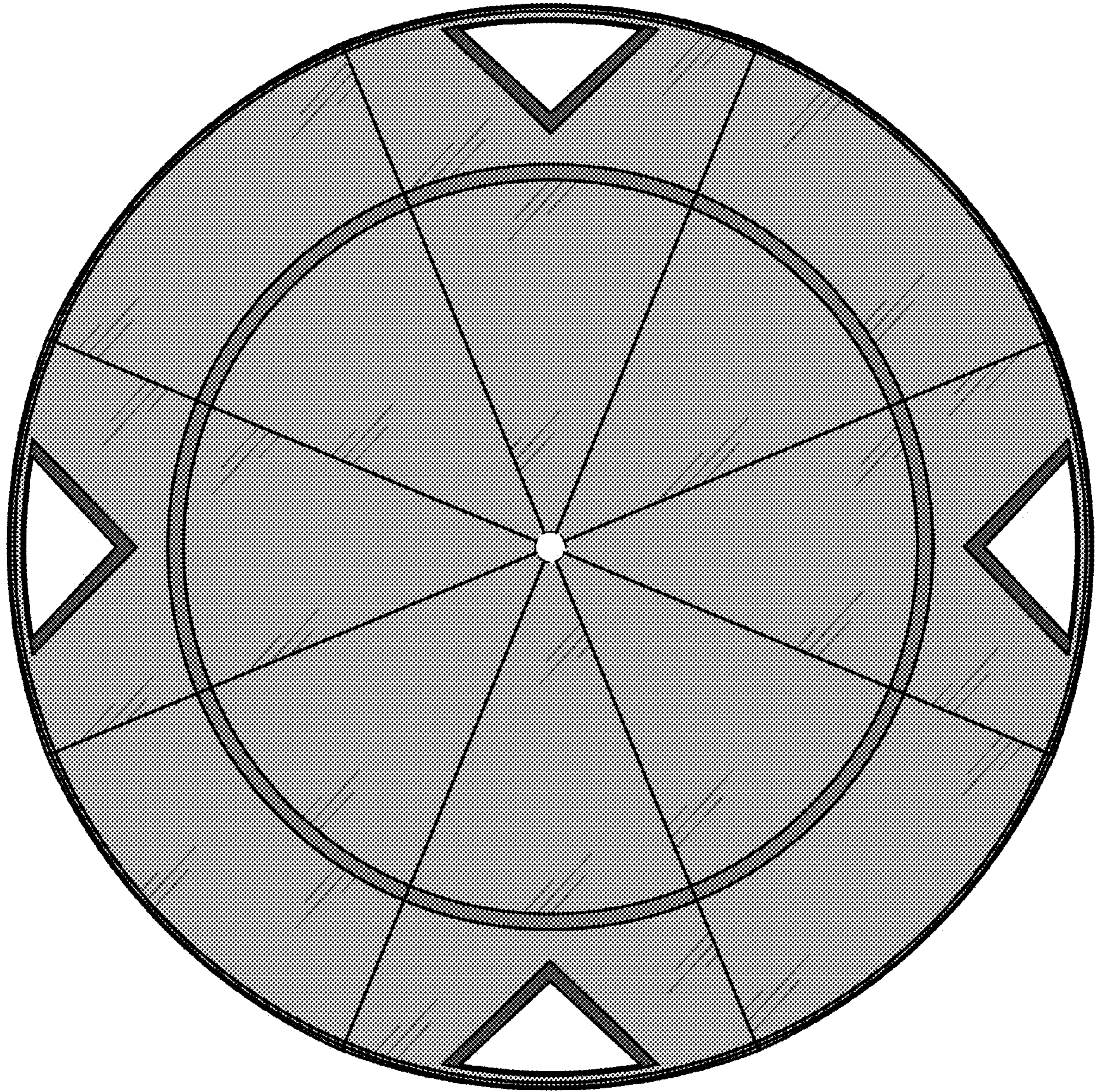


FIG. 40



**FIG. 41**

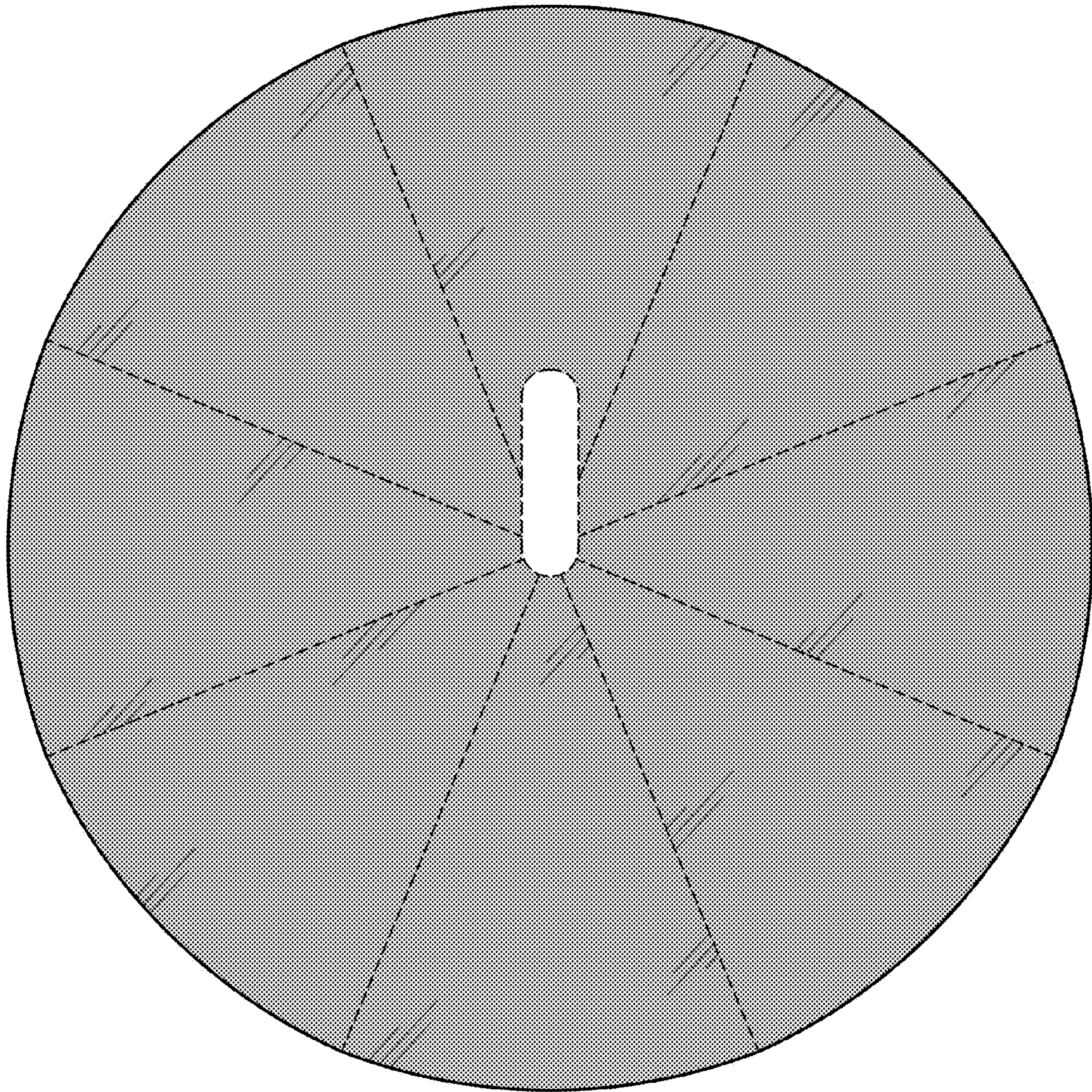


FIG. 42