



US00D949524S

(12) **United States Design Patent**
Huang

(10) **Patent No.:** **US D949,524 S**

(45) **Date of Patent:** **** Apr. 26, 2022**

(54) **TODDLER SANDAL**

(71) Applicant: **Qibo Huang**, Fujian (CN)

(72) Inventor: **Qibo Huang**, Fujian (CN)

(**) Term: **15 Years**

(21) Appl. No.: **29/779,206**

(22) Filed: **Apr. 16, 2021**

(51) **LOC (13) Cl.** **02-04**

(52) **U.S. Cl.**
USPC **D2/900; D2/916**

(58) **Field of Classification Search**
USPC D2/896–900, 916–925, 940, 943, 946,
D2/950–953, 961

CPC A43B 3/12; A43B 3/10; A43B 3/30; A43B
3/122; A43B 3/124; A43B 3/126

See application file for complete search history.

(56) **References Cited**

U.S. PATENT DOCUMENTS

D296,608 S *	7/1988	Maciel	D2/916
D332,517 S *	1/1993	Middleton	D2/916
D346,271 S *	4/1994	McDonald	D2/916
D348,763 S *	7/1994	Judd	D2/916

D363,814 S *	11/1995	Tsujino	D2/916
D375,615 S *	11/1996	McDonald	D2/916
D376,895 S *	12/1996	Cook	D2/916
D757,405 S *	5/2016	Labarbera	D2/916
D867,731 S *	11/2019	Steele	D2/916
D869,825 S	12/2019	Ellis	
D874,101 S	2/2020	Post et al.	

* cited by examiner

Primary Examiner — Rashida C. Walshon

(74) *Attorney, Agent, or Firm* — ScienBiziP, P.C.

(57) **CLAIM**

The ornamental design for a toddler sandal, as shown and described.

DESCRIPTION

FIG. 1 is a front, right, and top perspective view of a toddler sandal, showing my design.

FIG. 2 is a rear, left, and bottom perspective view thereof.

FIG. 3 is a front elevation view thereof.

FIG. 4 is a rear elevation view thereof.

FIG. 5 is a left side elevation view thereof.

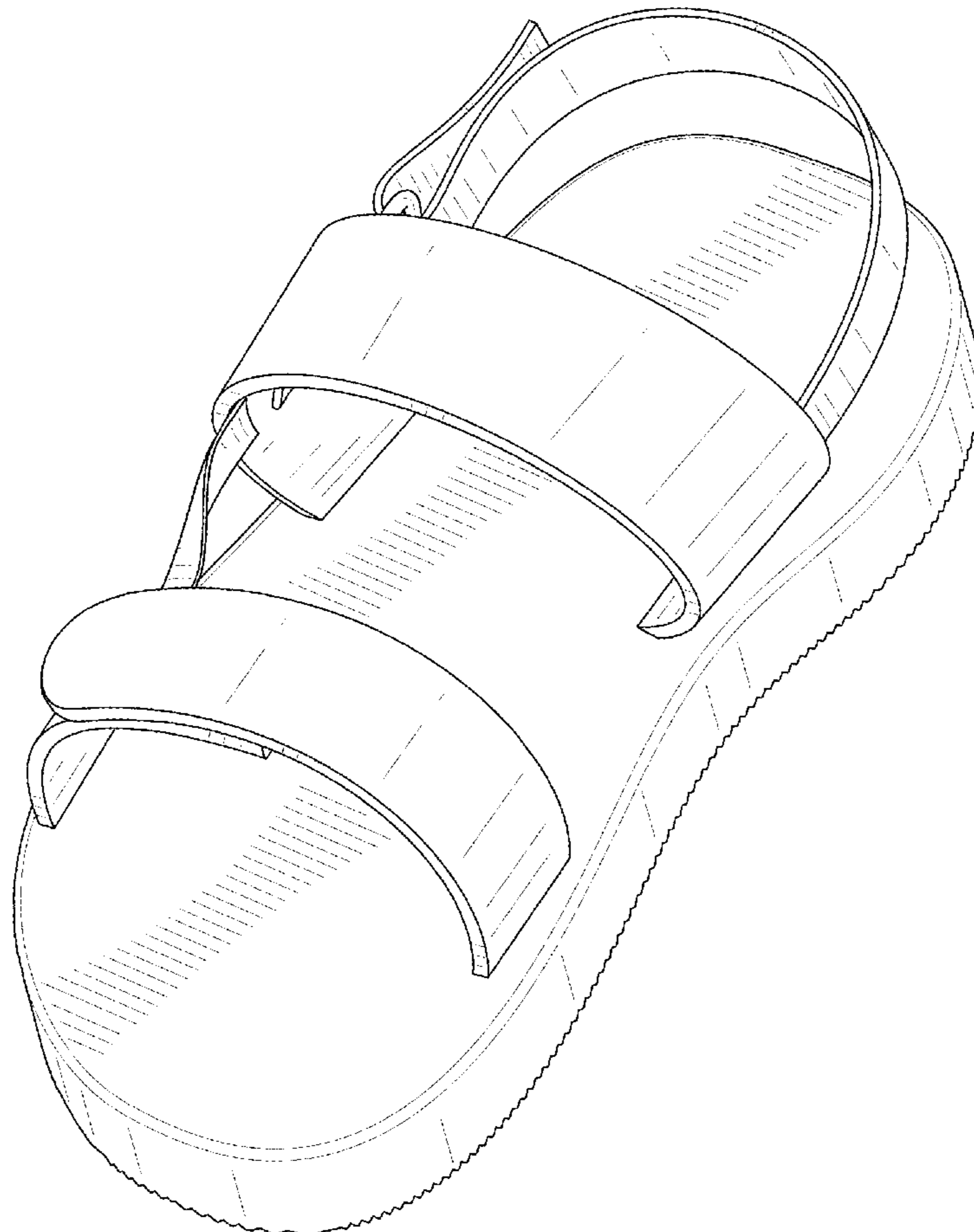
FIG. 6 is a right side elevation view thereof.

FIG. 7 is a top plan view thereof; and,

FIG. 8 is a bottom plan view thereof.

A toddler sandal for a left foot is a mirror image of the toddler sandal for a right foot as shown in FIGS. 1 to 8.

1 Claim, 8 Drawing Sheets



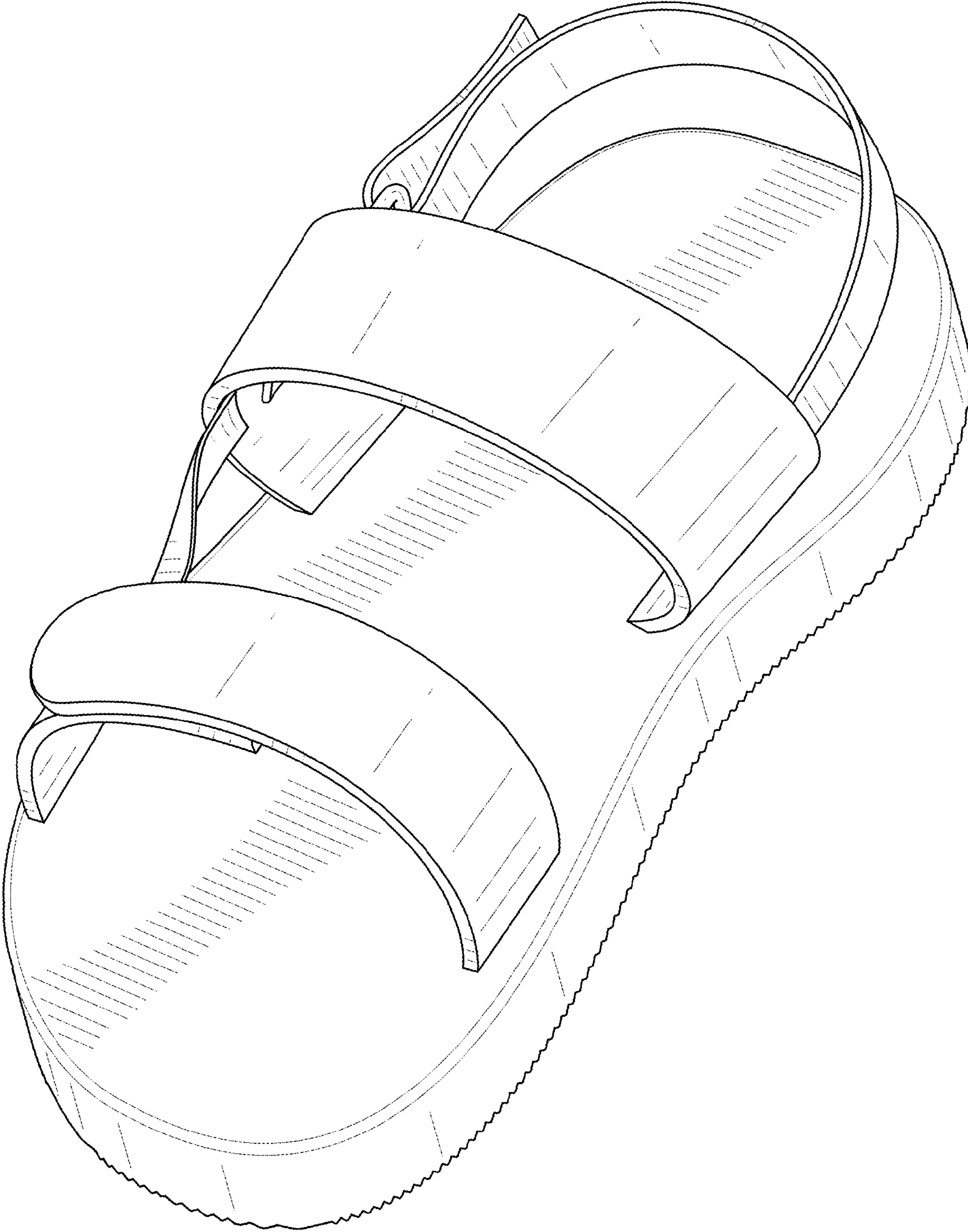


FIG.1

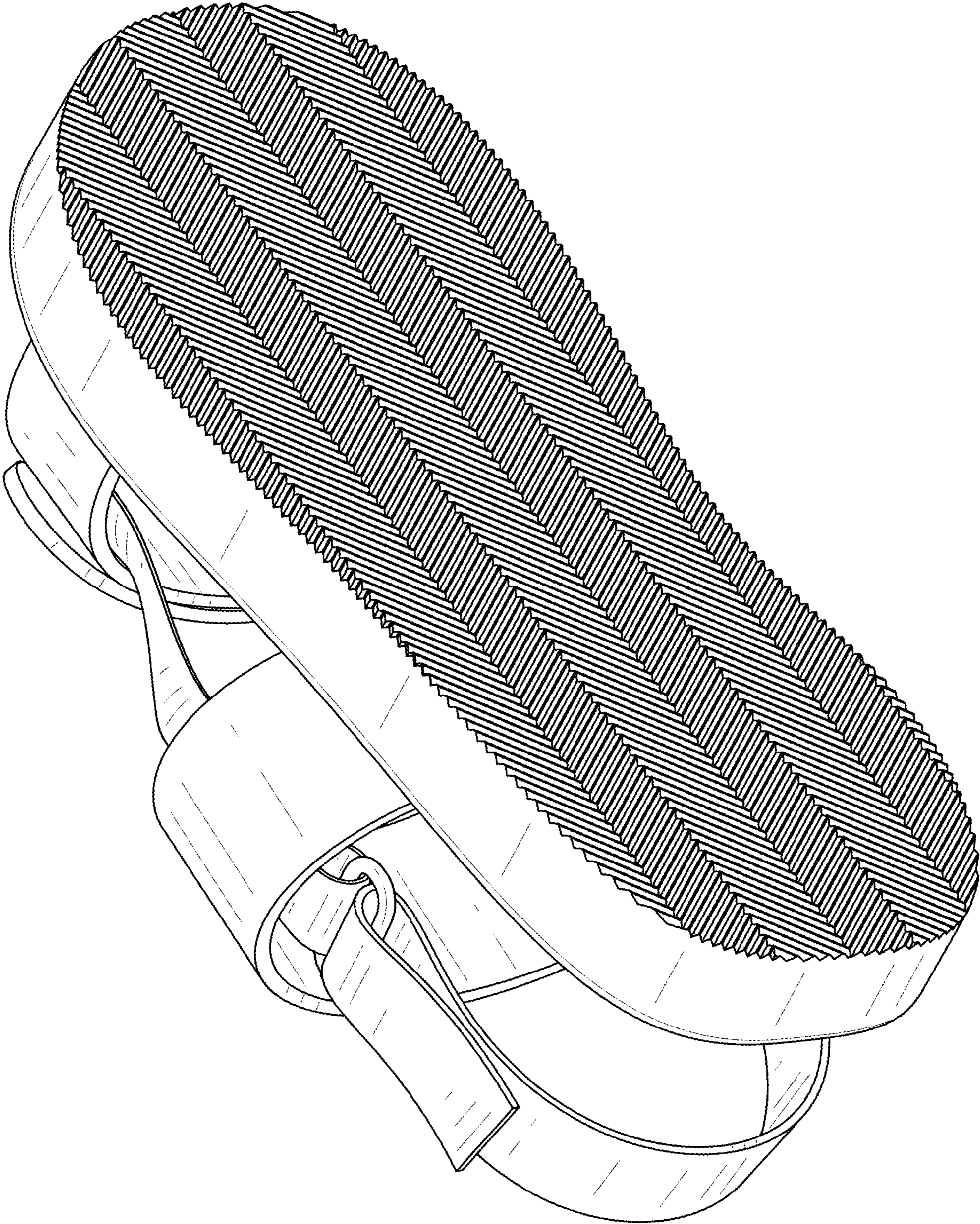


FIG.2

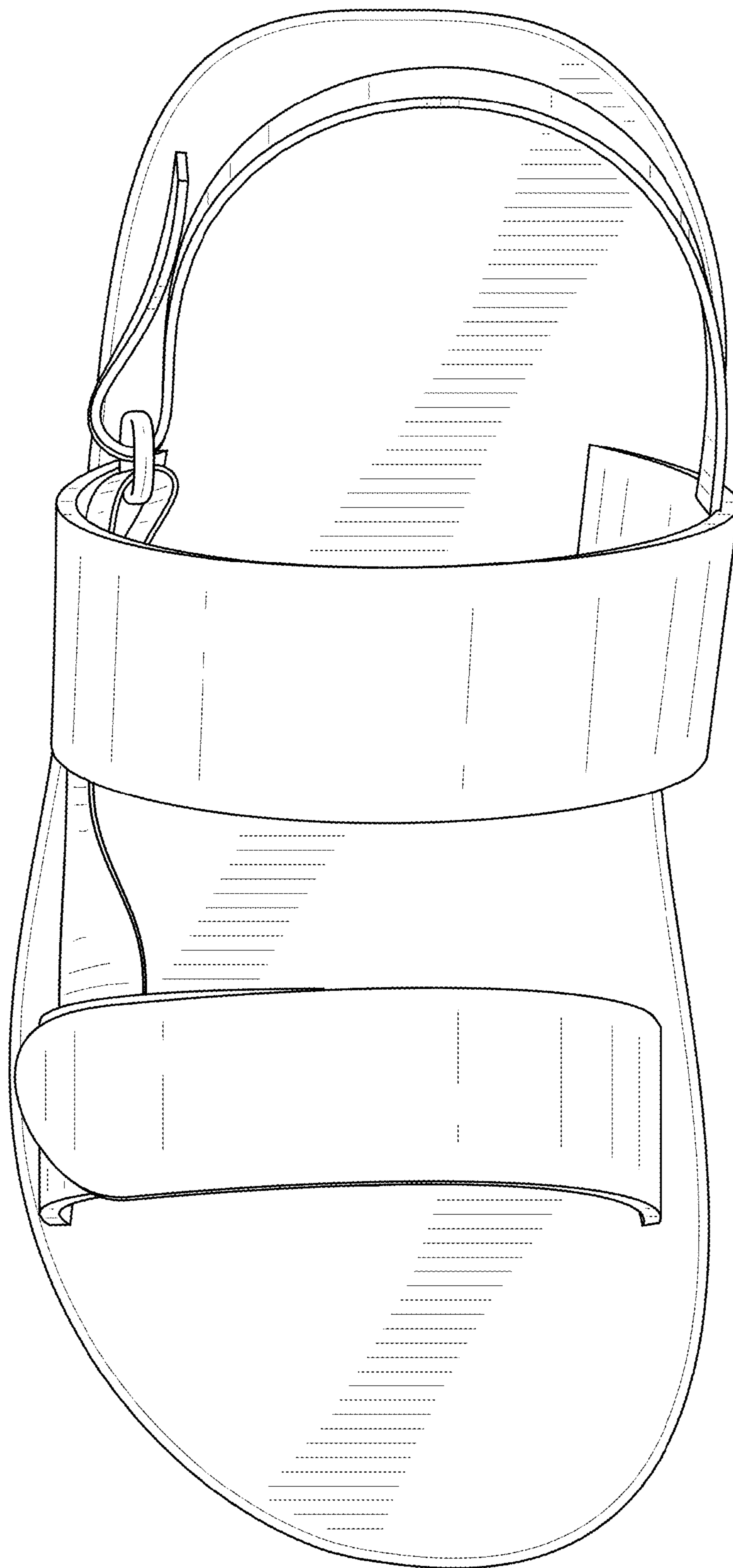


FIG.3

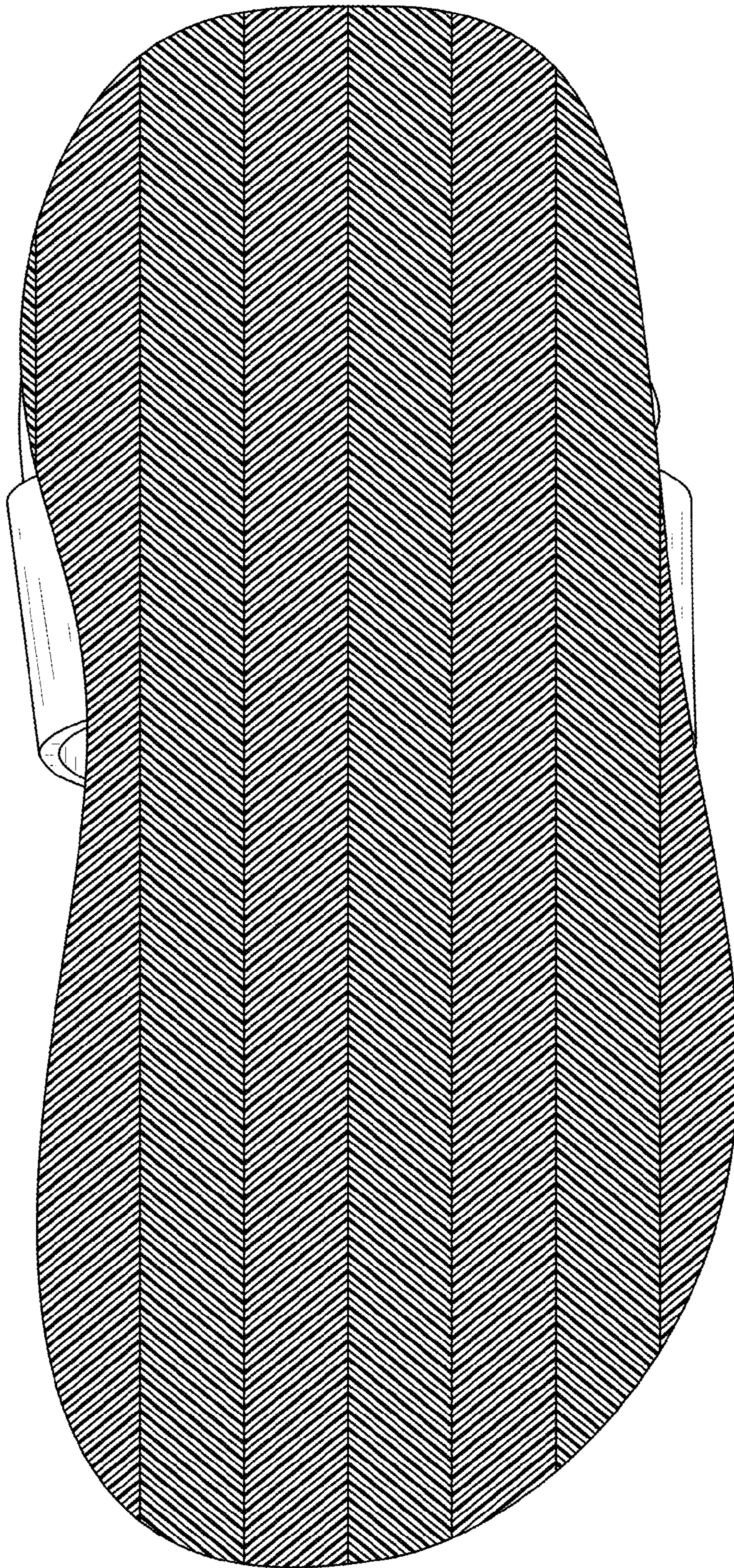


FIG.4

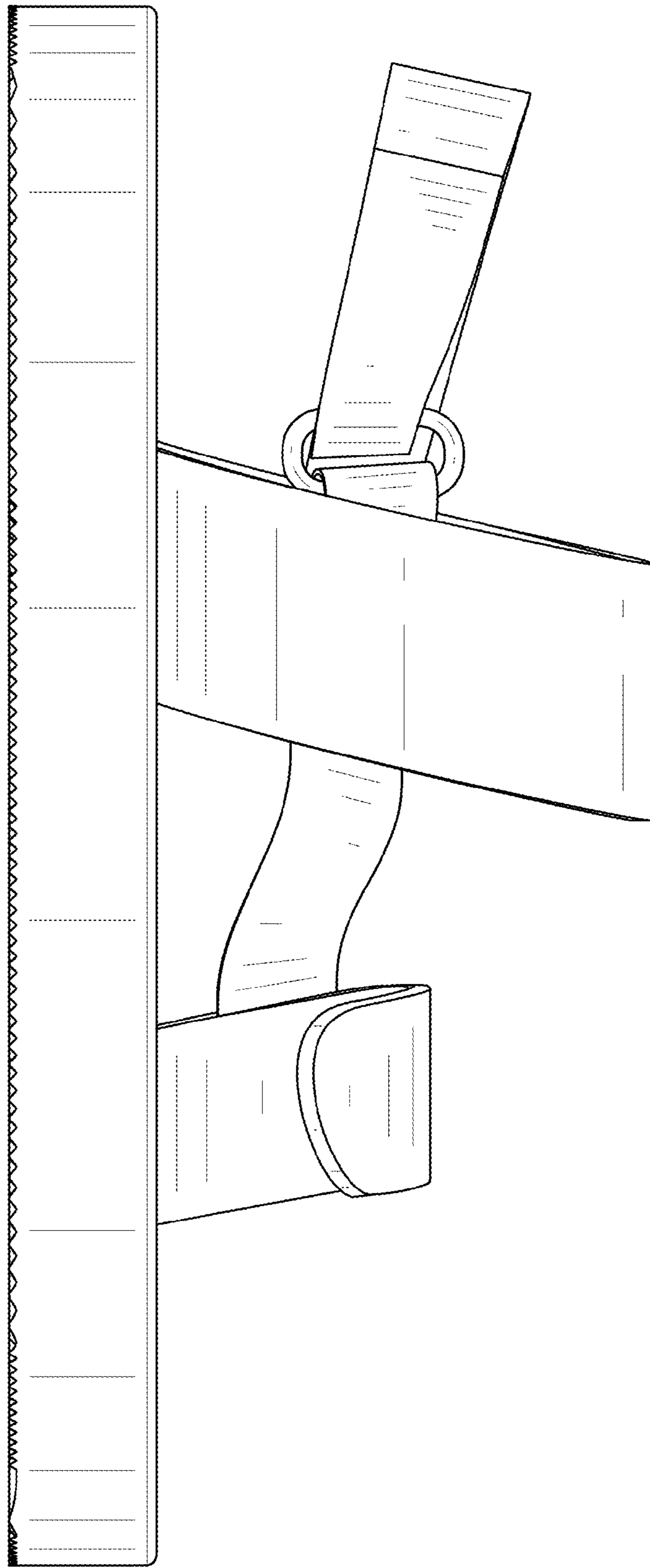


FIG.5

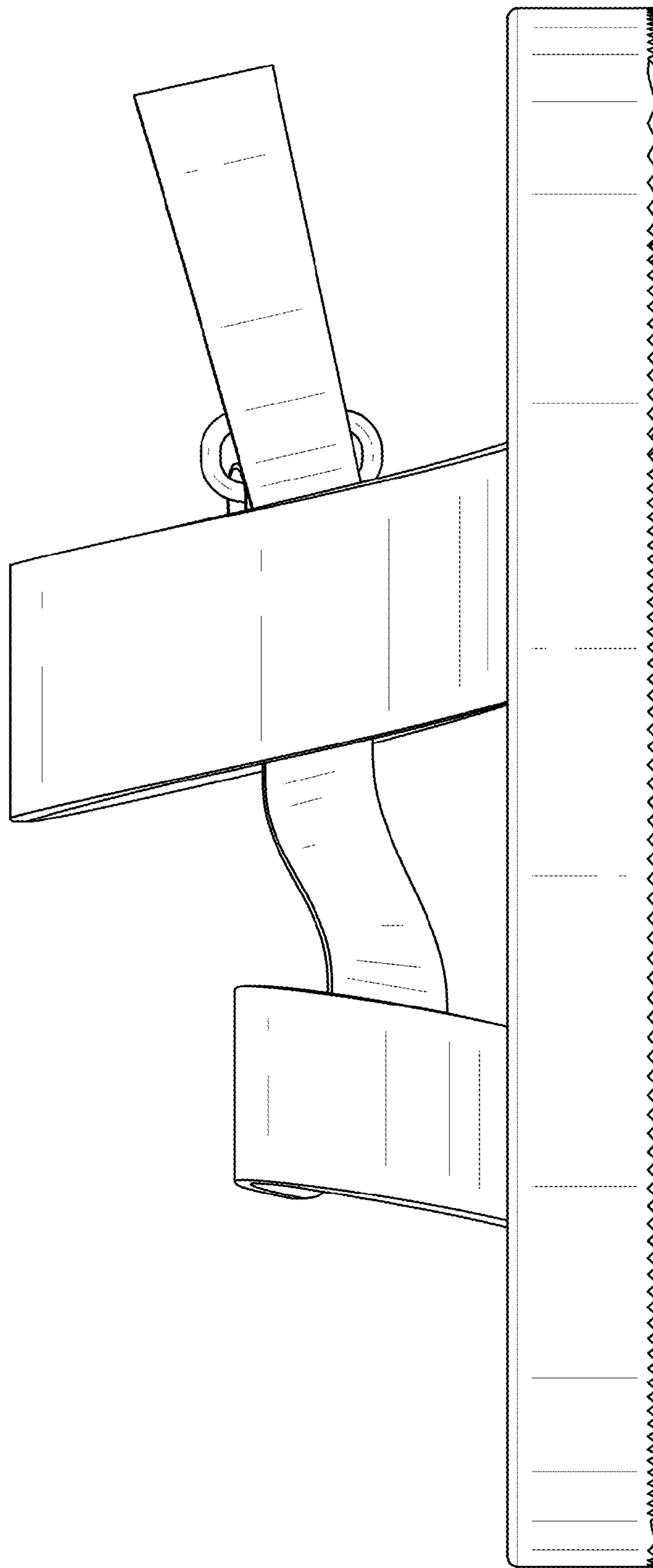


FIG.6

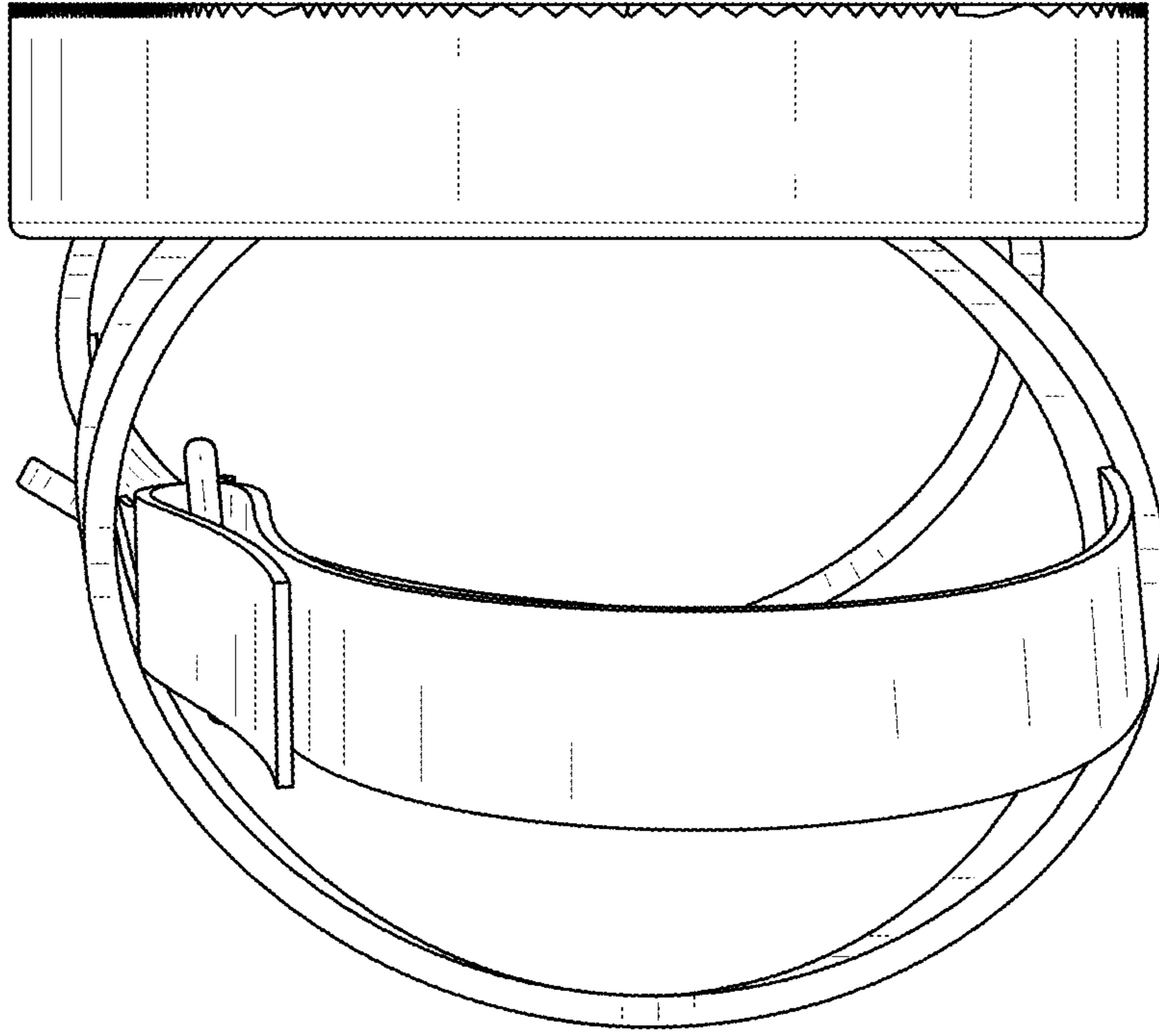


FIG.7

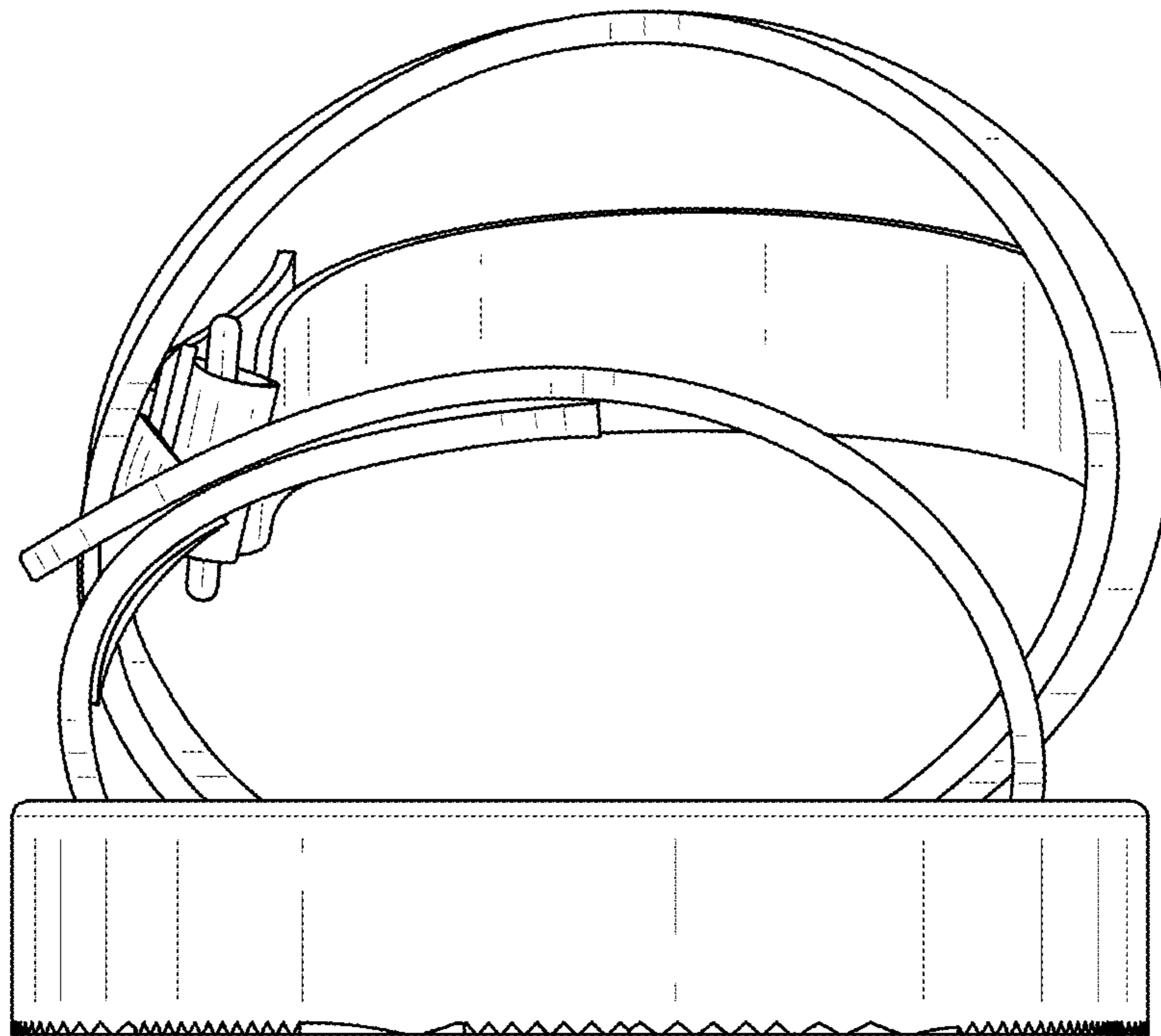


FIG.8