



US00D949519S

(12) **United States Design Patent** (10) **Patent No.:** **US D949,519 S**  
**Yang** (45) **Date of Patent:** **\*\* Apr. 26, 2022**

(54) **WEARABLE BLANKET**  
(71) Applicant: **SHENZHEN HIPPO TRADING CO., LTD.**, Shenzhen (CN)

D912,369 S \* 3/2021 Wu ..... D2/750  
D917,829 S \* 5/2021 Guo ..... D2/718  
D935,742 S \* 11/2021 Zhou ..... D2/831  
2017/0020215 A1 \* 1/2017 Merritt ..... A41D 1/04  
2018/0049489 A1 \* 2/2018 Noll ..... A41D 3/02

(72) Inventor: **Kai Yang**, Shenzhen (CN)

FOREIGN PATENT DOCUMENTS

(73) Assignee: **SHENZHEN HIPPO TRADING CO., LTD.**, Shenzhen (CN)

CA 2770301 A1 \* 12/2012 ..... A41D 27/201

(\*\*) Term: **15 Years**

OTHER PUBLICATIONS

(21) Appl. No.: **29/784,295**

Sivio Oversized Hoodie Blanket Sweatshirt, posted Jan. 6, 2020 [online], (retrieved Dec. 21, 2021). Retrieved from the internet, <https://www.amazon.ca/dp/B083HZ9DHW> (Year: 2020).\*

(22) Filed: **May 19, 2021**

BUZIO Oversized Hoodie Blanket, posted Apr. 18, 2020 [online], (retrieved Dec. 21, 2021). Retrieved from the internet, <https://www.amazon.com/BUZIO-Oversized-Blanket-Wearable-Sweatshirt/dp/B0878Z1KLS> (Year: 2020).\*

(51) **LOC (13) Cl.** ..... **02-02**

(52) **U.S. Cl.**  
USPC ..... **D2/750**

(58) **Field of Classification Search**  
USPC ..... D2/728, 750, 828, 831-832  
CPC .. A41B 1/00; A41B 3/02; A41B 3/005; A41B 3/04; A41D 1/04; A41D 3/02; A41D 3/005; A41D 3/04

See application file for complete search history.

\* cited by examiner

*Primary Examiner* — Kevin K Rudzinski

*Assistant Examiner* — J. Thorn, Sr.

(56) **References Cited**

(57) **CLAIM**

The ornamental design for a wearable blanket, as shown and described.

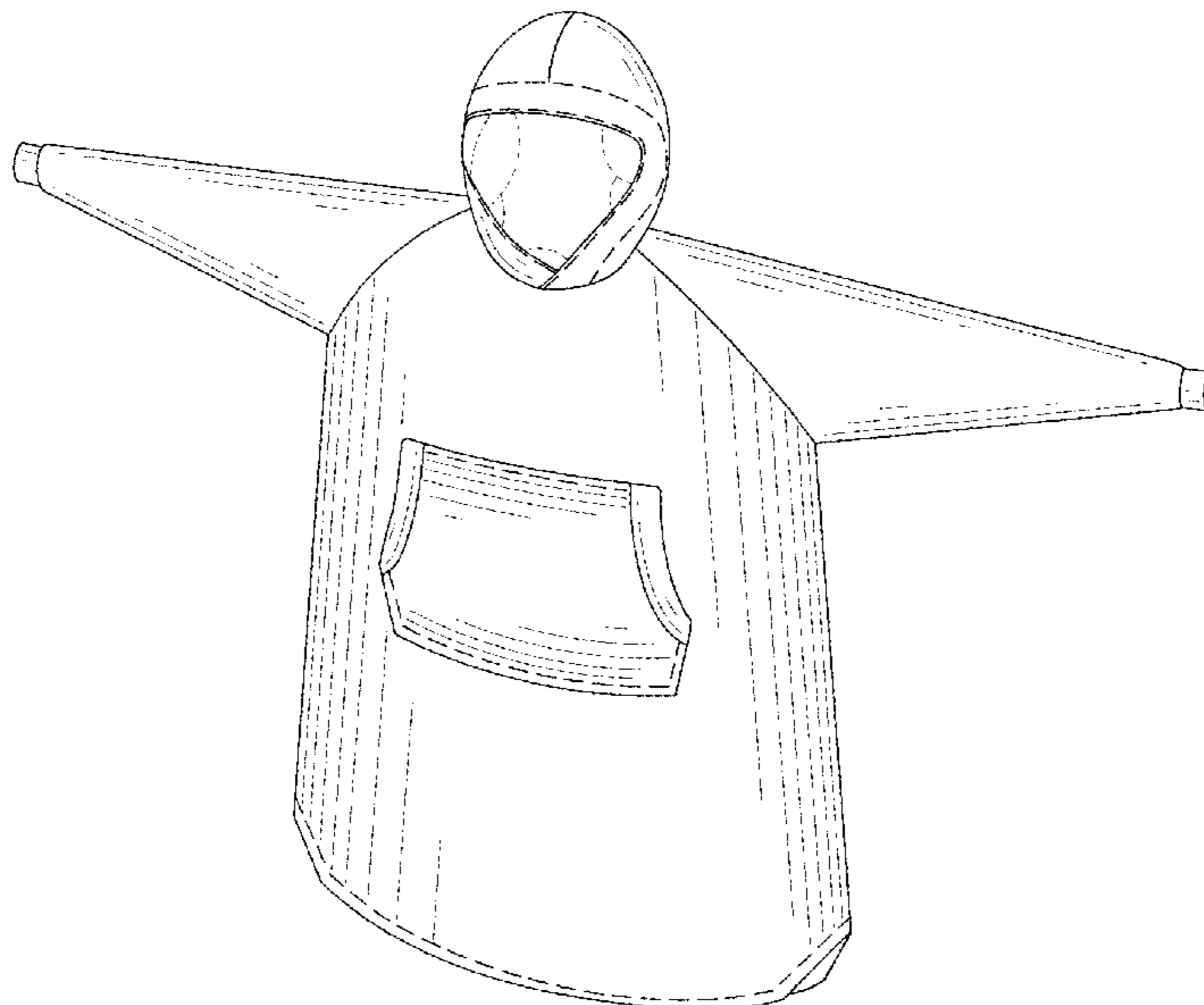
U.S. PATENT DOCUMENTS

**DESCRIPTION**

- D626,310 S 11/2010 Cruz
- D650,153 S 12/2011 Chopak et al.
- D728,900 S \* 5/2015 White ..... D2/750
- D731,144 S 6/2015 White
- D741,567 S 10/2015 Chang
- D802,886 S \* 11/2017 Salce, Jr. .... D2/831
- D859,788 S 9/2019 Speciale et al.
- 10,420,431 B1 9/2019 Speciale et al.
- D886,416 S 6/2020 Speciale et al.
- D894,532 S 9/2020 Ngan
- D894,537 S \* 9/2020 Ngan ..... D2/825
- D897,632 S 10/2020 Stamm
- D903,235 S \* 12/2020 Lv ..... D2/724
- D903,237 S 12/2020 Speciale et al.
- D905,380 S 12/2020 Speciale et al.

FIG. 1 is a top perspective view of the wearable blanket showing my new design;  
FIG. 2 is similar to FIG. 1, viewed from another aspect;  
FIG. 3 is a front elevational view thereof;  
FIG. 4 is a rear elevational view thereof;  
FIG. 5 is a left side elevational view thereof;  
FIG. 6 is a right side elevational view thereof;  
FIG. 7 is a top plan view thereof; and,  
FIG. 8 is a bottom plan view thereof.  
The broken lines in the drawings depict portions of the wearable blanket that form no part of the claimed design.

**1 Claim, 8 Drawing Sheets**



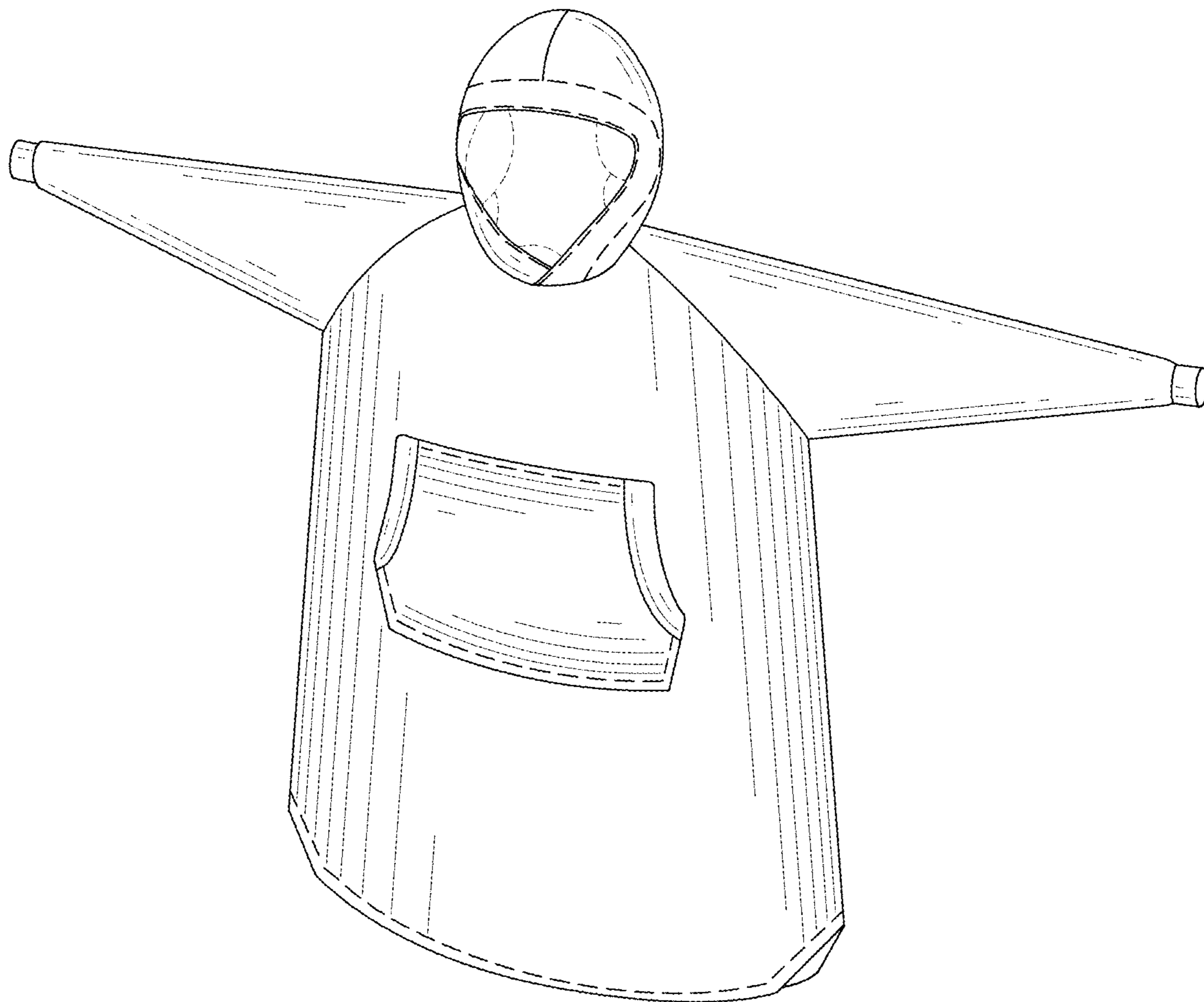


FIG. 1

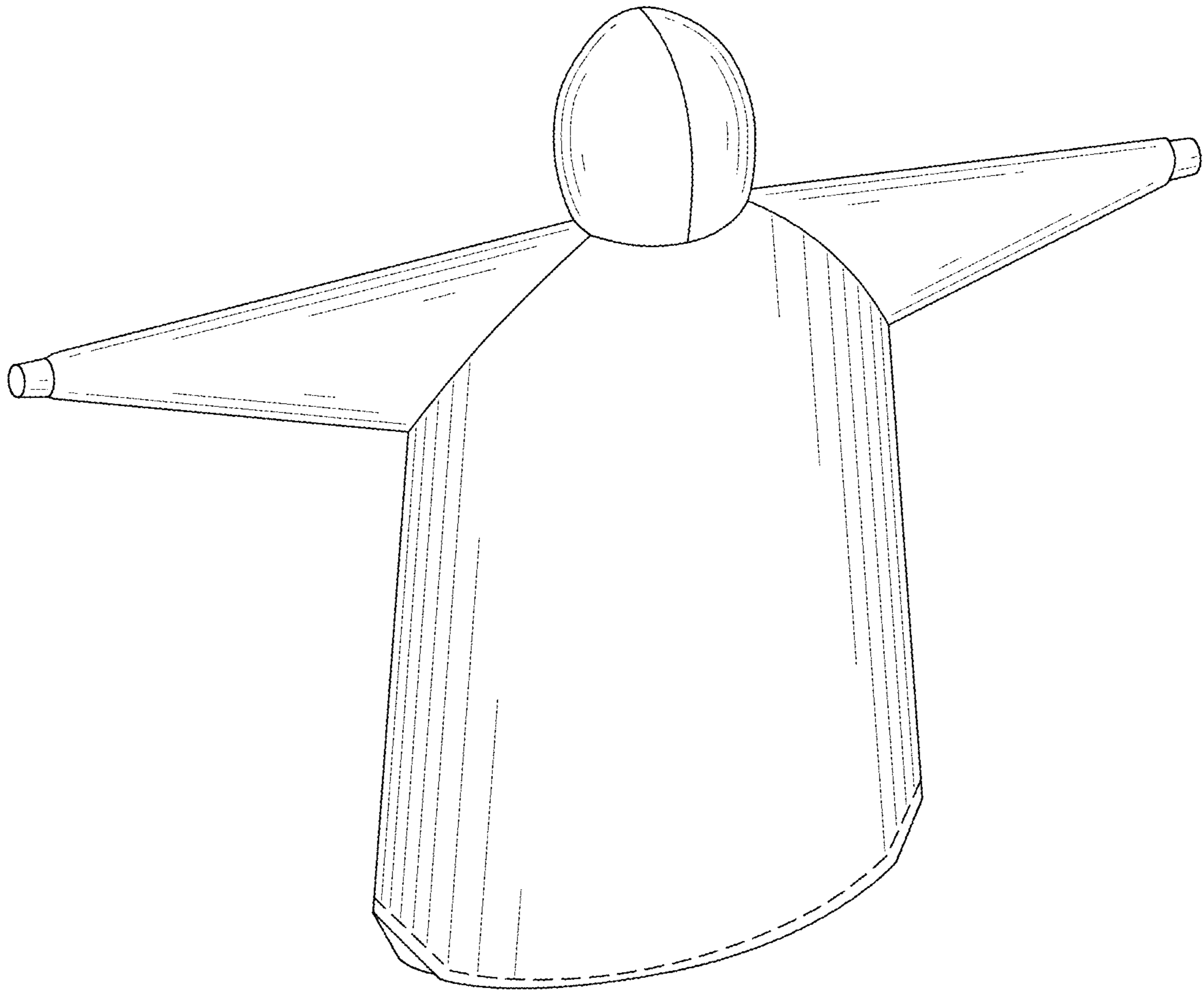


FIG. 2

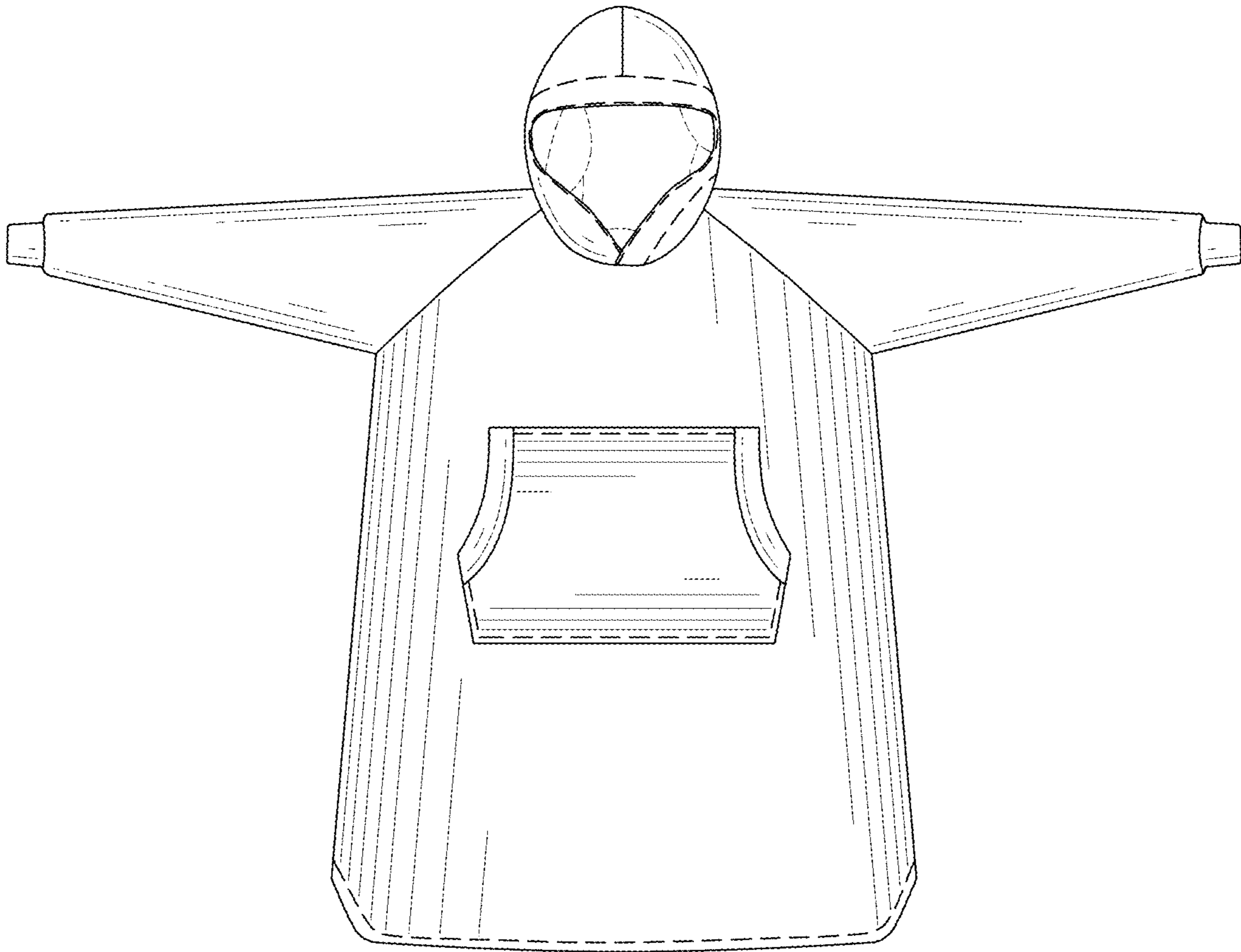


FIG. 3

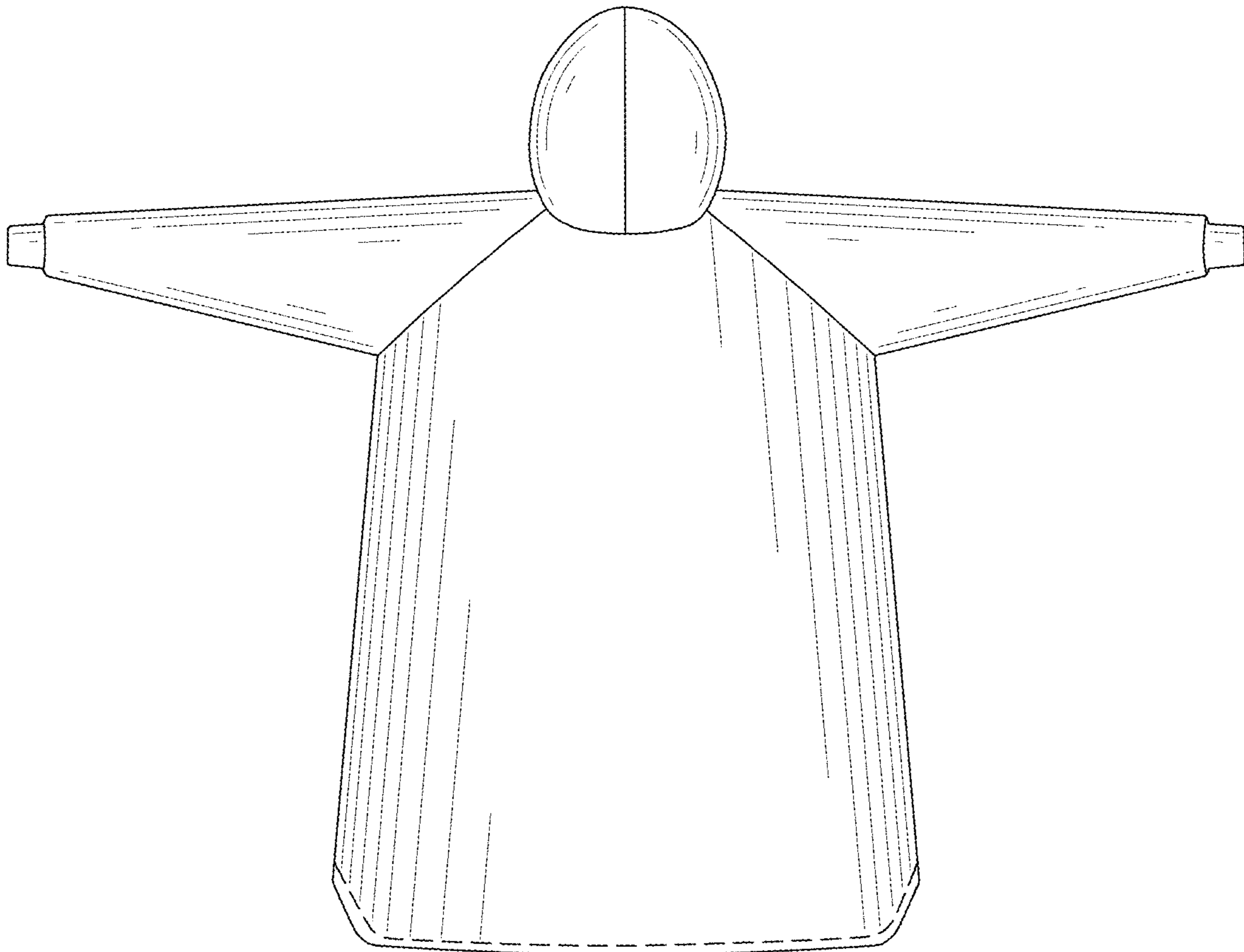


FIG. 4

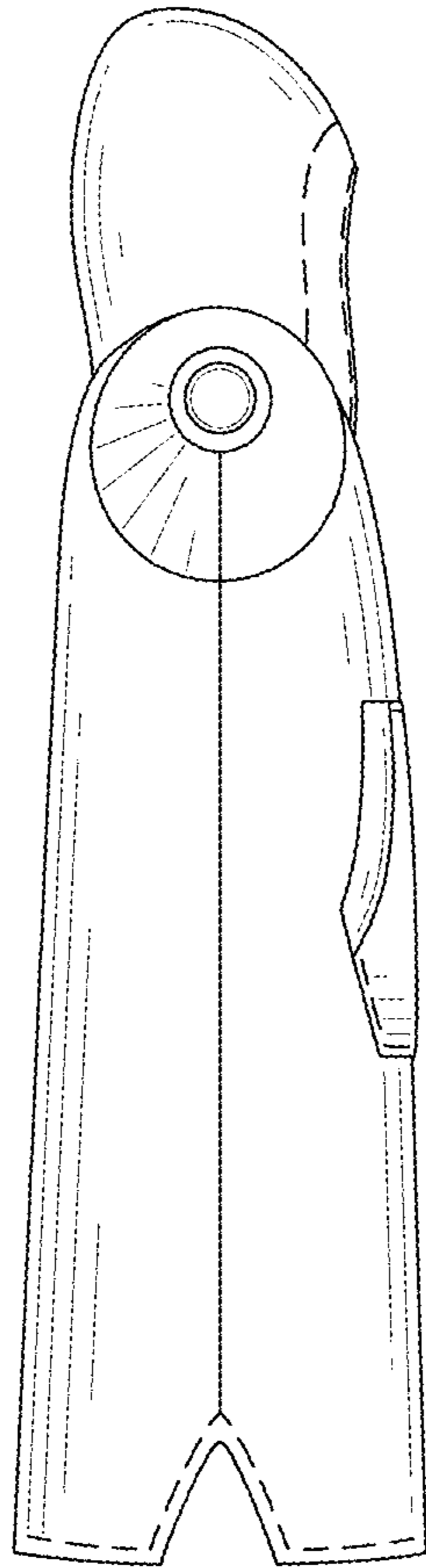


FIG. 5

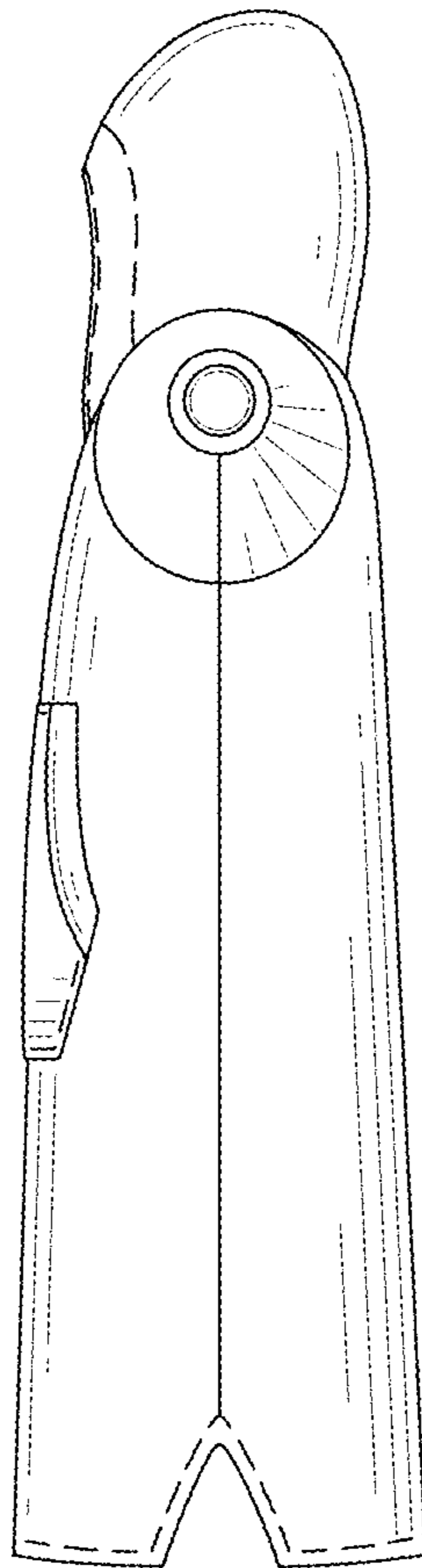


FIG. 6

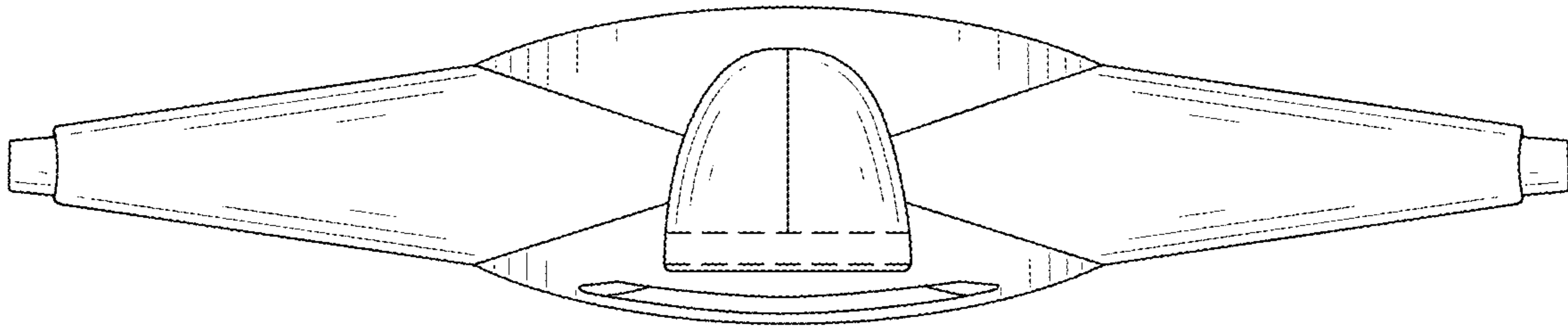


FIG. 7



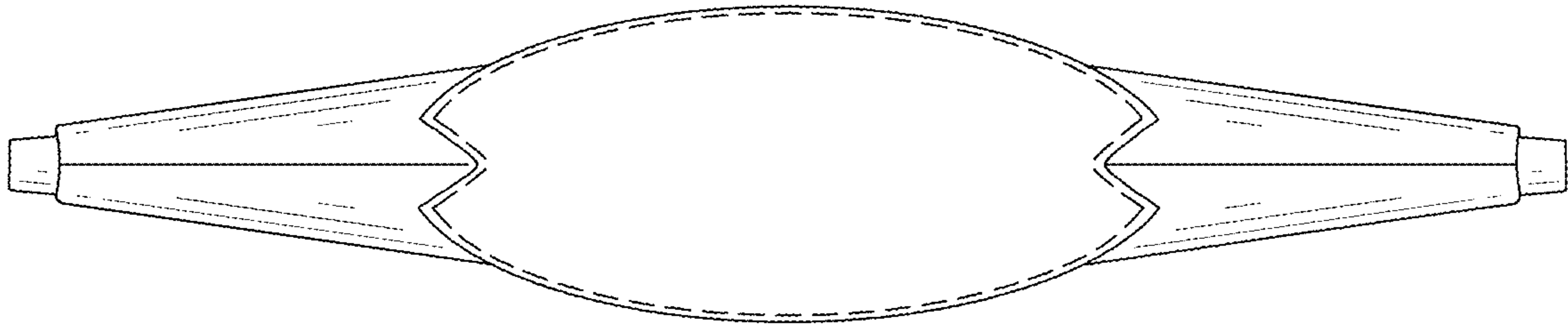


FIG. 8