



US00D949517S

(12) **United States Design Patent**
Hasson

(10) **Patent No.:** **US D949,517 S**
(45) **Date of Patent:** **** *Apr. 26, 2022**

(54) **SCRUB TOP**

FOREIGN PATENT DOCUMENTS

(71) Applicant: **FIGS, INC.**, Santa Monica, CA (US)

JP 2019143262 A * 8/2019

(72) Inventor: **Heather Leigh Hasson**, Santa Monica, CA (US)

OTHER PUBLICATIONS

(73) Assignee: **FIGS, INC.**, Santa Monica, CA (US)

CHEROKEE Workwear, announced 2017 [online], [site visited Sep. 25, 2020]. Available from internet, URL: <<https://www.amazon.com/Cherokee-Professionals-WW675-Mens-V-Neck/dp/B077YQYY2S/>> (Year: 2017).*

(*) Notice: This patent is subject to a terminal disclaimer.

FIGS Chisec Top, announced 2017 [online], [site visited Sep. 24, 2020]. Available from internet, URL: <<https://www.facebook.com/wearFIGS/photos/a.439364299419037/1499790430043080/?type=3&theater>> (Year: 2017).*

(**) Term: **15 Years**

(Continued)

(21) Appl. No.: **29/704,069**

(22) Filed: **Aug. 30, 2019**

(51) **LOC (13) Cl.** **02-02**

(52) **U.S. Cl.**
USPC **D2/739**

(58) **Field of Classification Search**
USPC D2/700, 713, 715-718, 720, 728, 731,
D2/738, 739, 742, 743, 780, 781, 839,
D2/840, 853, 857, 862
CPC A41D 13/1236; A41D 13/1245; A41D
2400/44; A41D 2400/70; A41D 13/1209
See application file for complete search history.

Primary Examiner — Kevin K Rudzinski

Assistant Examiner — Amber J Rabie

(74) *Attorney, Agent, or Firm* — Sterne, Kessler, Goldstein & Fox P.L.L.C.

(56) **References Cited**

U.S. PATENT DOCUMENTS

- D750,345 S * 3/2016 Earley A41D 27/24
D2/739
- D756,596 S * 5/2016 Santana A41D 13/1209
D2/717
- D765,345 S * 9/2016 Weiss A41D 13/1209
D2/739
- 2012/0117708 A1* 5/2012 Trapani A41D 13/1209
2/83
- 2013/0205467 A1* 8/2013 Walrich A41D 13/1209
2/93
- 2013/0305426 A1* 11/2013 Walrich A41D 27/24
2/69

(57) **CLAIM**

The ornamental design for a scrub top, as shown and described.

DESCRIPTION

FIG. 1 is a front view of a scrub top showing the claimed design;

FIG. 2 is a rear view thereof;

FIG. 3 is a left side view thereof;

FIG. 4 is a right side view thereof;

FIG. 5 is a front perspective view thereof;

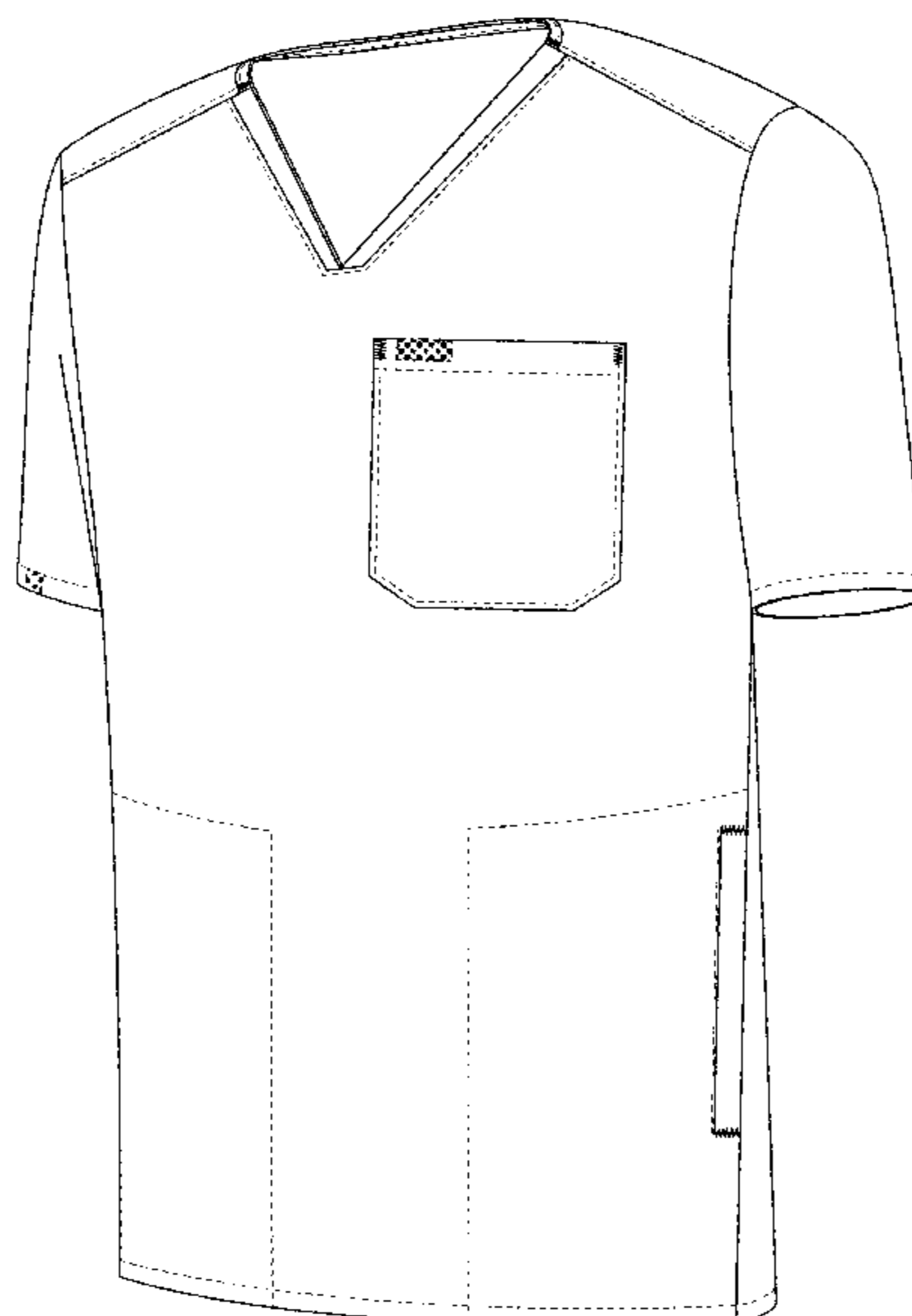
FIG. 6 is a top view thereof; and,

FIG. 7 is a bottom view thereof.

The dot-dash broken lines in the figures and the areas within the dot-dash broken lines show portions of the scrub top that form no part of the claimed design.

The dashed broken lines show a stitching pattern. The dashed broken lines form part of the claimed design.

1 Claim, 7 Drawing Sheets



(56)

References Cited

OTHER PUBLICATIONS

Chisec Scrubs, announced 2018 [online], [site visited Sep. 28, 2020]. Available from internet, URL: <<https://www.instagram.com/p/BiqOn1ZnR7V/?igshid=vol0xb0b4ip0>> (Year: 2018).*

* cited by examiner

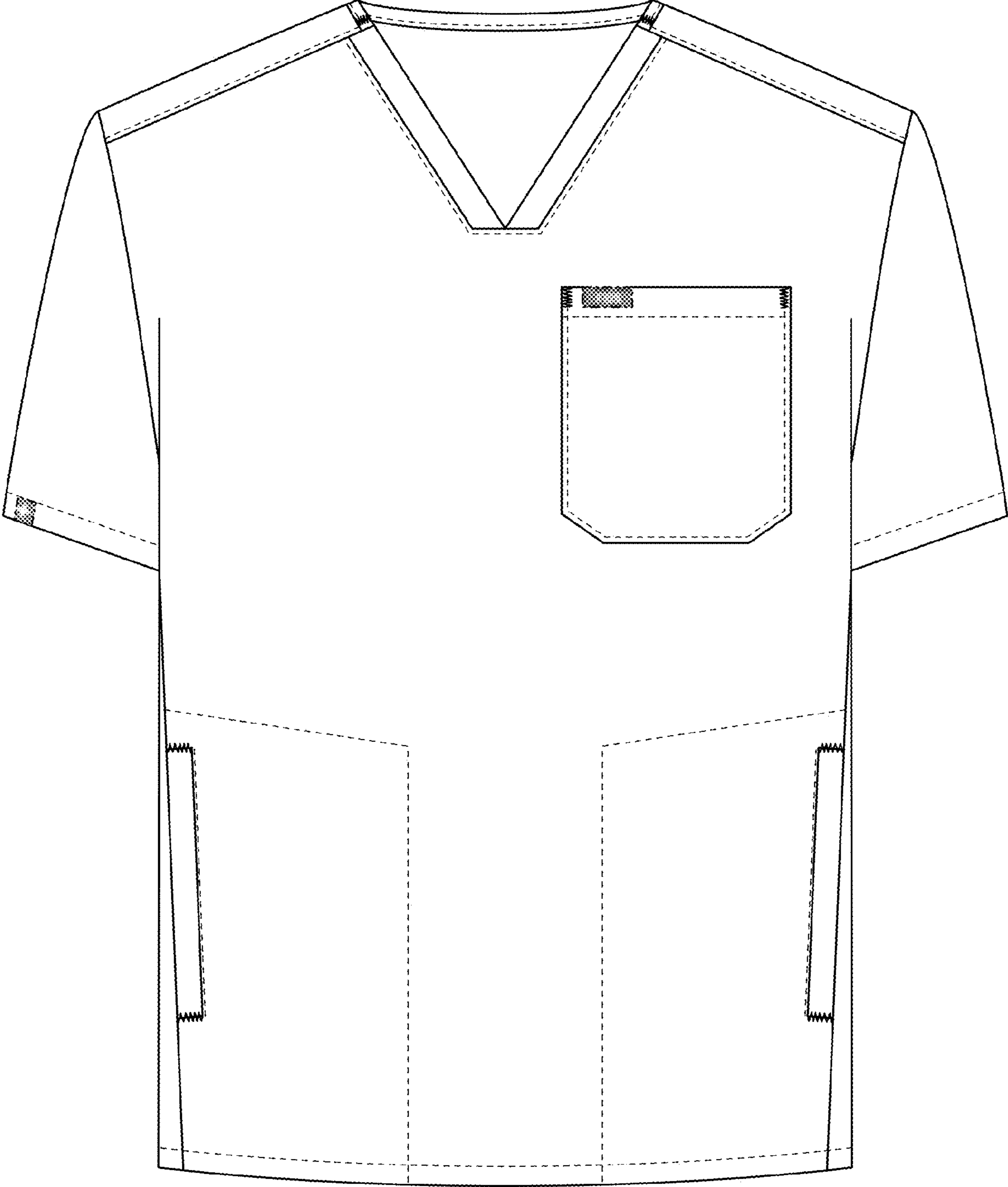


FIG. 1

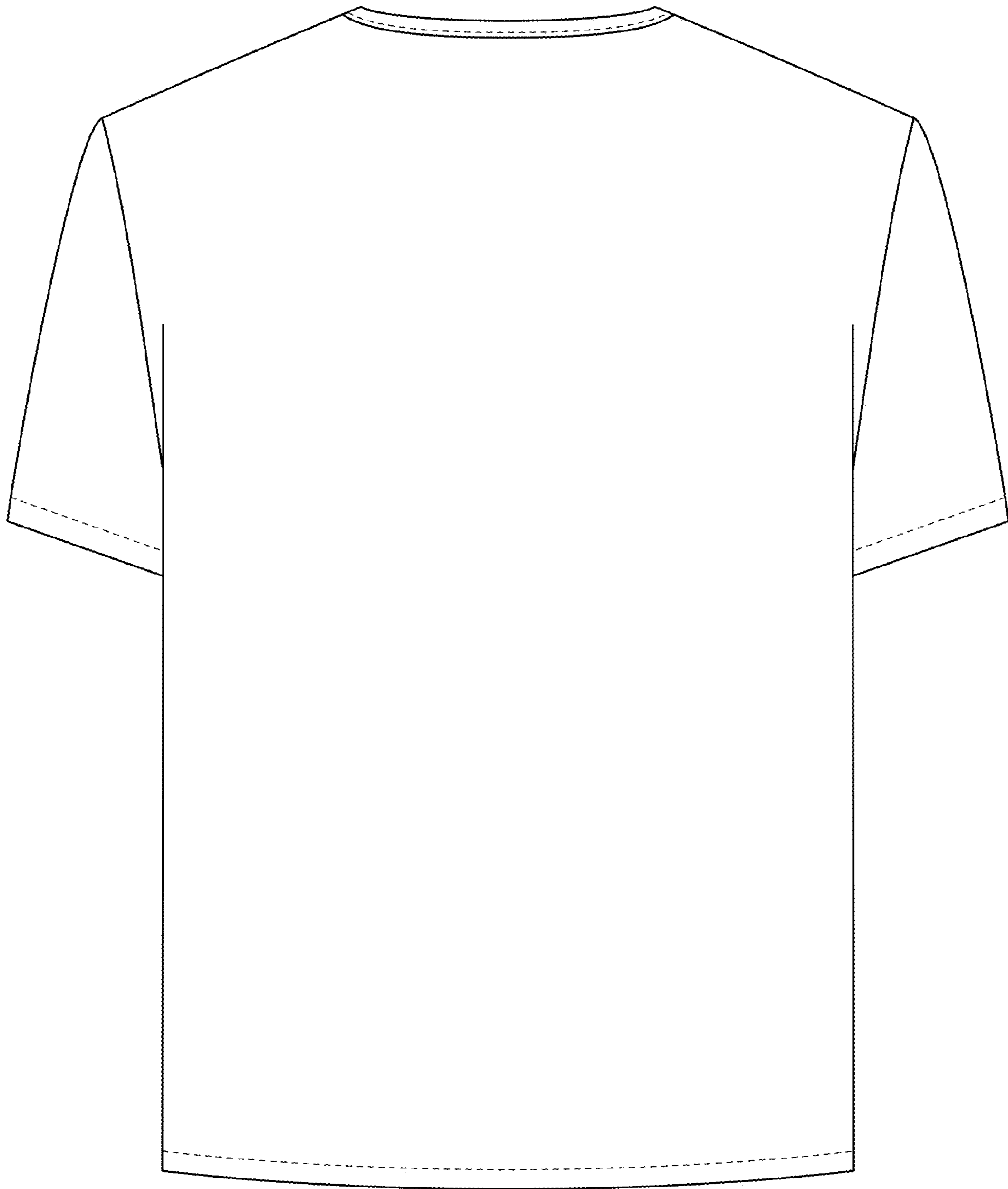


FIG. 2

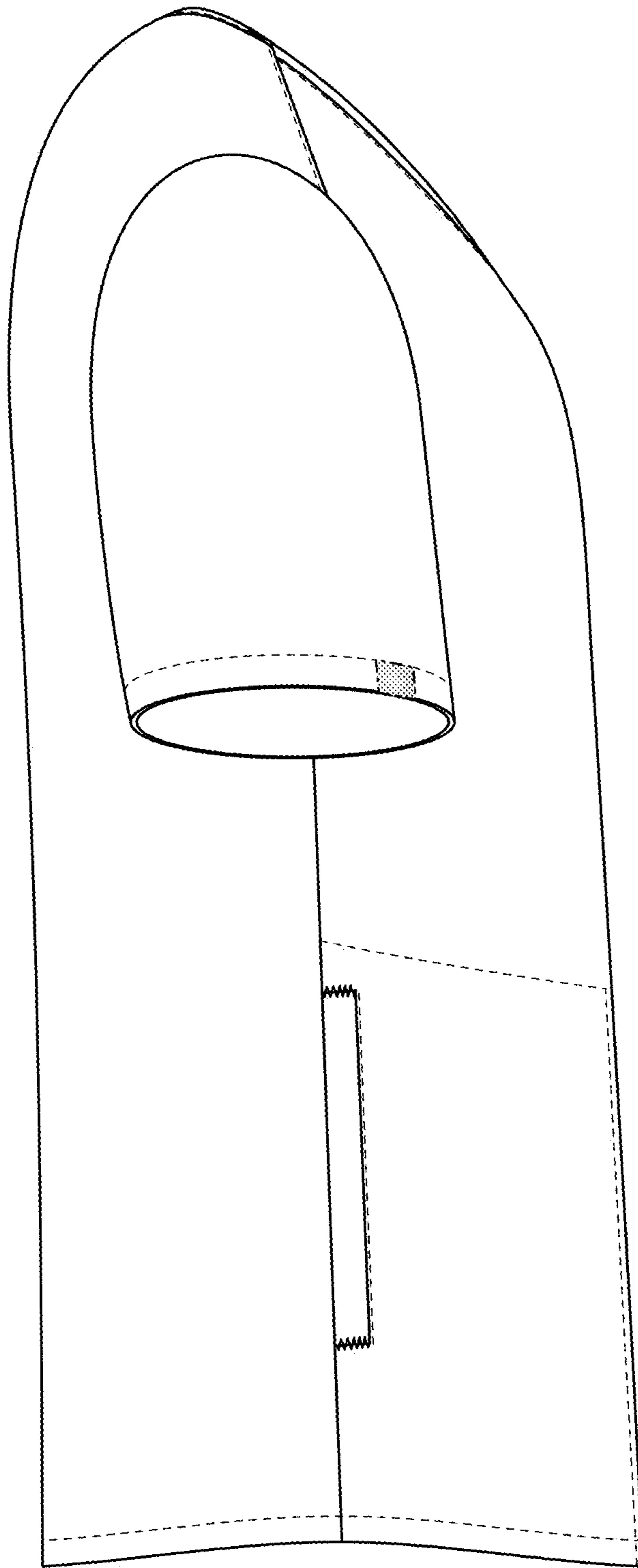


FIG. 3

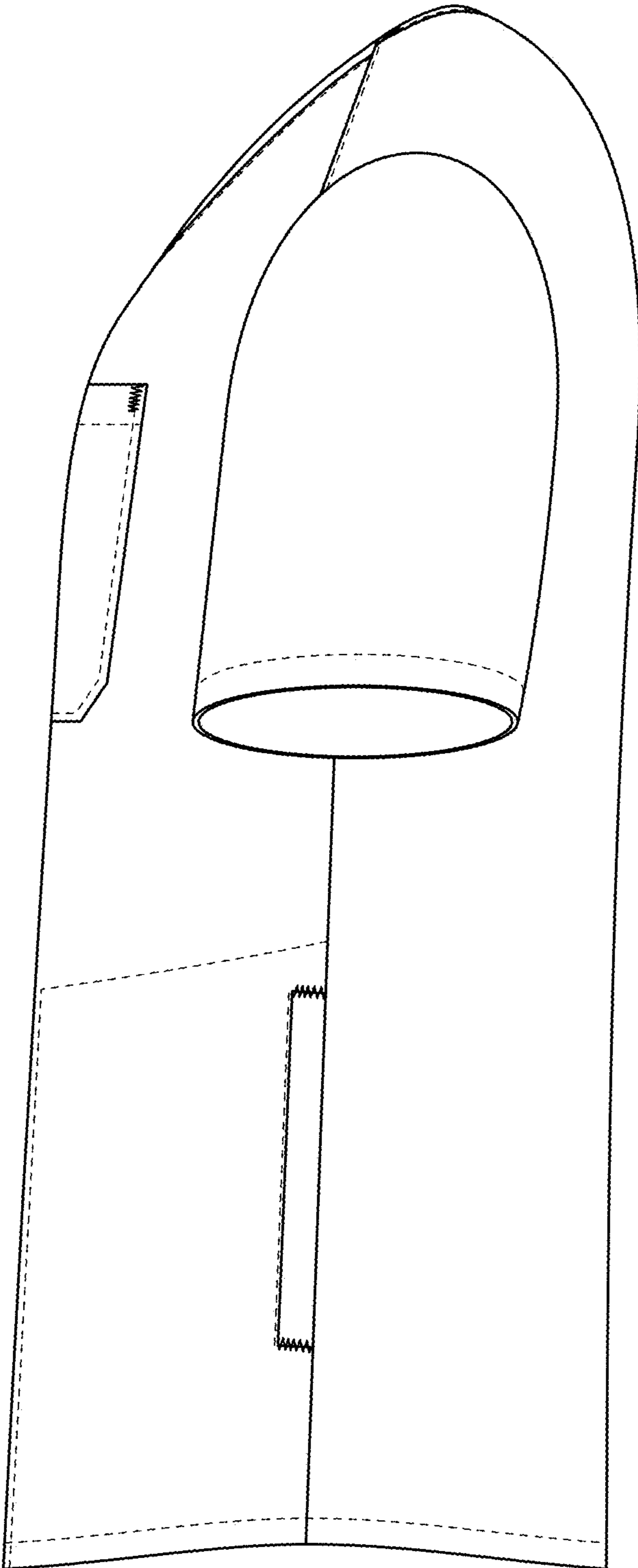


FIG. 4

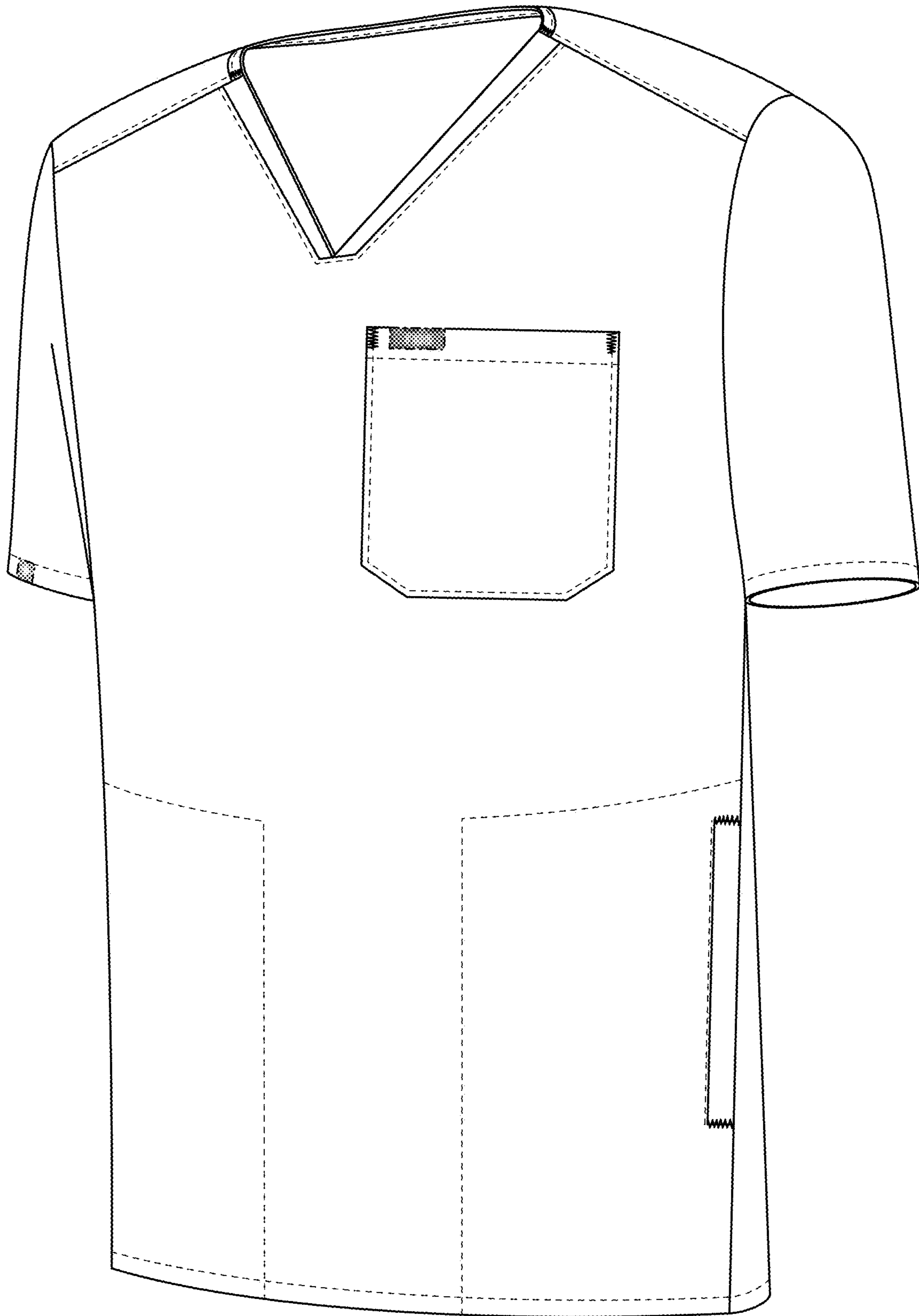


FIG. 5

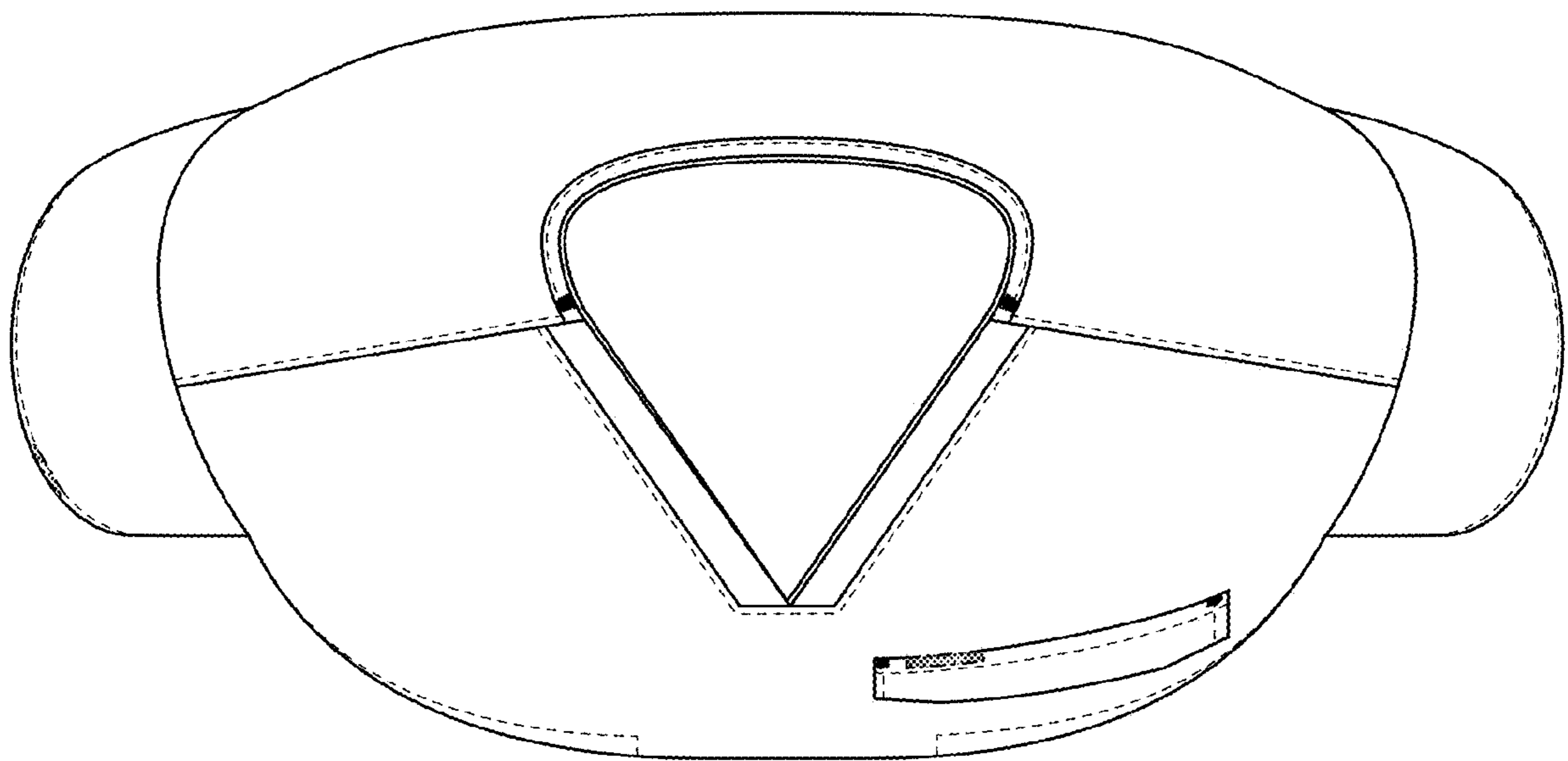


FIG. 6

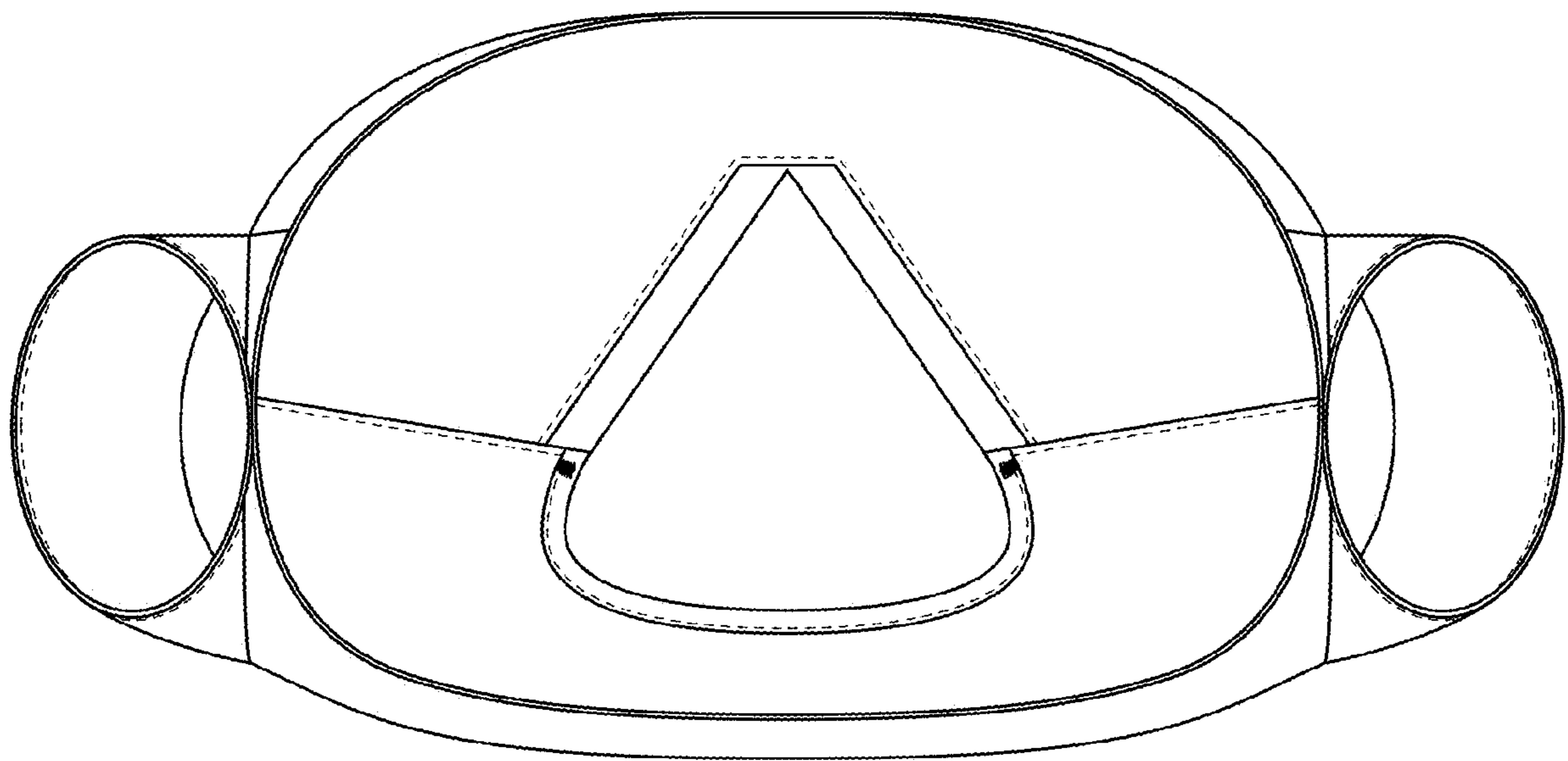


FIG. 7