



US00D949514S

(12) **United States Design Patent** (10) **Patent No.:** **US D949,514 S**
Perry (45) **Date of Patent:** **** Apr. 26, 2022**

(54) **SUSPENDER HOOK** 3,096,553 A * 7/1963 Gould A41F 11/02
D11/220
(71) Applicant: **Joe Perry**, Mt. Zion, IL (US) D316,956 S * 5/1991 Hoskinson D8/367
5,623,735 A * 4/1997 Perry A41F 3/02
(72) Inventor: **Joe Perry**, Mt. Zion, IL (US) D415,067 S * 10/1999 Tung D8/367
D707,233 S * 6/2014 Sirichai D14/447
(73) Assignee: **PERRY PRODUCTS, INC.**, Decatur, IL (US) D866,920 S * 11/2019 Perry A41F 5/00
D2/640

(**) Term: **15 Years**

(21) Appl. No.: **29/700,836**

(22) Filed: **Aug. 6, 2019**

(51) **LOC (13) Cl.** **02-07**

(52) **U.S. Cl.**
USPC **D2/640**

(58) **Field of Classification Search**
USPC D2/624-629, 631, 633-640, 859, 894;
D3/224, 226; D24/128, 155, 167, 186,
D24/190; D29/101.1, 101.3; D21/805;
D11/218, 231; D30/152
CPC . A01K 27/001; A41F 3/02; A41F 5/00; A41F
9/002; A41F 9/005; A41F 9/025; A41F
11/02; A41F 11/08; A44B 11/10; A44B
11/18; A45F 2003/006; A61F 5/028
See application file for complete search history.

(56) **References Cited**

U.S. PATENT DOCUMENTS

D25,861 S * 8/1896 Mueller D8/383
D28,115 S * 1/1898 Fleming D2/624
D28,506 S * 4/1898 Levison A41F 19/00
D2/624
D28,535 S * 5/1898 Eckstein A41F 3/02
D11/208
D32,840 S * 6/1900 Sanders A41F 19/00
D2/639
1,686,830 A * 10/1928 Mason A41F 5/00
24/344
1,879,817 A * 9/1932 Nelson A41F 3/02
24/698.2

(Continued)

Primary Examiner — Kevin K Rudzinski
Assistant Examiner — Clare Ann Gannon
(74) *Attorney, Agent, or Firm* — Alvin T. Rockhill

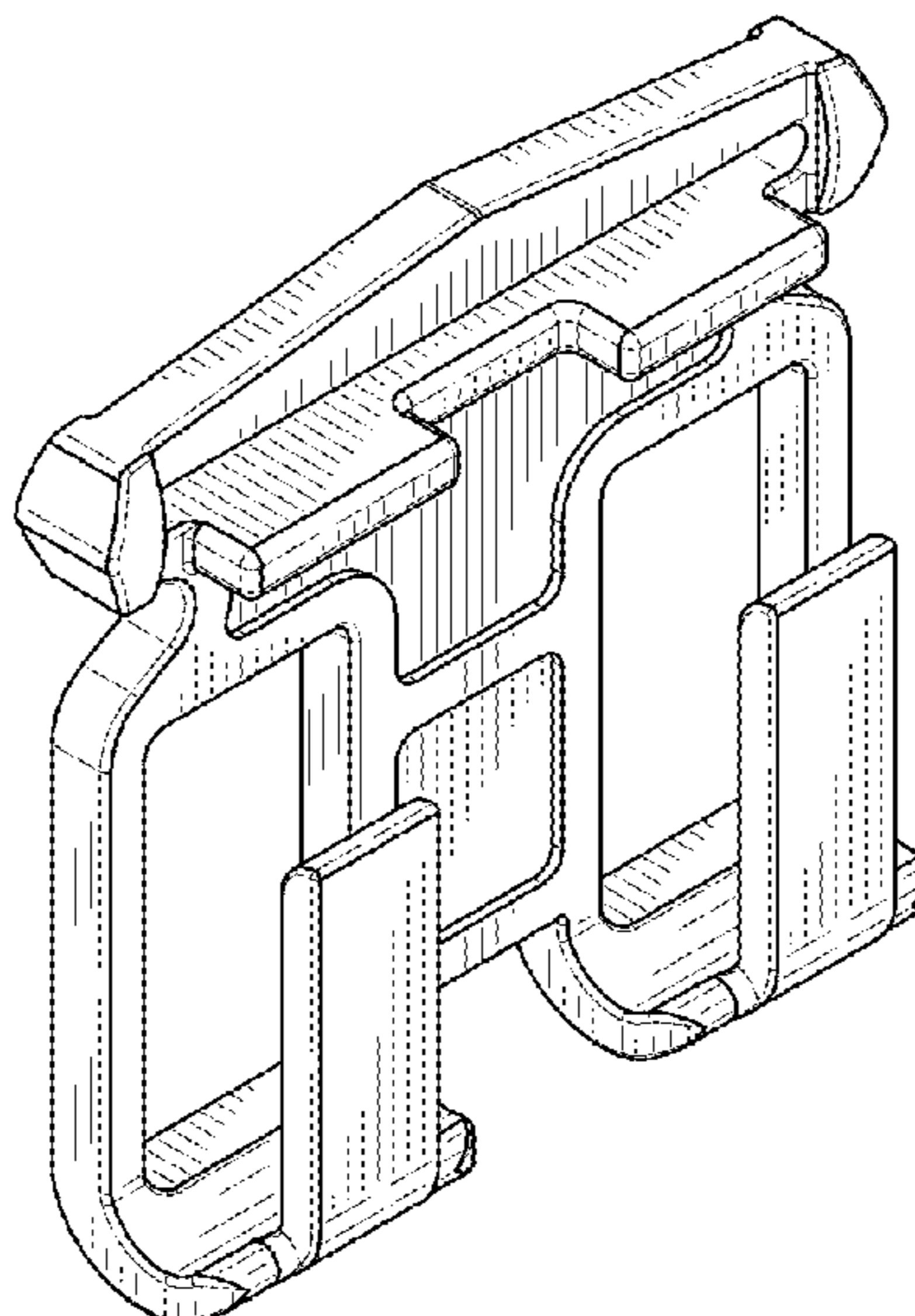
(57) **CLAIM**

The ornamental design for a suspender hook, as shown and described.

DESCRIPTION

FIG. 1 is a back perspective view of a suspender hook of my new design;
FIG. 2 is a front perspective view of the suspender hook of my new design;
FIG. 3 is a back view of the suspender hook of my new design;
FIG. 4 is a front view of the suspender hook of my new design;
FIG. 5 is a top view of the suspender hook of my new design;
FIG. 6 is a bottom view of the suspender hook of my new design;
FIG. 7 is a right side view of the suspender hook of my new design;
FIG. 8 is a left side view of the suspender hook of my new design; and,
FIG. 9 illustrates the suspender hook of my new design shown attached to environmental suspenders.
The broken lines depict environment that does not constitute any part of the claimed design.

1 Claim, 4 Drawing Sheets



(56)

References Cited

U.S. PATENT DOCUMENTS

2014/0033398 A1* 2/2014 Spina, Sr. A41F 19/00
2/327
2014/0150167 A1* 6/2014 Mowad A41F 19/00
2/337
2017/0290396 A1* 10/2017 Hough F16B 2/245

* cited by examiner

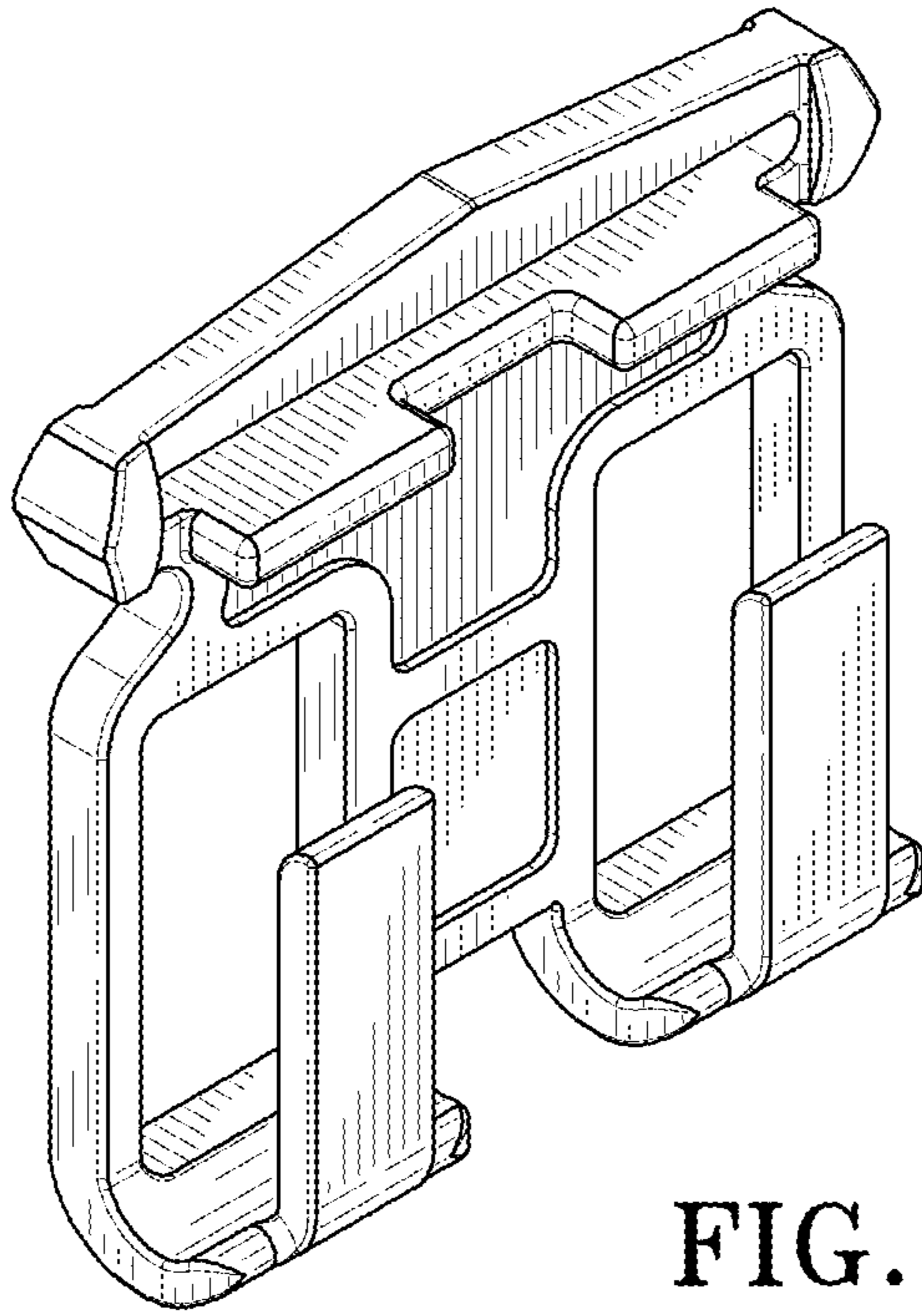


FIG. 1

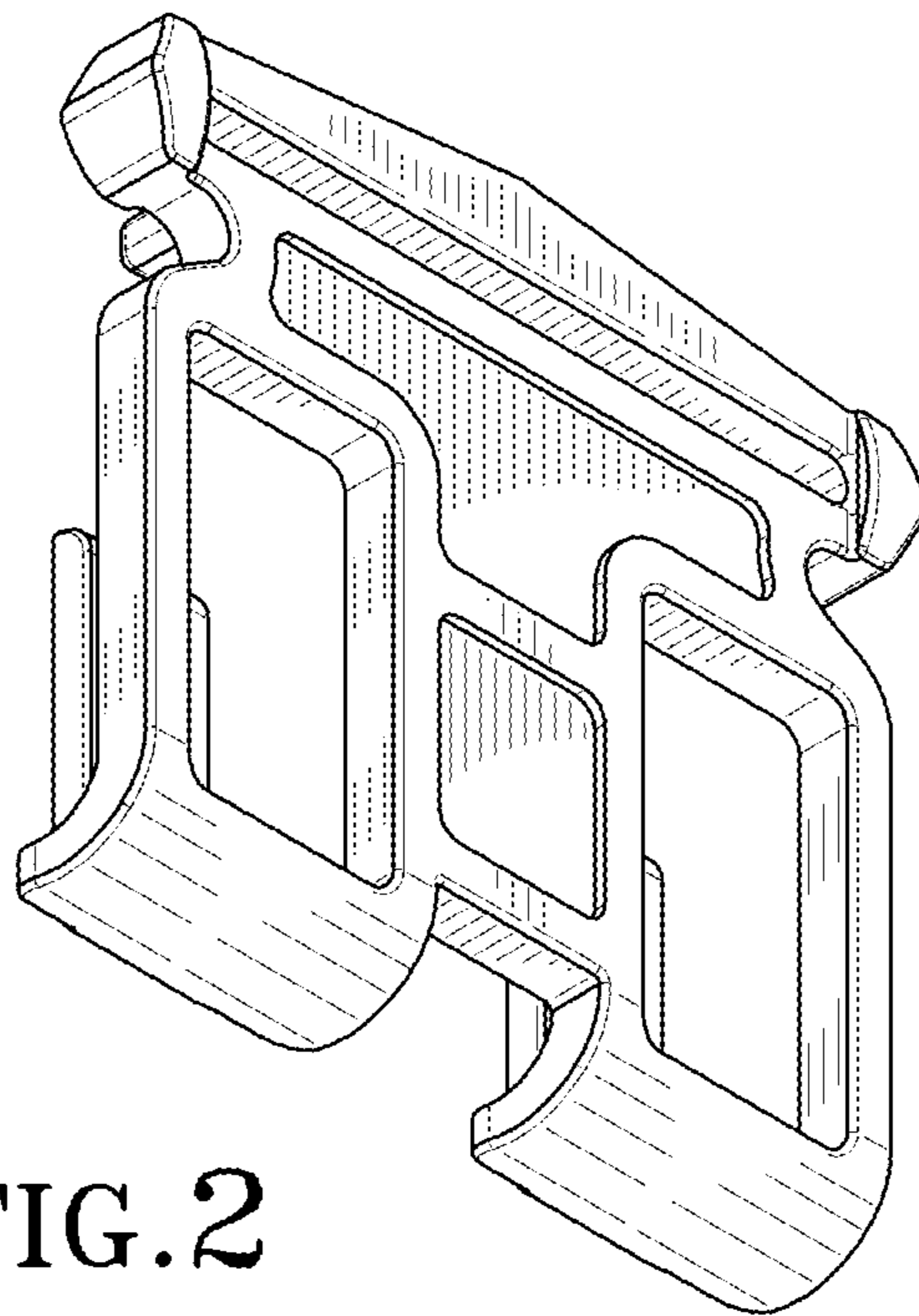


FIG. 2

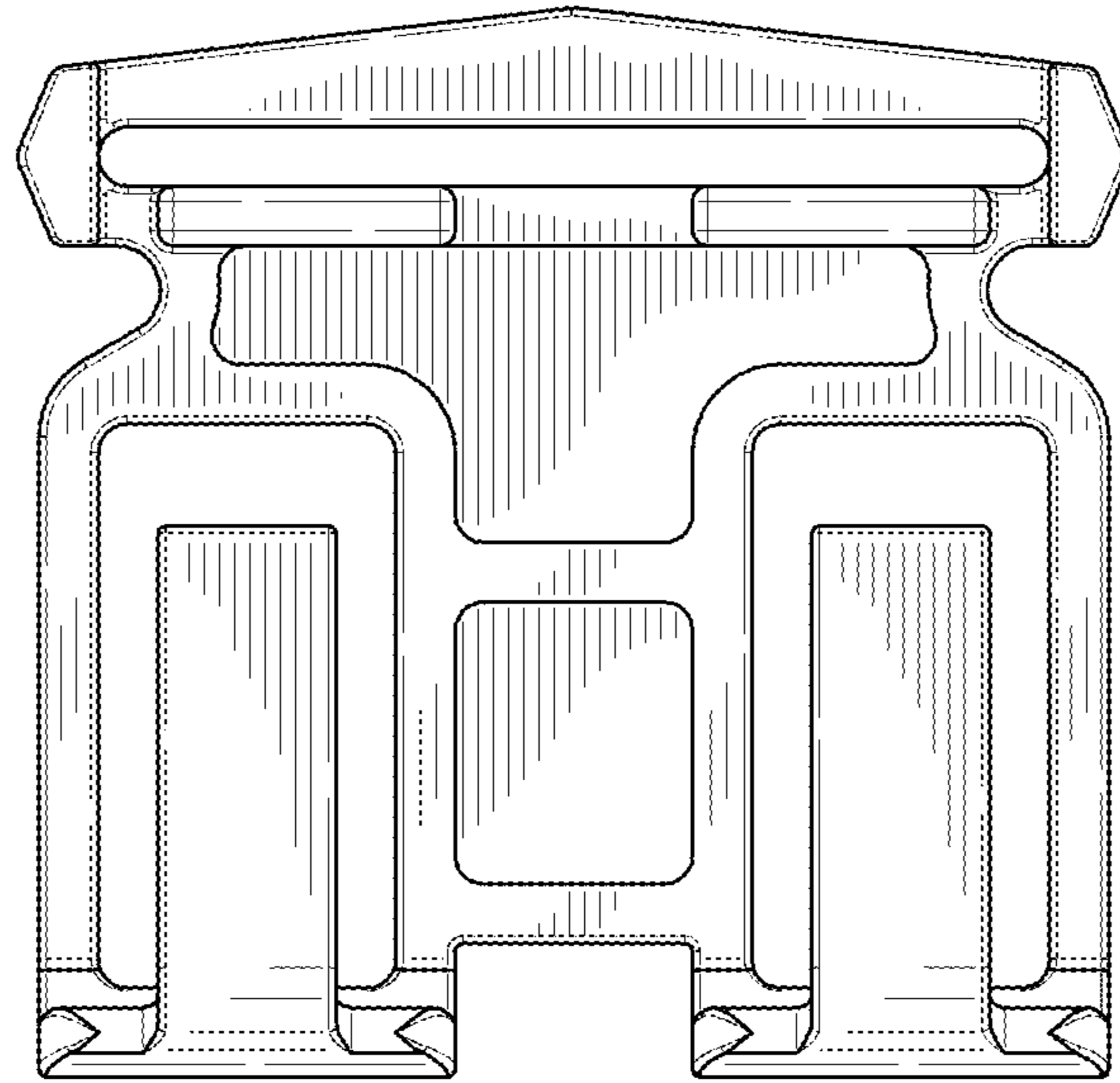


FIG. 3

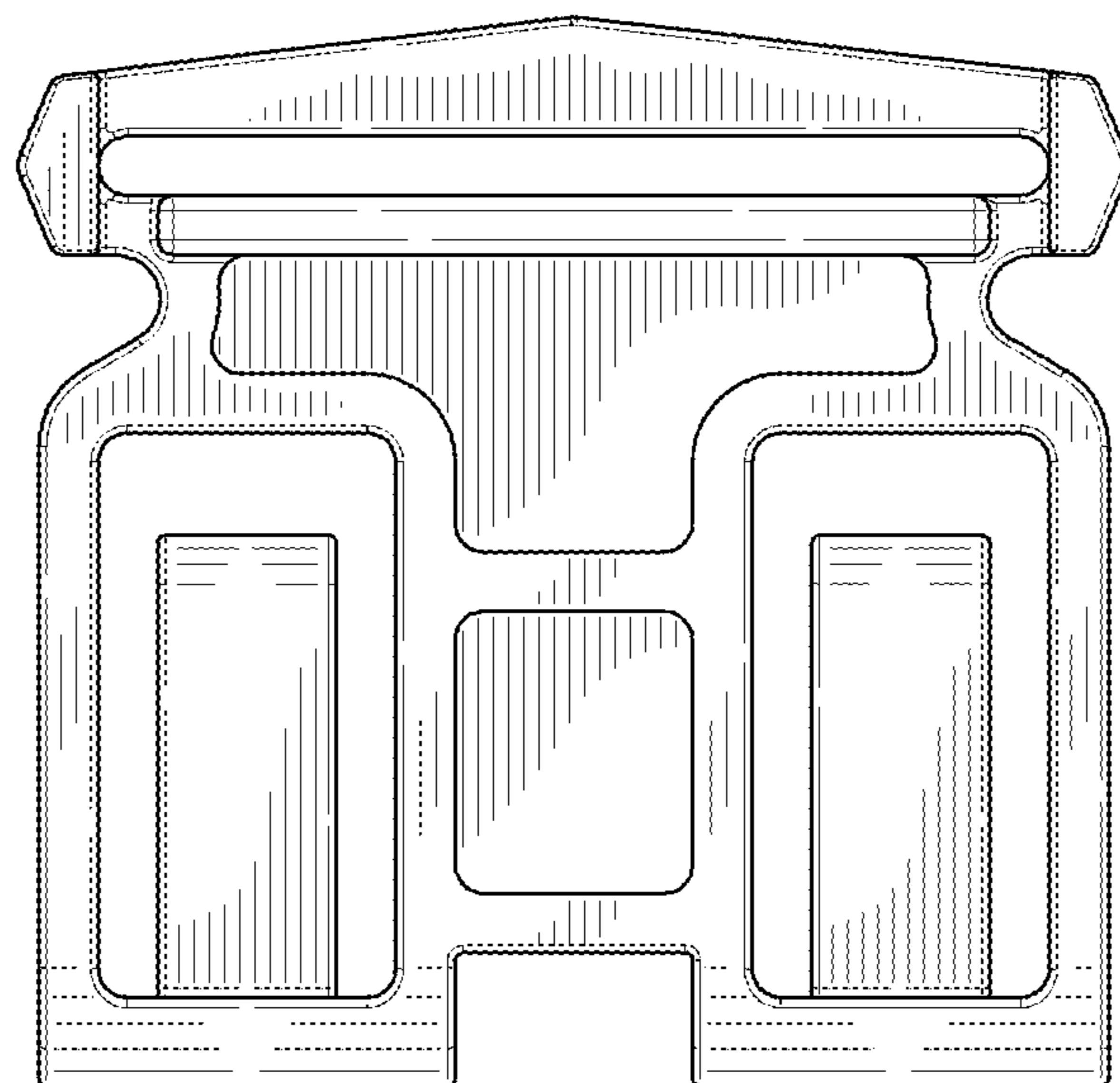


FIG. 4

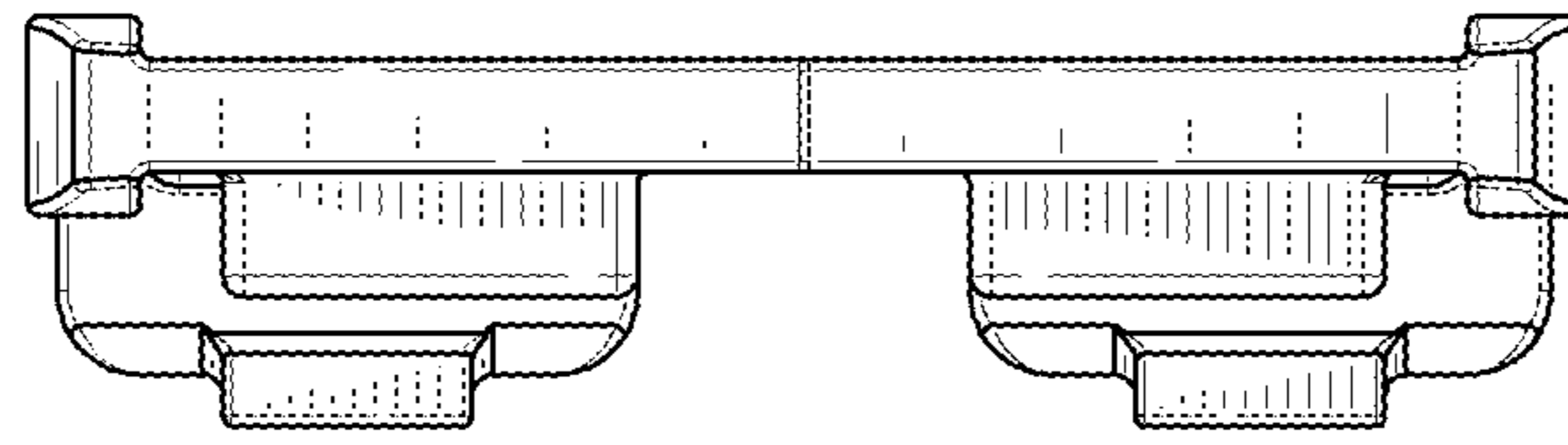


FIG. 5

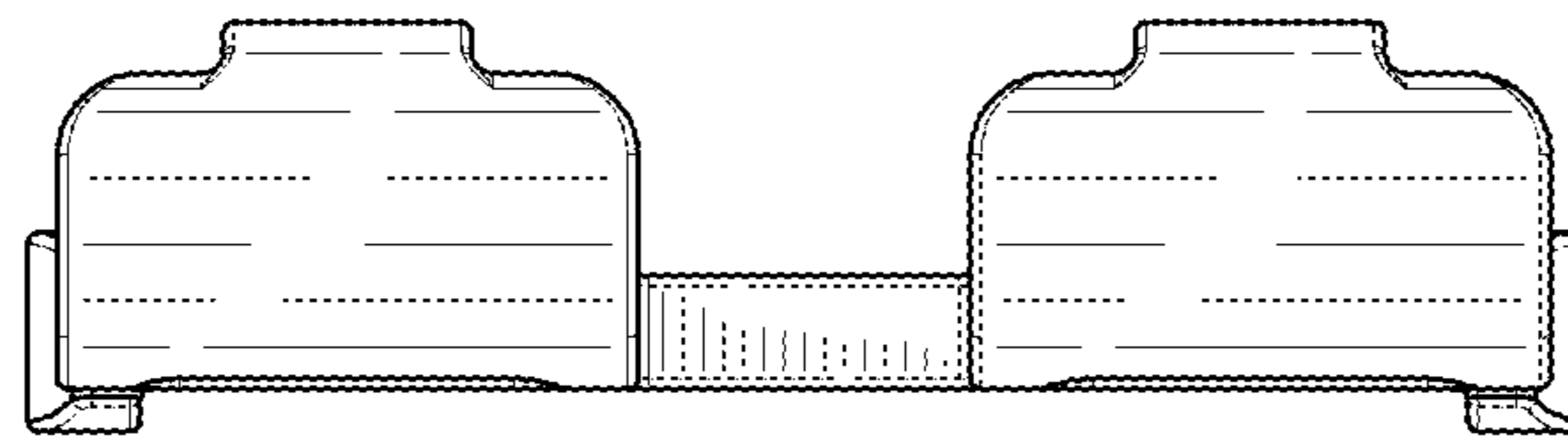


FIG. 6

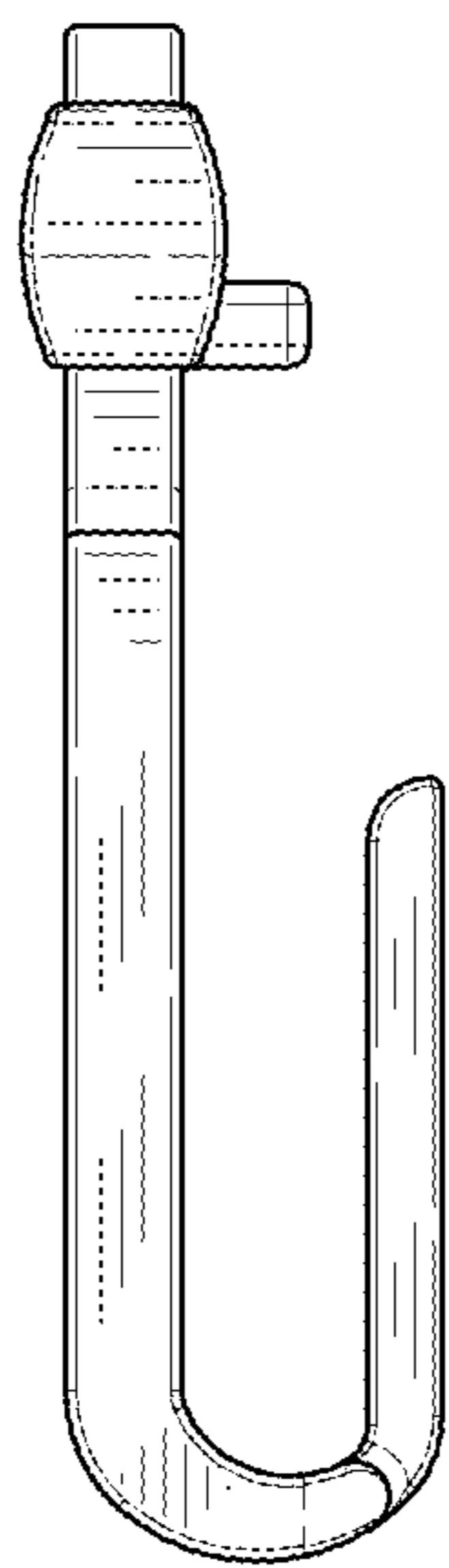


FIG. 7

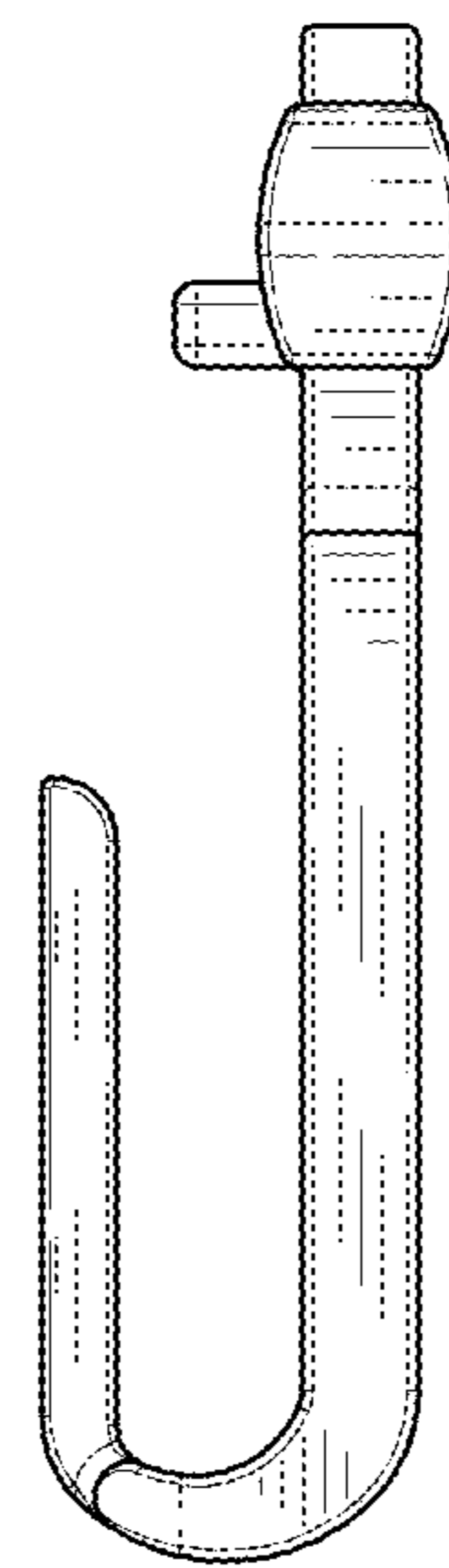


FIG. 8

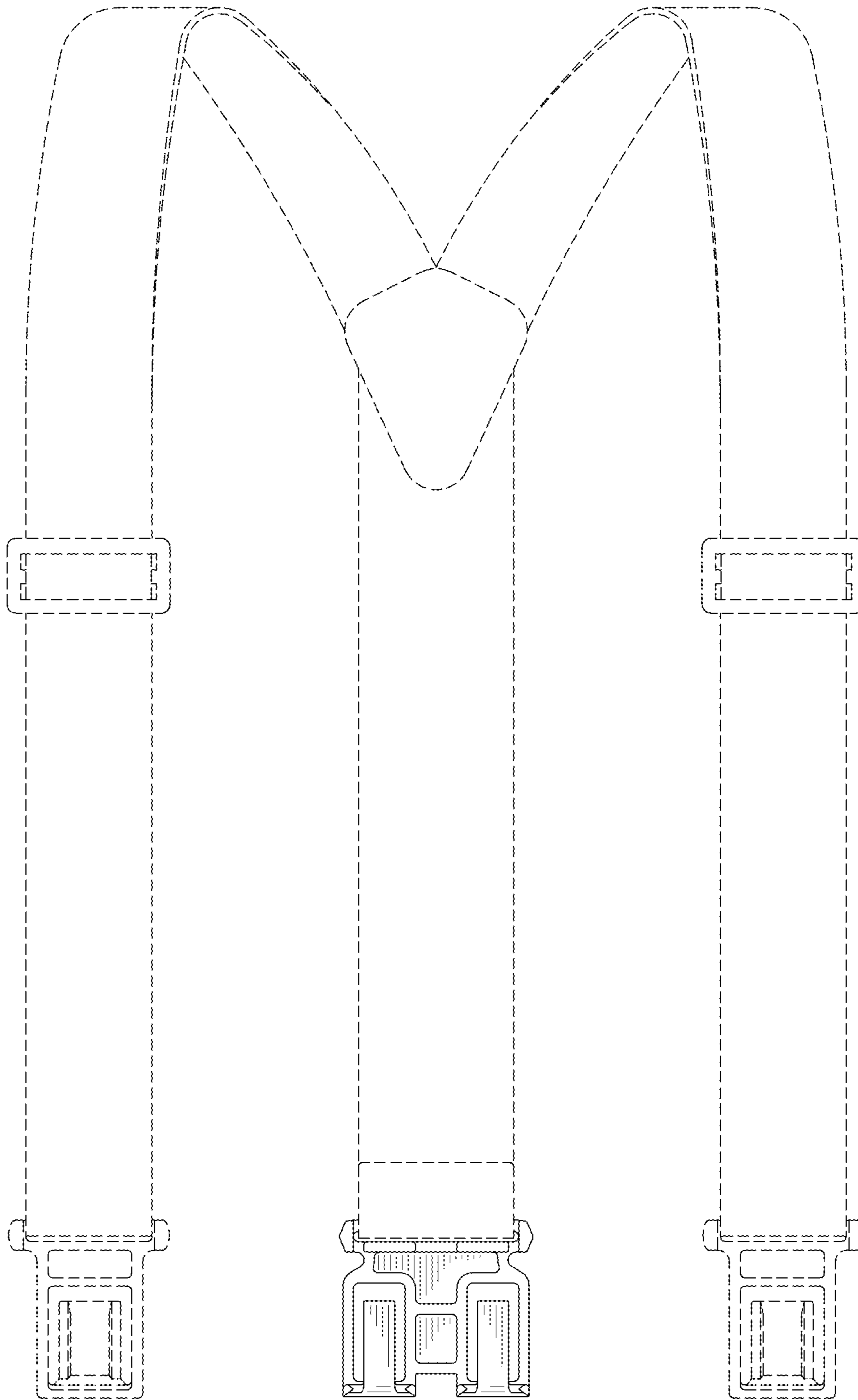


FIG. 9