



US00D949510S

(12) **United States Design Patent**
Berwin et al.

(10) **Patent No.:** **US D949,510 S**
(45) **Date of Patent:** **** Apr. 19, 2022**

- (54) **PALLET**
- (71) Applicant: **Pallets.com LLC**, Chesterfield, MO (US)
- (72) Inventors: **Michael John Berwin**, Wildwood, MO (US); **Kevin Joseph Berwin**, Chesterfield, MO (US); **Timothy Joseph Berwin**, St. Charles, MO (US)
- (73) Assignee: **PALLETS.COM LLC**, Chesterfield, MO (US)
- (**) Term: **15 Years**
- (21) Appl. No.: **29/744,613**
- (22) Filed: **Jul. 30, 2020**

3,709,162 A	1/1973	Roper	
3,768,423 A	10/1973	Cook, III	
D229,042 S *	11/1973	Melnik et al.	D34/38
3,948,190 A	4/1976	Cook, III	
4,183,491 A	1/1980	Sanders et al.	
D259,189 S *	5/1981	Wilson	D34/38
4,408,544 A	10/1983	Haataja	
4,674,414 A	6/1987	Nulle	
D300,075 S *	2/1989	Sahm, Jr.	D34/38
5,042,396 A	8/1991	Shuert	
5,142,994 A	9/1992	Sandberg	
D369,743 S *	5/1996	Pintar	D34/38
5,667,065 A	9/1997	Fahrion	
D399,631 S *	10/1998	Campbell	D34/38
D417,539 S	12/1999	Koskinen	
D445,986 S *	7/2001	Stanek	D34/38
6,382,108 B1	5/2002	Stanek	

(Continued)

Related U.S. Application Data

- (63) Continuation of application No. 16/444,848, filed on Jun. 18, 2019.
- (51) **LOC (13) Cl.** **09-08**
- (52) **U.S. Cl.**
USPC **D34/38**
- (58) **Field of Classification Search**
USPC D34/38
CPC B65D 2519/00069; B65D 2519/00034;
B65D 2519/00288; B65D 2519/00024;
B65D 2519/00268
See application file for complete search history.

References Cited

U.S. PATENT DOCUMENTS

3,228,358 A	1/1966	Sepe
3,433,184 A	3/1969	Addy
3,611,952 A	10/1971	Hoffman
3,680,495 A	8/1972	Pike
3,702,100 A	11/1972	Wharton

FOREIGN PATENT DOCUMENTS

NL 9002386 6/1991

Primary Examiner — Cynthia Ramirez

(74) *Attorney, Agent, or Firm* — Sandberg Phoenix & von Gontard P.C.

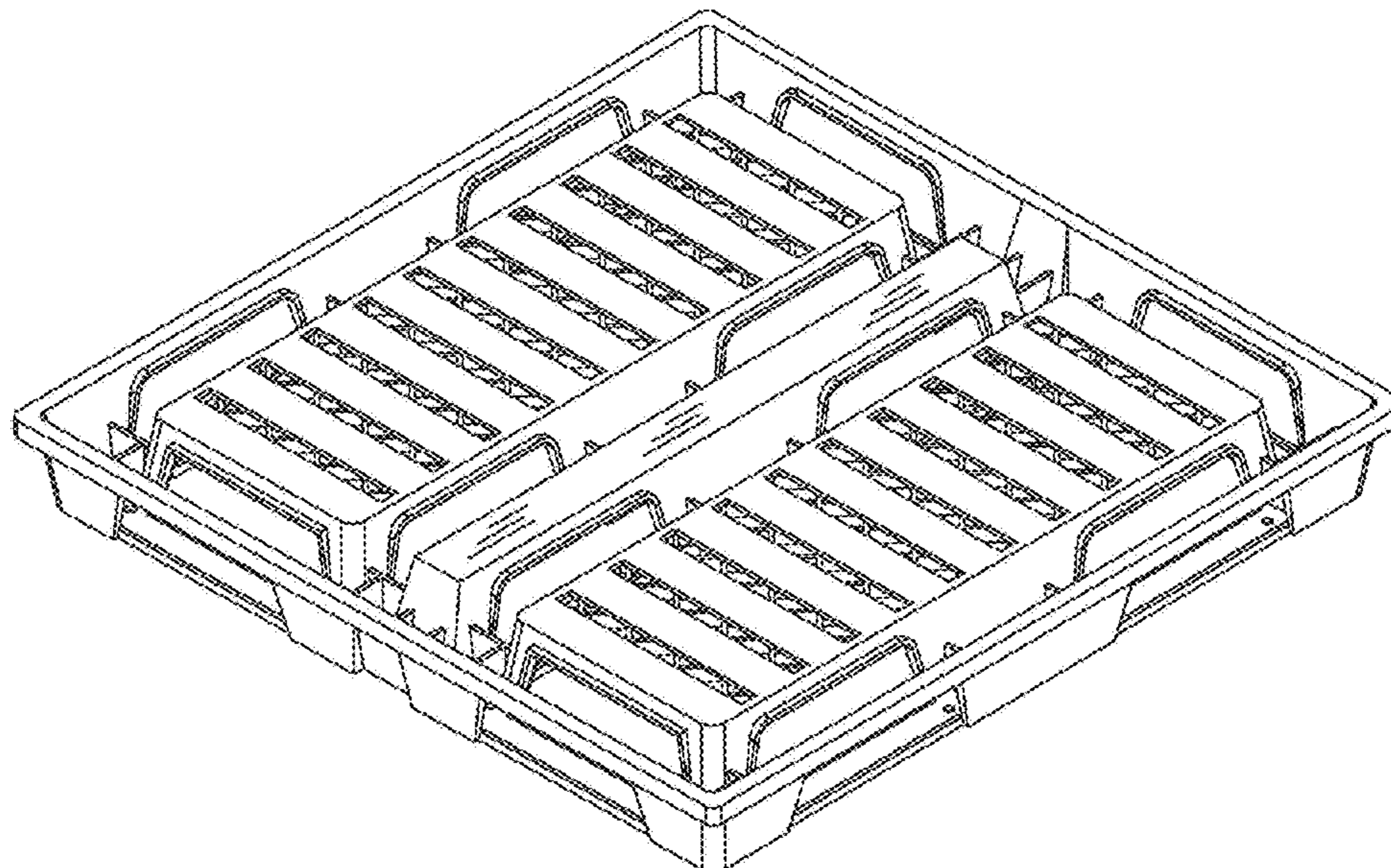
(57) **CLAIM**

The ornamental design for a pallet, as shown and described.

DESCRIPTION

FIG. 1 is a top perspective view of a pallet showing our new design.
 FIG. 2 is a bottom perspective view of the pallet.
 FIG. 3 is a top plan view of the pallet.
 FIG. 4 is a bottom plan view of the pallet.
 FIG. 5 is a front elevation view of the pallet, the rear elevation view of the pallet being a mirror image thereof; and,
 FIG. 6 is a right side elevation view of the pallet, the left side elevation view of the pallet being a mirror image thereof.

1 Claim, 5 Drawing Sheets



(56)

References Cited

U.S. PATENT DOCUMENTS

D607,174	S	*	12/2009	Schulte	D34/38
D655,475	S	*	3/2012	Lin	D34/38
8,356,562	B2		1/2013	Palmer		
9,751,657	B2		9/2017	Cote		
10,017,296	B2		7/2018	Burk		
D925,158	S	*	7/2021	Ramon	D34/38
2005/0000395	A1		1/2005	Apps		
2007/0181045	A1		8/2007	Smyers		
2008/0011205	A1		1/2008	Haaf		
2010/0043676	A1	*	2/2010	Apps	B65D 19/004 108/53.3
2011/0232539	A1		9/2011	Broerman		
2012/0291678	A1		11/2012	Howland		
2013/0136573	A1		5/2013	Barry		
2013/0139734	A1		6/2013	Scanzillo		
2014/0238278	A1		8/2014	Nepper		
2014/0345500	A1		11/2014	Dunn		
2015/0040803	A1		2/2015	Burk		
2015/0284129	A1		10/2015	Lindley		
2017/0008667	A1		1/2017	Shuert		
2017/0297765	A1	*	10/2017	Guerry	B65D 19/04

* cited by examiner

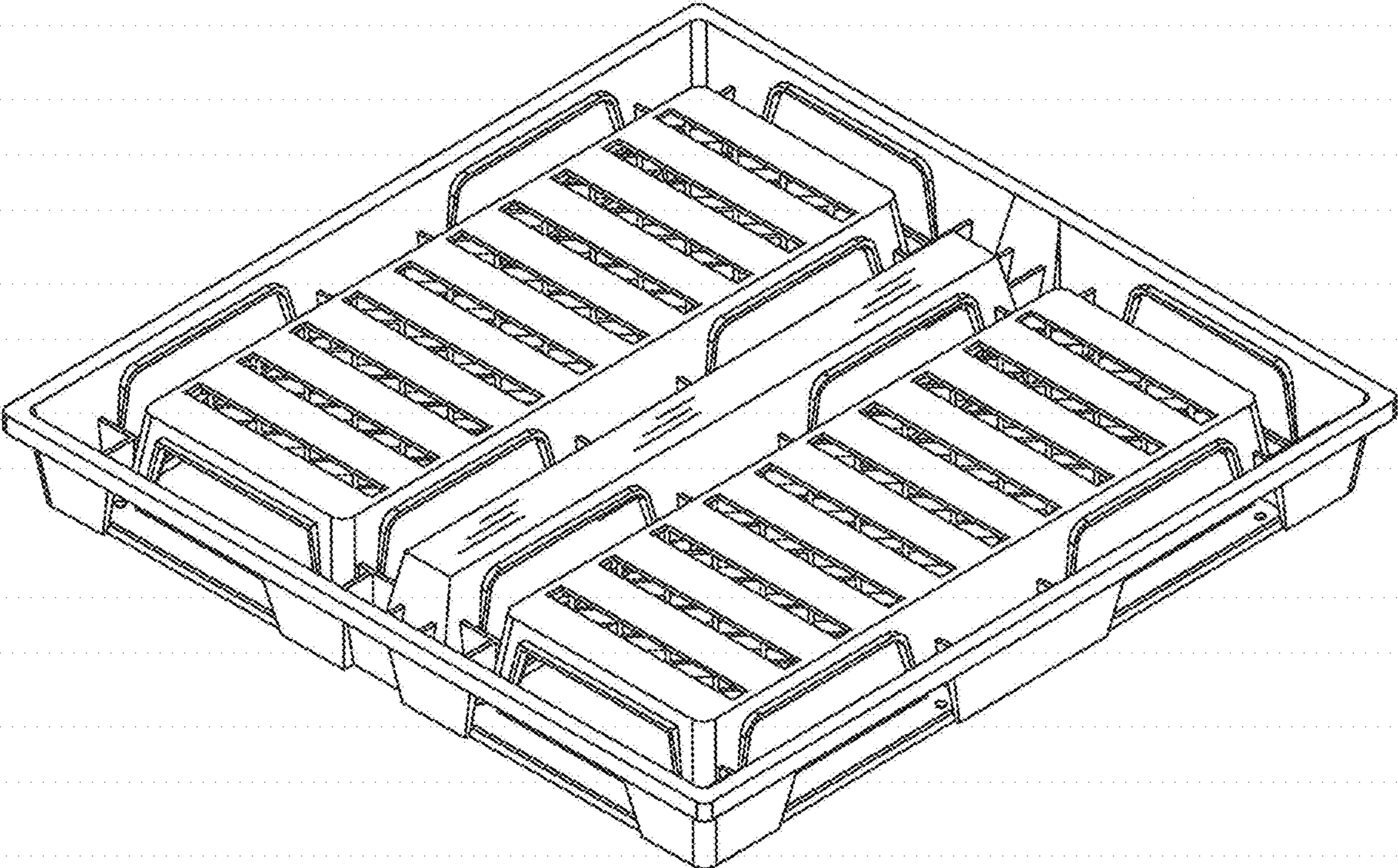


FIG. 1

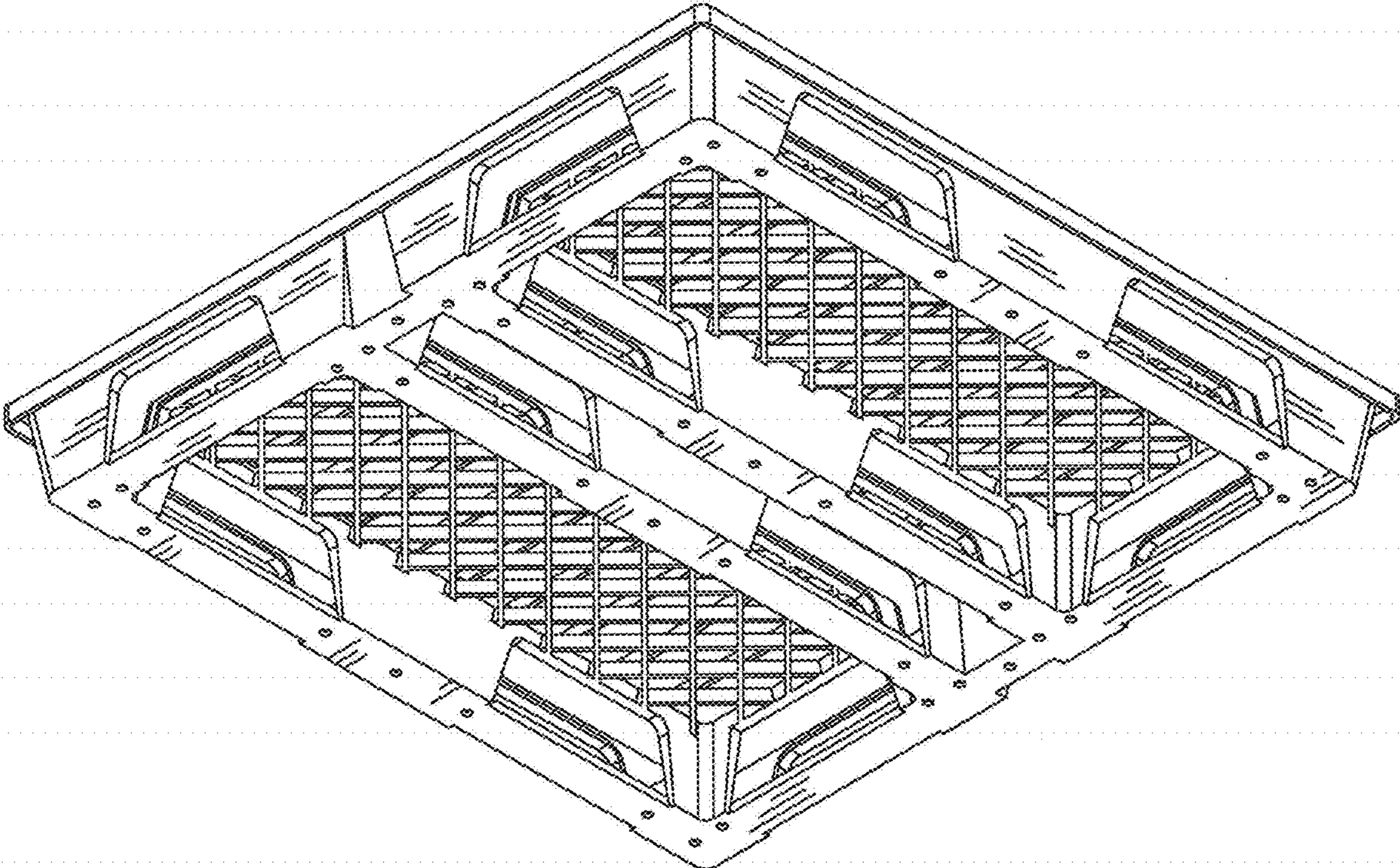


FIG. 2

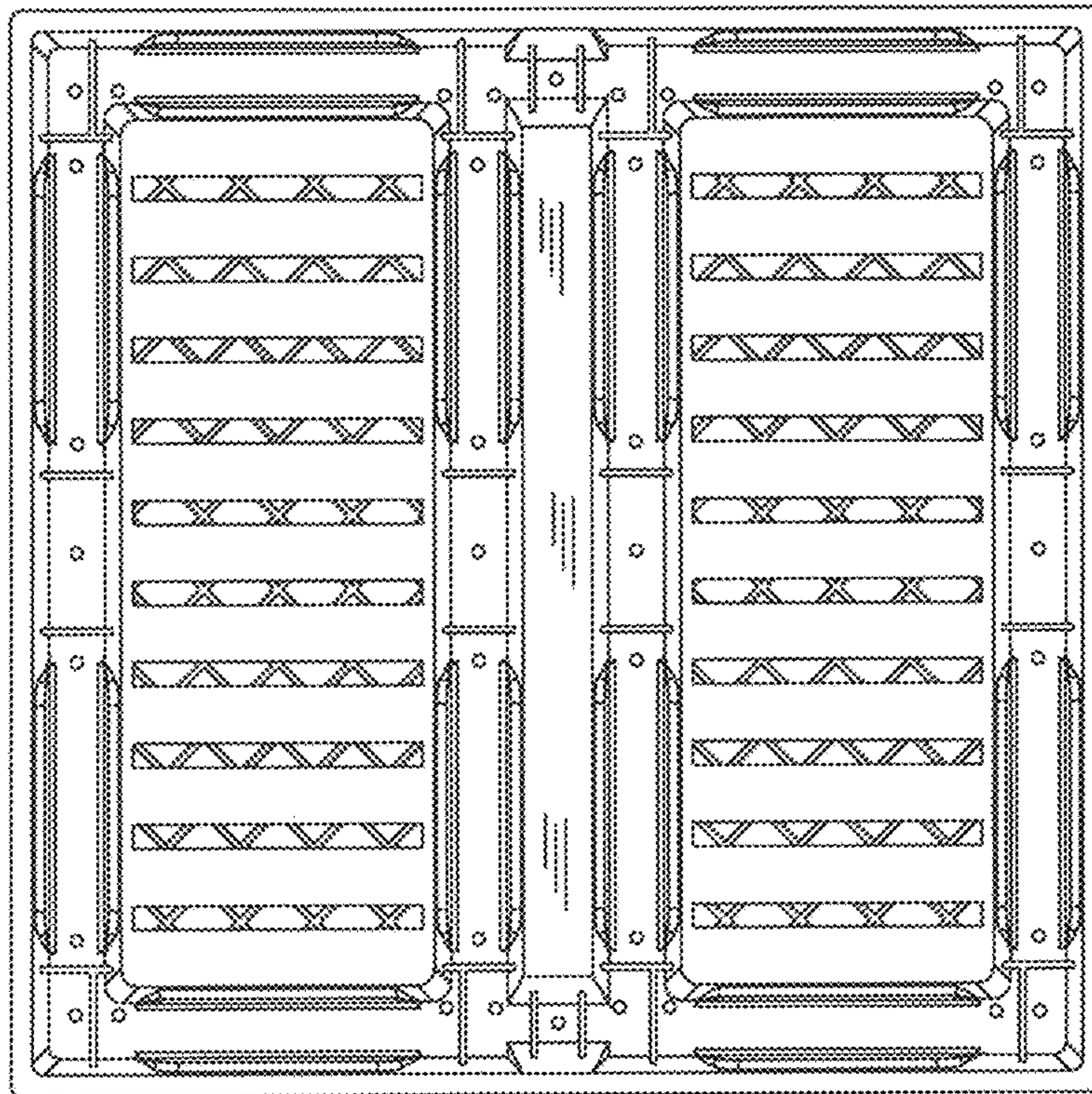


FIG. 3

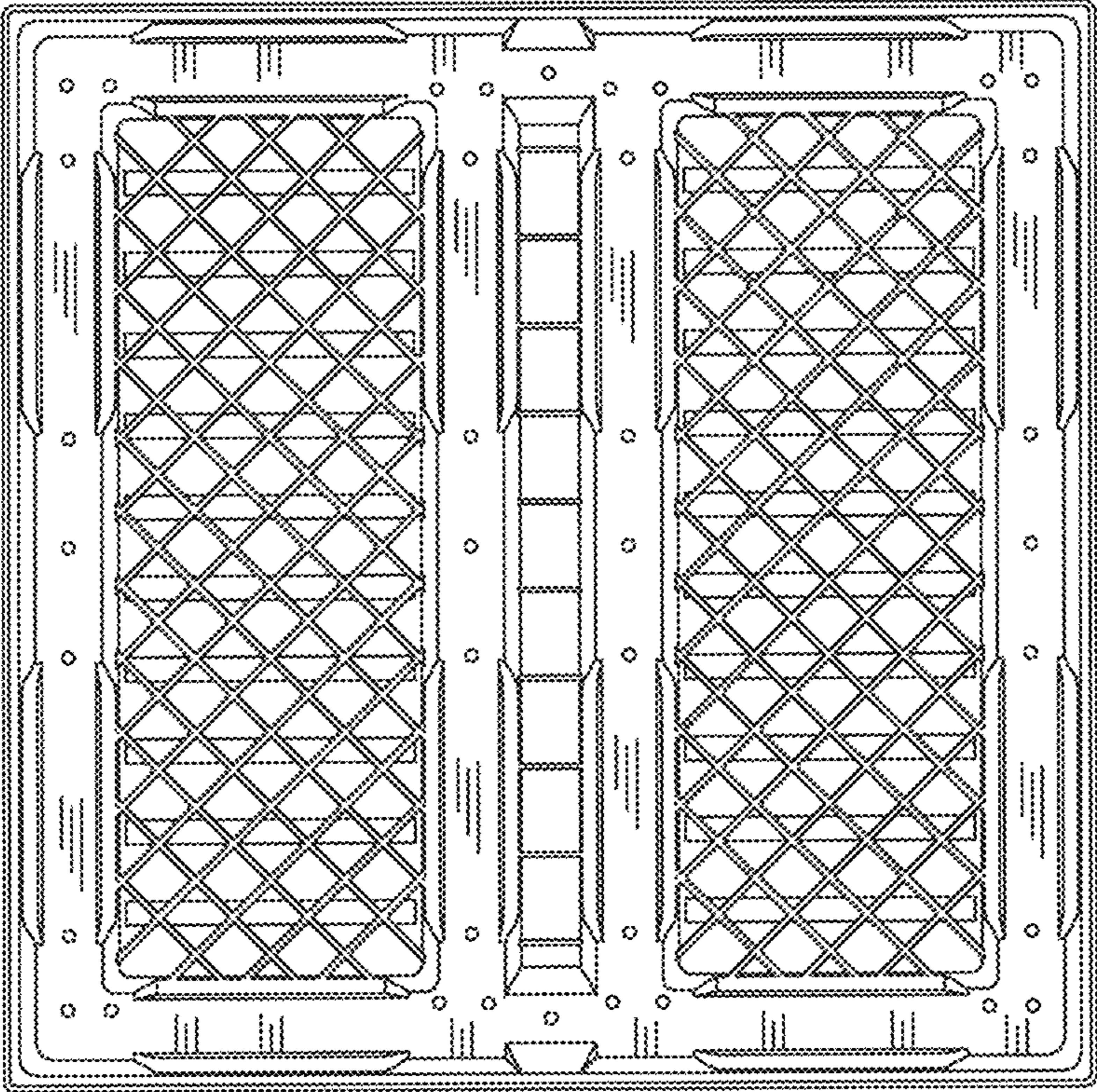


FIG. 4

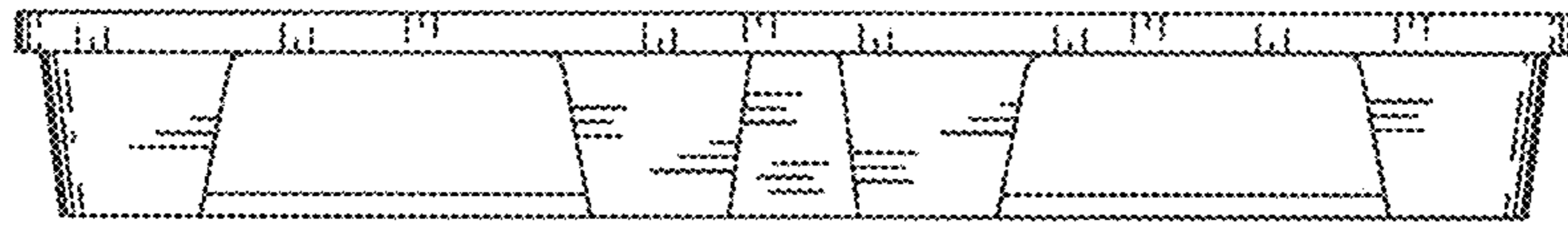


FIG. 5

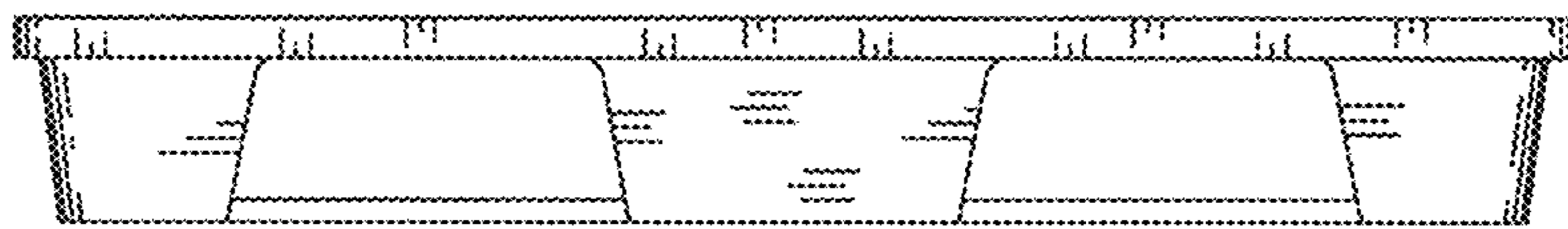


FIG. 6