



US00D949509S

(12) **United States Design Patent**
Uran et al.

(10) **Patent No.: US D949,509 S**
(45) **Date of Patent: ** Apr. 19, 2022**

- (54) **PART FOR A PALLET**
- (71) Applicant: **CHEP Technology Pty Limited,**
Sydney (AU)
- (72) Inventors: **Daniel Lopez Uran,** Surrey (GB);
Malcolm Charles Cant, Berkshire
(GB)
- (73) Assignee: **CHEP Technology Pty Limited,**
Sydney (AU)

3,699,900	A *	10/1972	Carlson	B65D 21/0234
				108/53.1
3,759,193	A *	9/1973	Branch	B65D 19/0097
				108/53.3
4,212,093	A	7/1980	Lombard	
6,979,005	B1	12/2005	McLerran	
D690,188	S *	9/2013	Pontus	D8/349
D794,420	S *	8/2017	Emmons	D8/349
D822,306	S *	7/2018	Veenhof	D34/35
10,814,774	B2 *	10/2020	Millett	B60R 7/02
2017/0349085	A1 *	12/2017	Preston	B60P 7/0892

- (**) Term: **15 Years**
- (21) Appl. No.: **29/713,474**
- (22) Filed: **Nov. 15, 2019**

FOREIGN PATENT DOCUMENTS

DE	20103552	5/2001
DE	20219619	4/2003
DE	20309286	10/2003
DE	202005003786	9/2005

(Continued)

(30) **Foreign Application Priority Data**

May 15, 2019 (EM) 006464624-0003

- (51) **LOC (13) Cl.** **09-08**
- (52) **U.S. Cl.**
USPC **D34/38**
- (58) **Field of Classification Search**
USPC D34/38; D8/349, 356
CPC B65D 2519/00293; B65D 19/0097; B65D
19/12; B65D 19/0012; B65D 2519/00273
See application file for complete search history.

Primary Examiner — Cynthia Ramirez

(74) *Attorney, Agent, or Firm* — Allen, Dyer, Doppelt +
Gilchrist, PA

(57) **CLAIM**

The ornamental design for a part for a pallet, as shown and described.

DESCRIPTION

FIG. 1 is a perspective view of a part for a pallet showing our new design;
 FIG. 2 is a left-side view thereof;
 FIG. 3 is an enlarged end view thereof;
 FIG. 4 is a right-side view thereof;
 FIG. 5 is an enlarged view of the other end thereof;
 FIG. 6 is a bottom view thereof; and,
 FIG. 7 is a top view thereof.

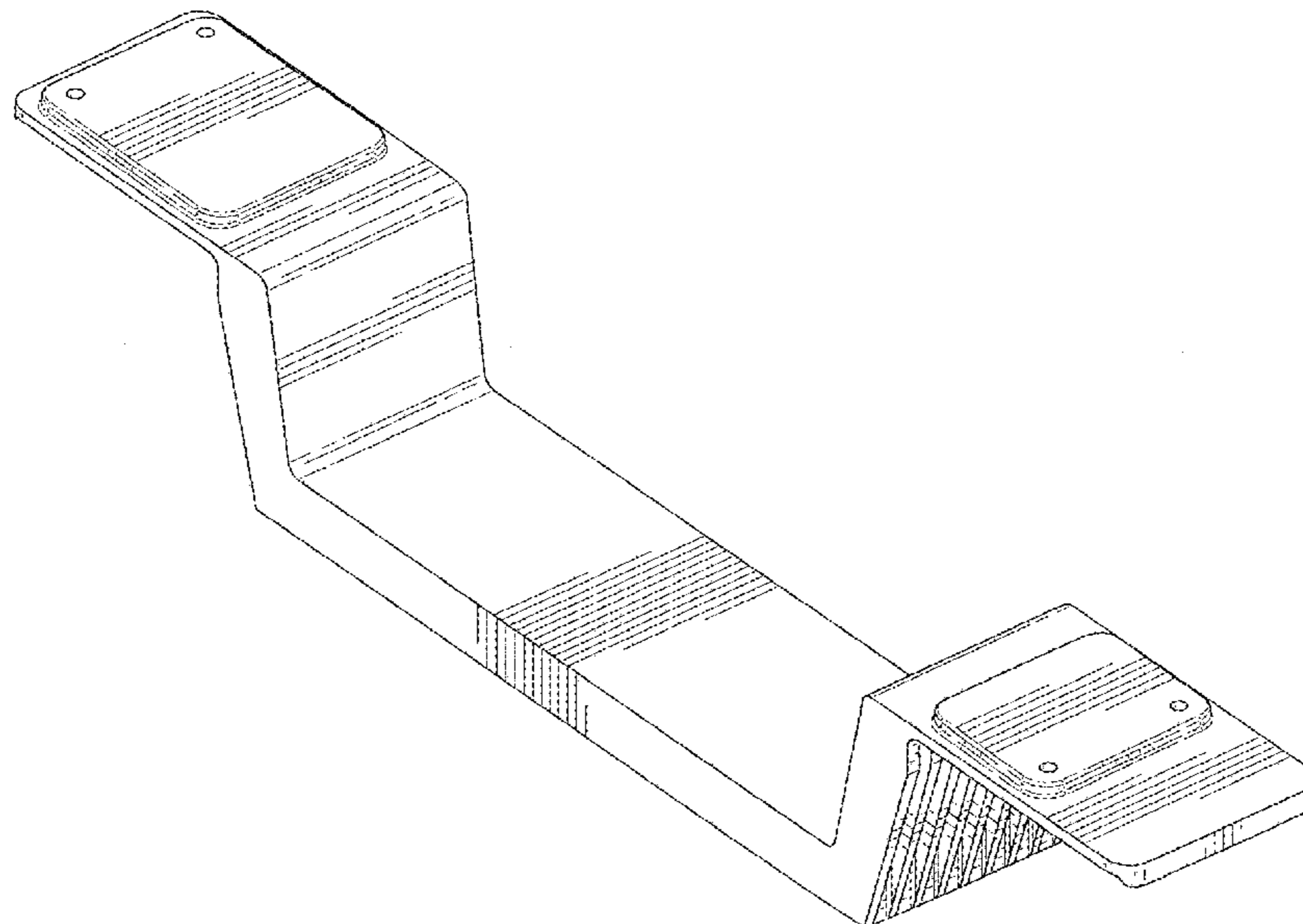
The broken lines shown in the figures are included for the purpose of illustrating portions of the part for a pallet which forms no part of the claimed design.

(56) **References Cited**

U.S. PATENT DOCUMENTS

1,749,270	A	3/1930	Young	
1,836,885	A	12/1931	Stuebing, Jr.	
2,126,278	A *	8/1938	Quayle	B65D 19/0075
				108/57.23
2,553,273	A	5/1951	Phillips	
2,706,099	A *	4/1955	Whalley	B65D 19/0028
				108/53.3
2,775,313	A	12/1956	Kurvers et al.	
D213,713	S *	4/1969	Tormey	D34/35

1 Claim, 5 Drawing Sheets



(56)

References Cited

FOREIGN PATENT DOCUMENTS

DE	102005012675	9/2006	EP	1927552	6/2008
DE	202010016859	3/2011	EP	2952440	6/2008
DE	202012103711	11/2012	EP	2860126	10/2013
DE	202012008319	1/2013	EP	2860127	10/2013
DE	202013007560	10/2013	EP	2952439	6/2014
DE	102012017221	3/2014	EP	2709921	12/2015
DE	102014002832	8/2015	EP	3124391	3/2016
DE	M9506570-0001	9/2015	EP	3254983	6/2016
DE	202014007703	1/2016	EP	2671815	10/2016
DE	102015107353	3/2016	EP	3098136	11/2016
DE	202017004490	1/2018	EP	2547595	8/2017
DE	202018000701	2/2018	EP	2965998	8/2017
DE	402017203993-0002	2/2018	EP	3093250	11/2017
DE	402017203993-0003	2/2018	EP	3254984	12/2017
DE	402017203993-0004	2/2018	EP	3330196	8/2018
DE	402017203993-0001	3/2018	EP	3372519	9/2018
DE	202018006182	6/2019	EP	3480128	5/2019
DE	102018125886	4/2020	EP	3533722	9/2019
EM	001172969-0012	11/2006	EP	3536624	9/2019
EM	000370234-0001	10/2007	EP	2623392	12/2019
EM	000370234-0002	10/2007	EP	2733043	12/2019
EM	000370234-0008	10/2007	EP	2733043	12/2019
EM	000370234-0009	10/2007	GB	904198	8/1962
EM	001172969-0016	5/2009	GB	2425999	11/2006
EM	001172969-0017	5/2009	GB	2465398	5/2010
EM	001172969-0018	5/2009	KR	19990036930	10/1999
EM	001172969-0019	5/2009	NL	1037178	5/2009
EM	001172969-0020	5/2009	WO	GB1045244	4/1987
EM	001172969-0021	5/2009	WO	GB2052205	8/1995
EM	001172969-0011	11/2009	WO	DM/035715-1	5/1996
EM	002365957-0001	12/2013	WO	GB2061785	6/1996
EM	002365957-0002	12/2013	WO	WO9625334	8/1996
EM	002365957-0003	12/2013	WO	DM/058297-1	1/2002
EP	0861194	7/2000	WO	WO0200515	1/2002
EP	0912408	5/2001	WO	WO2004037662	5/2004
EP	1744971	4/2004	WO	WO2009016339	2/2009
EP	1304293	9/2004	WO	WO2011046260	4/2011
EP	1689650	8/2006	WO	WO2011115674	9/2011
			WO	WO2014022498	2/2014
			WO	WO2016005136	1/2016
			WO	WO2016193538	12/2016
			WO	WO2019097389	5/2019

* cited by examiner

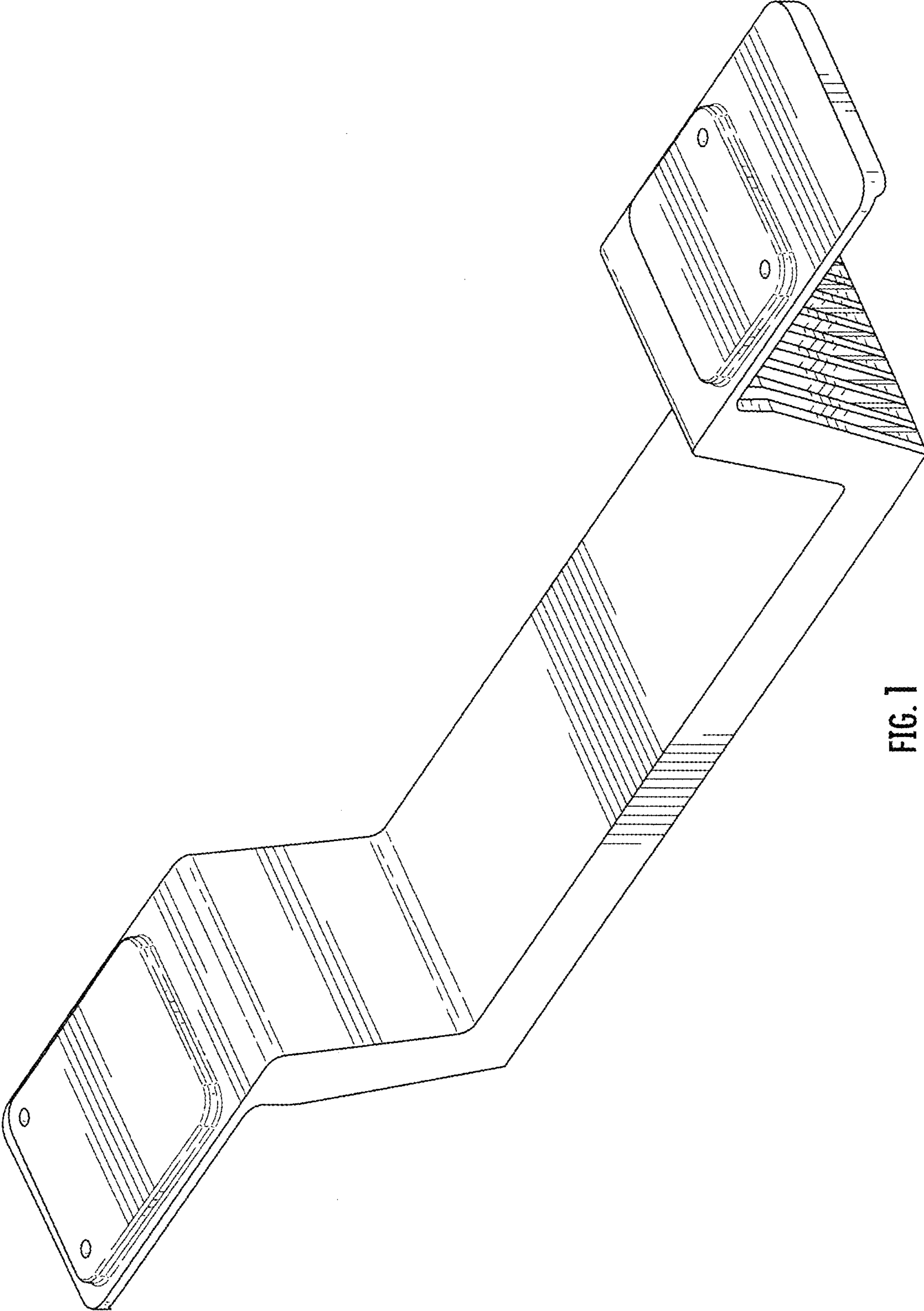


FIG. 1

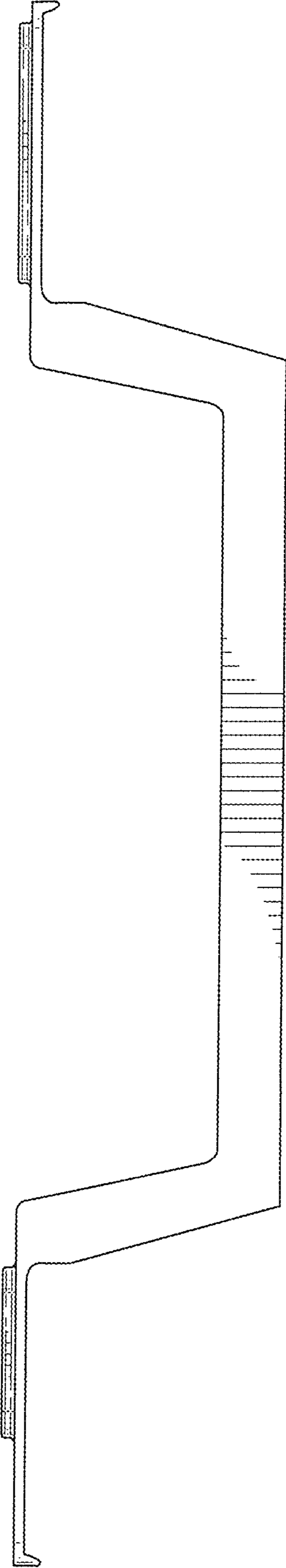


FIG. 2

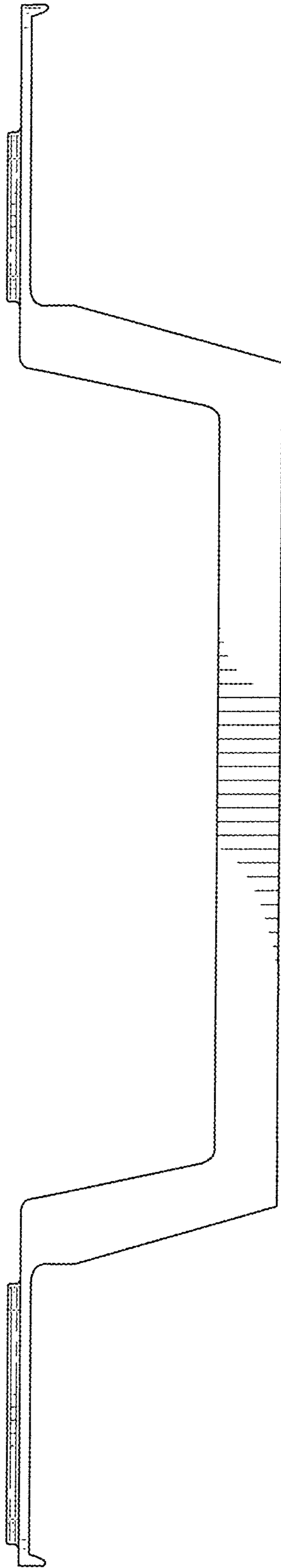


FIG. 3

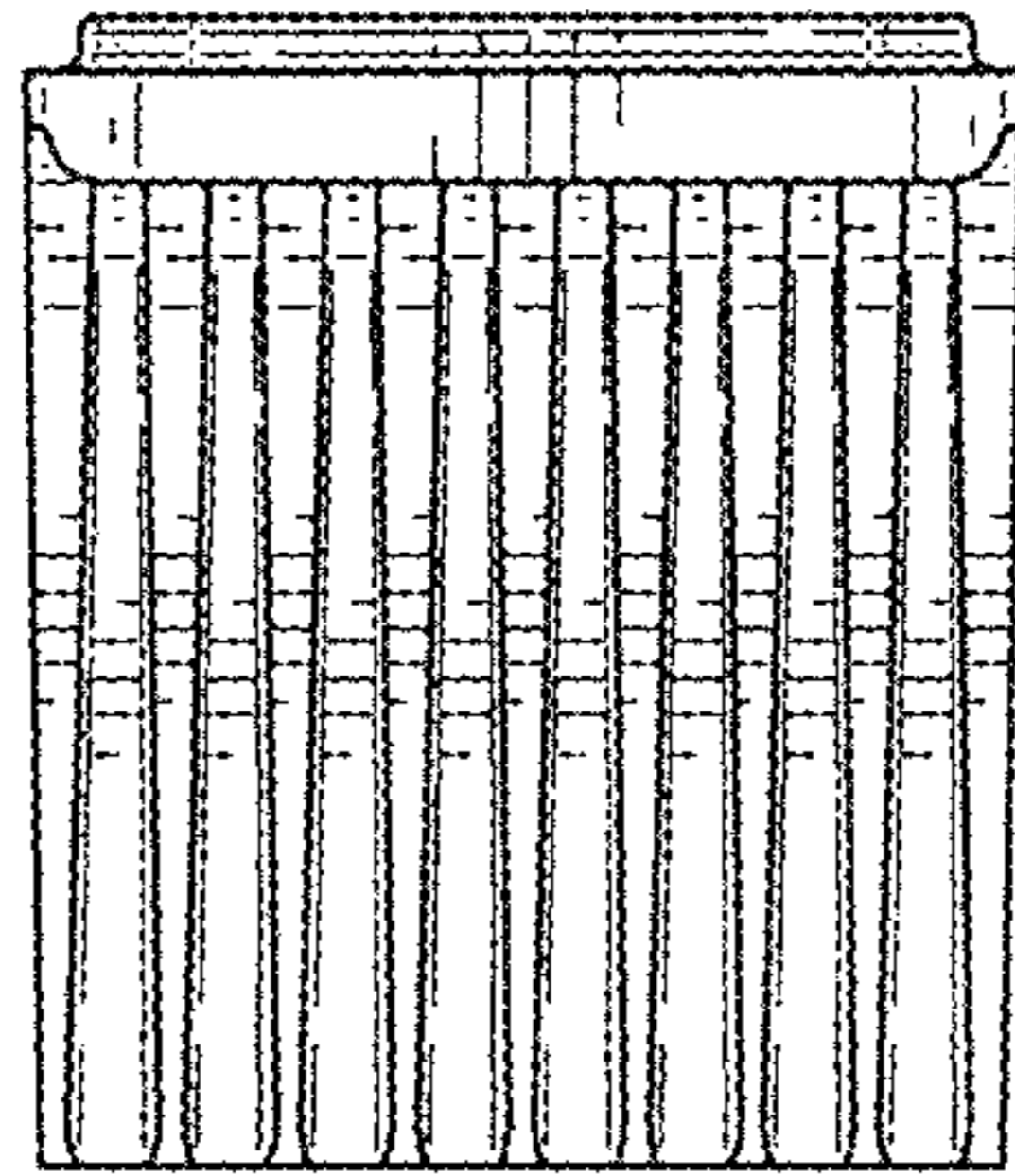


FIG. 4

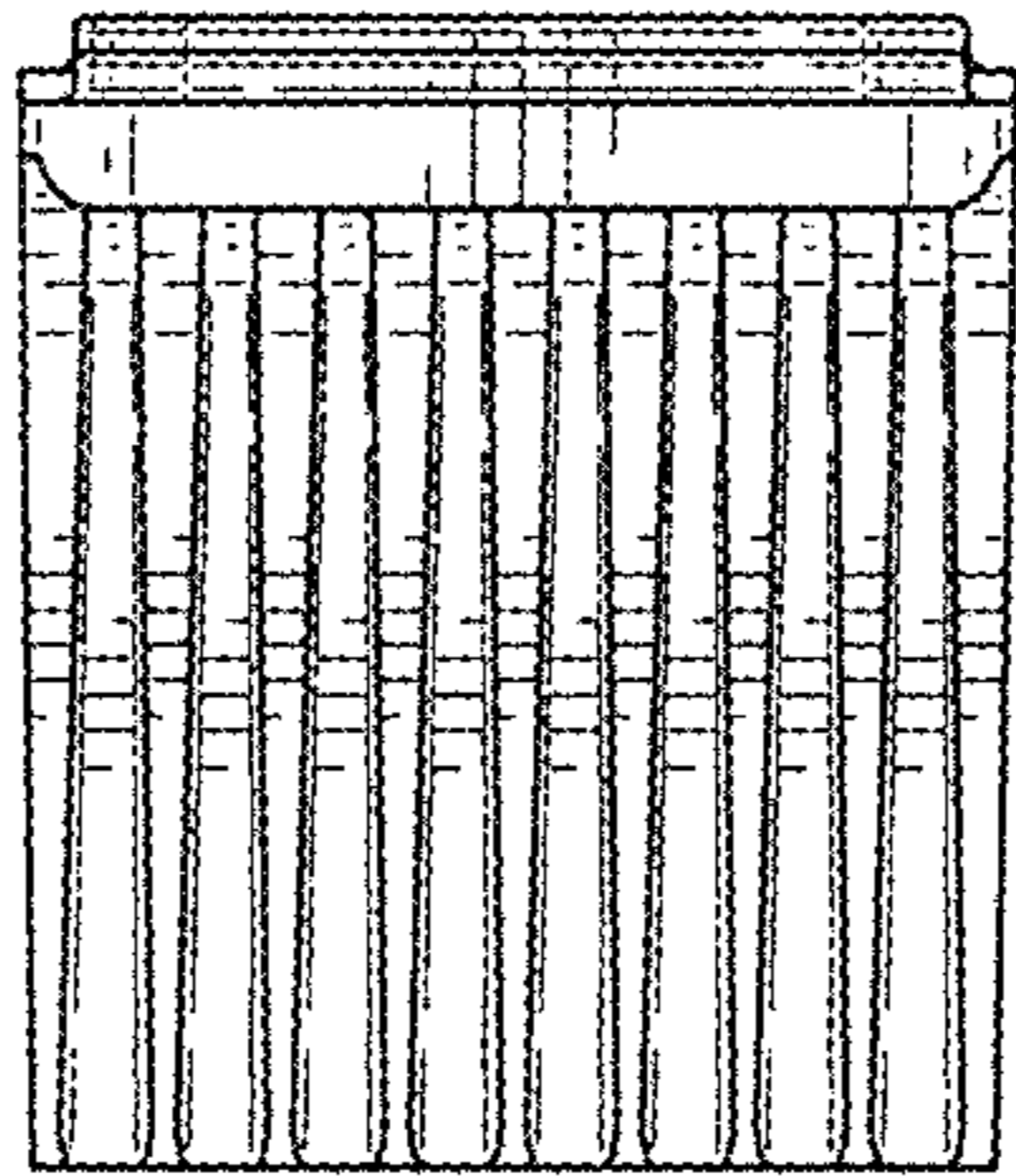


FIG. 5

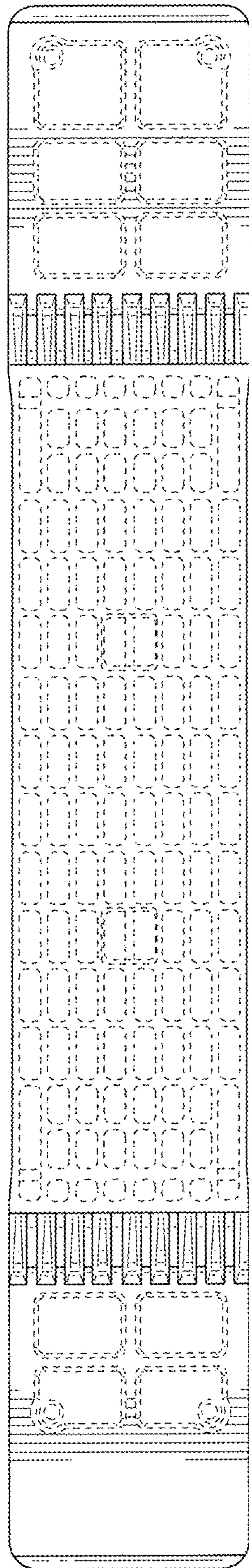


FIG. 6

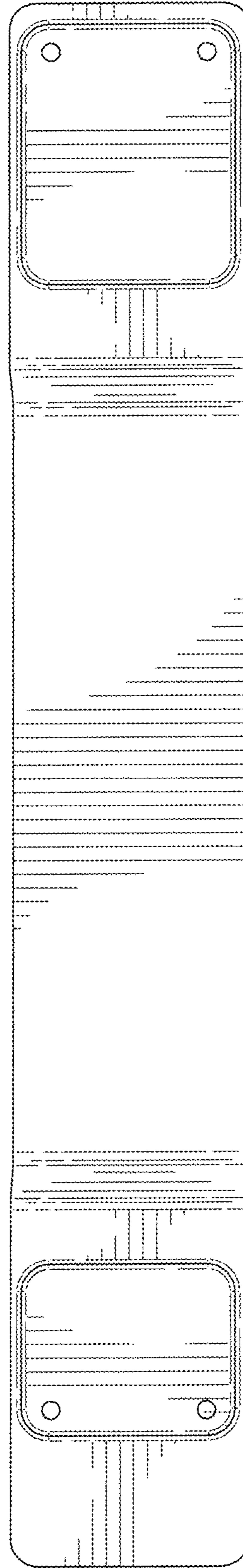


FIG. 7