



US00D949508S

(12) **United States Design Patent**  
**Sawant et al.**

(10) **Patent No.:** **US D949,508 S**  
(45) **Date of Patent:** **\*\* Apr. 19, 2022**

- (54) **STABLE JACK**
- (71) Applicants: **Ashish Sawant**, Palm Beach Gardens, FL (US); **Reji N. Nair**, Los Angeles, CA (US)
- (72) Inventors: **Ashish Sawant**, Palm Beach Gardens, FL (US); **Reji N. Nair**, Los Angeles, CA (US)
- (\*\*) Term: **15 Years**
- (21) Appl. No.: **29/732,740**
- (22) Filed: **Apr. 27, 2020**
- (51) **LOC (13) Cl.** ..... **12-05**
- (52) **U.S. Cl.**  
USPC ..... **D34/31**
- (58) **Field of Classification Search**  
USPC ..... D34/1-35  
CPC ..... B66F 1/00; B66F 3/24; B66F 3/44; B66F 5/00; B66F 5/02; B66F 5/04  
See application file for complete search history.

- 2008/0083913 A1\* 4/2008 Fang ..... B66F 5/04 254/8 B
- 2009/0189133 A1\* 7/2009 Sharp ..... B66D 3/04 254/384
- 2012/0032124 A1\* 2/2012 Drake ..... B66F 7/28 254/105

\* cited by examiner

*Primary Examiner* — Cynthia Ramirez  
*Assistant Examiner* — Tamara L Hahn

(57) **CLAIM**

The ornamental design for a stable jack, as shown and described.

**DESCRIPTION**

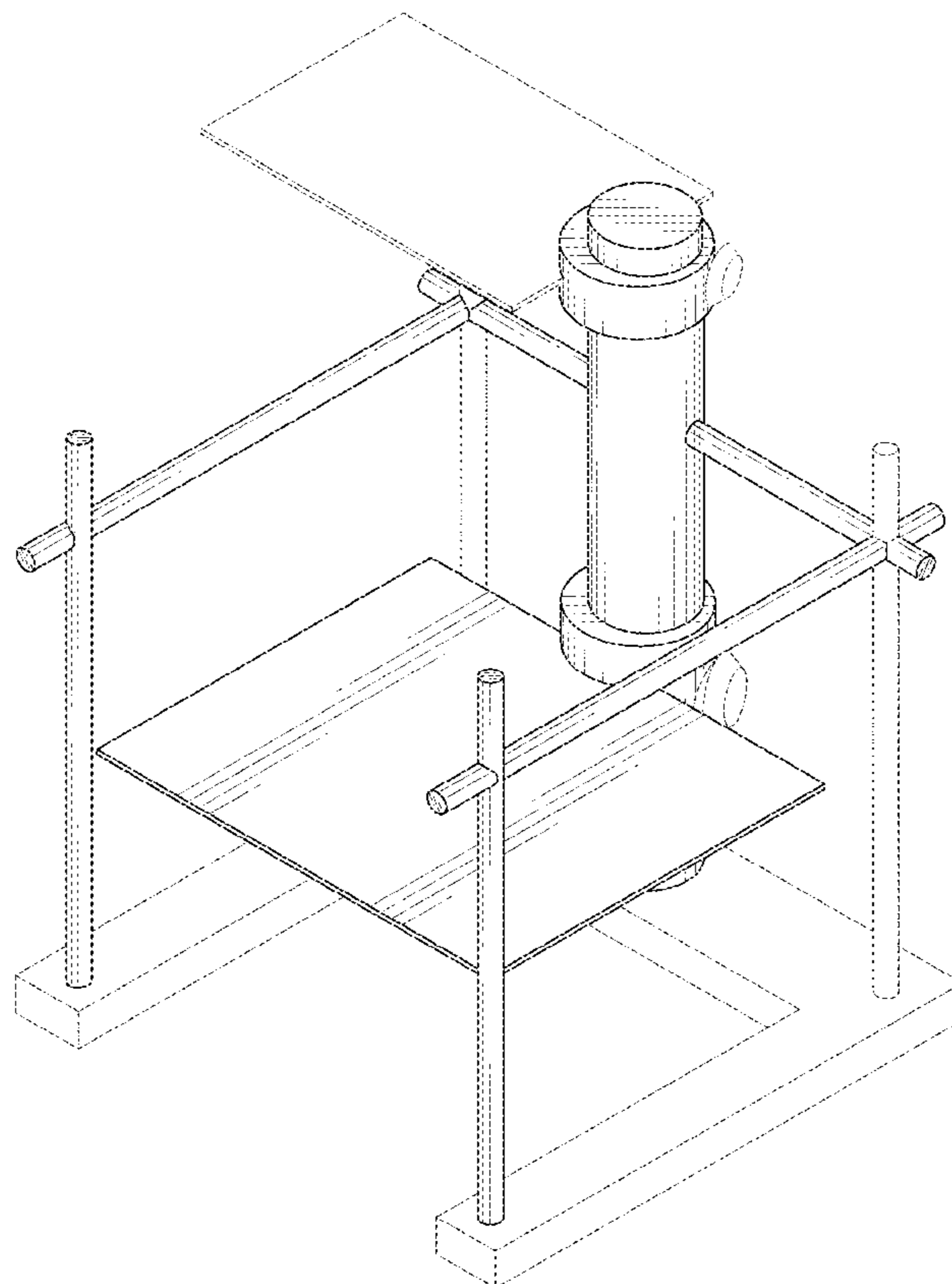
FIG. 1 is a front-top perspective view of a stable jack showing my new design;  
 FIG. 2 is a front-bottom perspective view thereof;  
 FIG. 3 is a rear-top perspective view thereof;  
 FIG. 4 is a rear-bottom perspective view thereof;  
 FIG. 5 is a front elevational view thereof;  
 FIG. 6 is a rear elevational view thereof;  
 FIG. 7 is a left elevational view thereof;  
 FIG. 8 is a right elevational view thereof;  
 FIG. 9 is a top plan view thereof; and,  
 FIG. 10 is a bottom plan view thereof.  
 The broken lines in the drawings depict portions of the stable jack that form no part of the claimed design.

**1 Claim, 10 Drawing Sheets**

(56) **References Cited**

**U.S. PATENT DOCUMENTS**

- D531,377 S \* 10/2006 Liu ..... D34/31
- D730,612 S \* 5/2015 James ..... D34/31
- D823,569 S \* 7/2018 Fox ..... D34/31
- 10,087,058 B1 \* 10/2018 Carlson ..... E06C 7/12
- D907,879 S \* 1/2021 Youngblutt ..... D34/31



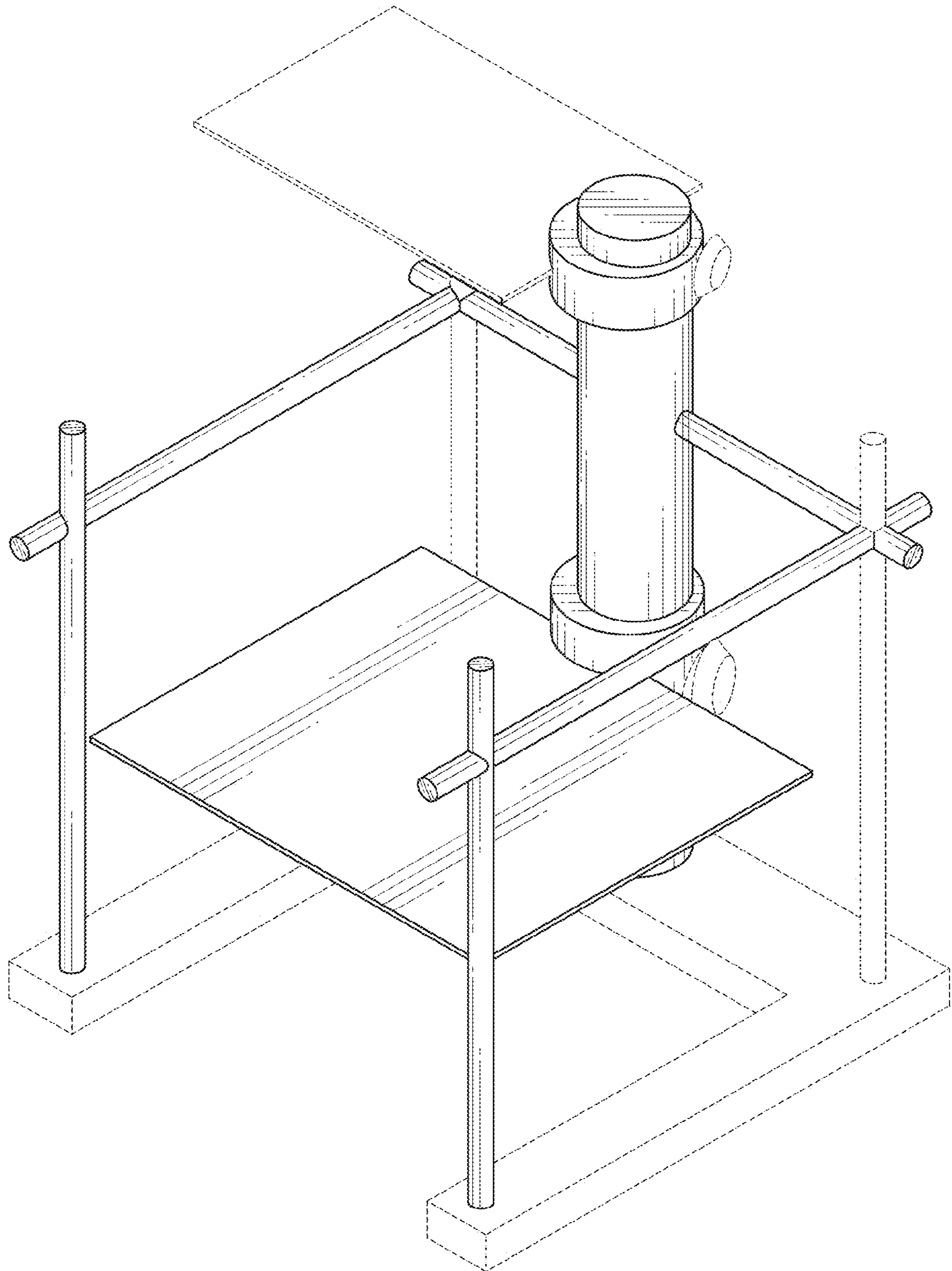


FIG. 1

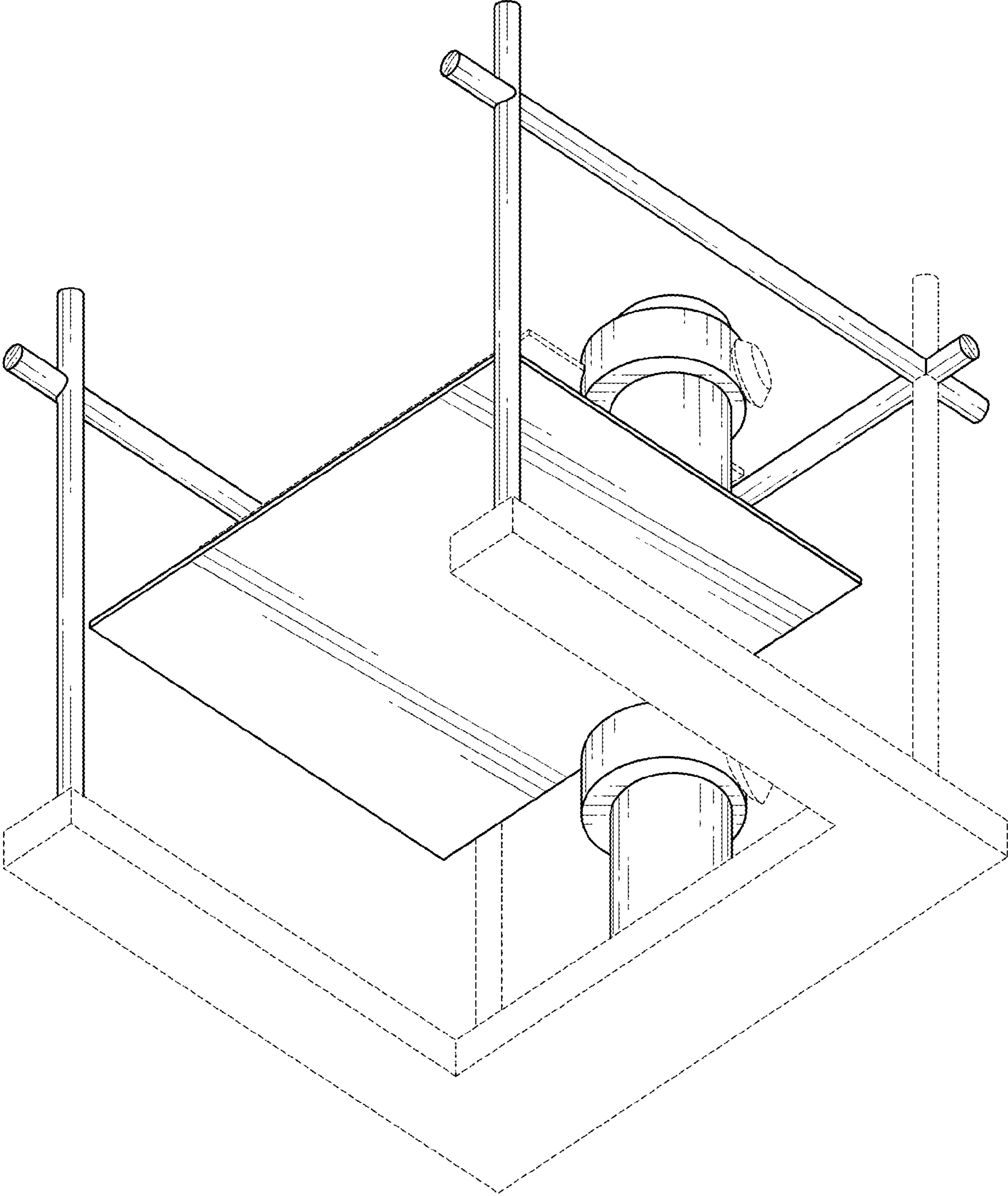


FIG. 2



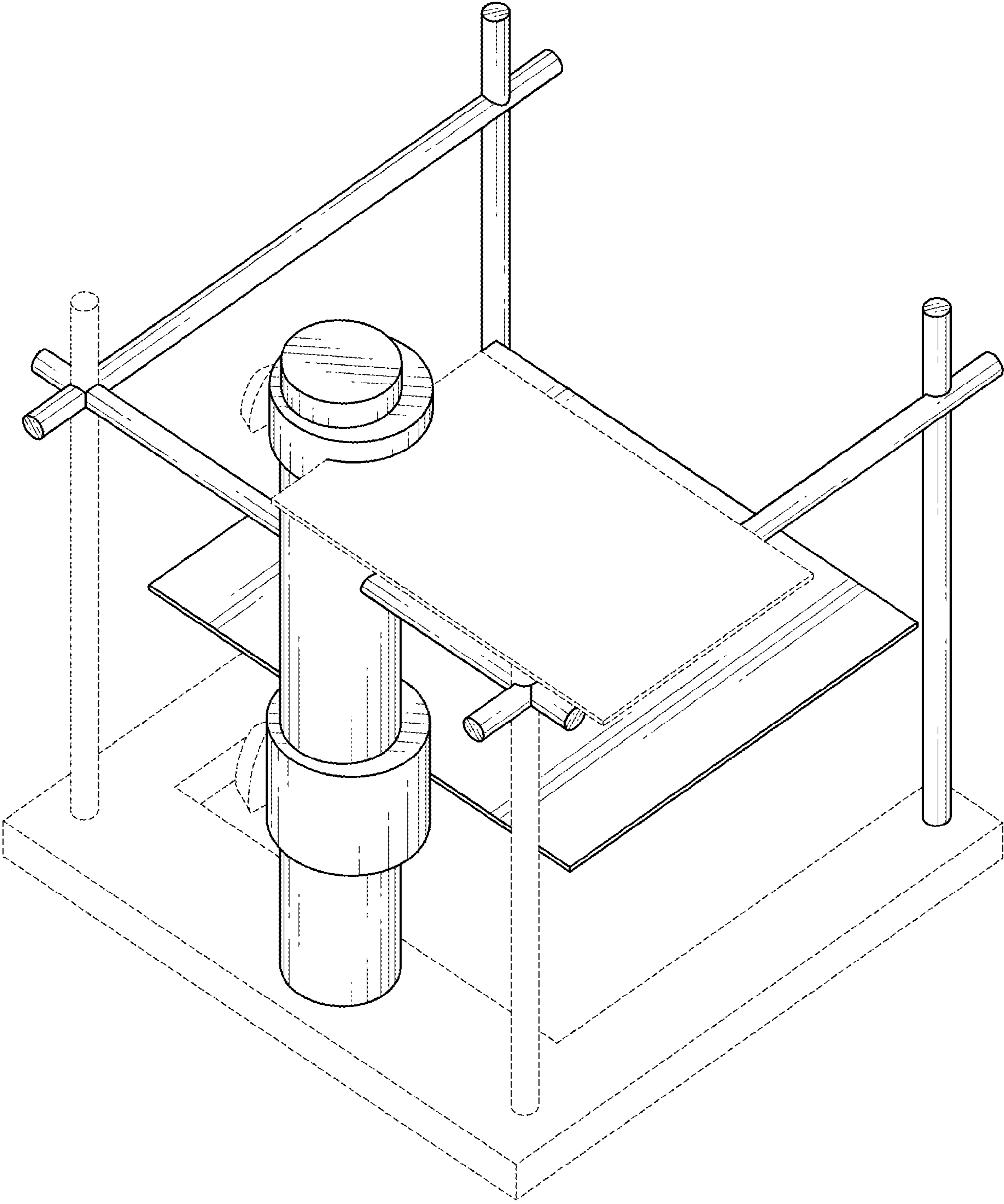


FIG. 3

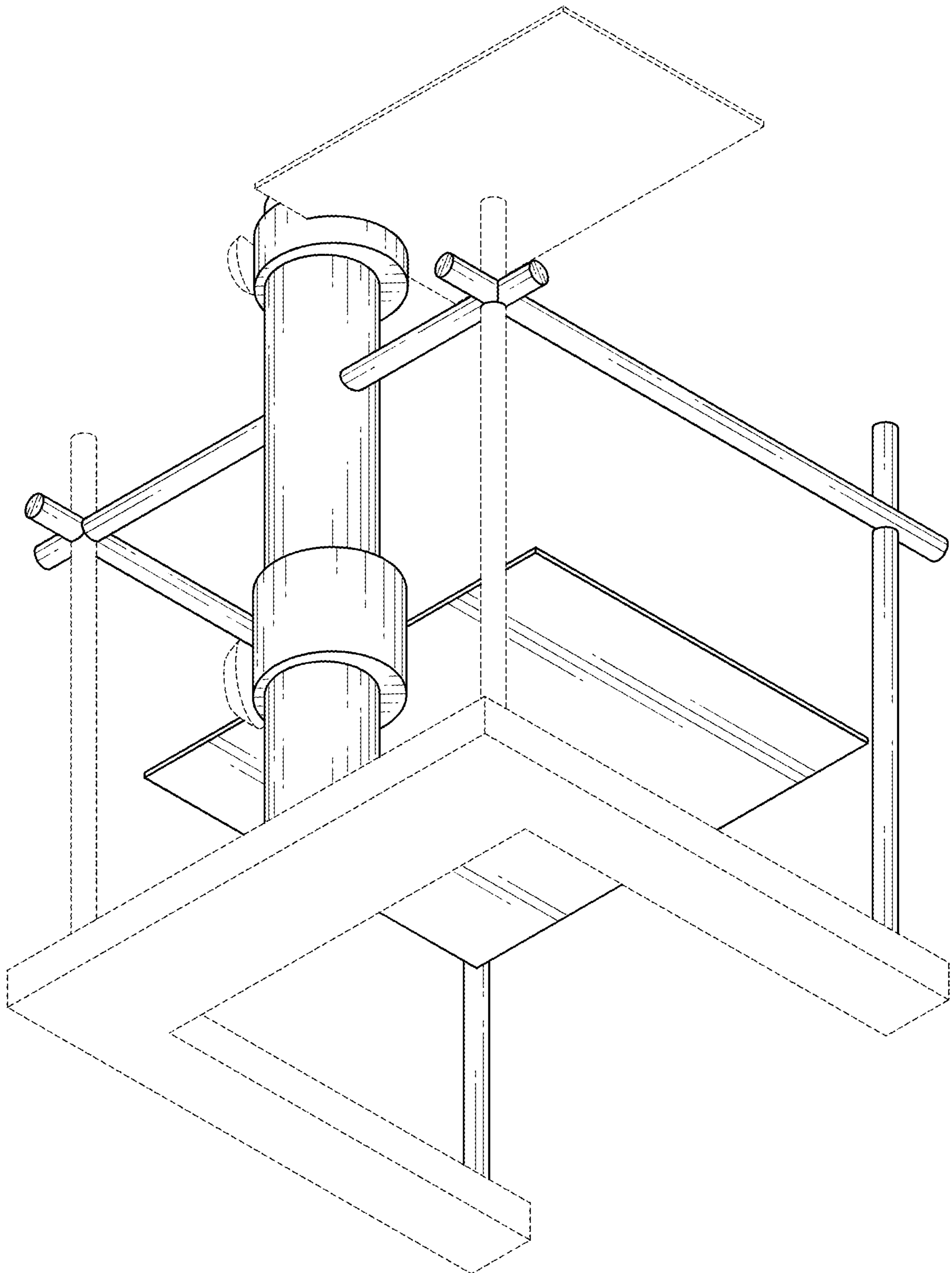


FIG. 4

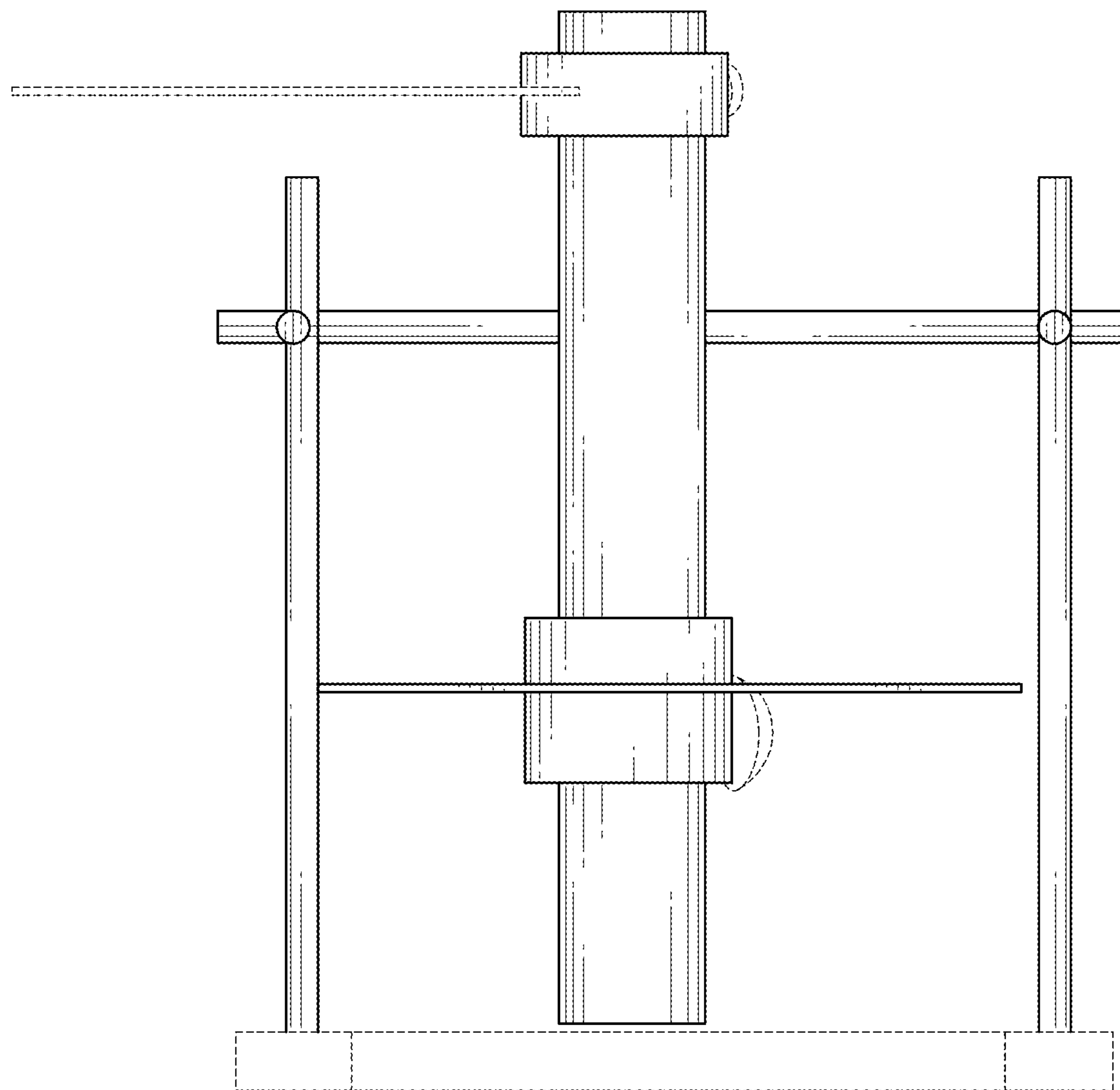


FIG. 5

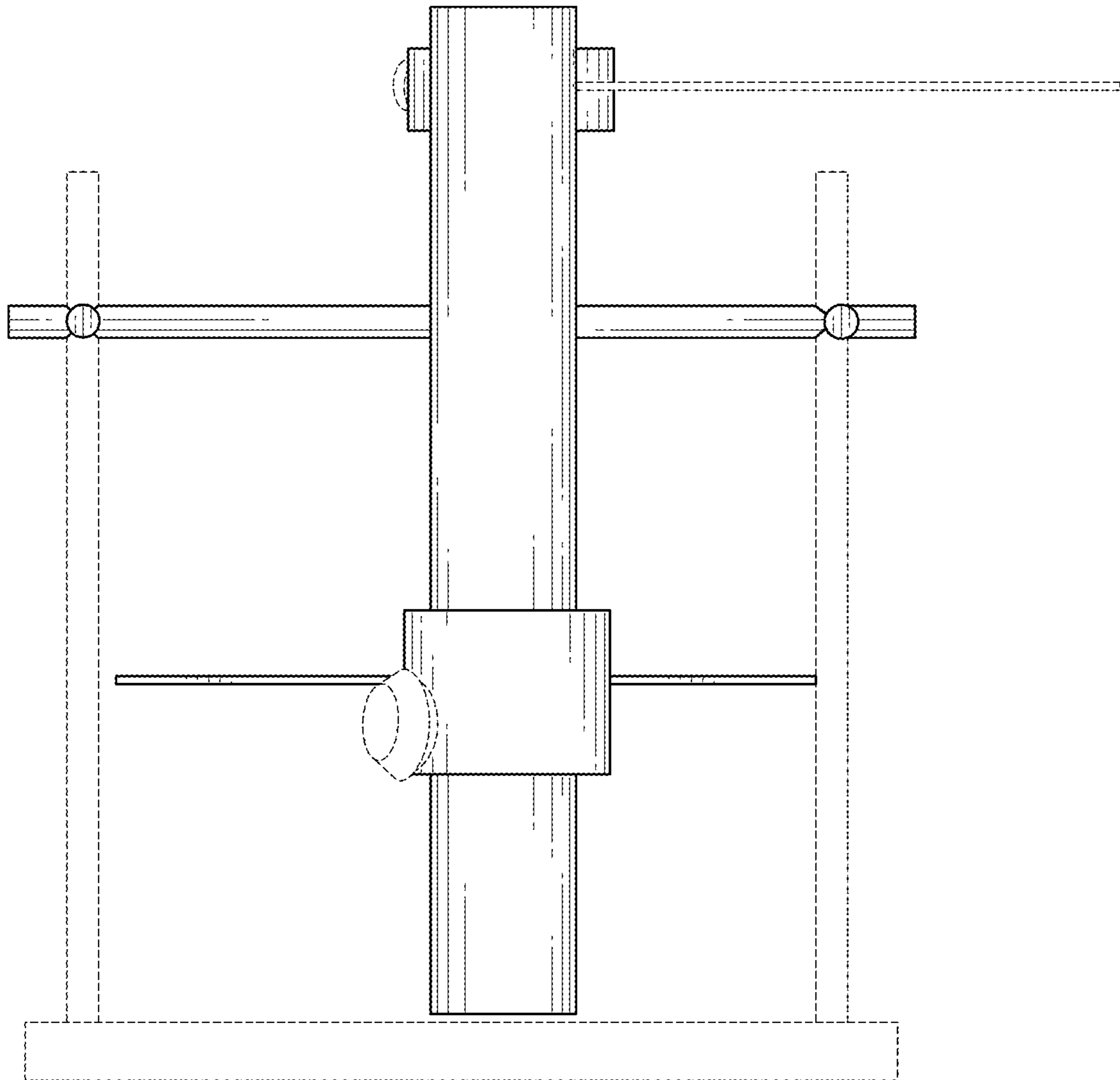


FIG. 6

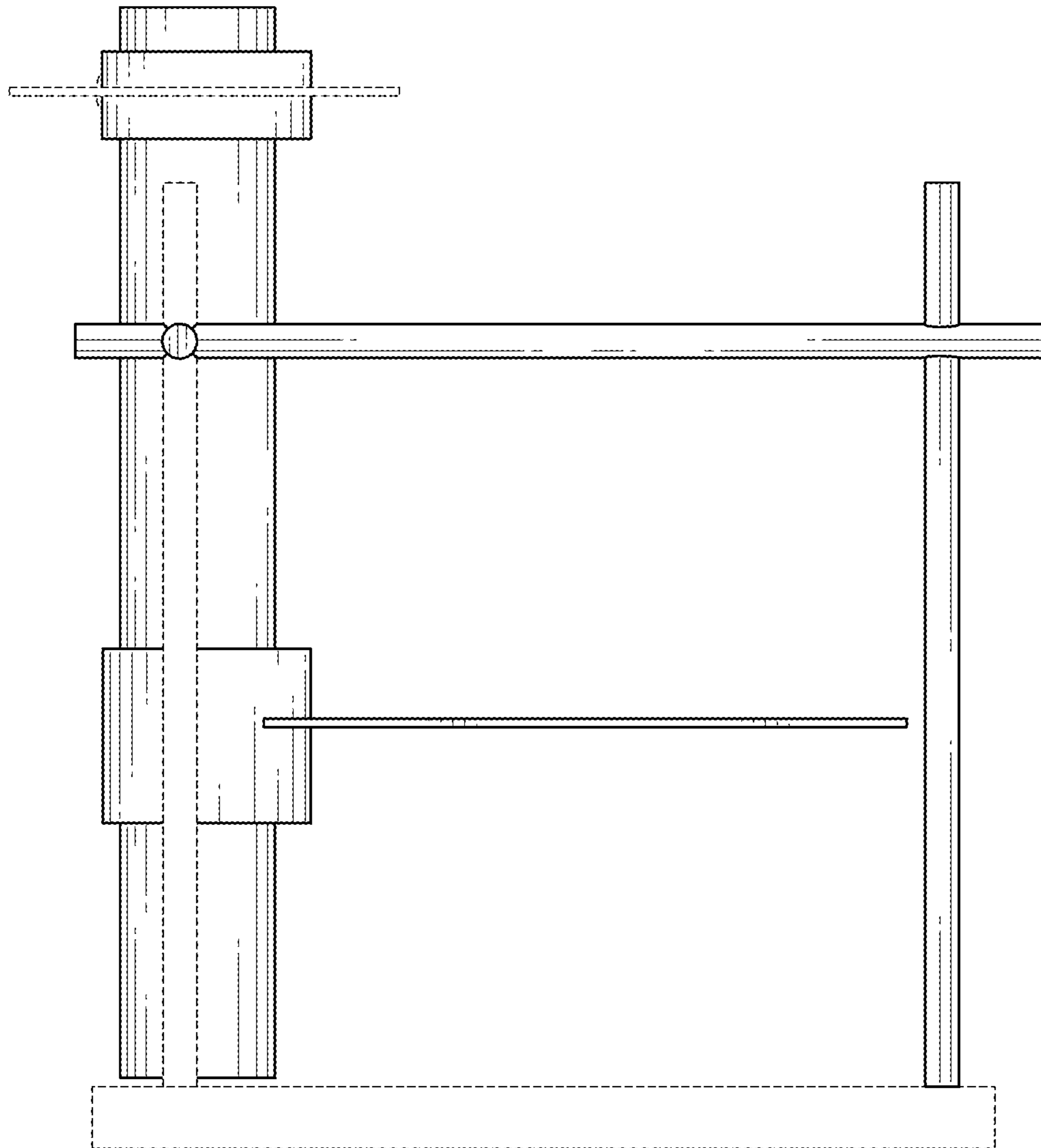


FIG. 7



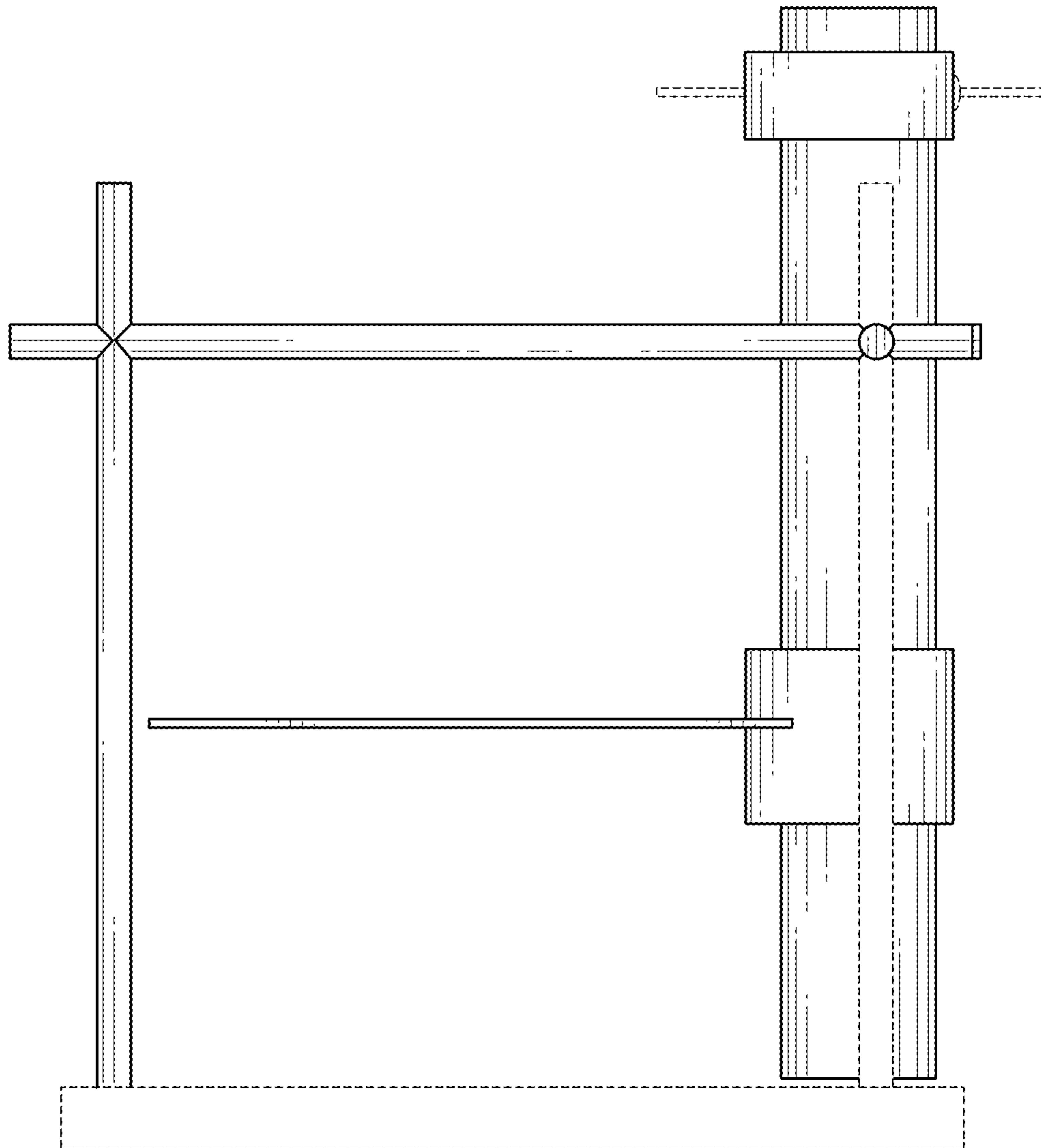


FIG. 8

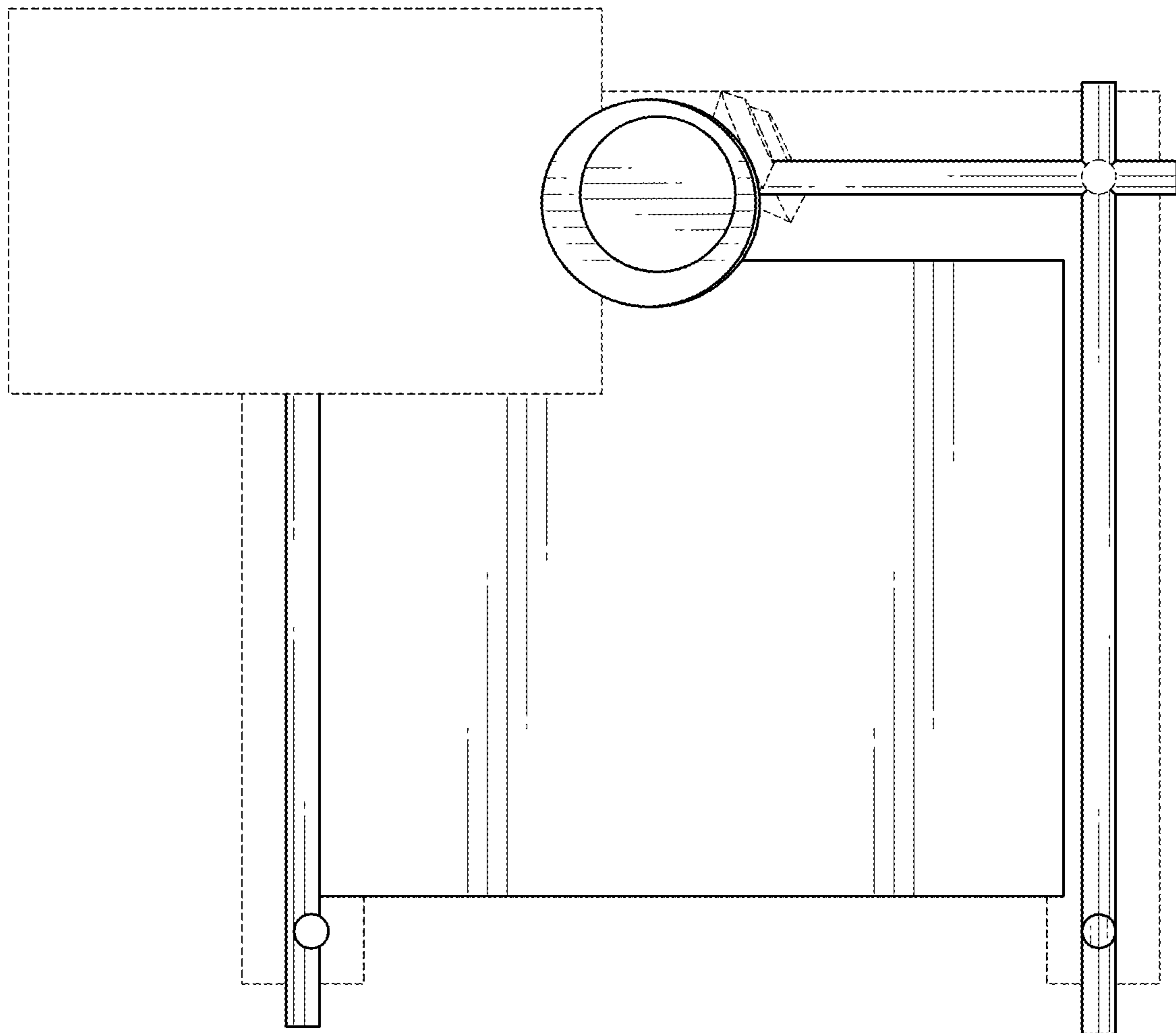


FIG. 9

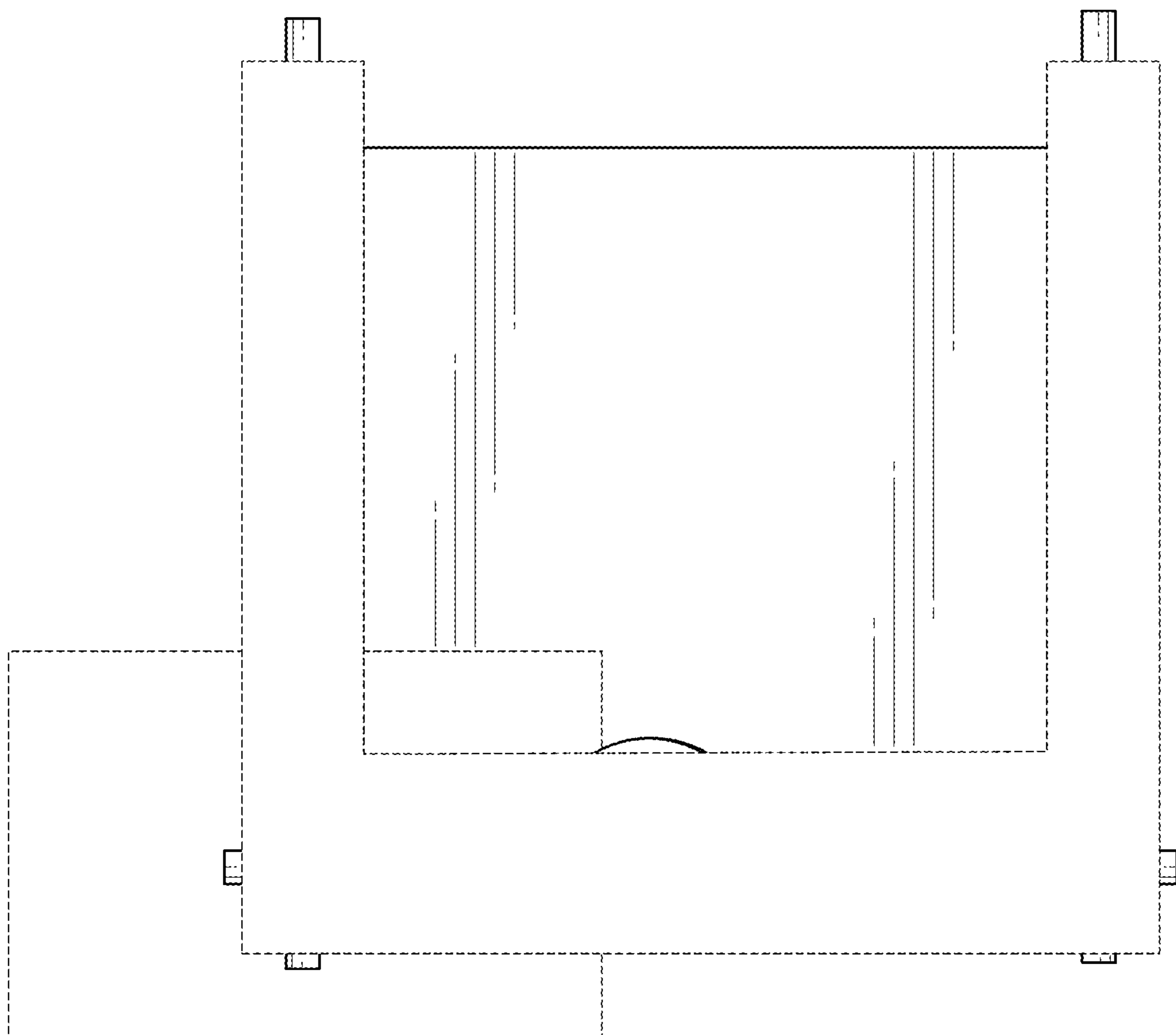


FIG. 10