



US00D949507S

(12) **United States Design Patent** (10) **Patent No.:** **US D949,507 S**  
**Li** (45) **Date of Patent:** **\*\* Apr. 19, 2022**

(54) **FOLDING CAR ACCESSORY FOR KAYAK**  
(71) Applicant: **Shenzhen Baitu Network Co., Ltd.**,  
Longyan (CN)  
(72) Inventor: **Jiawei Li**, Changle (CN)  
(\*\*) Term: **15 Years**  
(21) Appl. No.: **29/785,772**  
(22) Filed: **May 27, 2021**  
(51) **LOC (13) Cl.** ..... **12-02**  
(52) **U.S. Cl.**  
USPC ..... **D34/24**  
(58) **Field of Classification Search**  
USPC ..... D34/12, 17, 20, 21, 27  
CPC ... B62B 5/0083; B62B 5/067; B62B 2205/06;  
B62B 2205/10; B62B 2202/403; B62B  
1/14; B62B 1/26; B62B 1/262; B62B  
1/264; B62B 2202/404; B62B 2202/406;  
B62B 3/02; B62B 3/10; B62B 3/12;  
B62B 3/006; B62B 3/002  
See application file for complete search history.

D676,623 S 2/2013 Huntley  
D678,642 S 3/2013 Riddiford  
9,004,507 B1 \* 4/2015 Nunley ..... B62B 1/26  
280/47.331  
D812,546 S 3/2018 Glenn et al.  
D866,903 S \* 11/2019 Lundin ..... D34/12  
D868,411 S 11/2019 Kowalski  
D929,067 S \* 8/2021 Kowalski ..... D34/24  
2007/0187915 A1 \* 8/2007 Filiatrault ..... B62B 1/26  
280/47.131  
2008/0048407 A1 \* 2/2008 Privette ..... B62B 5/0003  
280/47.331  
2008/0061522 A1 \* 3/2008 Zimmermann ..... E01C 19/36  
280/47.12  
2009/0102147 A1 \* 4/2009 Moorhead ..... B25H 5/00  
280/32.6  
2022/0007833 A1 \* 1/2022 Lyons ..... A47B 85/06

\* cited by examiner

*Primary Examiner* — Cynthia Ramirez  
(74) *Attorney, Agent, or Firm* — Rumit Ranjit Kanakia

(57) **CLAIM**

I claim the ornamental design for a folding car accessory for kayak, as shown and described.

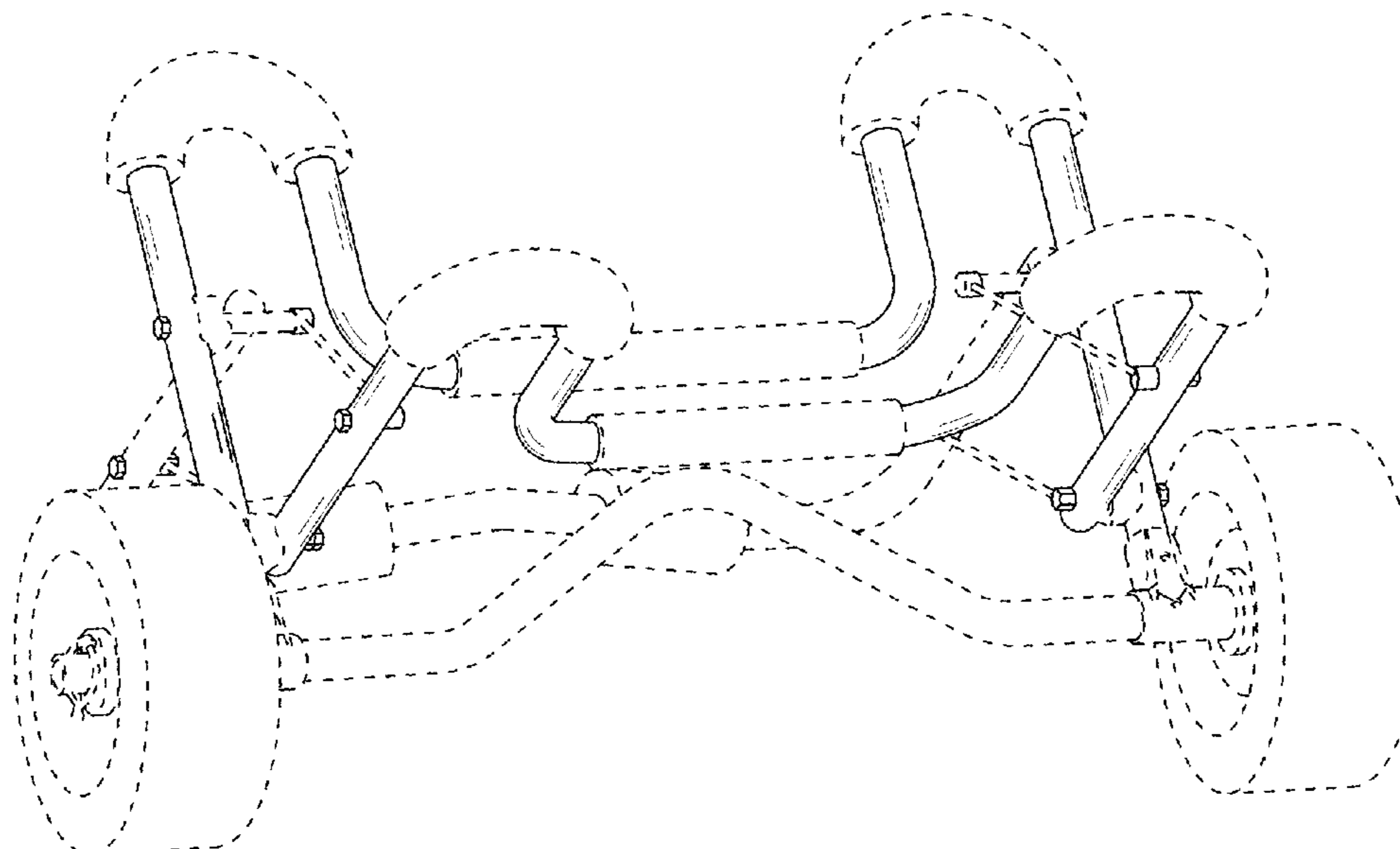
**DESCRIPTION**

FIG. 1 is a Perspective view of a folding car accessory for kayak showing my new design;  
FIG. 2 is a Back Perspective view thereof;  
FIG. 3 is a Front view thereof;  
FIG. 4 is a Back view thereof;  
FIG. 5 is a Left-side view thereof;  
FIG. 6 is a Right-side view thereof;  
FIG. 7 is a Top view thereof; and,  
FIG. 8 is a Bottom view thereof.  
The broken lines in the drawings depict portions of the folding car accessory for kayak that form no part of the claimed design.

**1 Claim, 8 Drawing Sheets**

(56) **References Cited**  
U.S. PATENT DOCUMENTS

3,188,108 A \* 6/1965 Davis ..... B63C 13/00  
280/47.331  
4,440,409 A \* 4/1984 Margison ..... B62B 5/0083  
280/47.32  
4,712,803 A \* 12/1987 Garcia ..... B63B 32/83  
441/74  
4,822,065 A \* 4/1989 Enders ..... B62B 5/0083  
D34/24  
5,261,680 A \* 11/1993 Freitus ..... B62B 5/0083  
114/344  
D358,919 S \* 5/1995 Carmen ..... D34/12  
8,162,329 B1 \* 4/2012 Openshaw ..... B62B 1/268  
280/47.131  
D665,726 S 8/2012 Eriksson



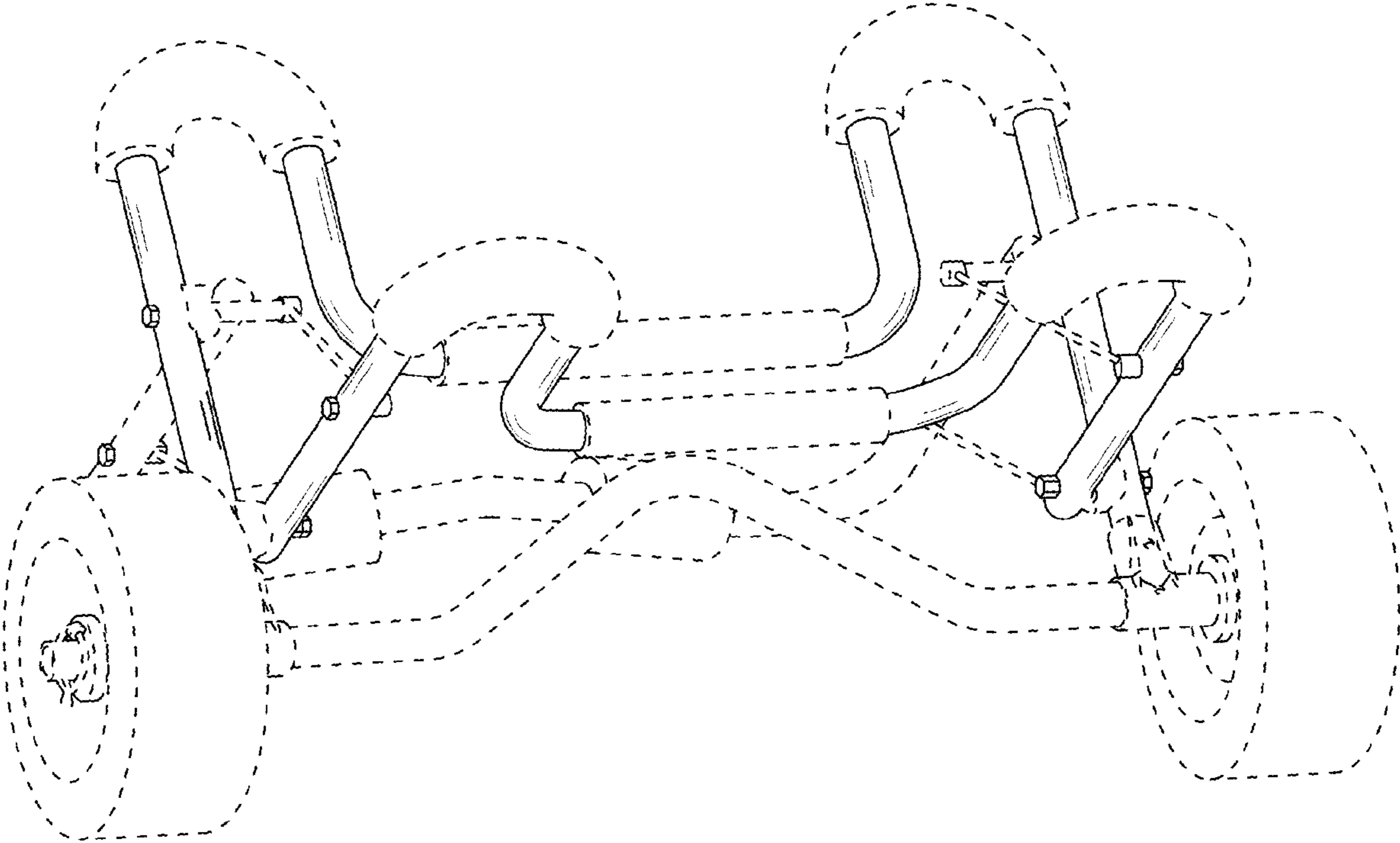


FIG. 1

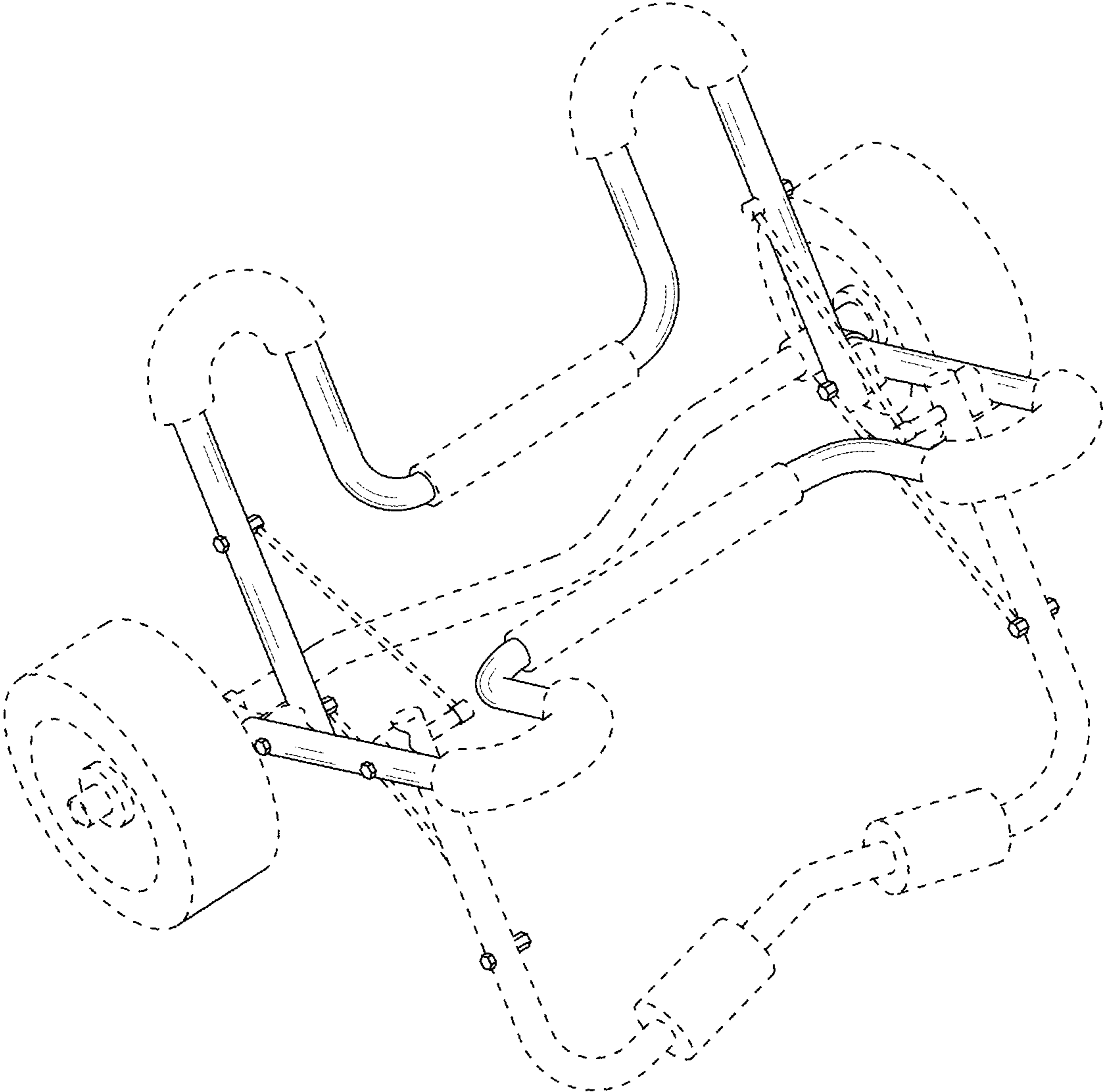


FIG. 2

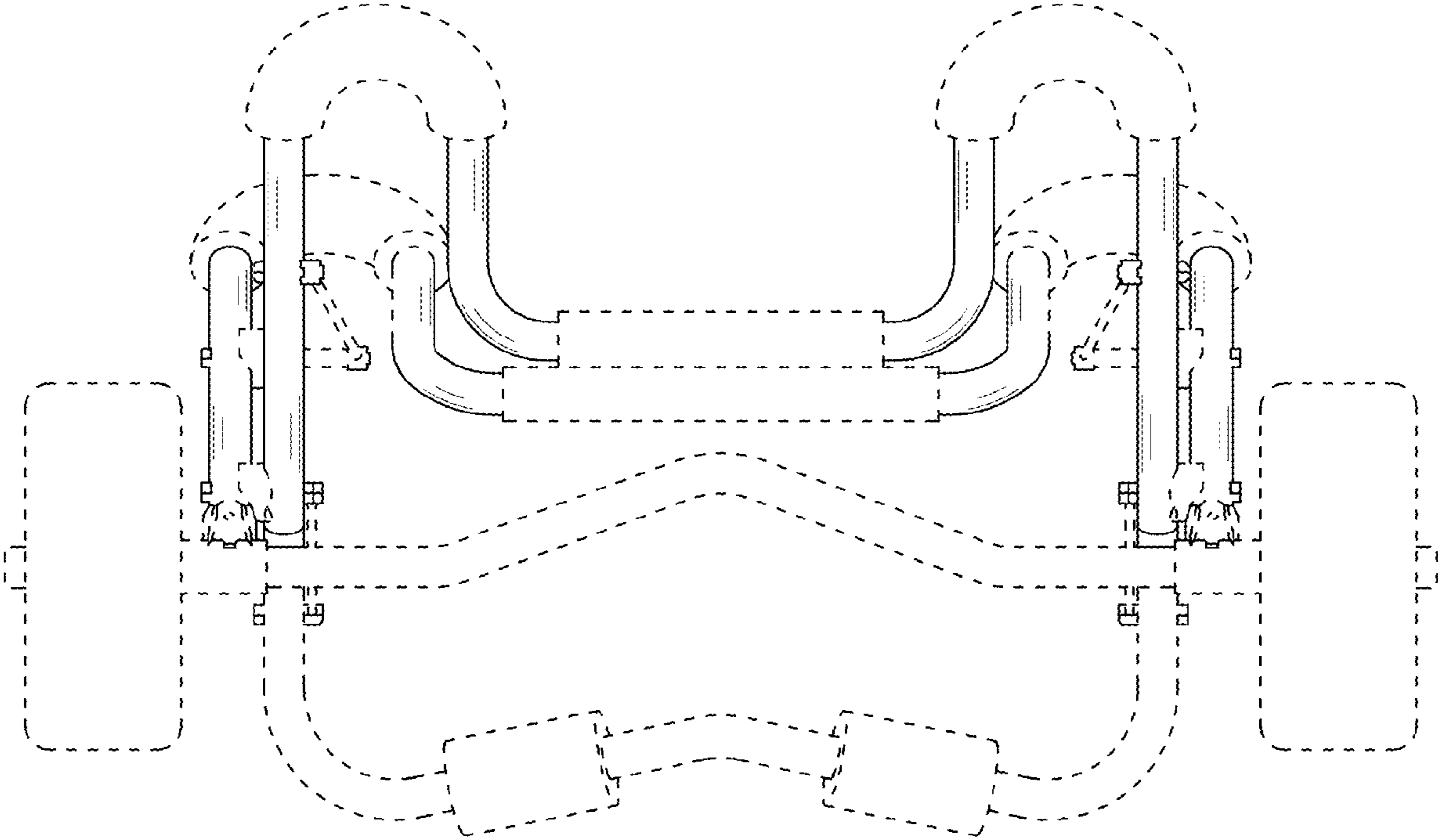


FIG. 3

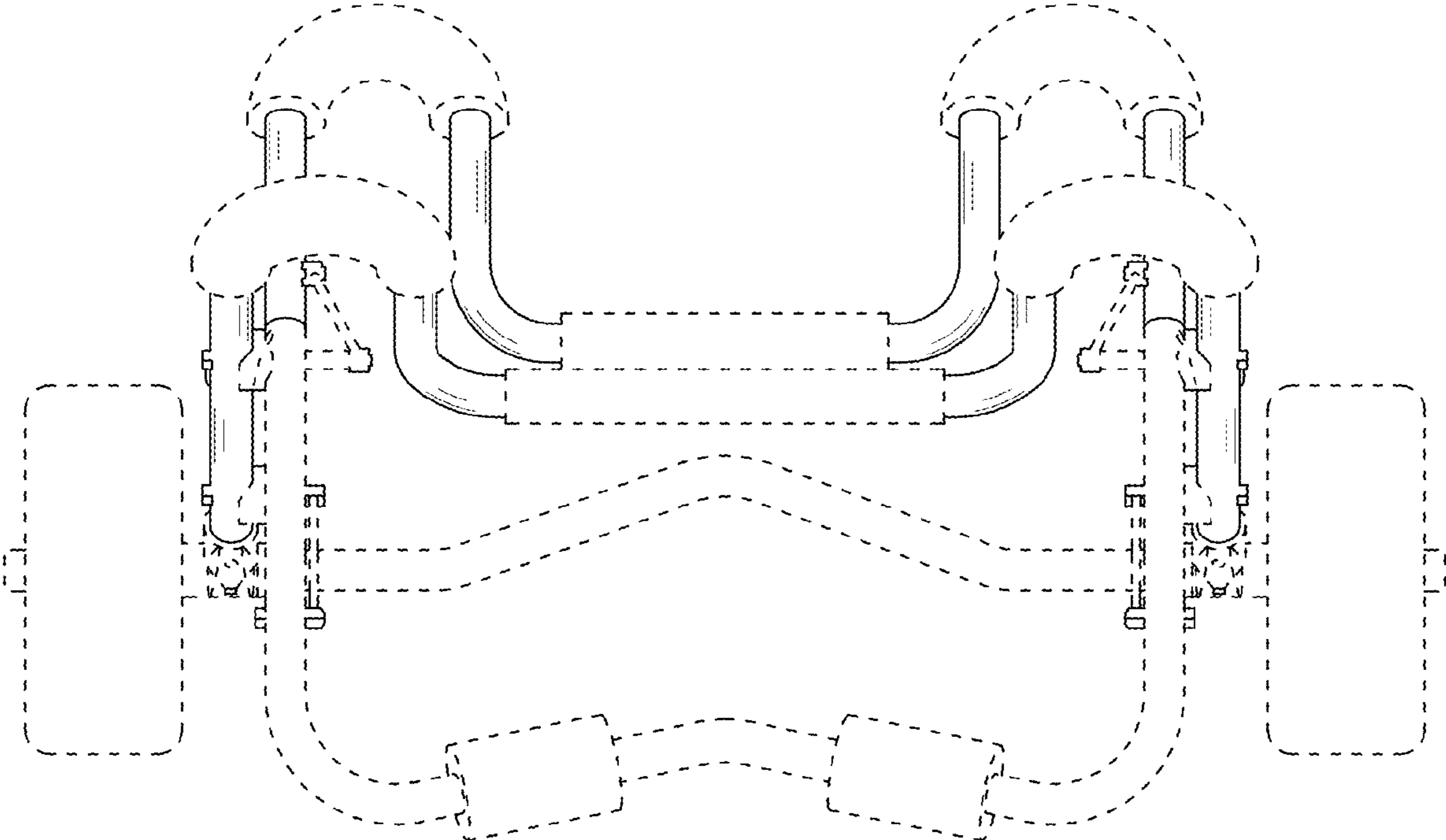


FIG. 4

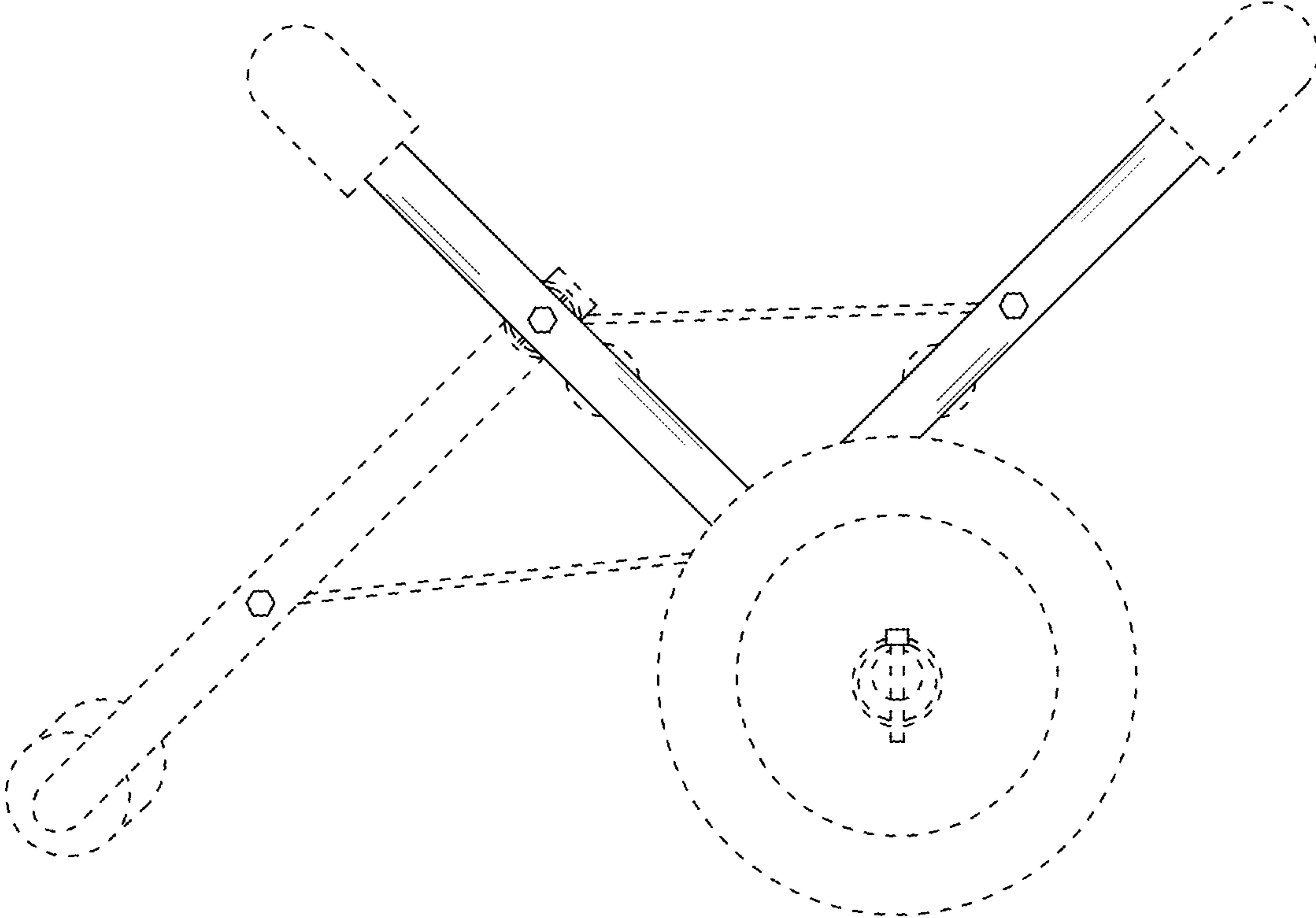


FIG. 5

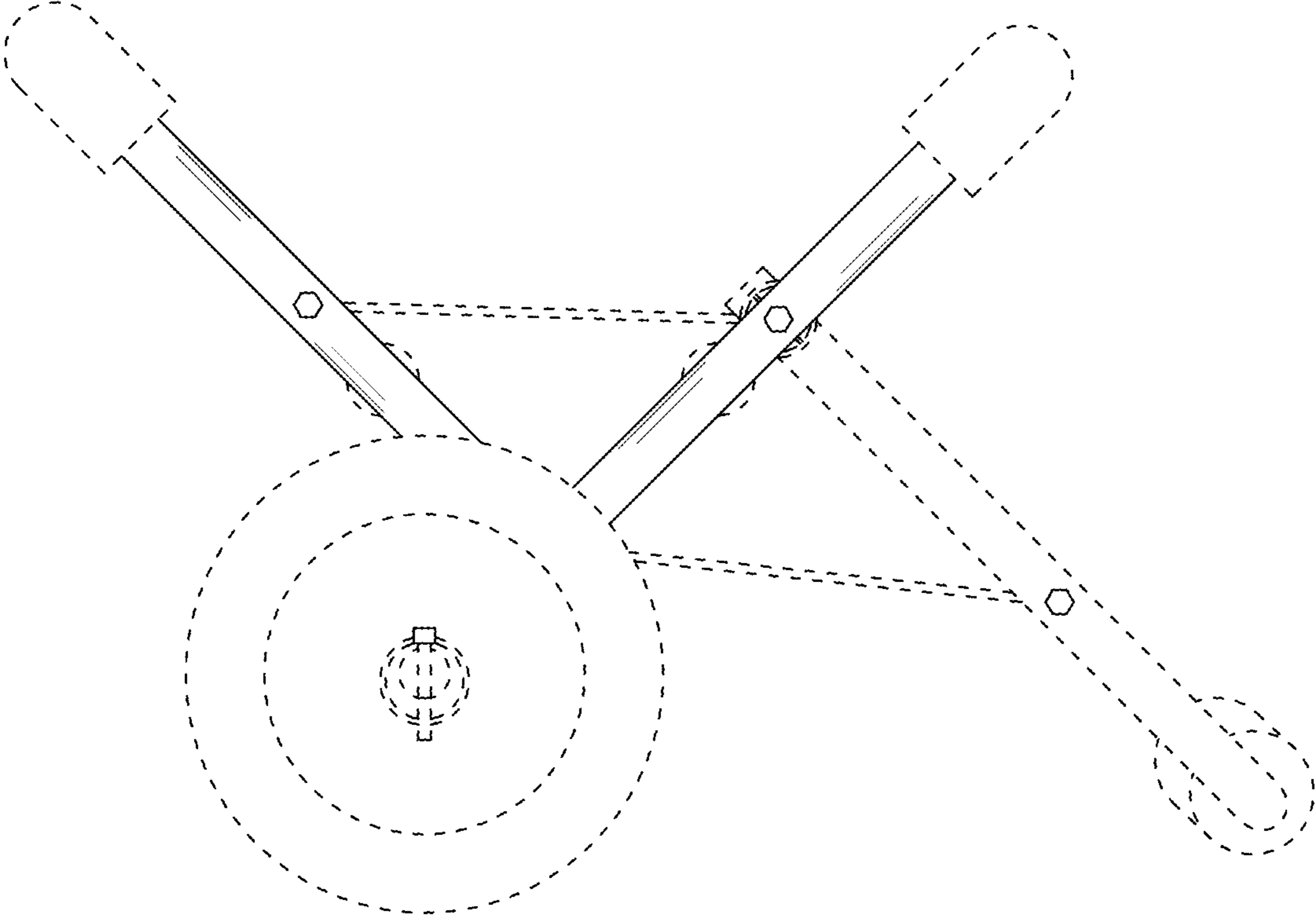


FIG. 6

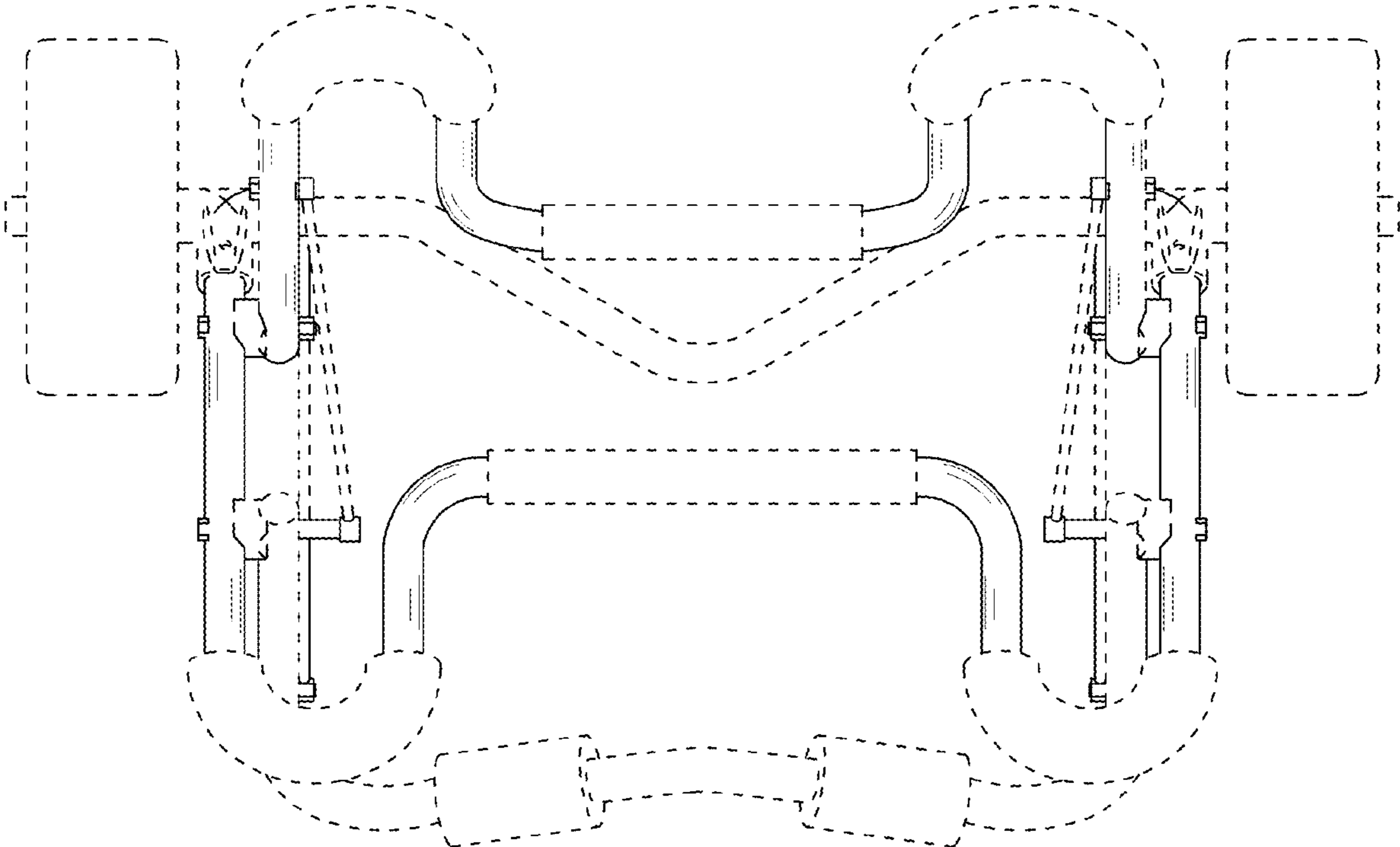


FIG. 7



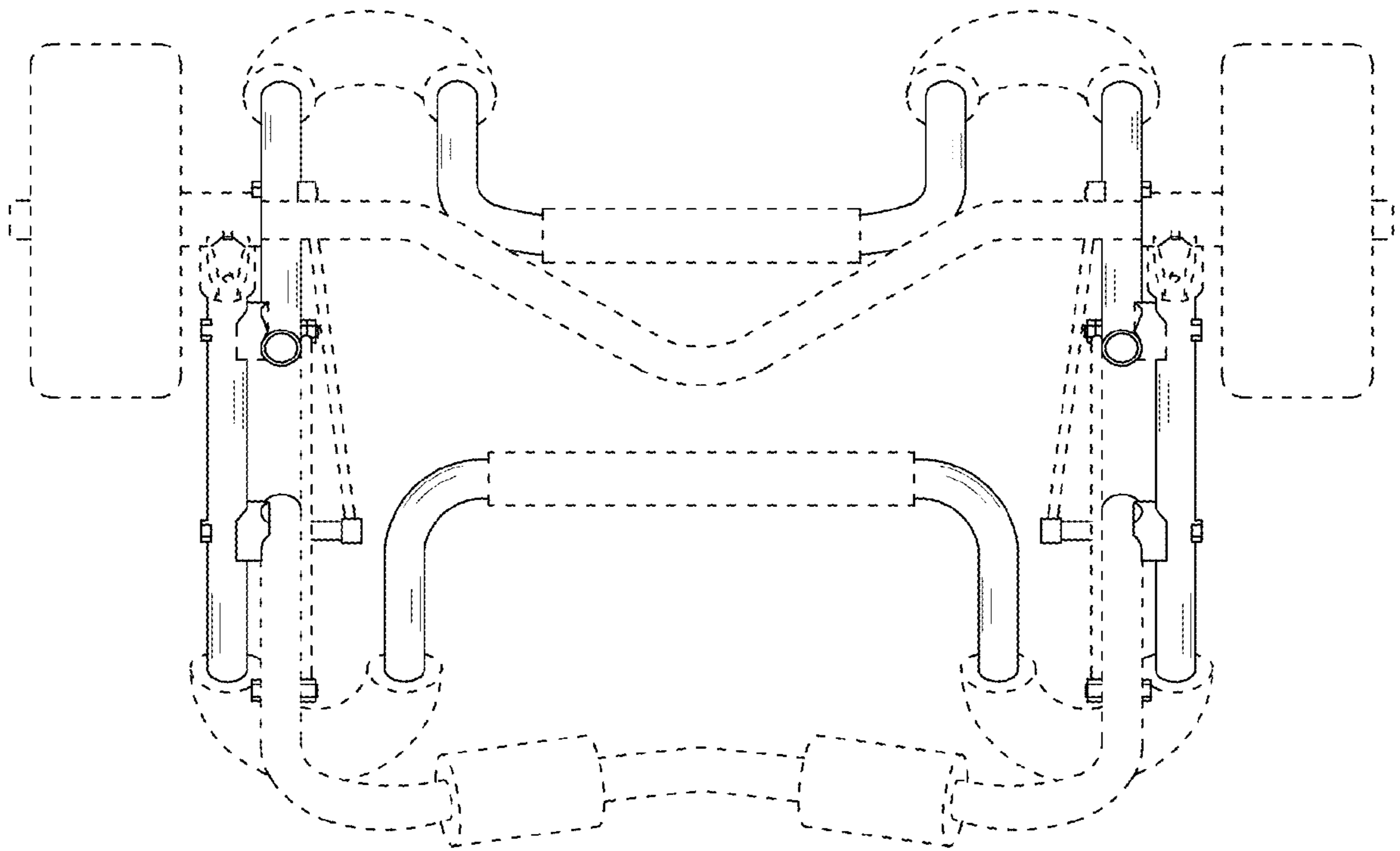


FIG. 8