



US00D949505S

(12) **United States Design Patent**  
**Labrecque et al.**

(10) **Patent No.:** **US D949,505 S**  
(45) **Date of Patent:** **\*\* Apr. 19, 2022**

(54) **LID**  
(71) Applicant: **IPL INC.**, St-Damien (CA)  
(72) Inventors: **Jean-Gabriel Labrecque**,  
St-Damien-de-Buckland (CA); **Bryant**  
**Conder**, New Albany, IN (US); **Roch**  
**Nolet**, St-Joseph (CA)

7,172,088 B2 2/2007 McDade et al.  
D577,170 S 9/2008 Meers  
8,096,565 B2 1/2012 Meers  
8,141,921 B2 3/2012 Apps et al.  
D657,106 S 4/2012 Talbot Pouliot et al.  
8,146,774 B2\* 4/2012 Parker ..... B65F 1/1468  
220/757

(Continued)

(73) Assignee: **IPL INC.**

(\*\*) Term: **15 Years**

(21) Appl. No.: **29/743,536**

(22) Filed: **Jul. 22, 2020**

(51) **LOC (13) Cl.** ..... **09-09**

(52) **U.S. Cl.**  
USPC ..... **D34/11**

(58) **Field of Classification Search**  
USPC ..... D34/1, 7, 8, 9, 5, 6, 10, 11  
CPC ..... B65F 1/16; B65F 1/1607; B65F 1/1615;  
B65F 1/06; B65F 1/163; B65F 1/1623;  
B65F 1/1646; B65F 2220/12; B65F  
2230/00; B65F 2250/1146; B65F 1/1468;  
B65D 21/0209; B65D 2543/00194  
See application file for complete search history.

FOREIGN PATENT DOCUMENTS

CA 89297 S 4/2000  
CA 99947 S 7/2003

(Continued)

OTHER PUBLICATIONS

Global industrial.com Jan. 24, 2022, Rubbermaid Lid for brute rollout container, <https://www.globalindustrial.com/p/lid-for-brute-rollout-container-black-fg9w2712bla> (Year: 2022).\*

(Continued)

*Primary Examiner* — Cynthia Ramirez  
(74) *Attorney, Agent, or Firm* — Lavery, De Billy, LLP;  
Gwendoline Bruneau

(57) **CLAIM**

The ornamental design for a lid, as shown and described.

(56) **References Cited**

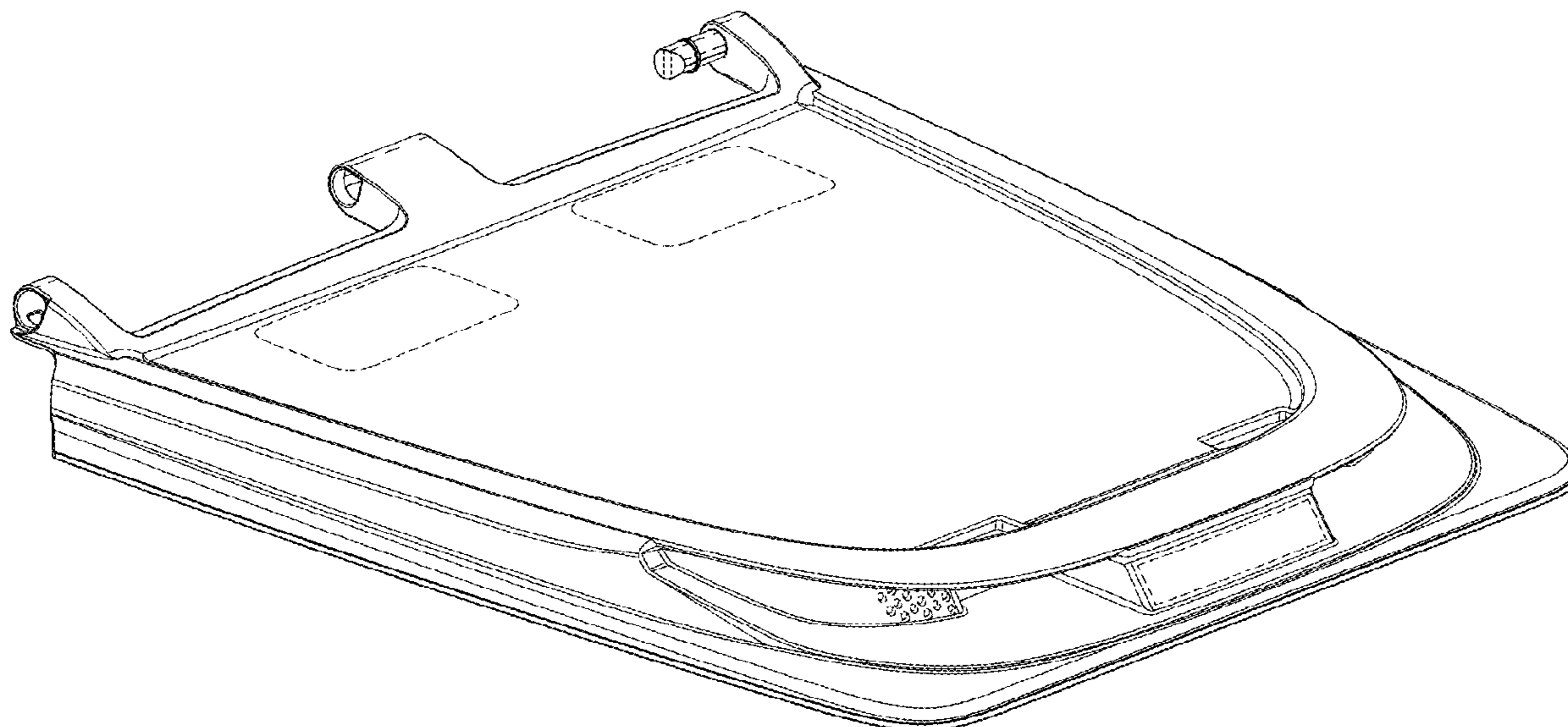
U.S. PATENT DOCUMENTS

D323,912 S \* 2/1992 Delmerico ..... D34/5  
D398,430 S \* 9/1998 Taylor ..... D34/11  
6,328,320 B1 12/2001 Walski et al.  
D461,291 S \* 8/2002 Kaminski ..... D34/11  
D470,989 S \* 2/2003 Tuduri ..... D34/11  
D473,563 S 4/2003 Russell  
6,607,199 B2 8/2003 Gruber  
D491,328 S 6/2004 Aiken et al.  
6,758,366 B2 7/2004 Bourgund et al.  
6,857,642 B2 2/2005 Gruber  
7,017,773 B2 3/2006 Gruber et al.

**DESCRIPTION**

FIG. 1 is a perspective top view of the lid;  
FIG. 2 is a top view of the lid of FIG. 1;  
FIG. 3 is a side view of the lid of FIG. 1;  
FIG. 4 is a side view of the lid of FIG. 1;  
FIG. 5 is a front view of the lid of FIG. 1;  
FIG. 6 is rear view of the lid of FIG. 1;  
FIG. 7 is a bottom view of the lid of FIG. 1; and,  
FIG. 8 is a cross sectional view taken from lines 8-8 in FIG. 2.

**1 Claim, 3 Drawing Sheets**



(56)

References Cited

U.S. PATENT DOCUMENTS

8,317,204 B2 11/2012 Meers et al.  
 8,360,445 B2 1/2013 Meers et al.  
 8,444,228 B2 5/2013 Parker et al.  
 8,449,008 B2 5/2013 Apps et al.  
 D707,905 S \* 6/2014 Nolet ..... D34/5  
 D707,908 S \* 6/2014 Nolet ..... D34/5  
 D707,910 S \* 6/2014 Nolet ..... D34/11  
 D707,911 S \* 6/2014 Nolet ..... D34/11  
 8,740,228 B2 6/2014 Patterson et al.  
 8,770,641 B2 7/2014 Hassell et al.  
 8,881,930 B2 11/2014 Banik  
 8,919,791 B2 12/2014 Foster  
 9,061,693 B2 6/2015 Hassell  
 9,156,588 B2 10/2015 Hassell  
 9,216,855 B2 12/2015 King et al.  
 9,248,964 B2 2/2016 Banik  
 D753,364 S 4/2016 Labrecque et al.  
 D756,052 S 5/2016 Del Rosario Roy et al.  
 9,346,616 B2 5/2016 Foster  
 9,365,346 B2 6/2016 McDade et al.  
 9,611,071 B2 4/2017 Baltz et al.  
 D789,012 S \* 6/2017 Labrecque ..... D34/5  
 9,738,445 B2 8/2017 Foster  
 9,828,177 B2 11/2017 Nussbaum et al.  
 9,903,141 B2 2/2018 Foster  
 9,908,694 B2 3/2018 Christenson  
 9,975,694 B1 5/2018 Foster  
 10,322,849 B2 6/2019 Hassell

10,370,188 B2 8/2019 Foster  
 10,464,586 B2 11/2019 Kalinowski et al.  
 2006/0078411 A1\* 4/2006 Casab ..... B65F 1/1415  
 414/408  
 2017/0240194 A1 8/2017 Kalinowski et al.  
 2018/0029623 A1 2/2018 Kalinowski et al.  
 2018/0162434 A1 6/2018 Kalinowski et al.  
 2018/0257858 A1 9/2018 Apps et al.  
 2018/0282020 A1 10/2018 Clark et al.  
 2018/0319589 A1 11/2018 Foster  
 2019/0300280 A1 10/2019 Peek et al.  
 2019/0367065 A1 12/2019 Kalinowski et al.

FOREIGN PATENT DOCUMENTS

CA 104750 S 11/2005  
 CA 125054 S 4/2009  
 CA 125835 S 4/2009  
 CA 126678 S 4/2009  
 CA 2915390 C 7/2017

OTHER PUBLICATIONS

Feb. 4, 2020, 95 Gallon EnviroGuard Roll Out Cart; <https://www.rehrigpacific.com/wp-content/uploads/2018/06/PSS-DES-809-95G-EnviroGuard-ROC-REV-NC-1.pdf>.  
 IPL, "Organic Option. For simple Composting", Catalog.  
 IPL, "80L. The best fit for food waste collection", Catalog.

\* cited by examiner

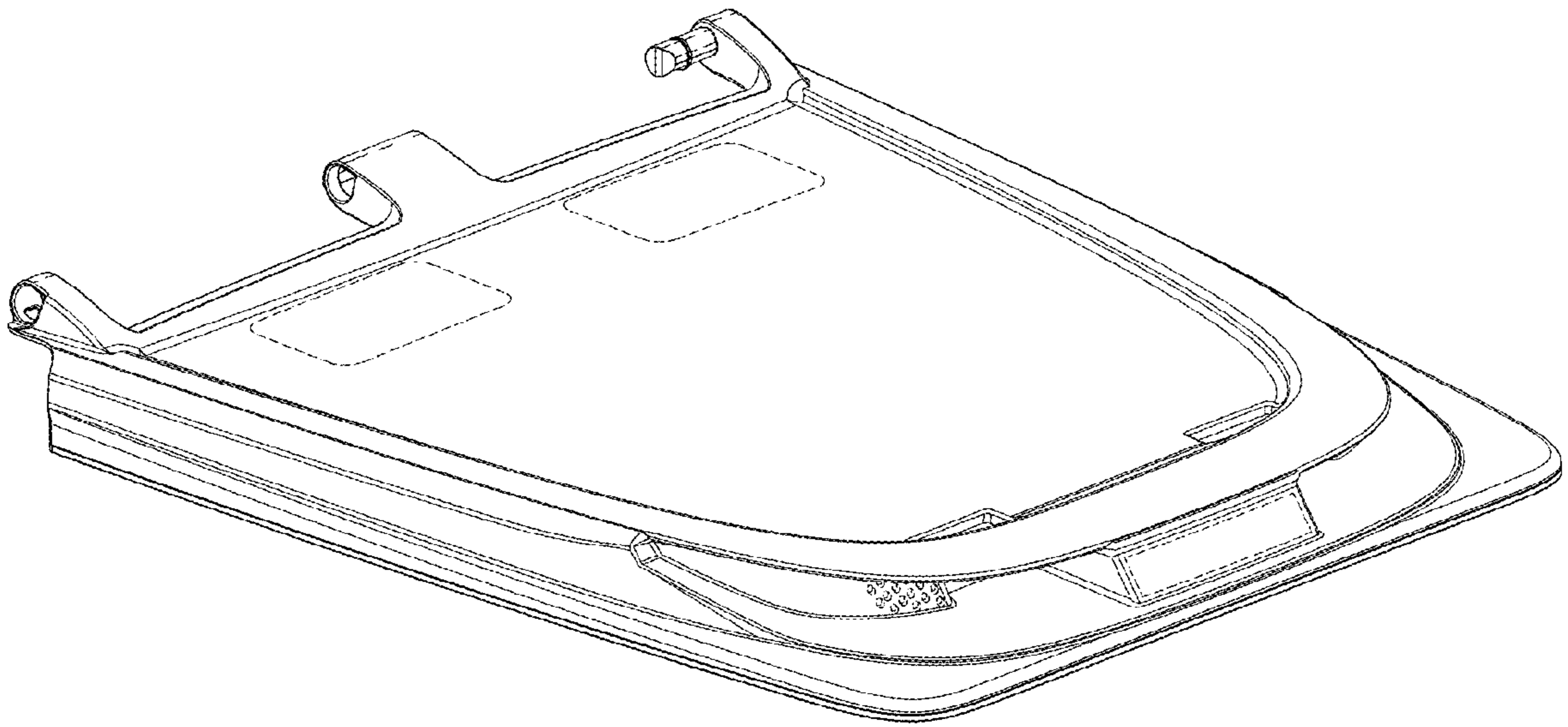


FIG. 1

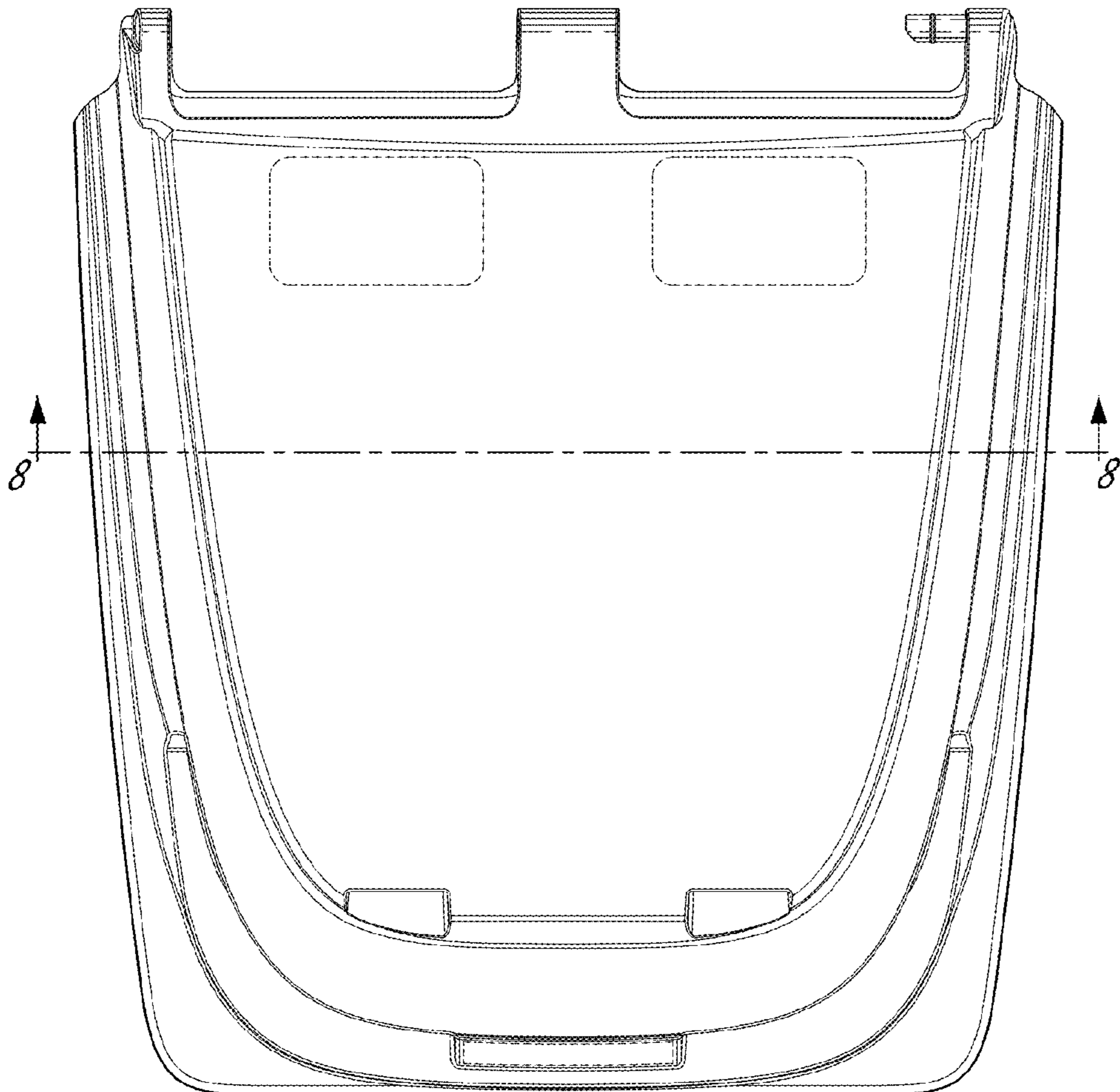


FIG. 2

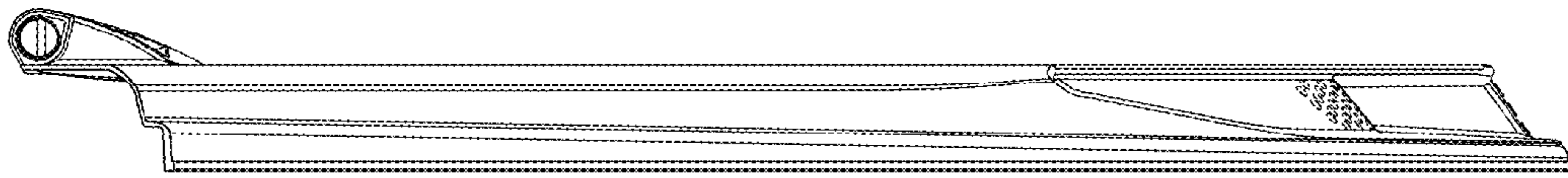


FIG. 3

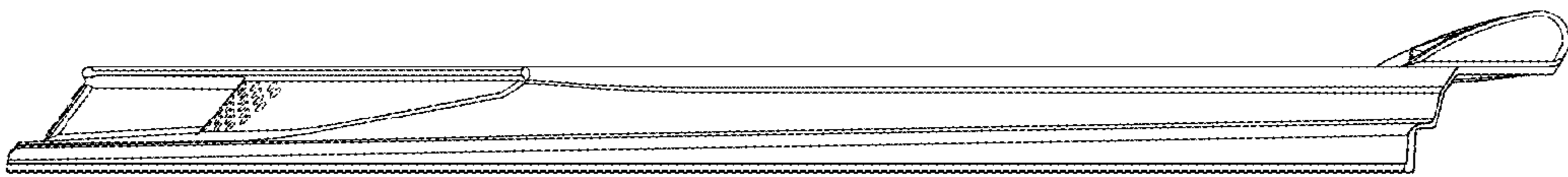


FIG. 4

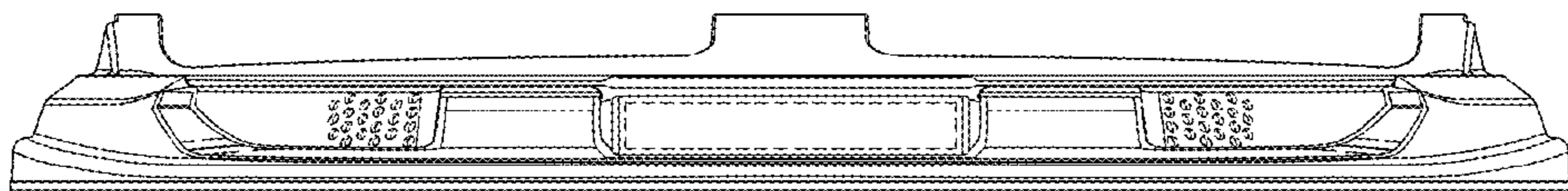


FIG. 5

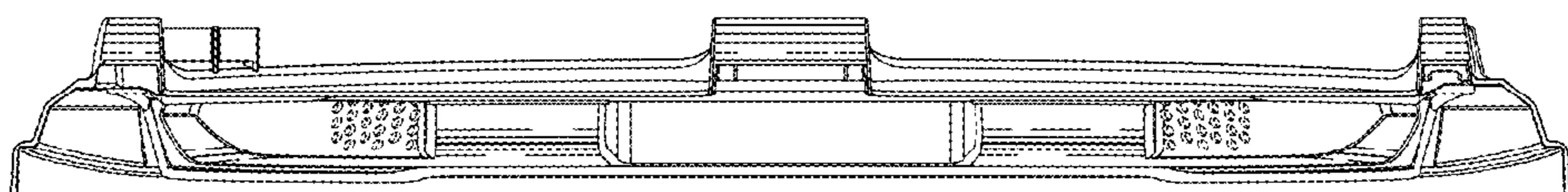
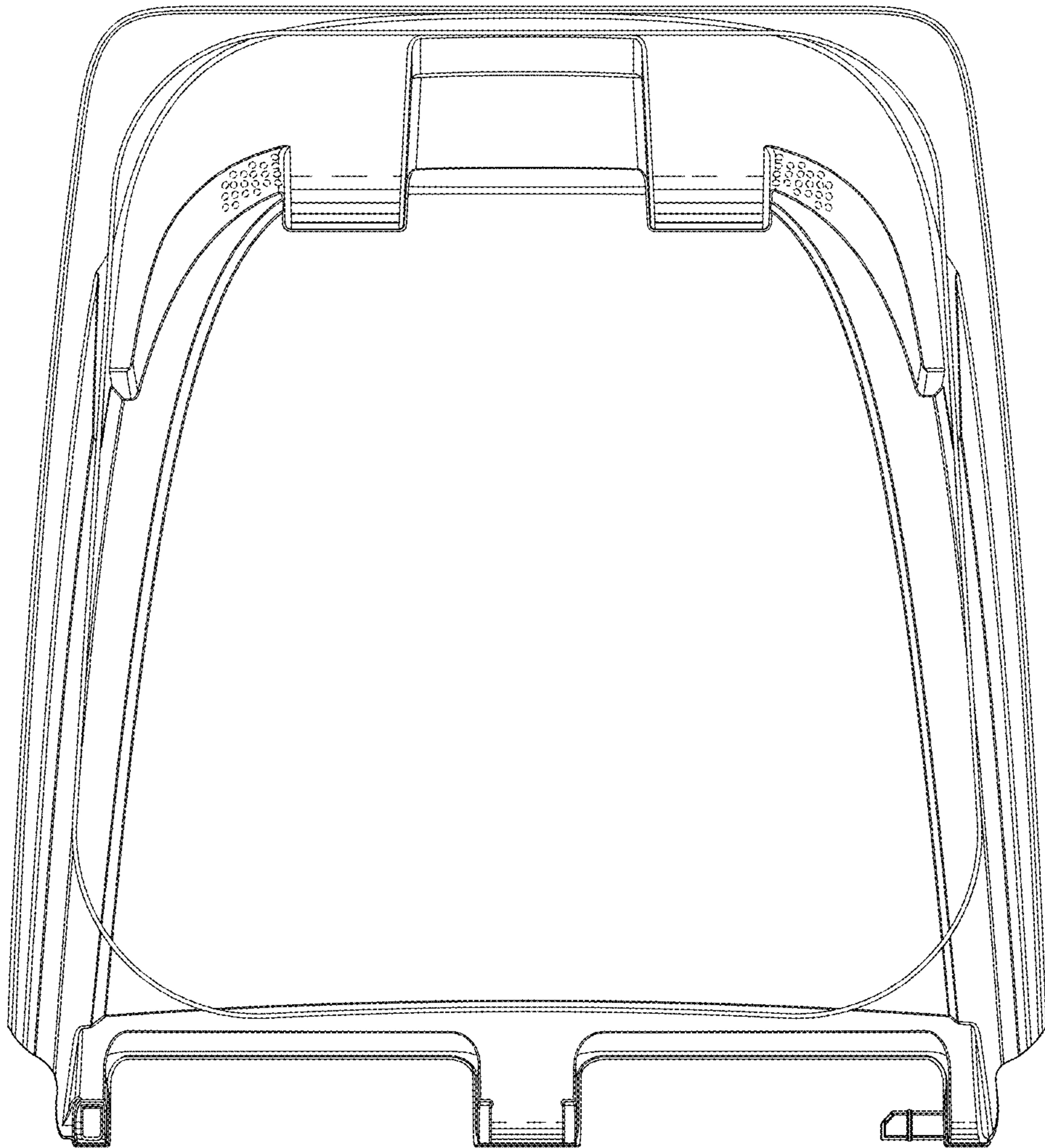
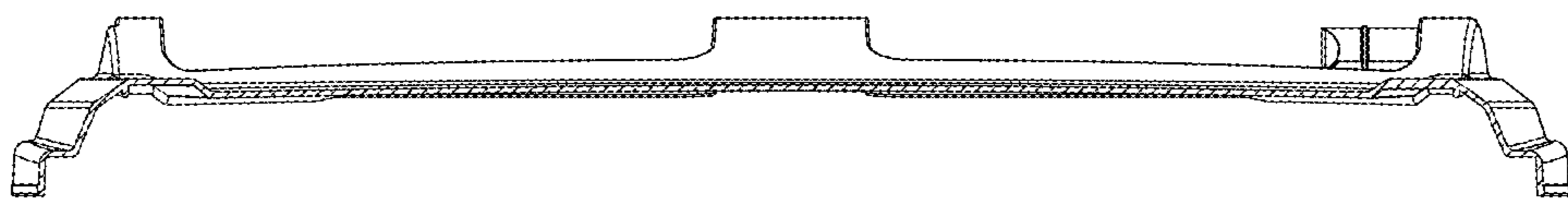


FIG. 6



*FIG. 7*



*FIG. 8*