



US00D949494S

(12) **United States Design Patent**
Alexander

(10) **Patent No.:** **US D949,494 S**
(45) **Date of Patent:** **** Apr. 19, 2022**

- (54) **PRESSURE WASHER FRAME**
- (71) Applicant: **FNA Group, Inc.**, Pleasant Prairie, WI (US)
- (72) Inventor: **Gus Alexander**, Inverness, IL (US)
- (73) Assignee: **FNA Group, Inc.**, Pleasant Prairie, WI (US)

D465,624 S *	11/2002	Kolicheski	D32/25
D579,612 S *	10/2008	Rutkowski	D32/25
D580,610 S *	11/2008	Hawkins	D32/25
D590,110 S *	4/2009	Hawkins	D32/25
D595,911 S *	7/2009	Rutkowski	D32/25
D596,817 S *	7/2009	Glass	D32/25
D633,263 S *	2/2011	Fay	D32/15
D634,083 S *	3/2011	Fay	D32/15
D639,001 S *	5/2011	Alexander	D32/15
D648,082 S *	11/2011	Alexander	D32/15

(Continued)

- (**) Term: **15 Years**
- (21) Appl. No.: **29/790,261**
- (22) Filed: **Nov. 15, 2021**

Primary Examiner — Michelle E. Wilson
Assistant Examiner — Richard E Yenchesky
 (74) *Attorney, Agent, or Firm* — Hanley, Flight & Zimmerman, LLC

Related U.S. Application Data

- (63) Continuation of application No. 29/717,230, filed on Dec. 16, 2019, which is a continuation of application No. 29/694,808, filed on Jun. 13, 2019, now Pat. No. Des. 870,411, and a continuation of application No. 29/694,804, filed on Jun. 13, 2019, now Pat. No. Des. 870,410, which is a continuation of application No. 29/598,855, filed on Mar. 29, 2017, now Pat. No. Des. 854,763, and a continuation of application No. 29/598,855, filed on Mar. 29, 2017, now Pat. No. Des. 854,763.

- (51) **LOC (13) Cl.** **15-05**
- (52) **U.S. Cl.**
USPC **D32/15**
- (58) **Field of Classification Search**
USPC D32/15, 16, 17, 20, 25; D34/24;
D23/225; D8/303
CPC B05B 7/32; B05B 9/0855; B05B 15/00
See application file for complete search history.

(56) **References Cited**

U.S. PATENT DOCUMENTS

- 5,299,767 A * 4/1994 Simpson B05B 15/00
239/175
- D459,851 S * 7/2002 Rehkugler D34/24

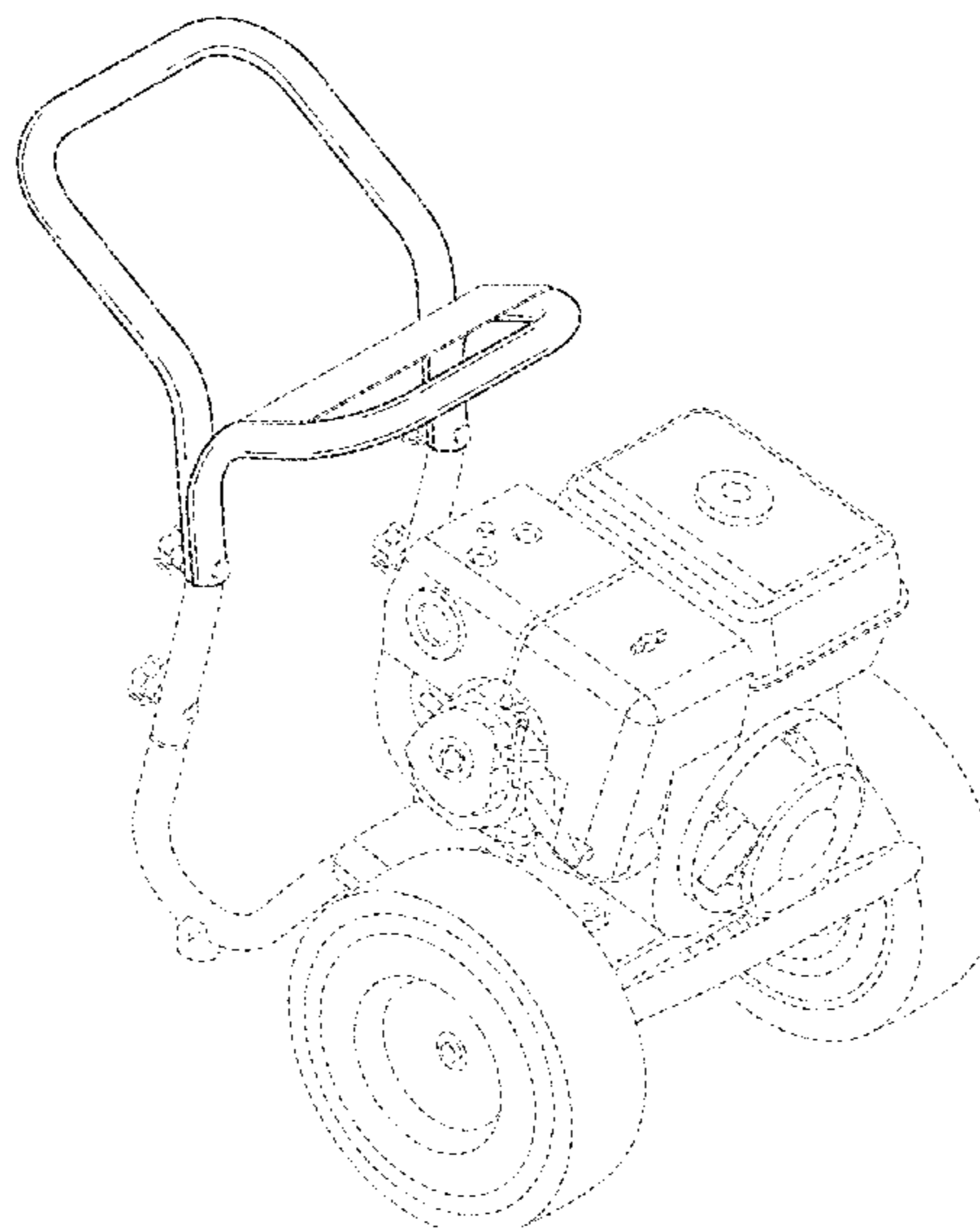
(57) **CLAIM**

The ornamental design for a “pressure washer frame”, as shown and described.

DESCRIPTION

FIG. 1 is a front, top perspective view of a pressure washer frame.
 FIG. 2 is a front view of the pressure washer frame of FIG. 1.
 FIG. 3 is a rear view of the pressure washer frame of FIG. 1.
 FIG. 4 is a left side view of the pressure washer frame of FIG. 1.
 FIG. 5 is a right side view of the pressure washer frame of FIG. 1.
 FIG. 6 is a top view of the pressure washer frame of FIG. 1; and,
 FIG. 7 is a bottom view of the pressure washer frame of FIG. 1.
 The features shown in broken lines form no part of the claimed design.
 The lighter solid lines denote surfaces and contours. Line shading is not surface ornamentation.

1 Claim, 7 Drawing Sheets



(56)

References Cited

U.S. PATENT DOCUMENTS

D665,545	S	*	8/2012	Alexander	D32/15
D686,788	S	*	7/2013	Kahan	D32/16
D688,841	S	*	8/2013	van Deursen	D32/25
D702,900	S	*	4/2014	Kahan	D32/16
D732,764	S	*	6/2015	Kennard	D32/15
D733,373	S	*	6/2015	Kahan	D32/16
D749,805	S	*	2/2016	Janik	D32/16
D804,750	S	*	12/2017	Janik	D32/16
D824,612	S	*	7/2018	Alexander	D32/16
D824,613	S	*	7/2018	Alexander	D32/16
D834,269	S	*	11/2018	Masters	D32/15
D836,272	S	*	12/2018	Janik	D32/15
D854,763	S	*	7/2019	Alexander	D32/24
D870,410	S	*	12/2019	Alexander	D34/24
D870,411	S	*	12/2019	Alexander	D34/24
D901,799	S	*	11/2020	Stariha	D32/25
D925,844	S	*	7/2021	Kanchibhotla	D32/15
D925,845	S	*	7/2021	Alexander	D32/15
D927,102	S	*	8/2021	Alexander	D32/15
D930,928	S	*	9/2021	Pastor	D32/25
2005/0248150	A1	*	11/2005	Gilpatrick	B08B 3/026 285/92
2006/0038034	A1	*	2/2006	Hillary	B05B 9/0855 239/146
2018/0021800	A1	*	1/2018	Janik	B08B 3/026 239/146
2018/0133729	A1	*	5/2018	Masters	B05B 7/32
2018/0290180	A1	*	10/2018	Lu	B08B 3/026

* cited by examiner

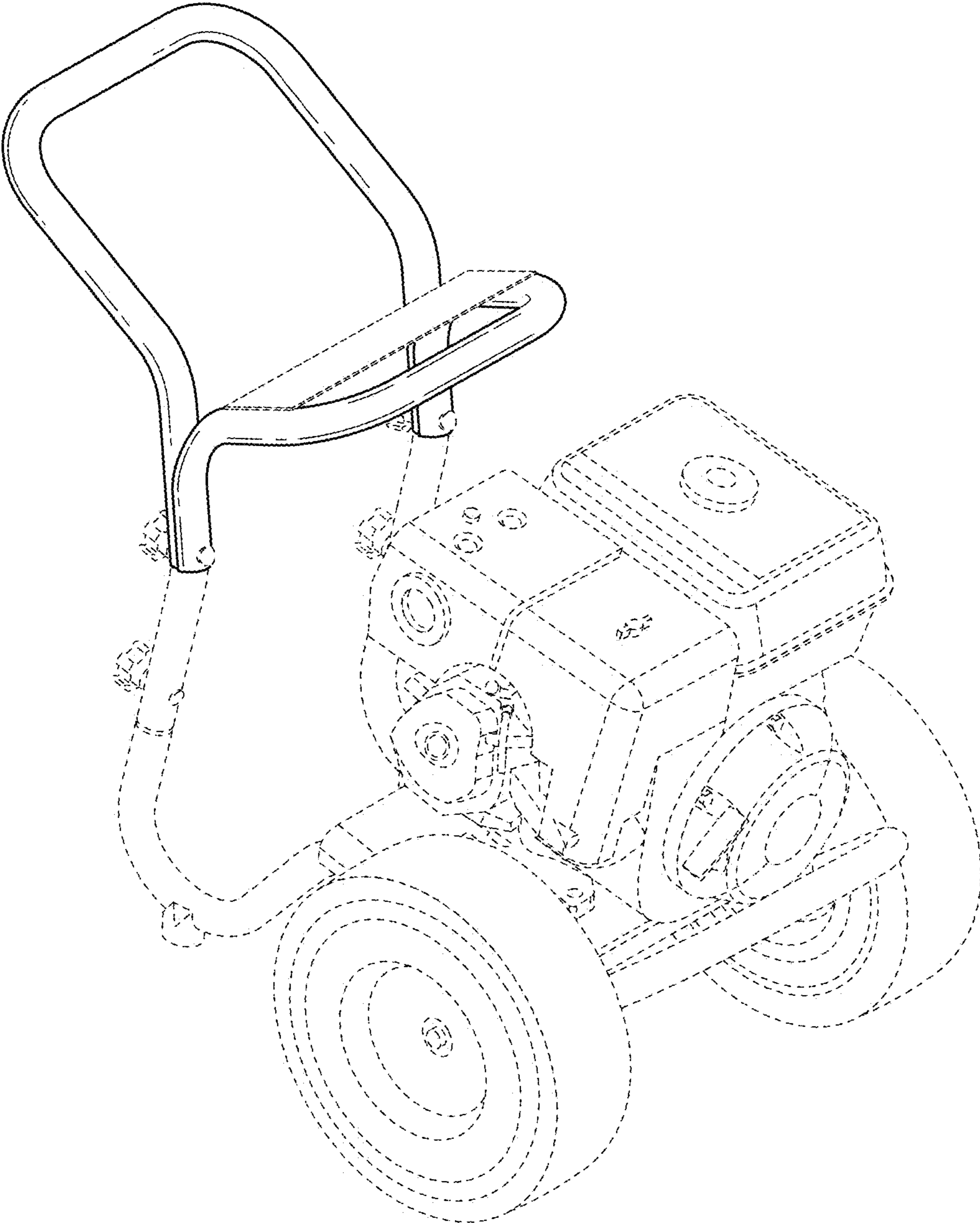


FIG.1

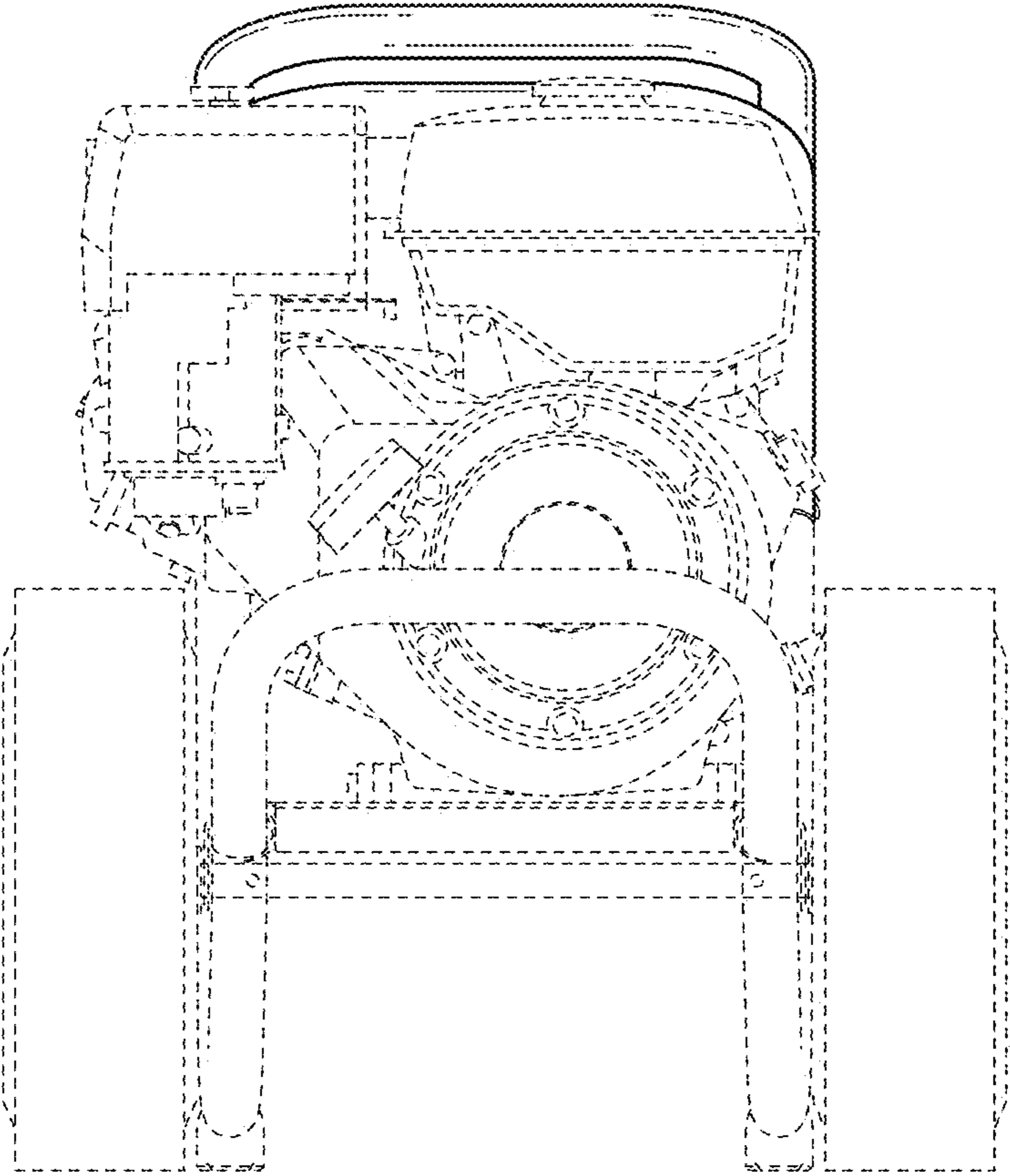


FIG.2

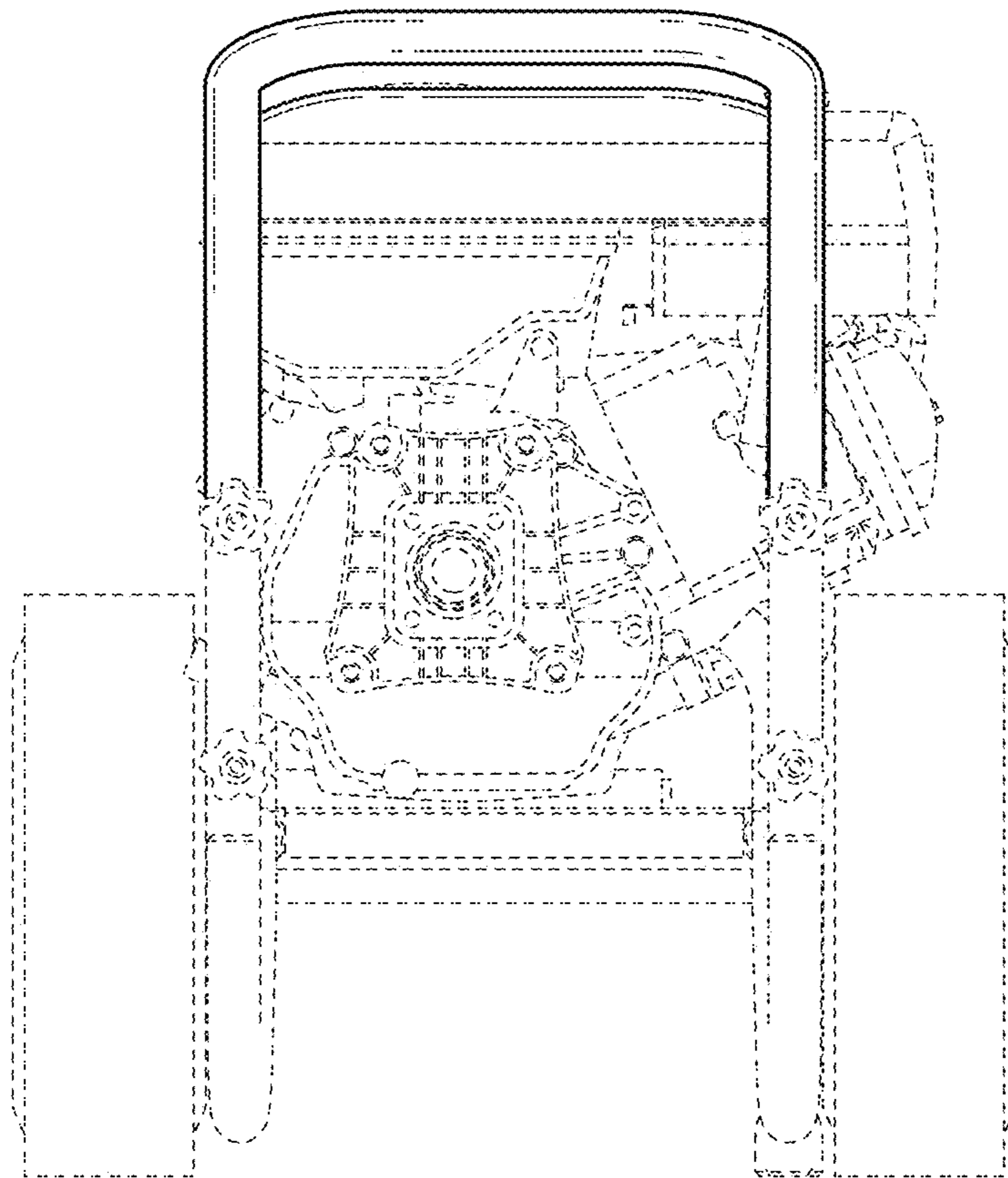


FIG.3

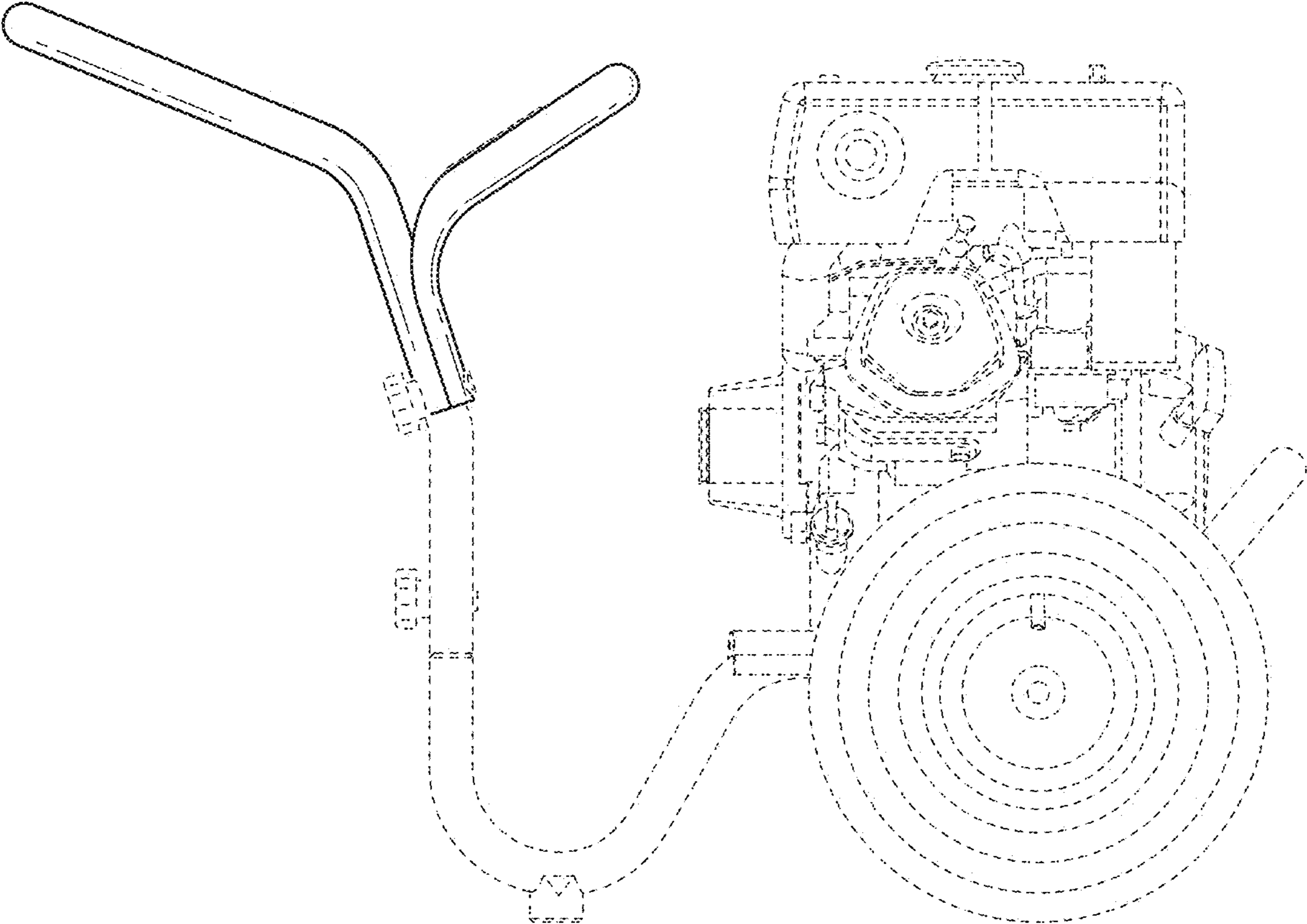


FIG.4

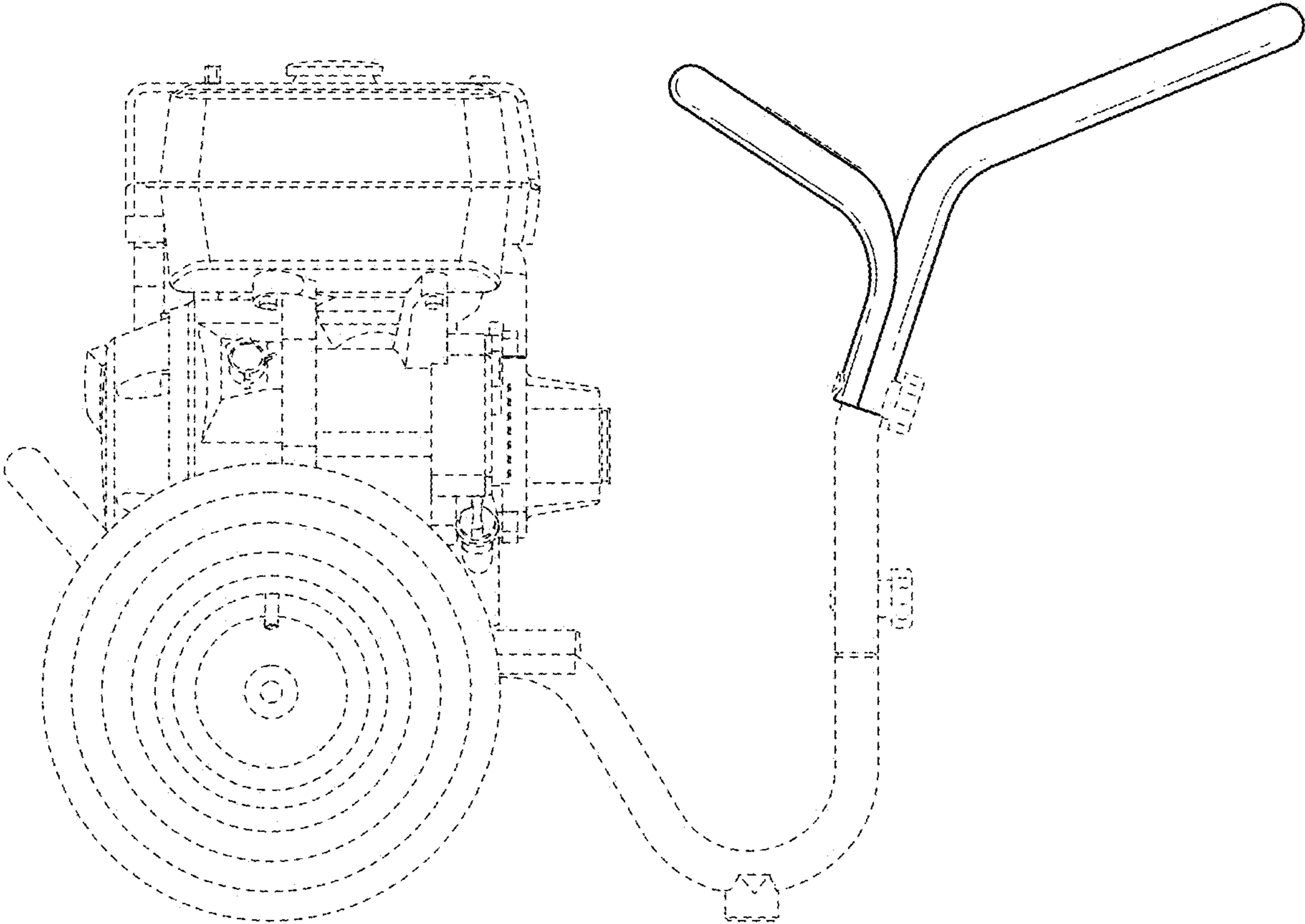


FIG.5

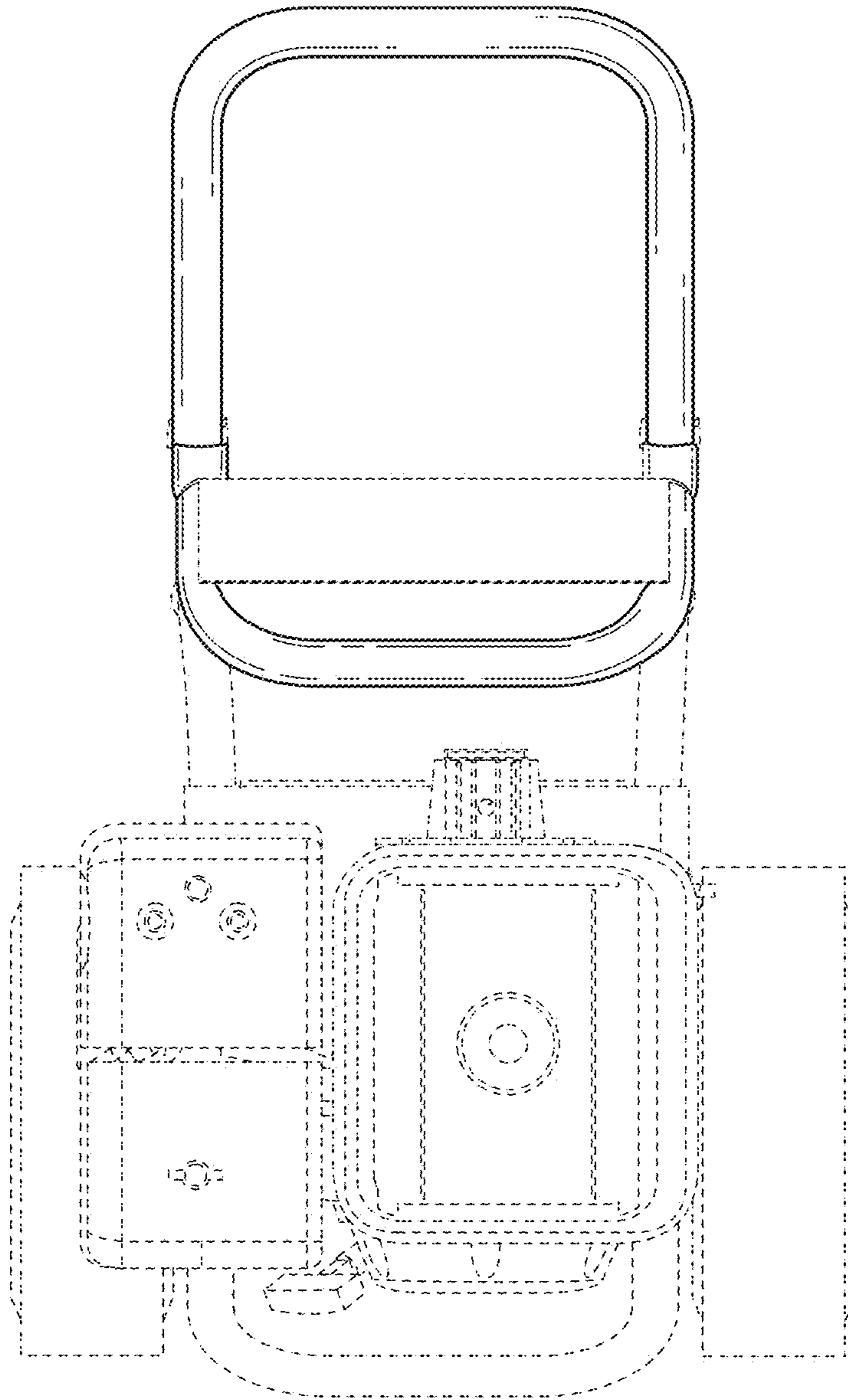


FIG.6

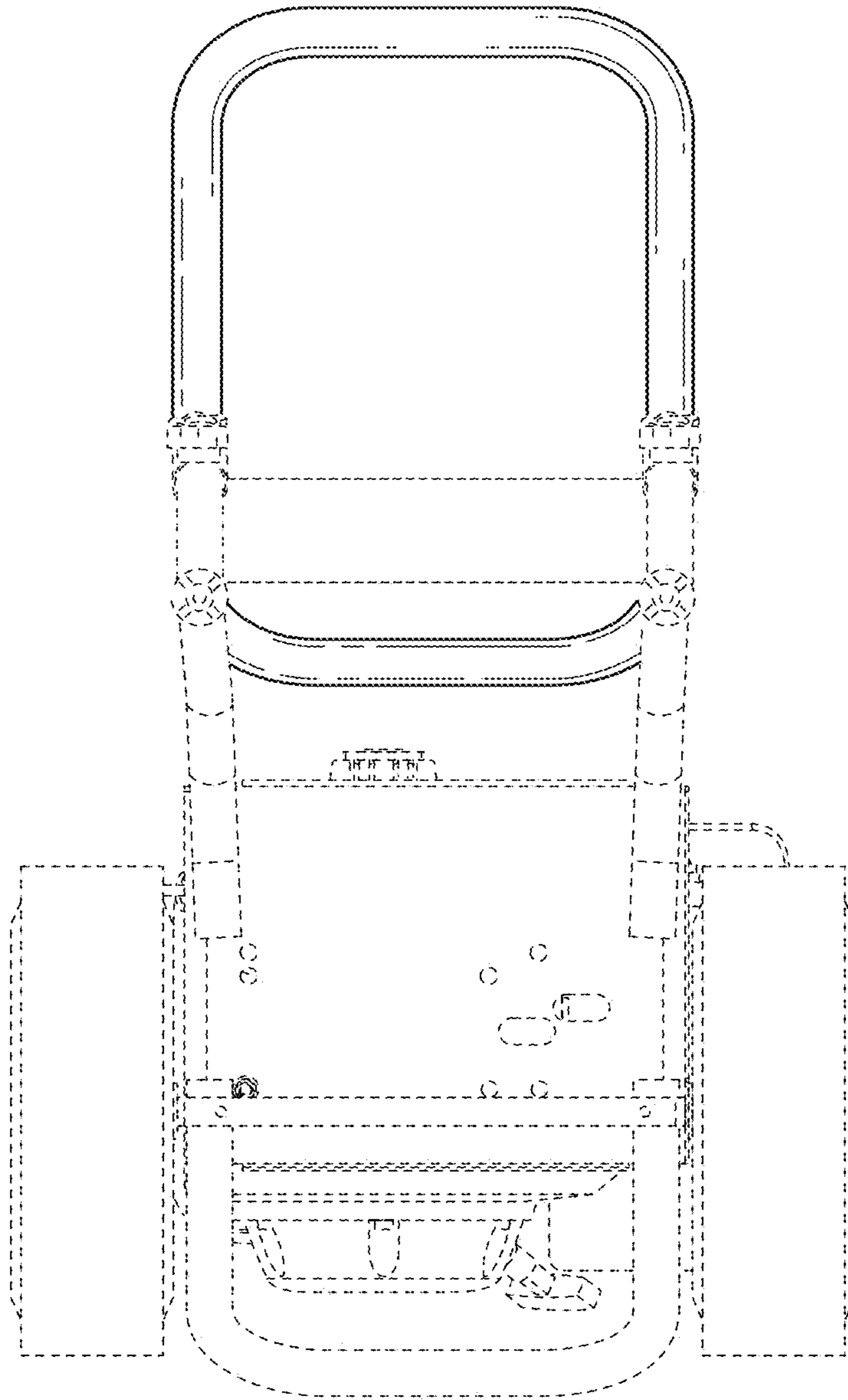


FIG.7