



US00D949492S

(12) **United States Design Patent** (10) **Patent No.:** **US D949,492 S**  
**Ting** (45) **Date of Patent:** **\*\* Apr. 19, 2022**

(54) **PET COLLAR**

(71) Applicant: **Ho Ann Ting**, Anaheim, CA (US)

(72) Inventor: **Ho Ann Ting**, Anaheim, CA (US)

(\*\*) Term: **15 Years**

(21) Appl. No.: **29/701,121**

(22) Filed: **Aug. 8, 2019**

(51) **LOC (13) Cl.** ..... **30-04**

(52) **U.S. Cl.**  
USPC ..... **D30/152**

(58) **Field of Classification Search**  
USPC ..... D30/151, 152, 153, 199  
CPC ..... A01K 27/001; A01K 47/02  
See application file for complete search history.

(56) **References Cited**

**U.S. PATENT DOCUMENTS**

4,224,901	A *	9/1980	Carey, Jr. ....	A01K 27/007 119/654
4,798,174	A *	1/1989	Tachi .....	A01K 27/001 119/856
D336,692	S *	6/1993	Steiner .....	D30/152
D338,986	S *	8/1993	Steiner .....	D30/152
5,297,514	A *	3/1994	Stout .....	A01K 27/005 119/863
D523,187	S *	6/2006	Bazar .....	D30/152
D653,408	S *	1/2012	Sajid .....	D30/152
2005/0284419	A1 *	12/2005	Bazar .....	A01K 27/006 119/856
2019/0059331	A1 *	2/2019	Lai .....	A44B 11/2592

**OTHER PUBLICATIONS**

“Dog Collar with 2 Detachable Bowties.” Found online Jan. 19, 2022 at www.blueberrypet.com. Product reviewed Sep. 22, 2021.

Retrieved from URL: <https://www.blueberrypet.com/collections/collars/products/geometric-print-dog-collar-with-2-detachable-bowties> (Year: 2021).\*

“Elegant little tail Dog Collar with Bow.” Found online Jan. 19, 2022 at www.amazon.com. Product first available Oct. 18, 2019. Retrieved from URL: <https://www.amazon.com/Elegant-little-tail-Webbing-Adjustable/dp/B07Z8X9GFY> (Year: 2019).\*

“Frisco Velvet Dog Collar with Removable Velvet Bow.” Found online Jan. 19, 2022 at www.chewy.com. Product reviewed Nov. 23, 2021. Retrieved from URL: <https://www.chewy.com/frisco-velvet-dog-collar-removeable/dp/316090> (Year: 2021).\*

\* cited by examiner

*Primary Examiner* — Mary Ann Calabrese

*Assistant Examiner* — Katelin G Kloberg

(74) *Attorney, Agent, or Firm* — Novick, Kim & Lee, PLLC; Allen Xue

(57) **CLAIM**

I claim the ornamental design for a pet collar, as shown and described.

**DESCRIPTION**

FIG. 1 is a top perspective view of a pet collar, showing my new design;

FIG. 2 is a bottom perspective view thereof;

FIG. 3 is a front elevational view thereof;

FIG. 4 is a rear side elevational view thereof;

FIG. 5 is a left side elevational view thereof;

FIG. 6 is a right side elevational view thereof;

FIG. 7 is a top plan view thereof; and,

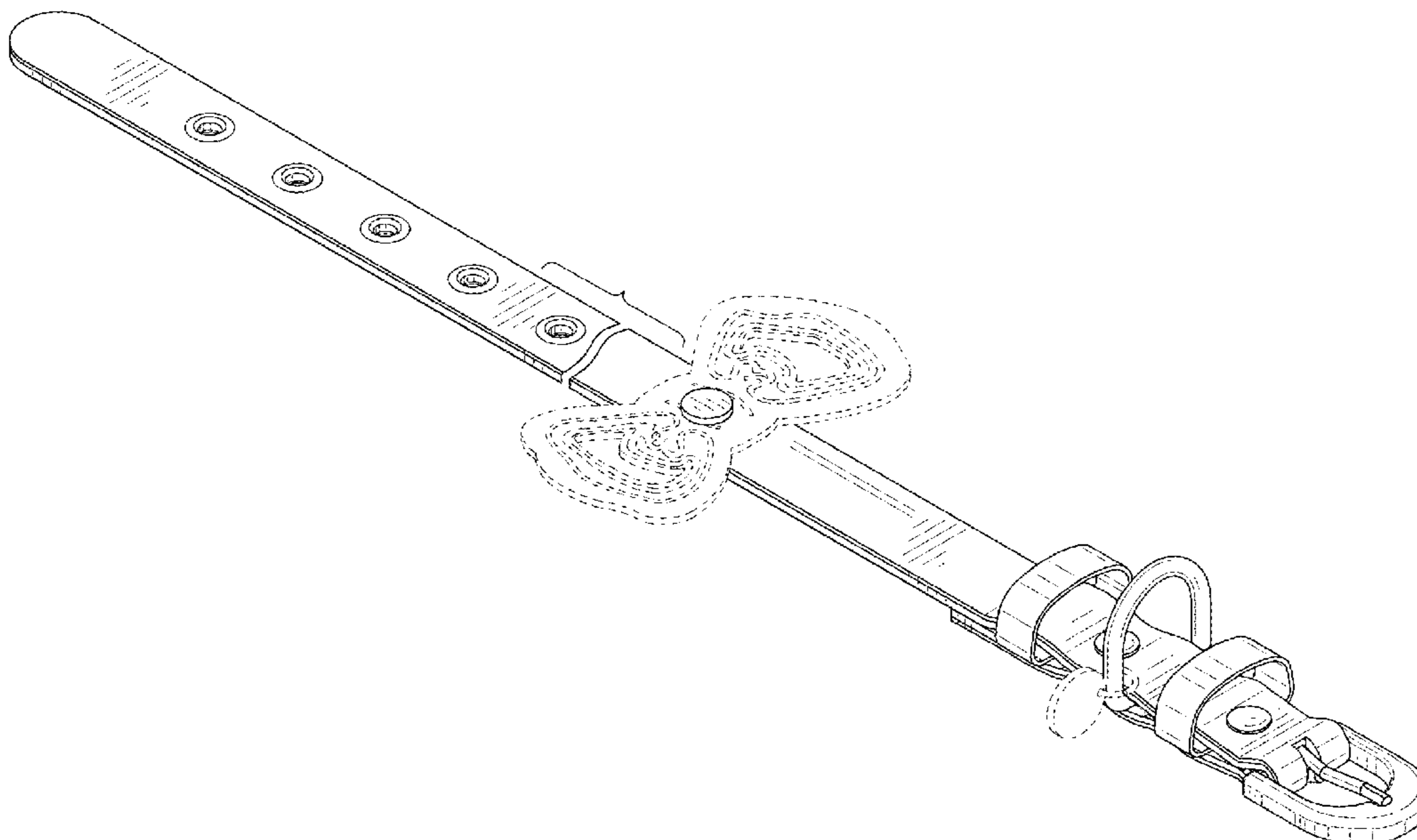
FIG. 8 is a bottom plan view thereof.

The broken lines in the drawings show portions of the pet collar which form no part of the claimed design.

The pet collar is shown with a symbolic break in its length.

The appearance of any portion of the article between the break lines forms no part of the claimed design.

**1 Claim, 8 Drawing Sheets**



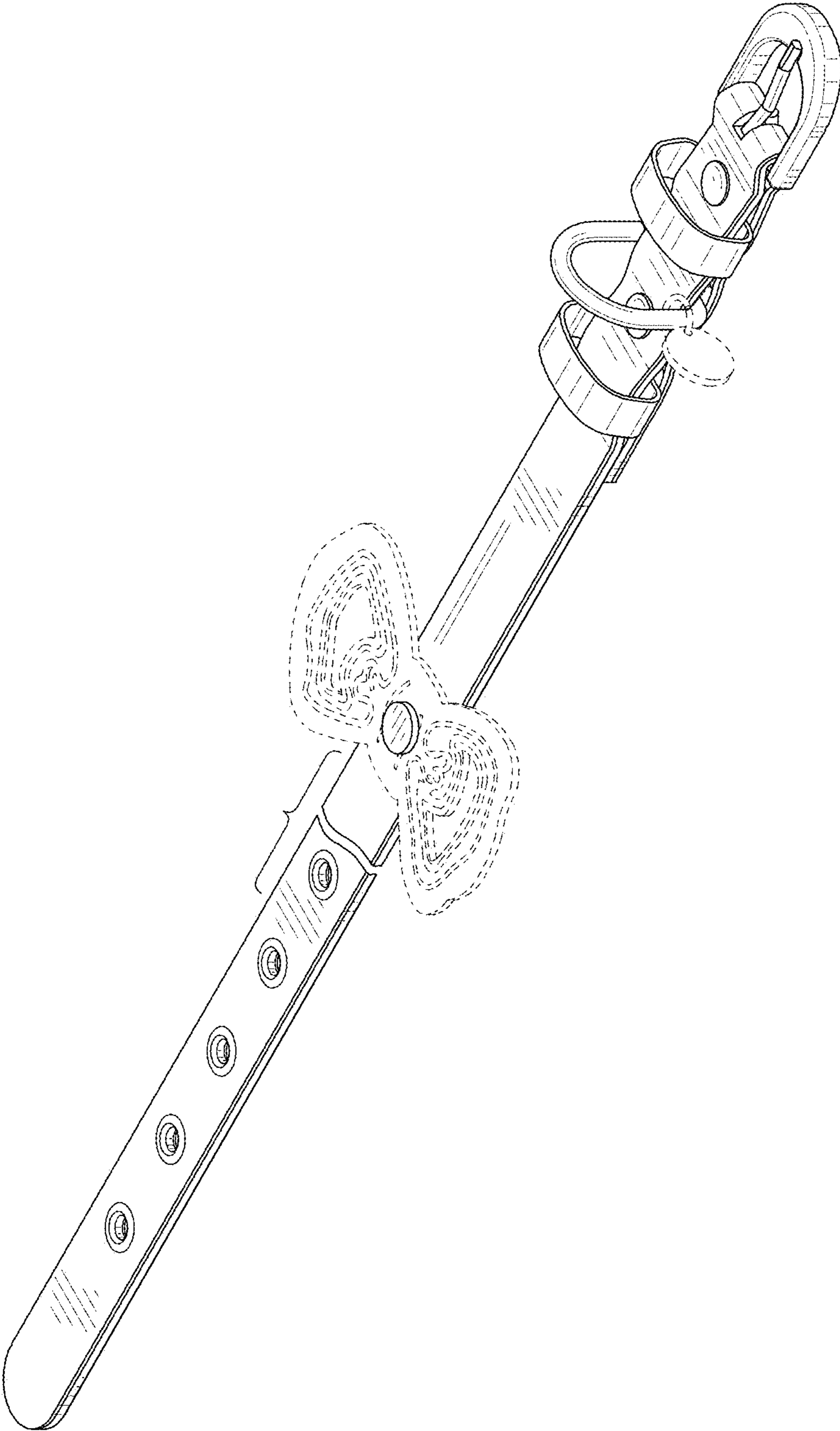


FIG. 1

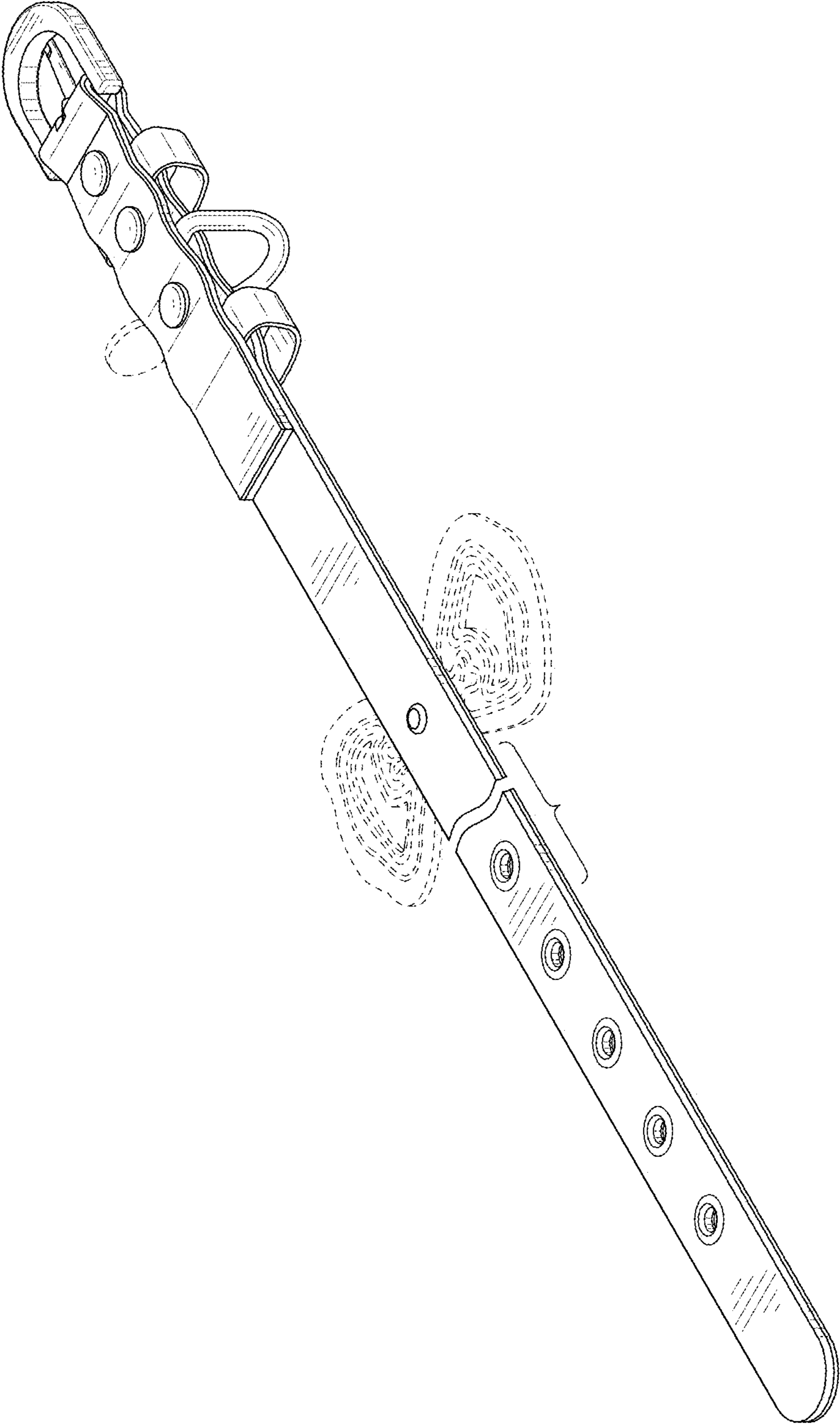


FIG. 2

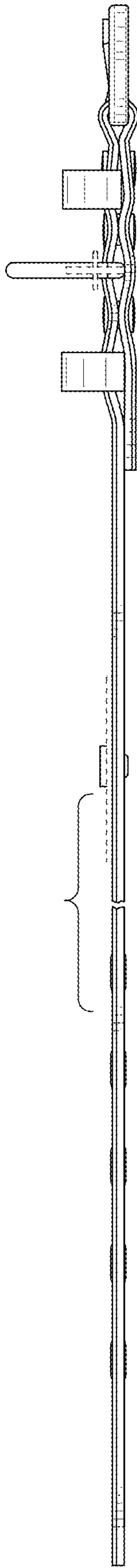


FIG. 3

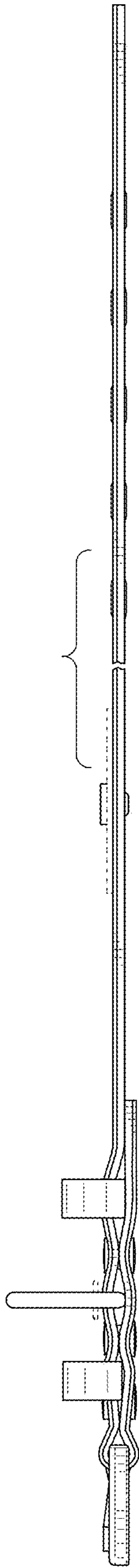


FIG. 4

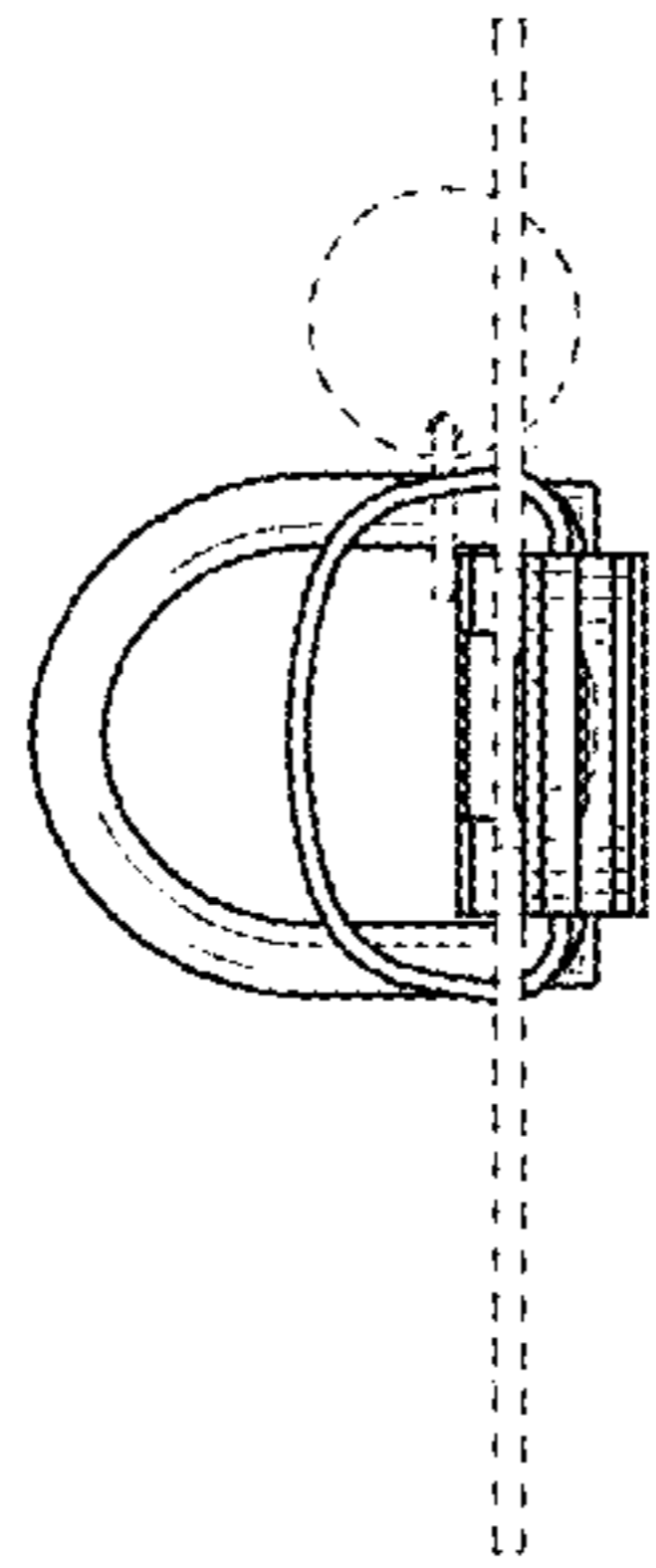


FIG. 5

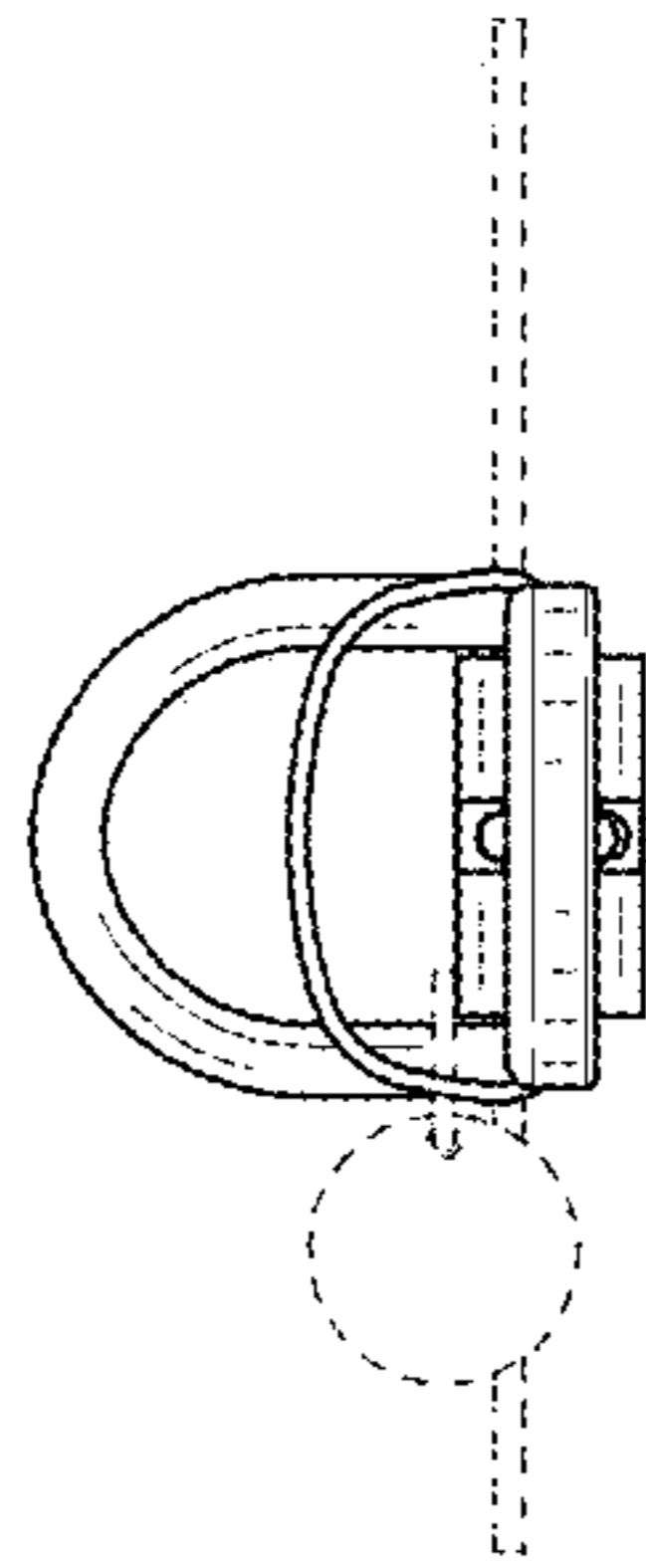


FIG. 6

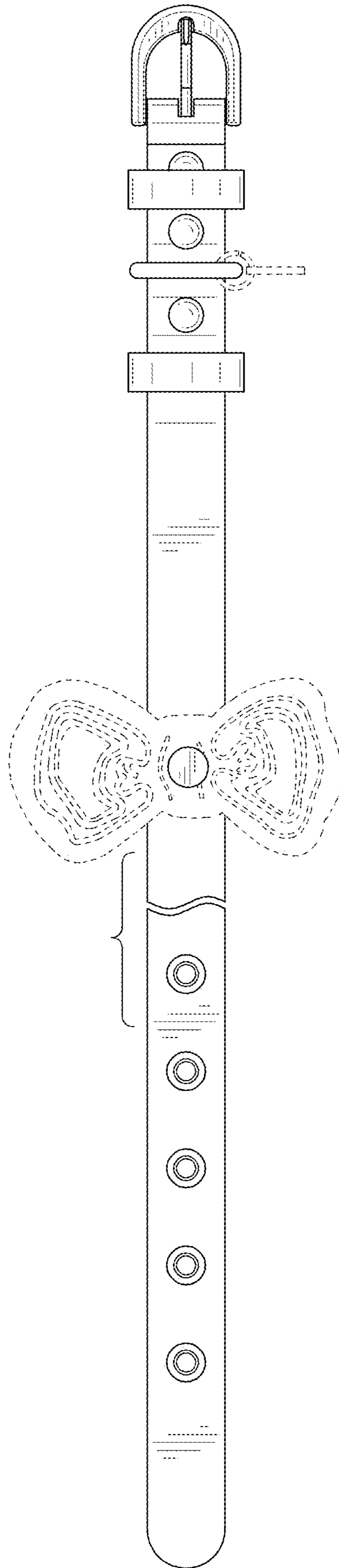


FIG. 7



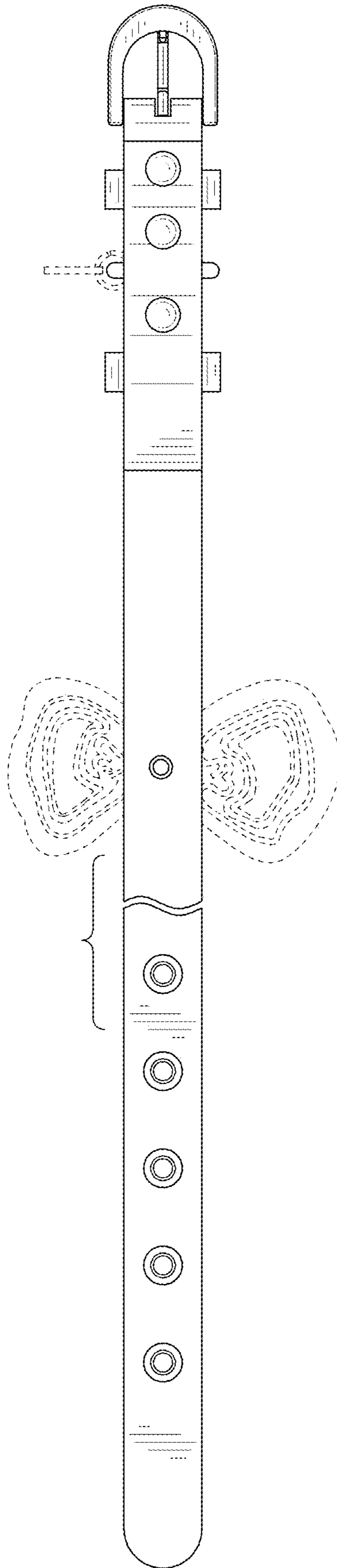


FIG. 8