



US00D949491S

(12) **United States Design Patent**  
**Phillips**

(10) **Patent No.:** **US D949,491 S**  
(45) **Date of Patent:** **\*\* Apr. 19, 2022**

(54) **WATER CUP FOR POULTRY**  
(71) Applicant: **RentACoop LLC**, Germantown, MD (US)  
(72) Inventor: **Tyler Phillips**, Germantown, MD (US)  
(73) Assignee: **RENTACOOPL LLC**, Germantown, MD (US)  
(\*\*) Term: **15 Years**

D681,885 S \* 5/2013 Pitter ..... D30/129  
D711,740 S \* 8/2014 Lien ..... E03C 1/0404  
D9/436  
D712,519 S \* 9/2014 Lu ..... E03C 1/0404  
D23/255  
D752,179 S \* 3/2016 Lu ..... D23/209  
D794,875 S \* 8/2017 Hinze ..... D30/129  
D854,662 S \* 7/2019 Schaubach ..... D23/255  
D861,137 S \* 9/2019 Chen ..... D23/255  
D873,384 S \* 1/2020 Guo ..... D23/255  
10,653,117 B2 5/2020 Delman  
D937,382 S \* 11/2021 Chiu ..... D23/202

\* cited by examiner

(21) Appl. No.: **29/803,122**  
(22) Filed: **Aug. 10, 2021**  
(51) **LOC (13) Cl.** ..... **30-03**  
(52) **U.S. Cl.**  
USPC ..... **D30/132**  
(58) **Field of Classification Search**  
USPC ..... D8/1-2; D9/738, 763-764; D23/202,  
D23/207, 211.1, 211.2, 212, 213;  
D30/121-133  
CPC .. A01K 5/0114; A01K 5/0121; A01K 5/0135;  
A01K 7/005; A01K 7/00; A01K 39/02;  
F04B 23/00; F04B 23/02; Y10T  
137/86035; Y10T 137/8376  
See application file for complete search history.

*Primary Examiner* — Karen S Acker  
*Assistant Examiner* — Jonathan E Fiencke  
(74) *Attorney, Agent, or Firm* — Kanika Radhakrishnan;  
Evergreen Valley Law Group

(57) **CLAIM**

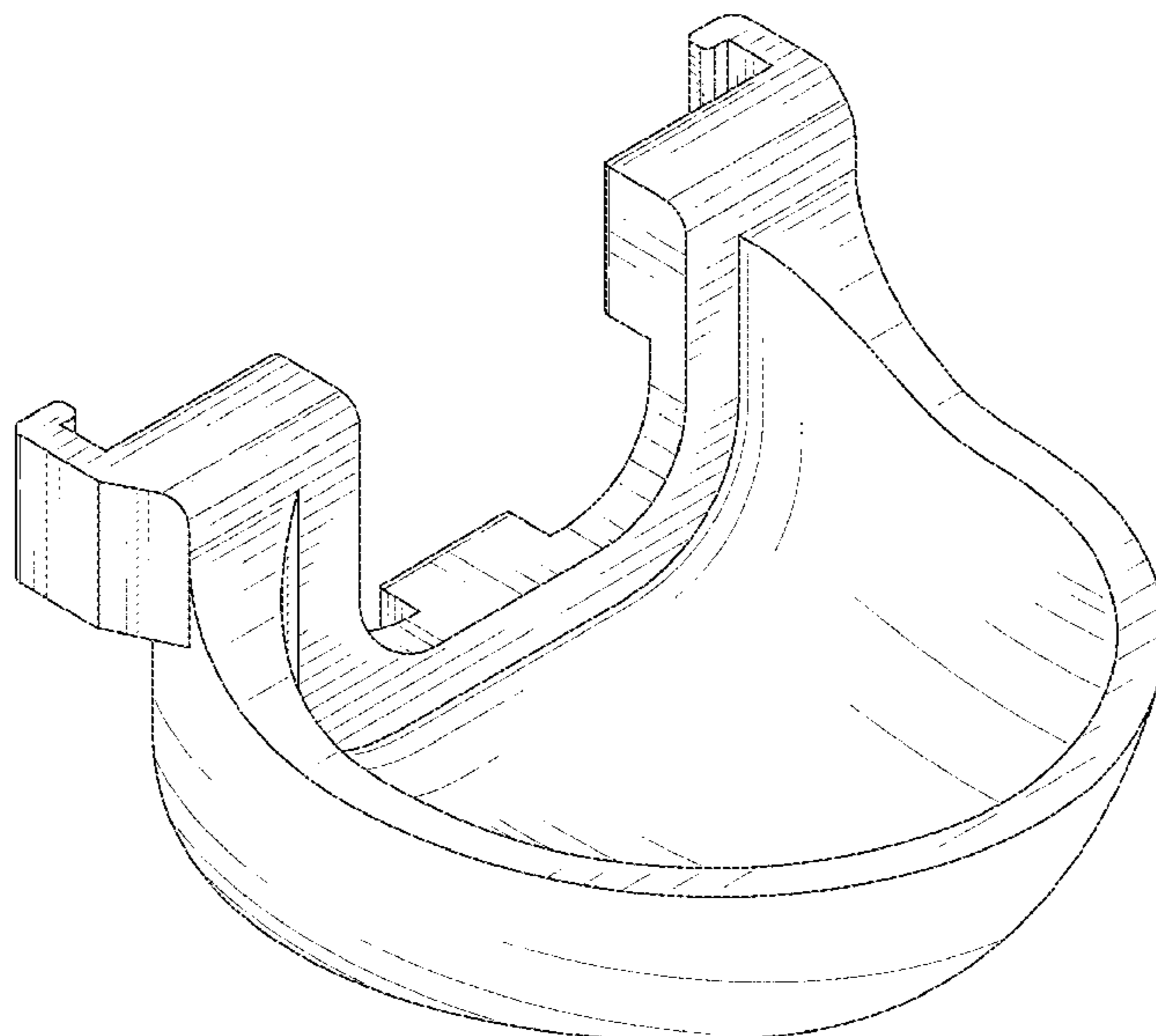
The ornamental design for a water cup for poultry, as shown and described.

**DESCRIPTION**

FIG. 1 illustrates a perspective view of a water cup for poultry;  
FIG. 2 illustrates a front elevation view thereof;  
FIG. 3 illustrates a rear elevation view thereof;  
FIG. 4 illustrates a right-side elevation view thereof;  
FIG. 5 illustrates a left-side elevation view thereof;  
FIG. 6 illustrates a top plan view thereof;  
FIG. 7 illustrates a bottom plan view thereof;  
FIG. 8 illustrates the front elevation of the water cup for poultry in a position of use;  
FIG. 9 illustrates the rear elevation view thereof; and,  
FIG. 10 illustrates the left-side elevation view thereof.  
The broken lines in FIGS. 8-10 depict the environmental structure of a water dispensing nipple that forms no part of the claimed design.

(56) **References Cited**  
U.S. PATENT DOCUMENTS  
4,221,188 A 9/1980 Hostetler  
4,248,178 A 2/1981 Kneubuehl  
5,245,950 A 9/1993 Johnson  
5,456,210 A 10/1995 Miller  
5,857,429 A 1/1999 Hostetler  
6,848,393 B2 2/2005 Debonne et al.  
D506,039 S \* 6/2005 Woodruff ..... D30/121  
7,681,526 B2 3/2010 Roes et al.  
D624,151 S \* 9/2010 Davenport ..... D23/202  
D651,690 S \* 1/2012 Kendall ..... D23/225  
D679,367 S \* 4/2013 Kwok ..... D23/255

**1 Claim, 10 Drawing Sheets**



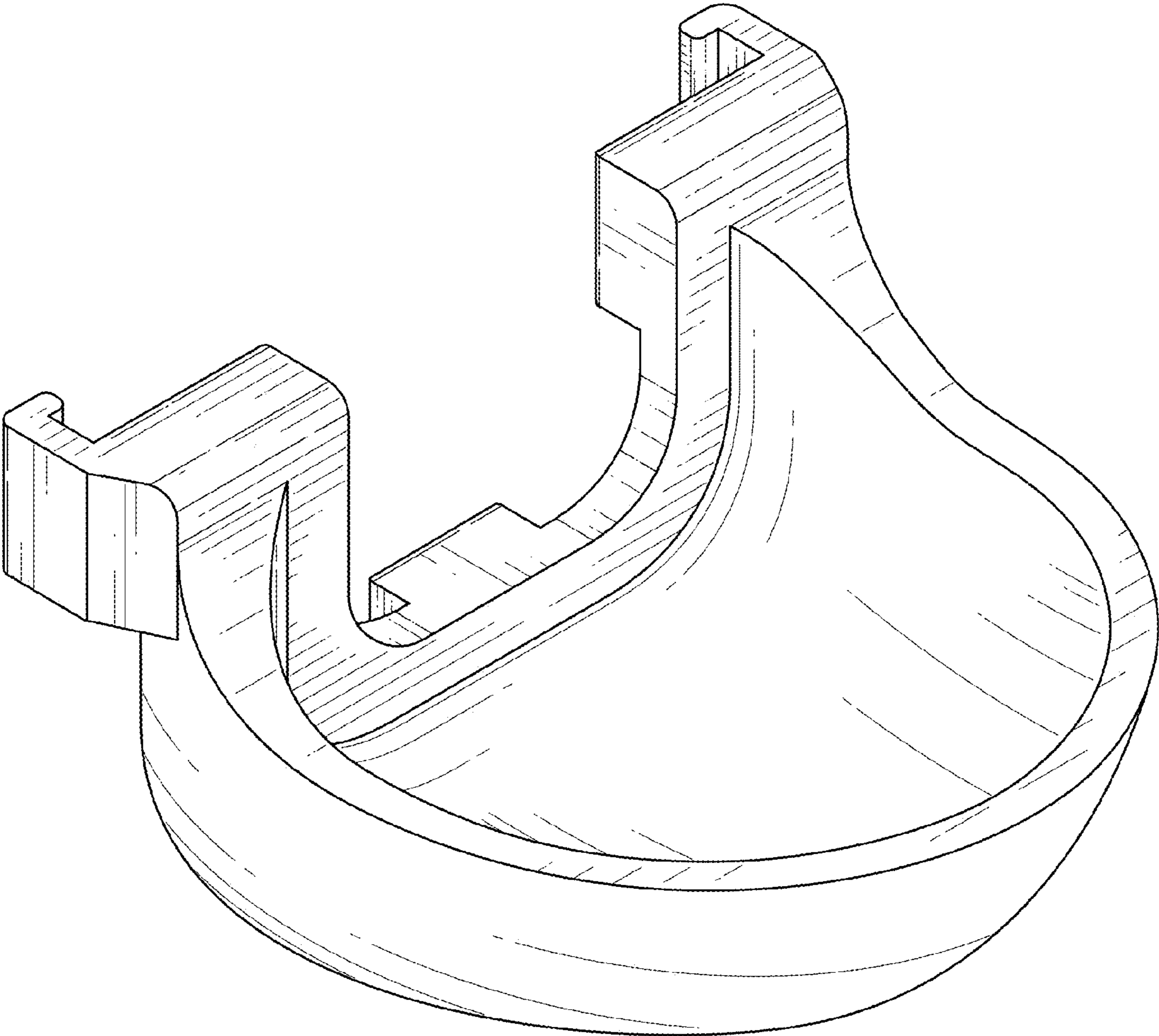


FIG. 1

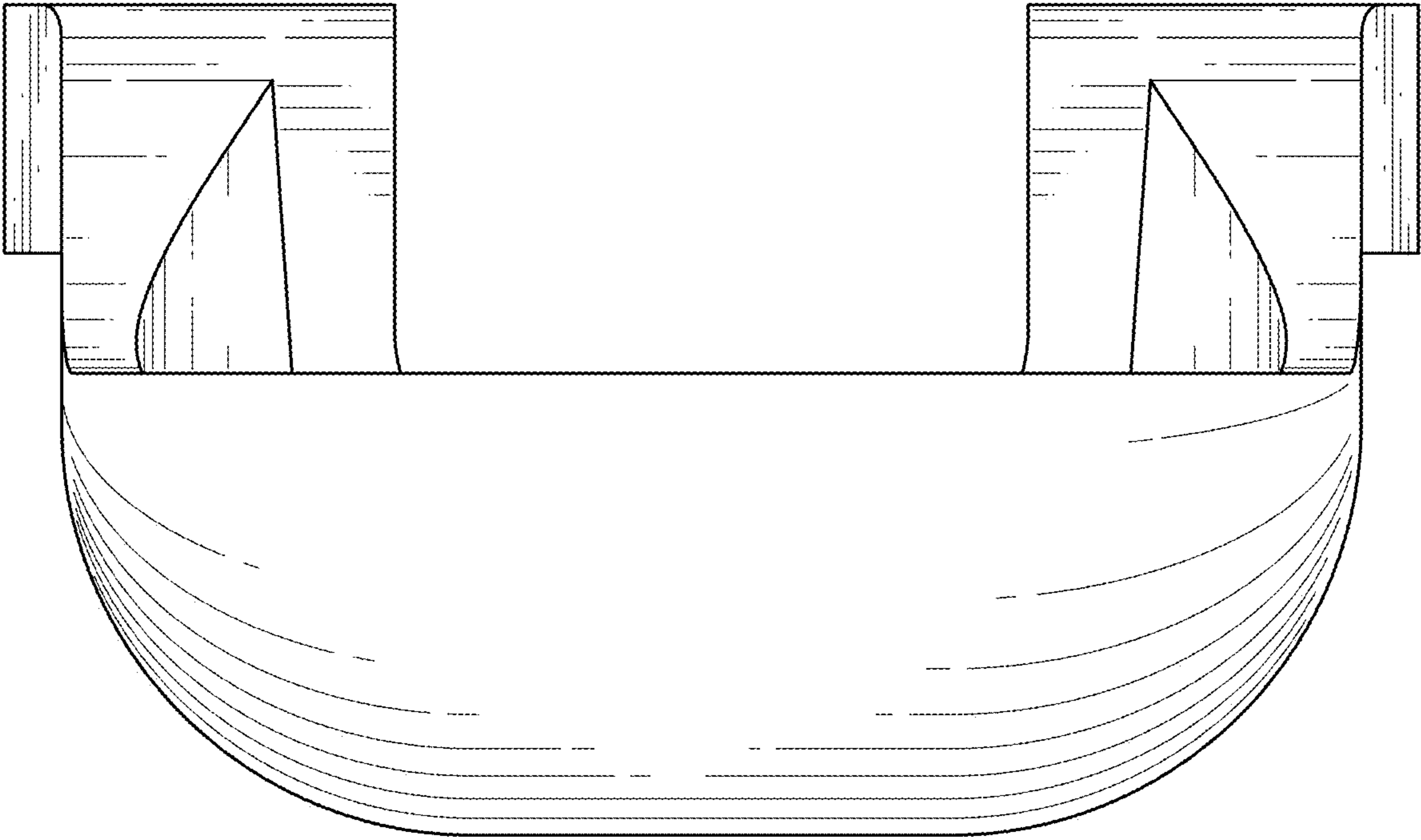


FIG. 2

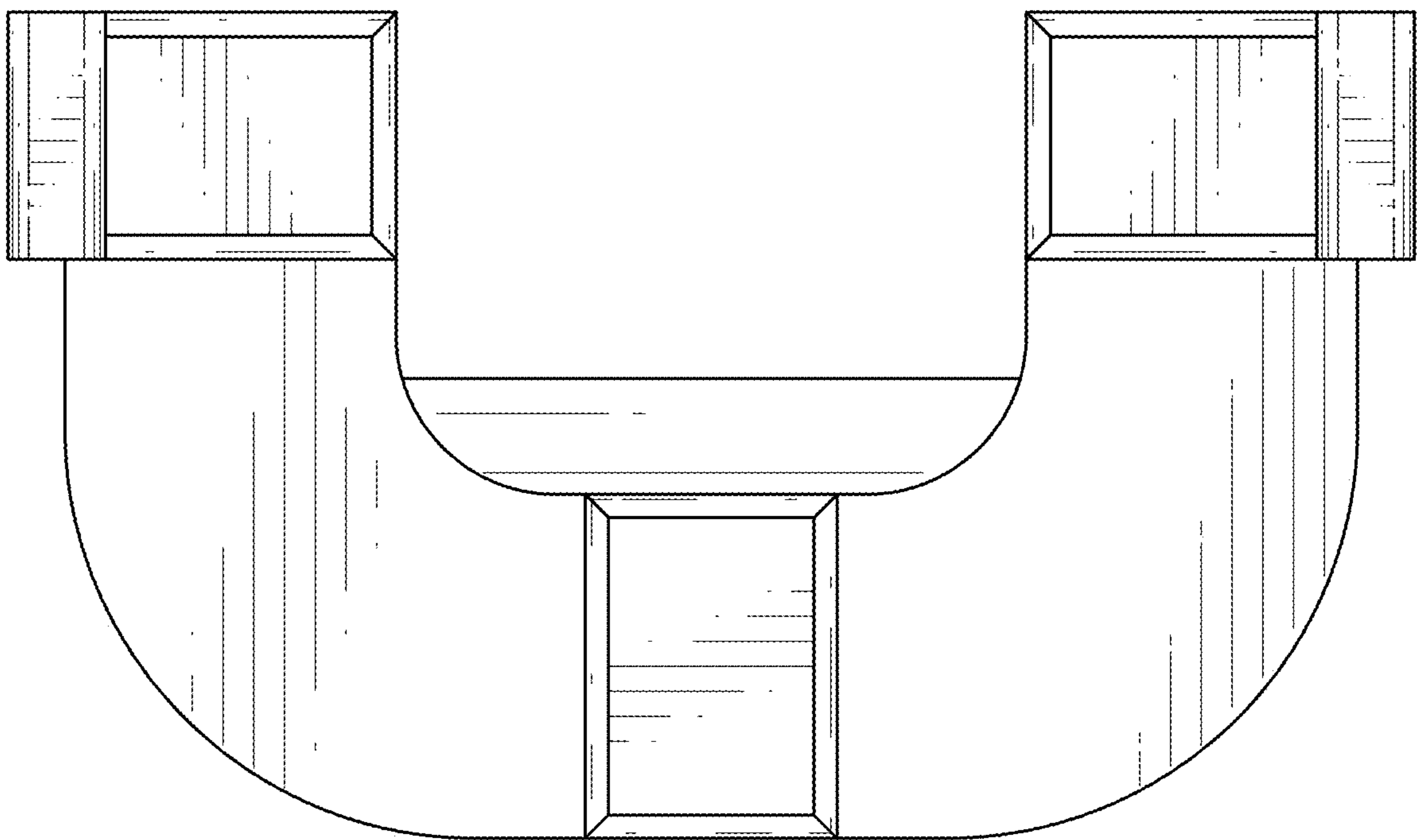


FIG. 3

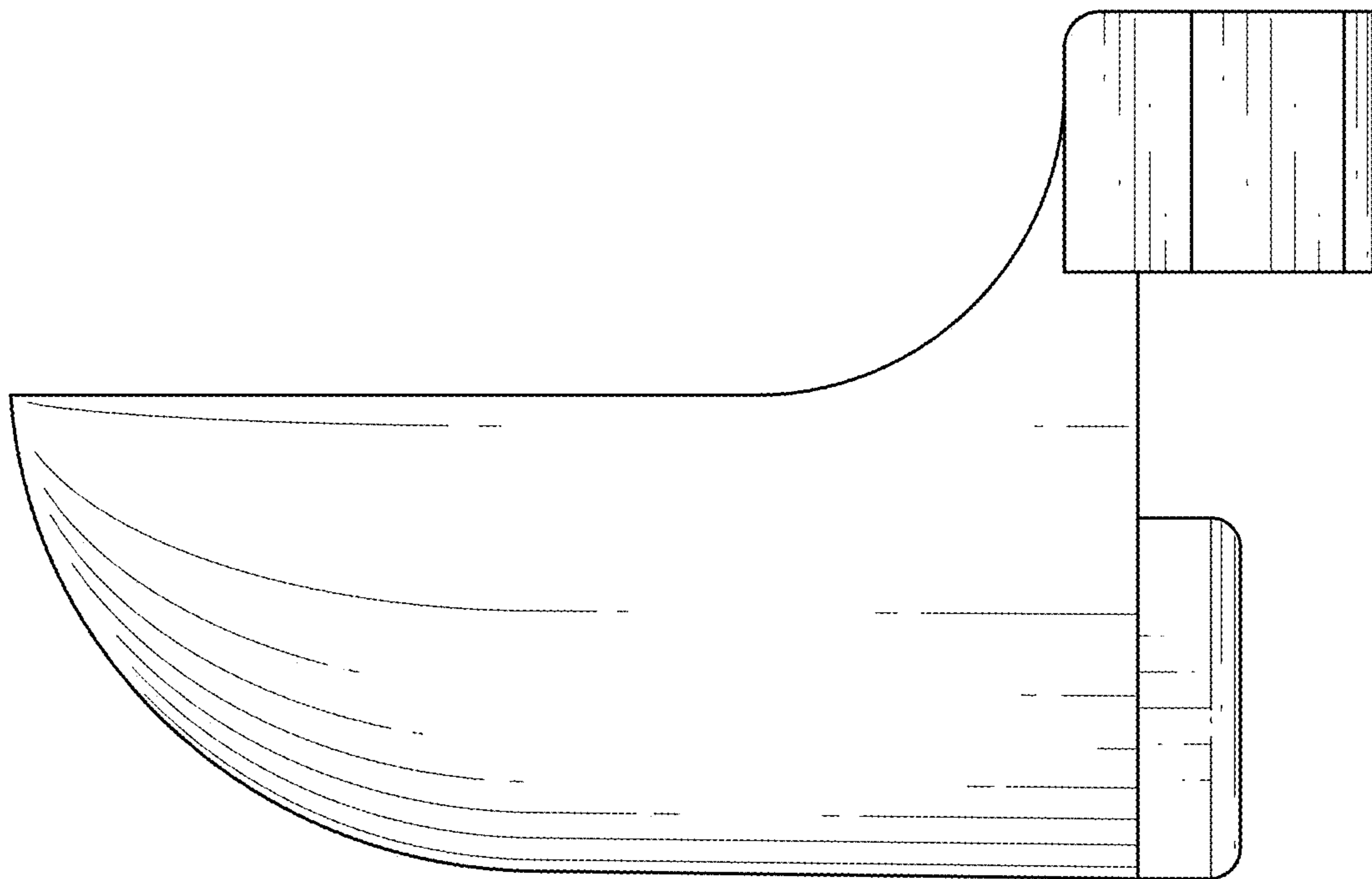


FIG. 4

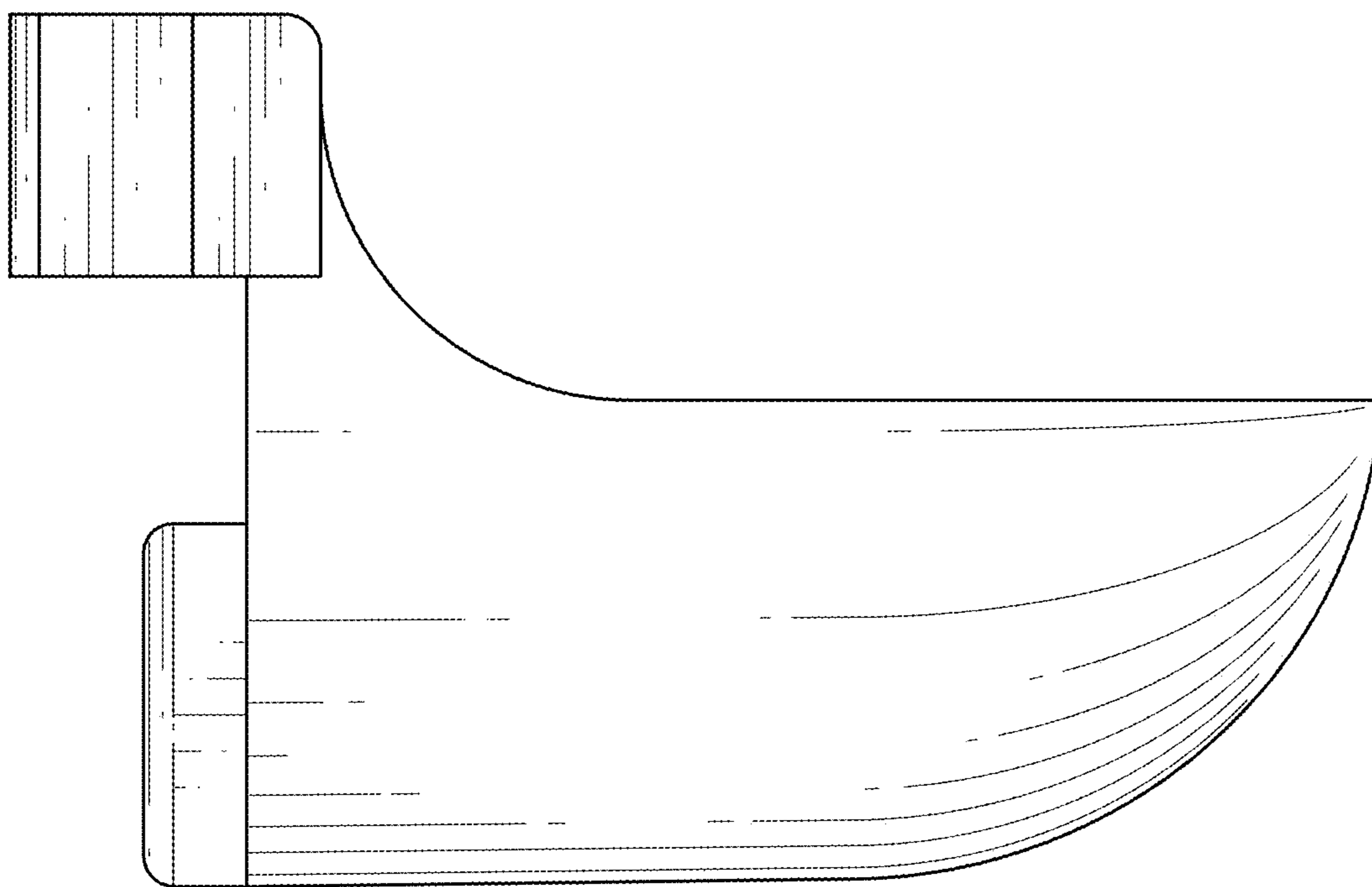


FIG. 5

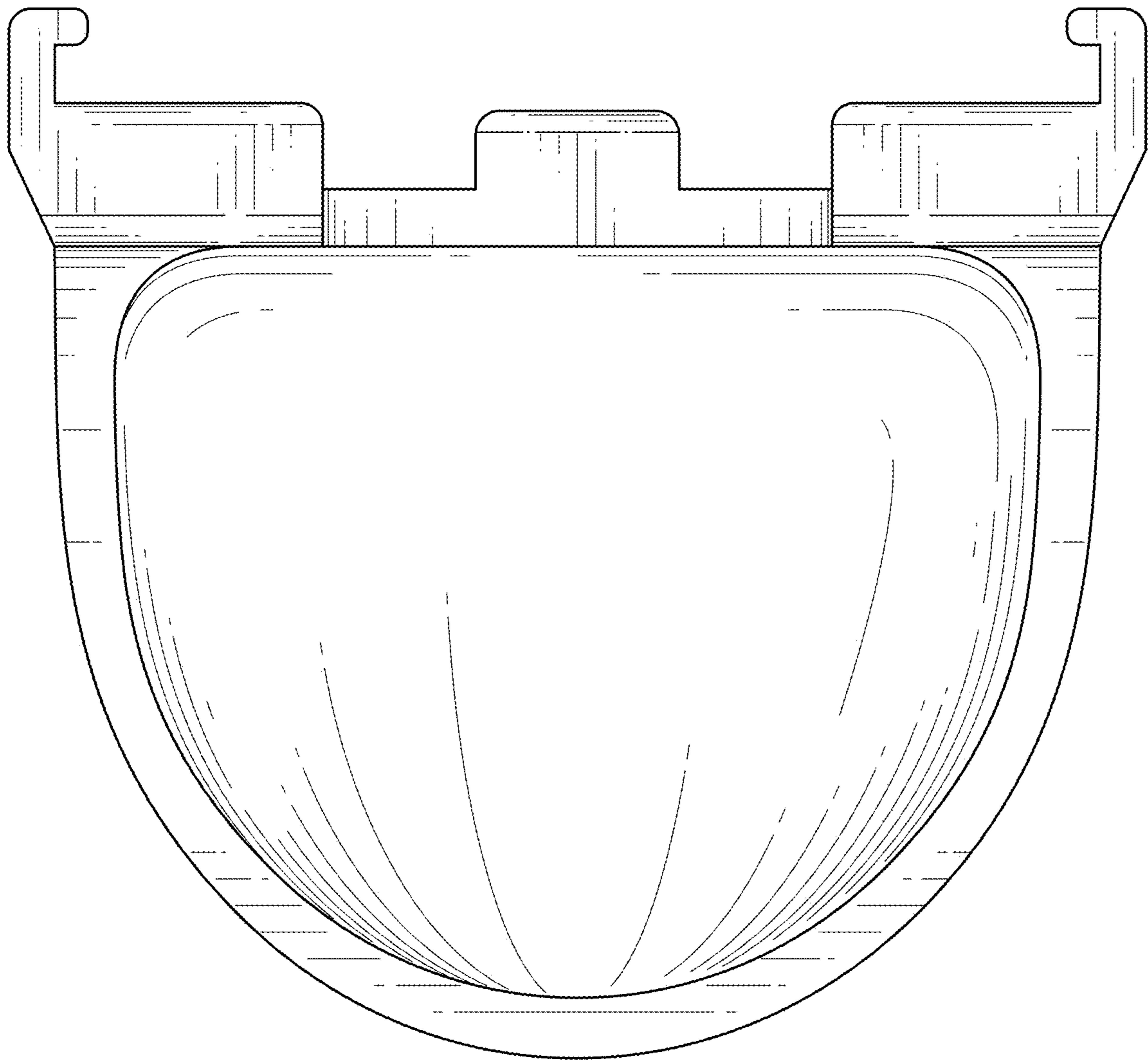


FIG. 6

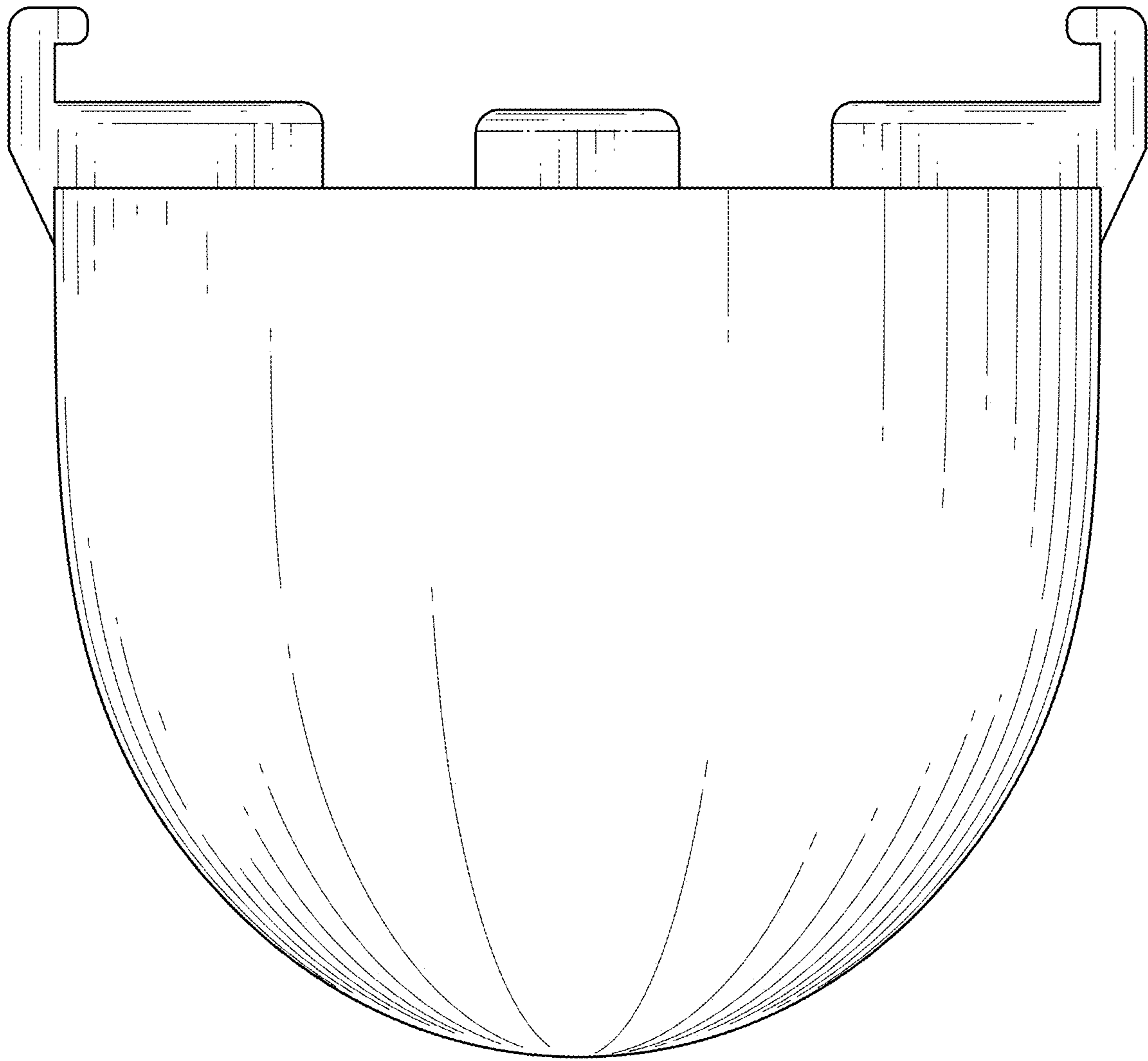


FIG. 7



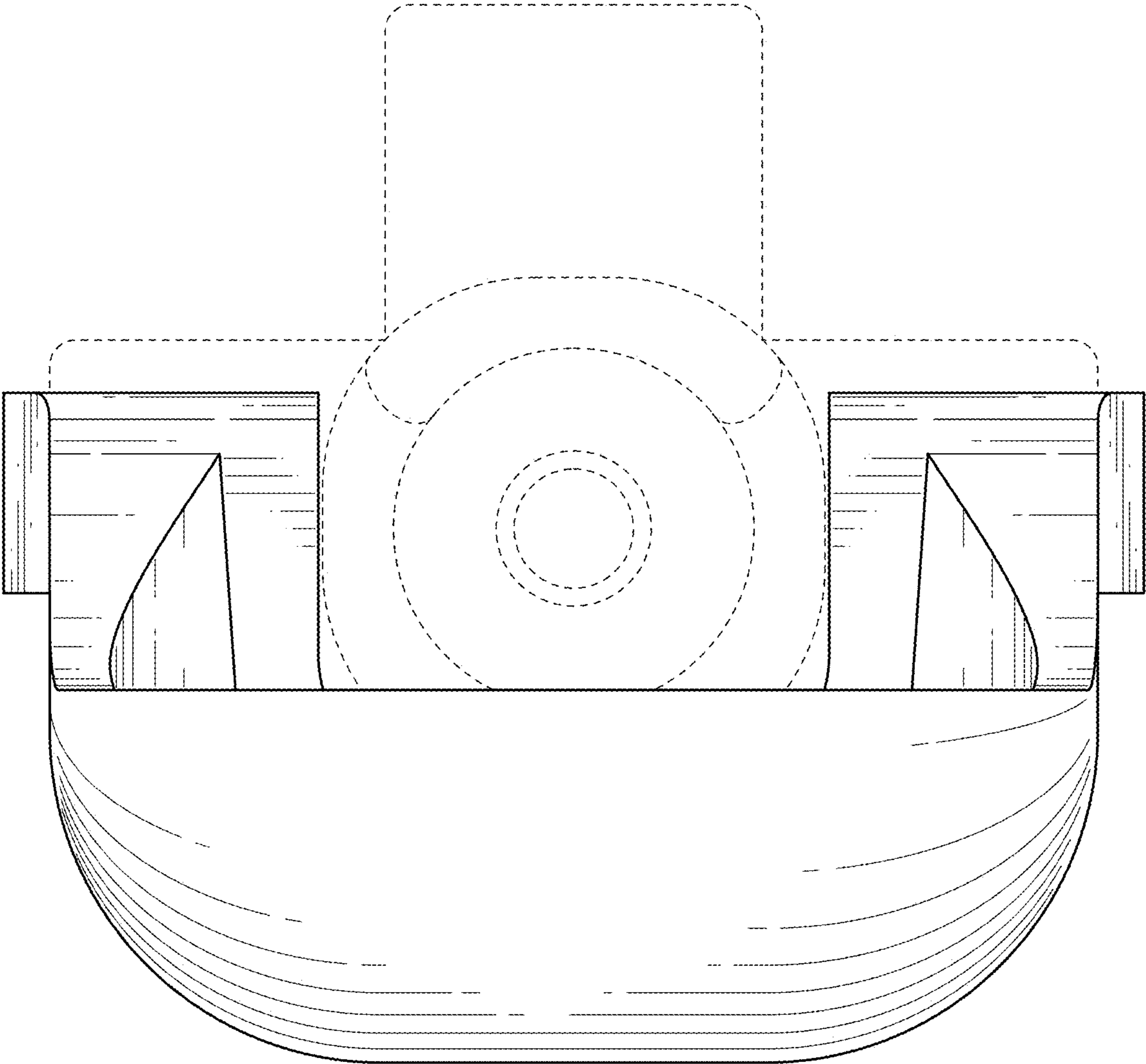


FIG. 8

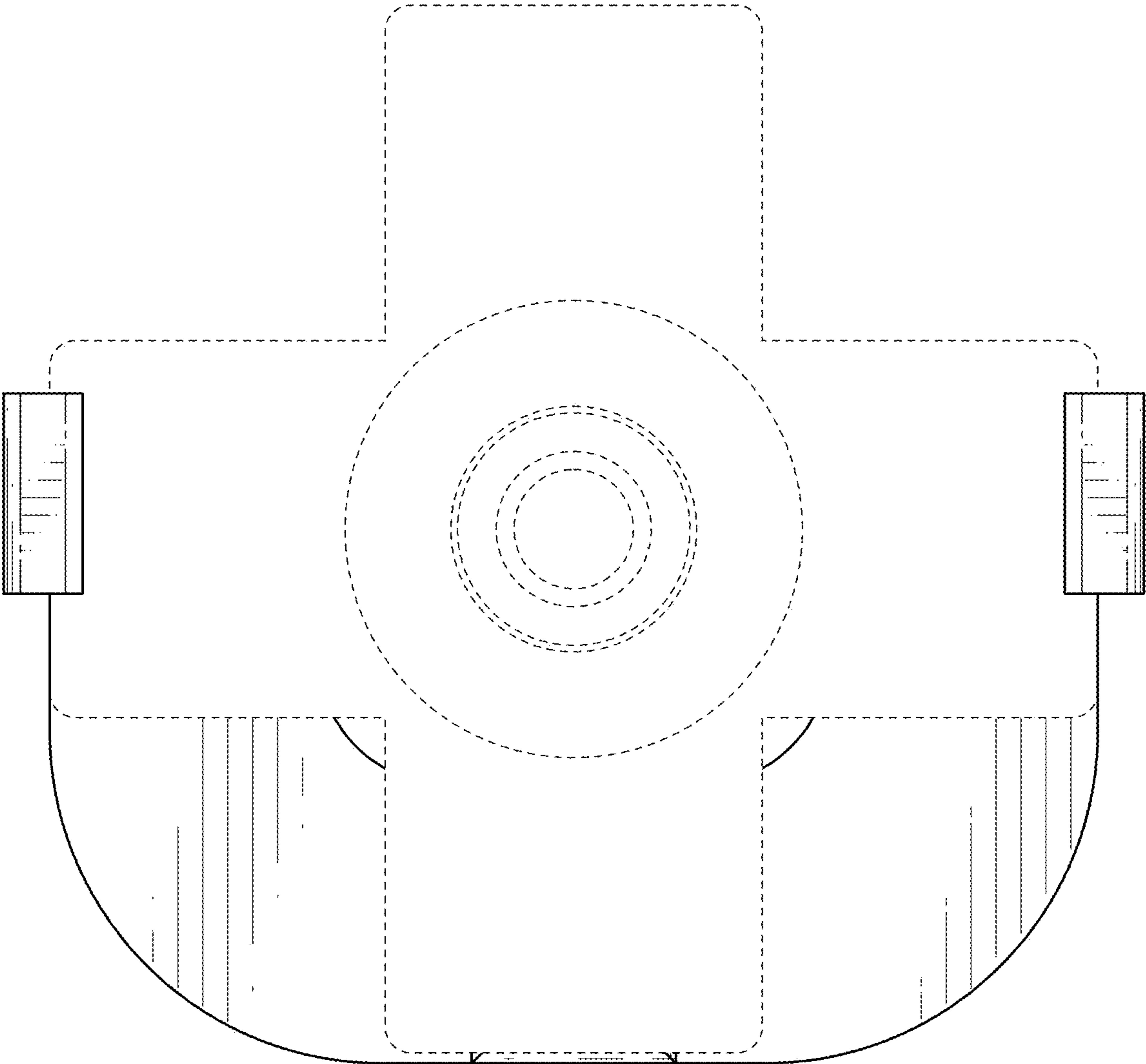


FIG. 9

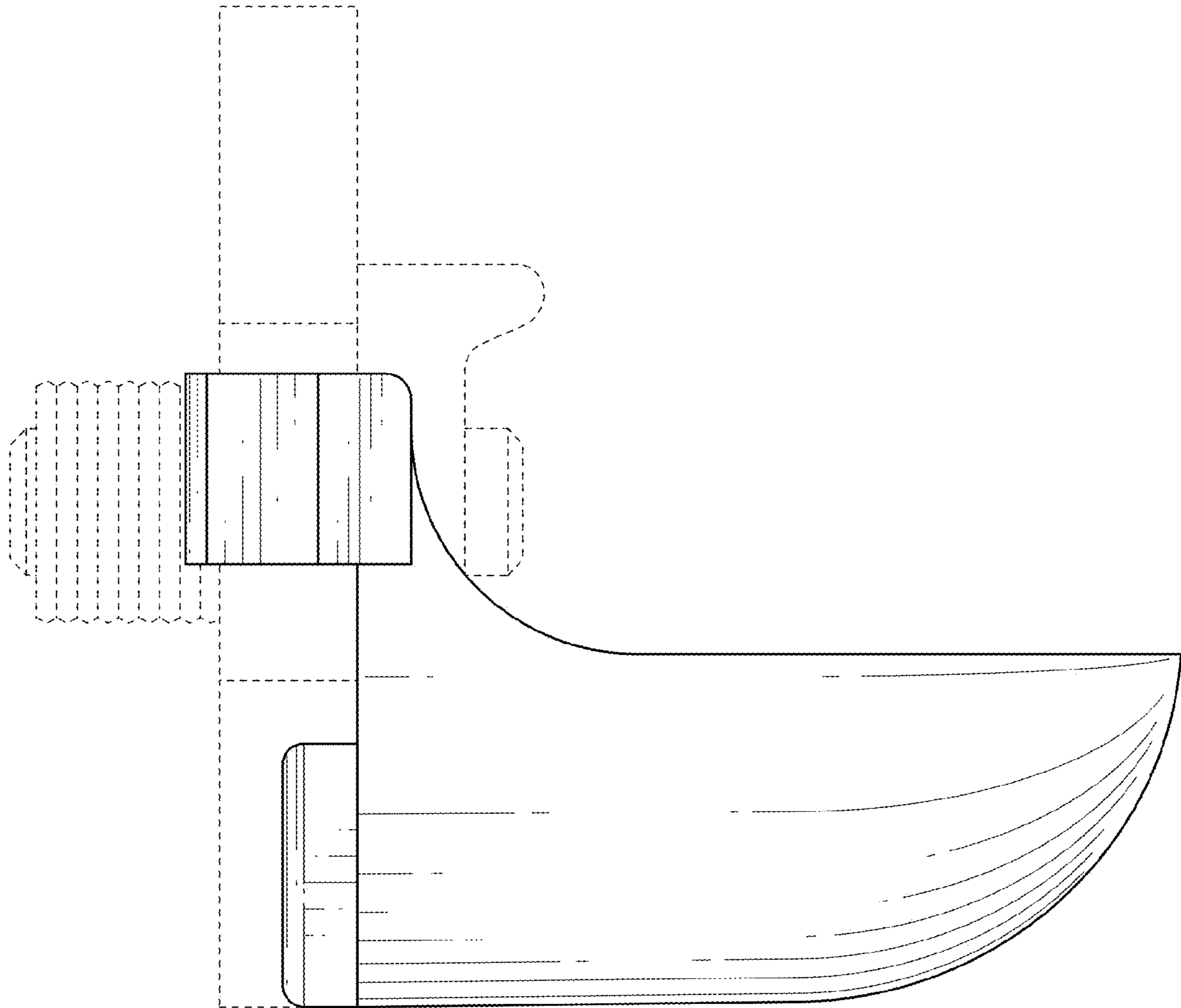


FIG. 10