



US00D949489S

(12) **United States Design Patent** (10) **Patent No.:** **US D949,489 S**  
**Tu** (45) **Date of Patent:** **\*\* Apr. 19, 2022**

(54) **PET WATER FOUNTAIN**

(71) Applicant: **Zhushi Tu**, Hubei (CN)

(72) Inventor: **Zhushi Tu**, Hubei (CN)

(\*\*) Term: **15 Years**

(21) Appl. No.: **29/753,069**

(22) Filed: **Sep. 29, 2020**

(30) **Foreign Application Priority Data**

Jun. 10, 2020 (CN) ..... 202030291661.0

(51) **LOC (13) Cl.** ..... **30-03**

(52) **U.S. Cl.**  
USPC ..... **D30/132**

(58) **Field of Classification Search**  
USPC ..... D23/202, 207, 209, 213, 222, 225,  
D23/255–256, 272–273; D30/121–133  
CPC .. A01K 5/0114; A01K 5/0121; A01K 5/0135;  
A01K 7/005; A01K 7/00; A01K 39/02;  
F04B 23/00; F04B 23/02; Y10T  
137/86035; Y10T 137/8376  
See application file for complete search history.

(56) **References Cited**

**U.S. PATENT DOCUMENTS**

- 4,085,706 A \* 4/1978 Evans ..... A01K 5/0114  
119/61.54
- D555,295 S \* 11/2007 Donegan ..... D30/121
- D582,102 S \* 12/2008 Roes ..... D30/121
- D623,806 S \* 9/2010 Modi ..... D30/129
- D636,539 S \* 4/2011 Montoya ..... D30/129
- D694,477 S \* 11/2013 Rowe ..... D30/132
- D696,820 S \* 12/2013 DiOrio ..... D30/124
- D704,903 S \* 5/2014 Fang ..... D30/132
- D739,176 S \* 9/2015 Renforth ..... D7/396.6

- D764,117 S \* 8/2016 Fang ..... D30/132
- D805,700 S \* 12/2017 Owens, III ..... A01K 5/0114  
D30/129
- D819,898 S \* 6/2018 Poisson ..... A01K 7/005  
D30/132
- 2019/0159426 A1 \* 5/2019 Pyter ..... A01K 7/005

**OTHER PUBLICATIONS**

Huicocy water fountain May 23, 2021 found on Nov. 1, 2021 at <https://www.amazon.com/dp/B0925D9TQK/> (Year: 2021).\*

\* cited by examiner

*Primary Examiner* — Karen S Acker  
*Assistant Examiner* — Jonathan E Fiencke

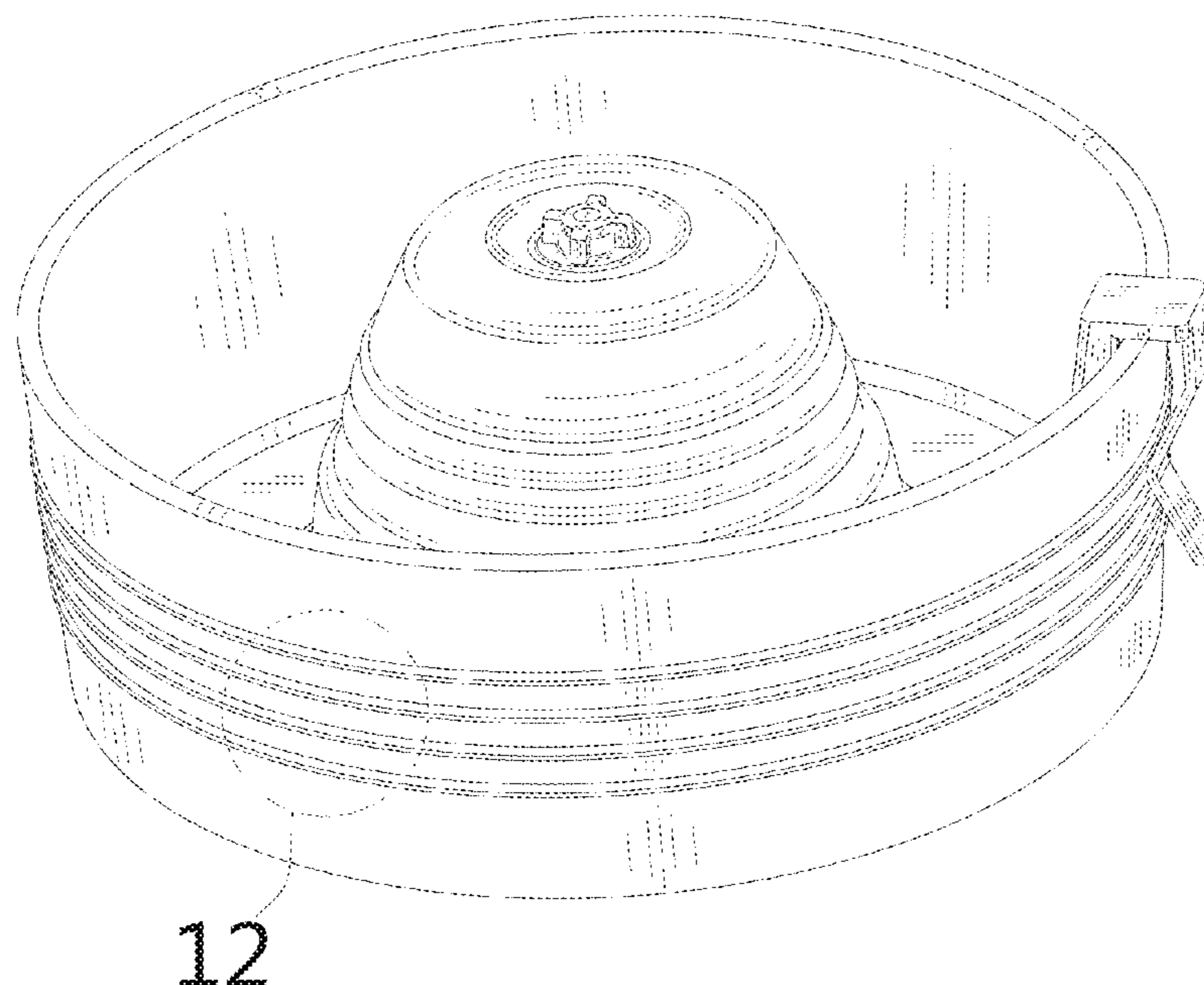
(57) **CLAIM**

The ornamental design for a pet water fountain, as shown and described.

**DESCRIPTION**

FIG. 1 is a front elevational view of a pet water fountain showing my new design;  
FIG. 2 is a rear elevational view thereof;  
FIG. 3 is a left side view thereof;  
FIG. 4 is a right side view thereof;  
FIG. 5 is a top plan view thereof;  
FIG. 6 is a bottom plan view thereof;  
FIG. 7 is a top, front and right side perspective view thereof;  
FIG. 8 is a top perspective view thereof;  
FIG. 9 is a bottom and front perspective view thereof;  
FIG. 10 is an enlarged view of portion 10 in FIG. 1;  
FIG. 11 is an enlarged view of portion 11 in FIG. 6; and,  
FIG. 12 is an enlarged view of portion 12 in FIG. 7.  
The dot dash dot broken lines in the drawings depict the boundaries of the detail areas and form no part of the claimed design.

**1 Claim, 12 Drawing Sheets**



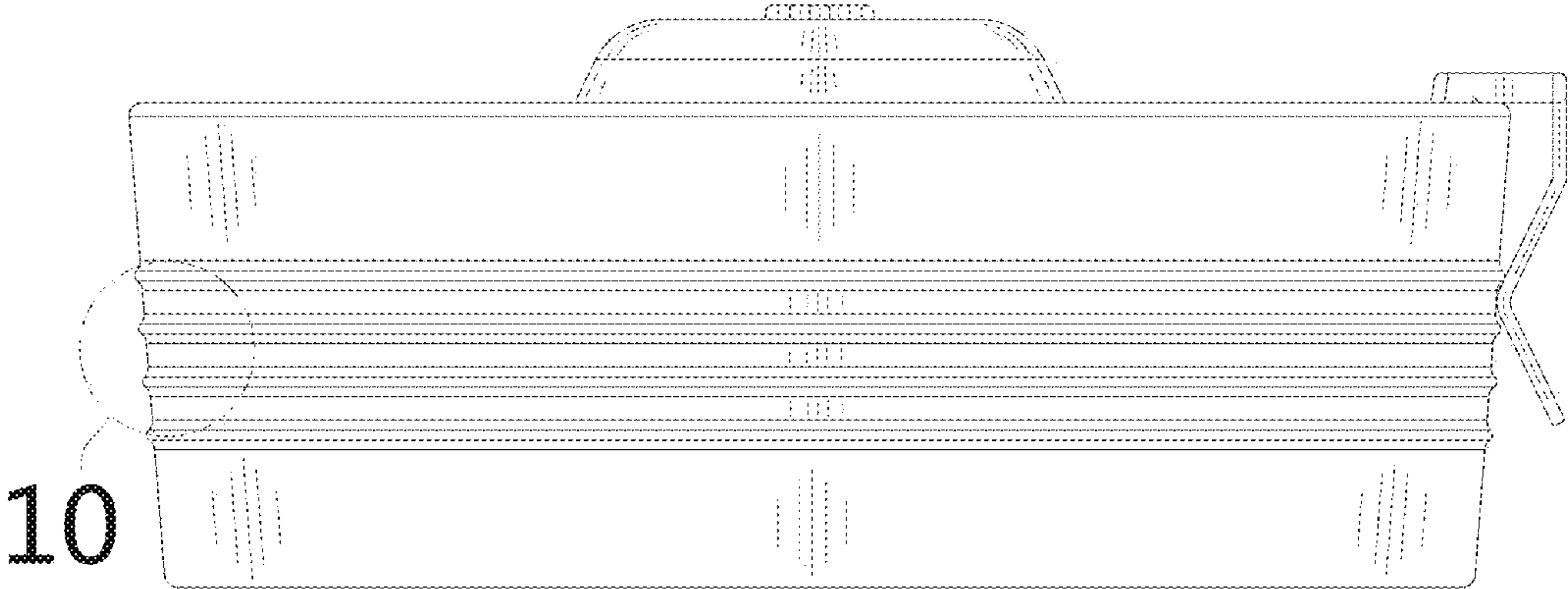


FIG. 1

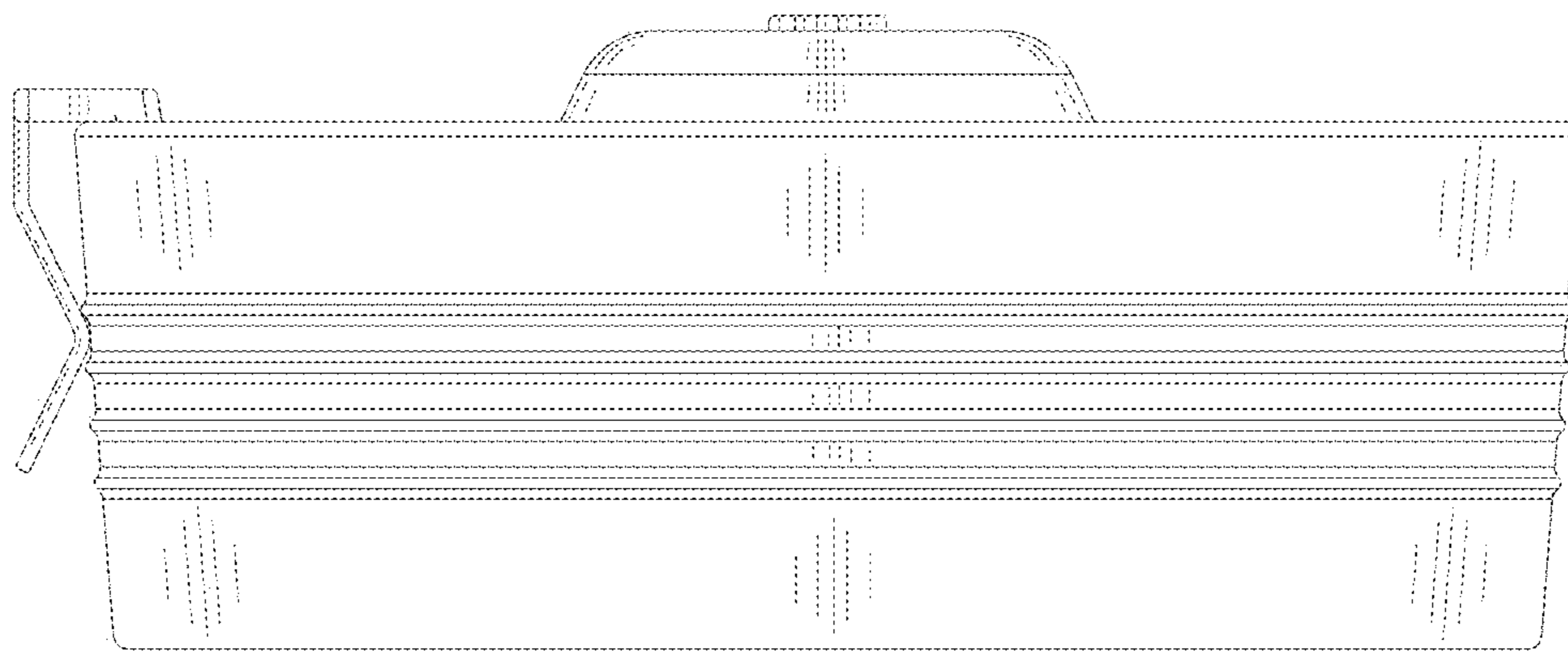


FIG. 2

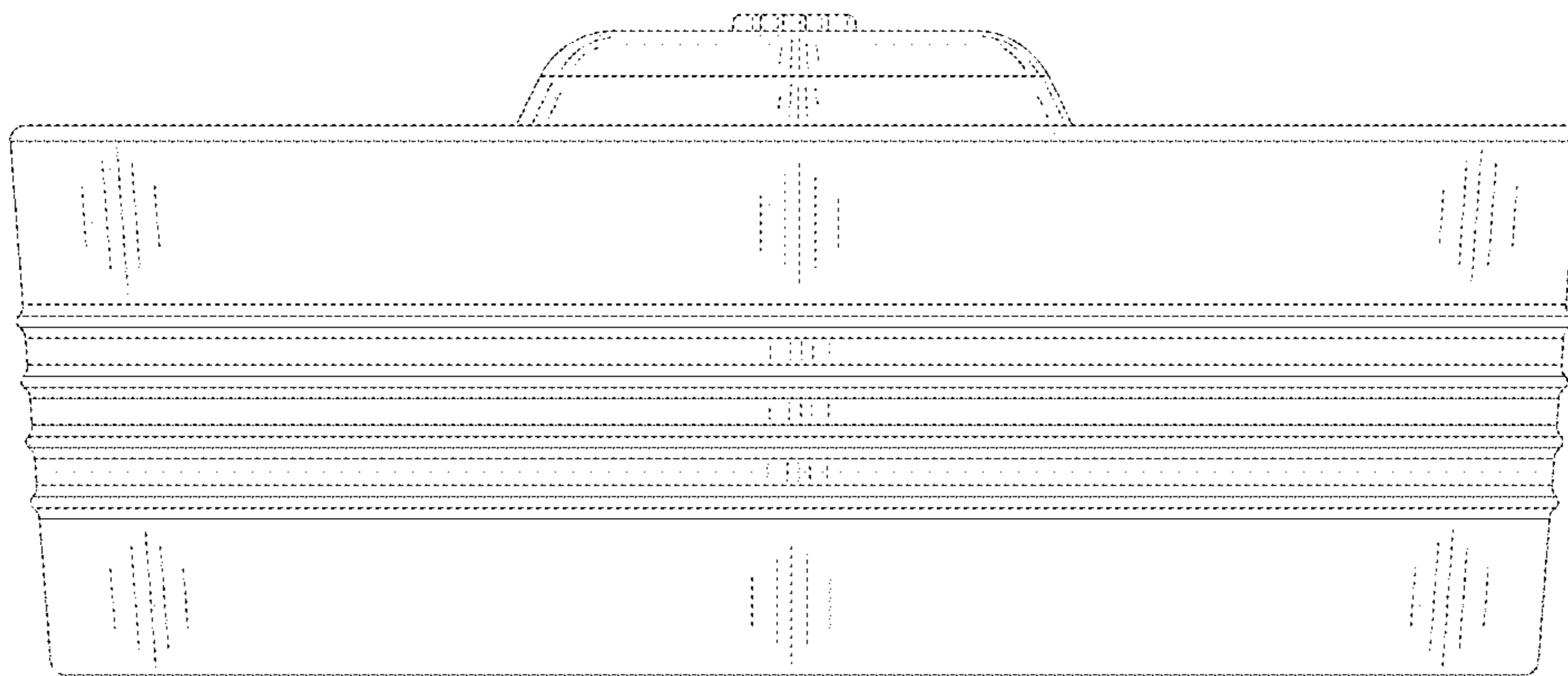


FIG. 3

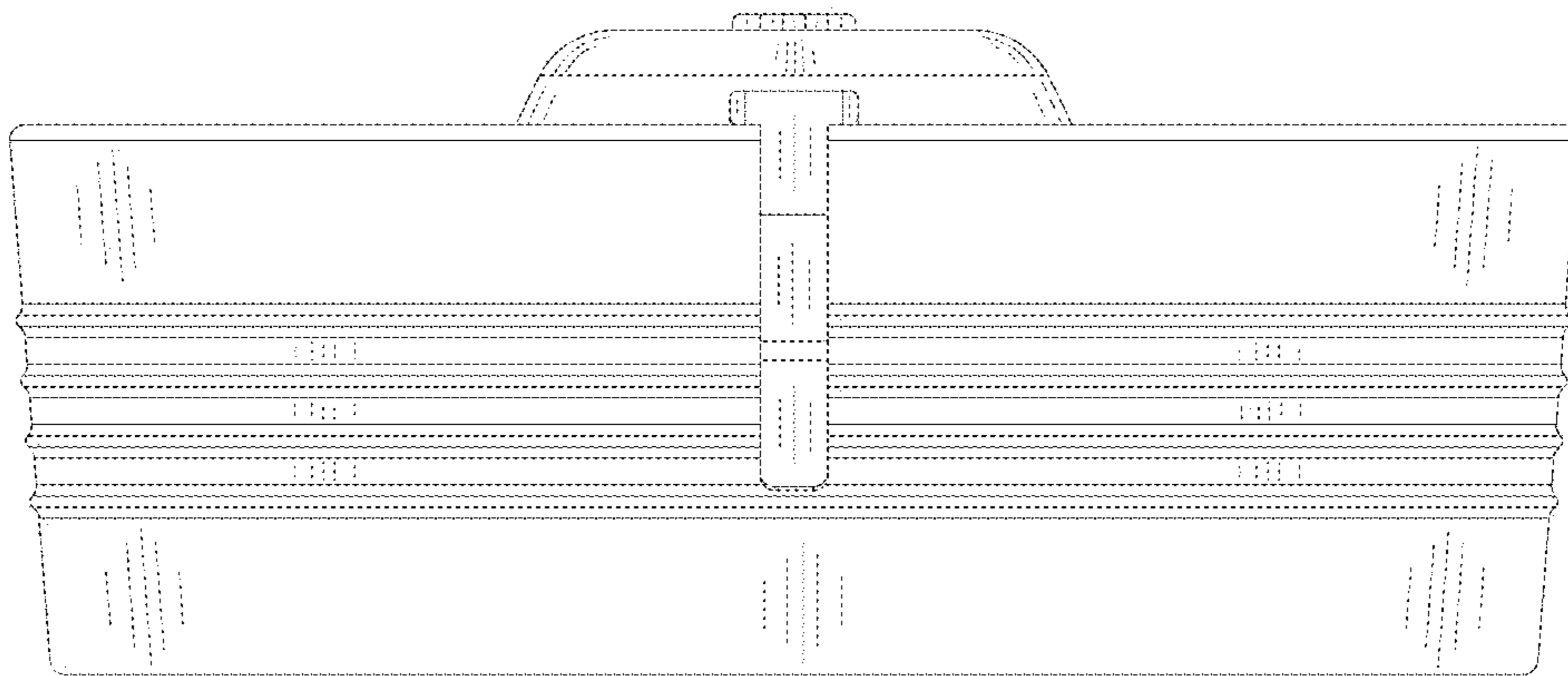


FIG. 4

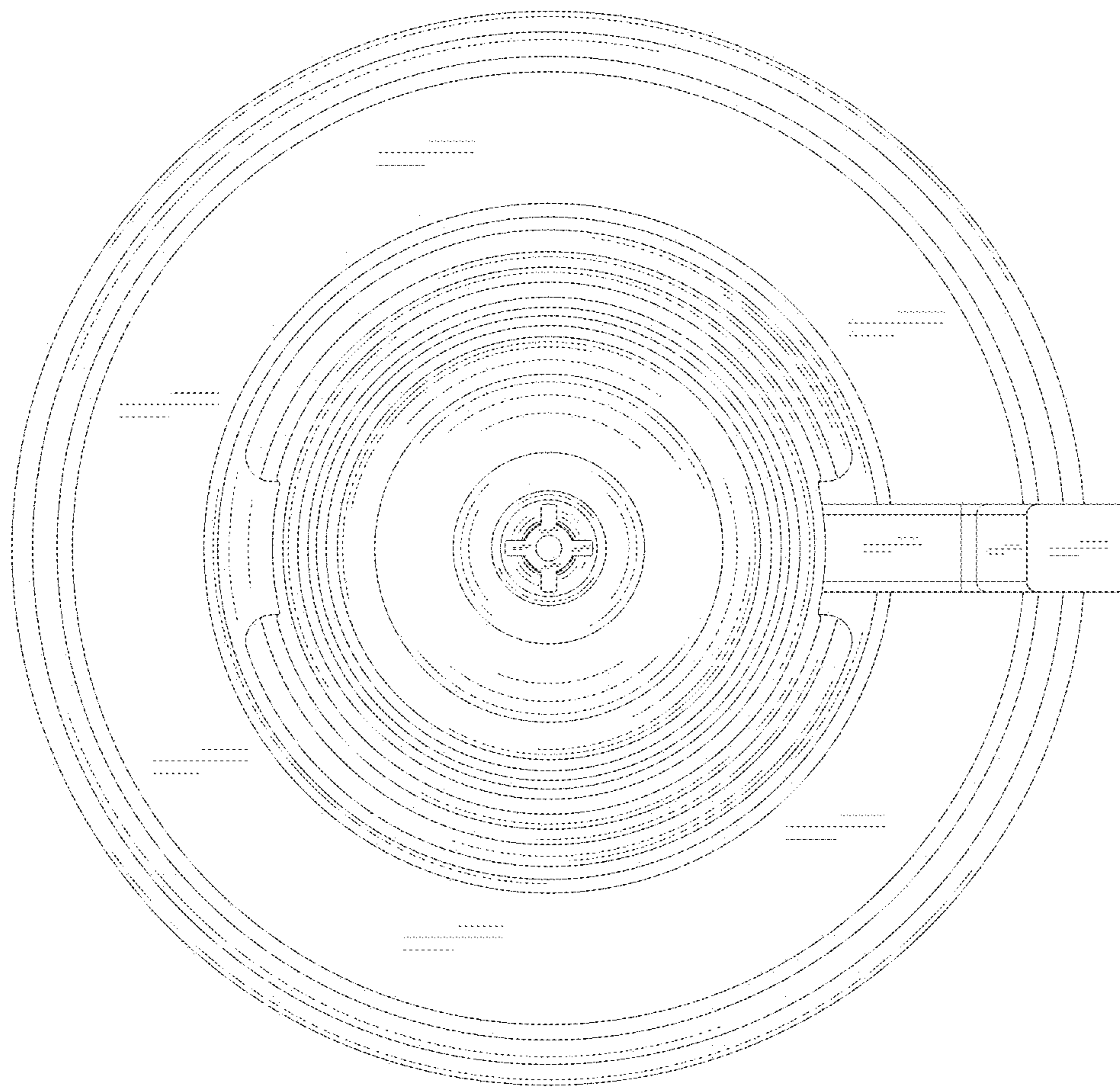
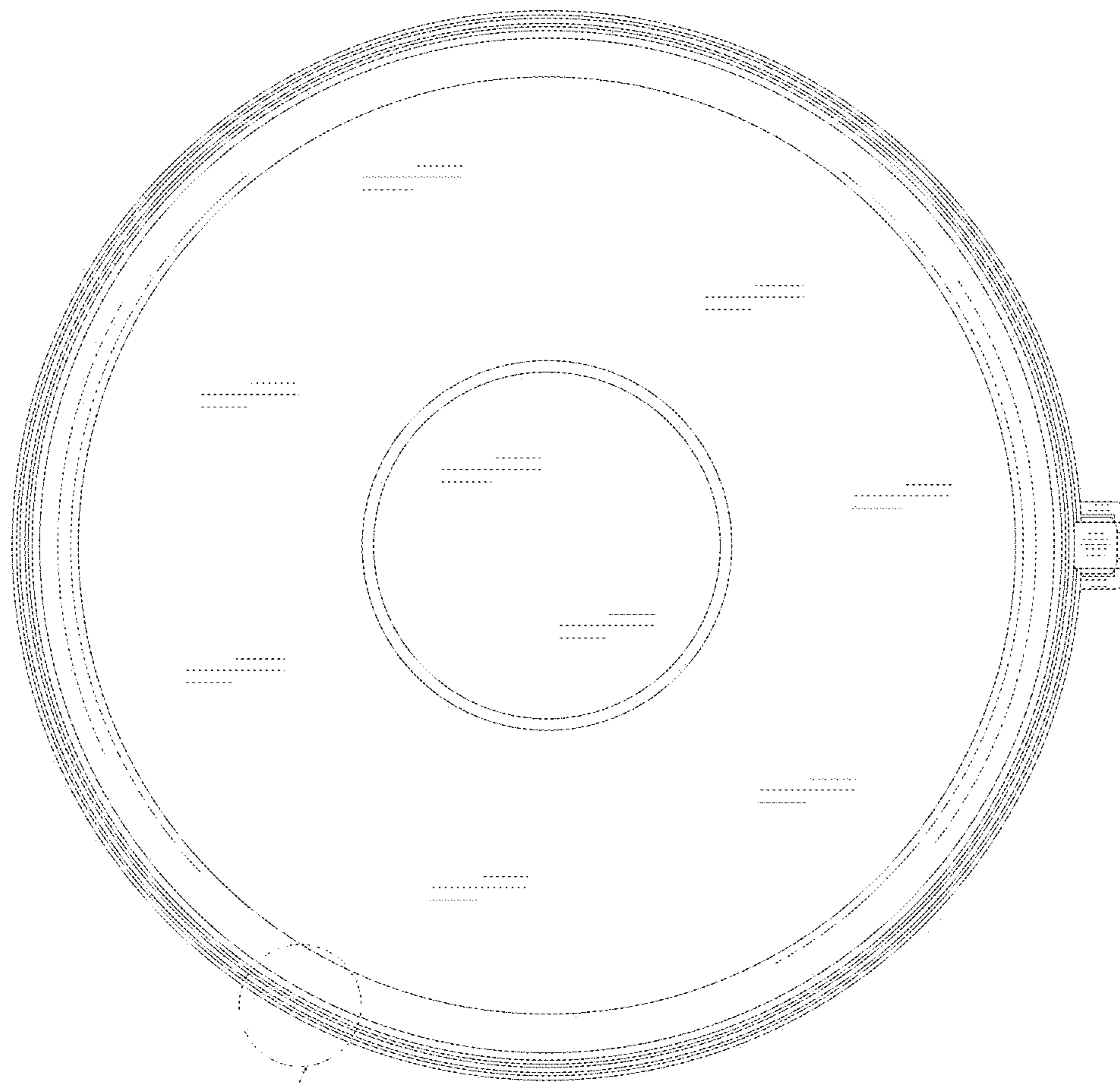
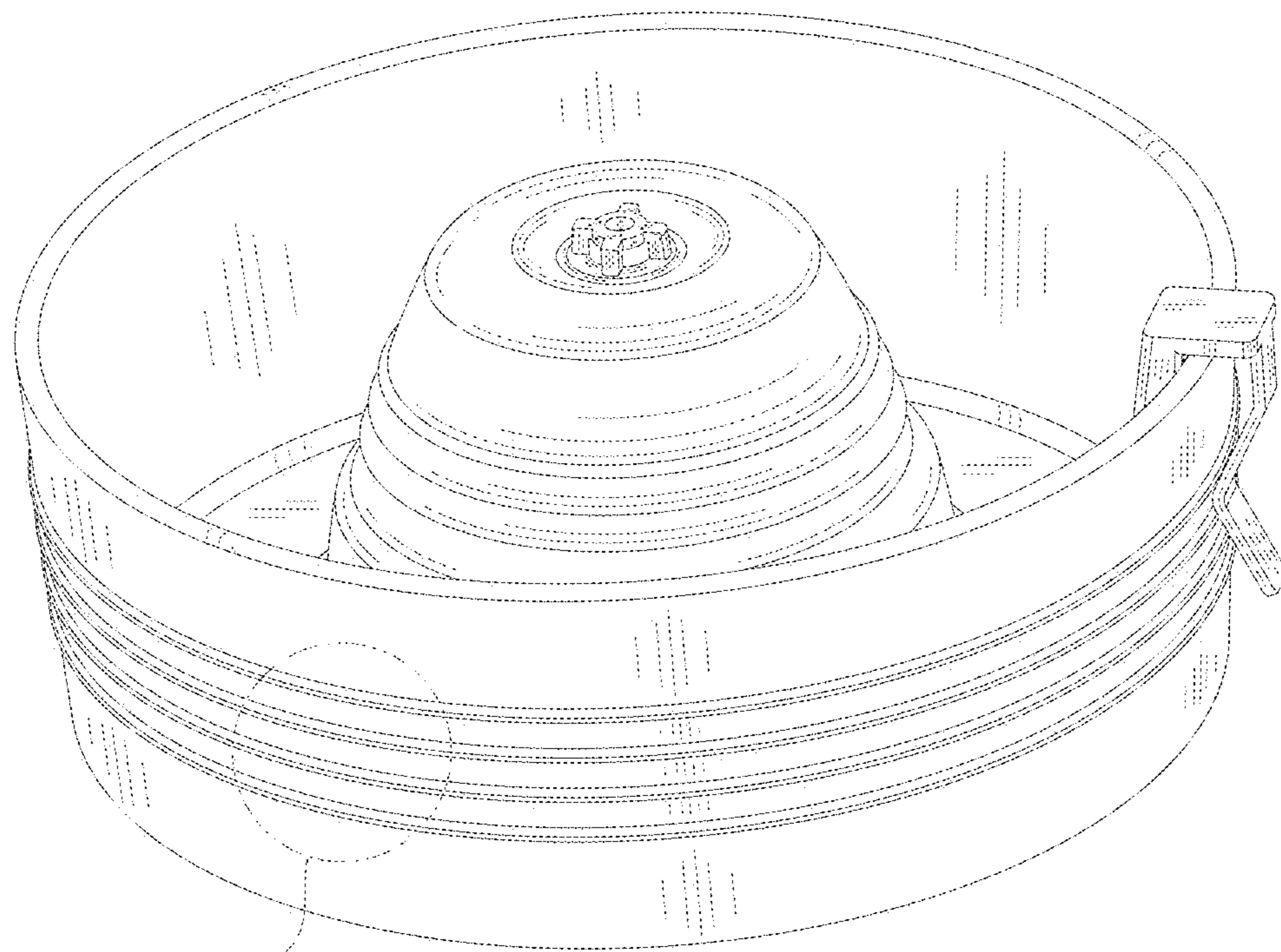


FIG. 5



11

FIG. 6



12

FIG. 7



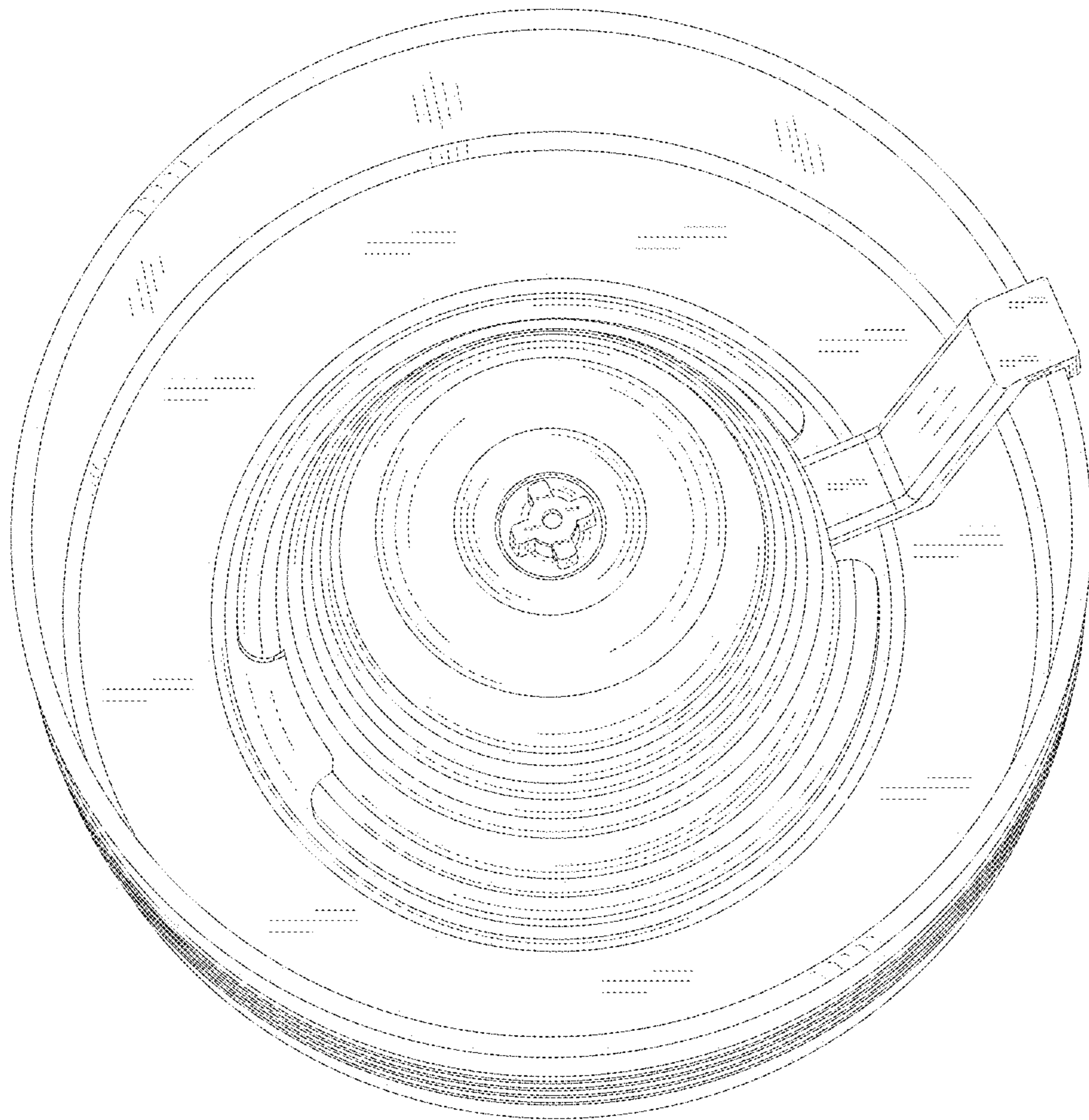


FIG. 8

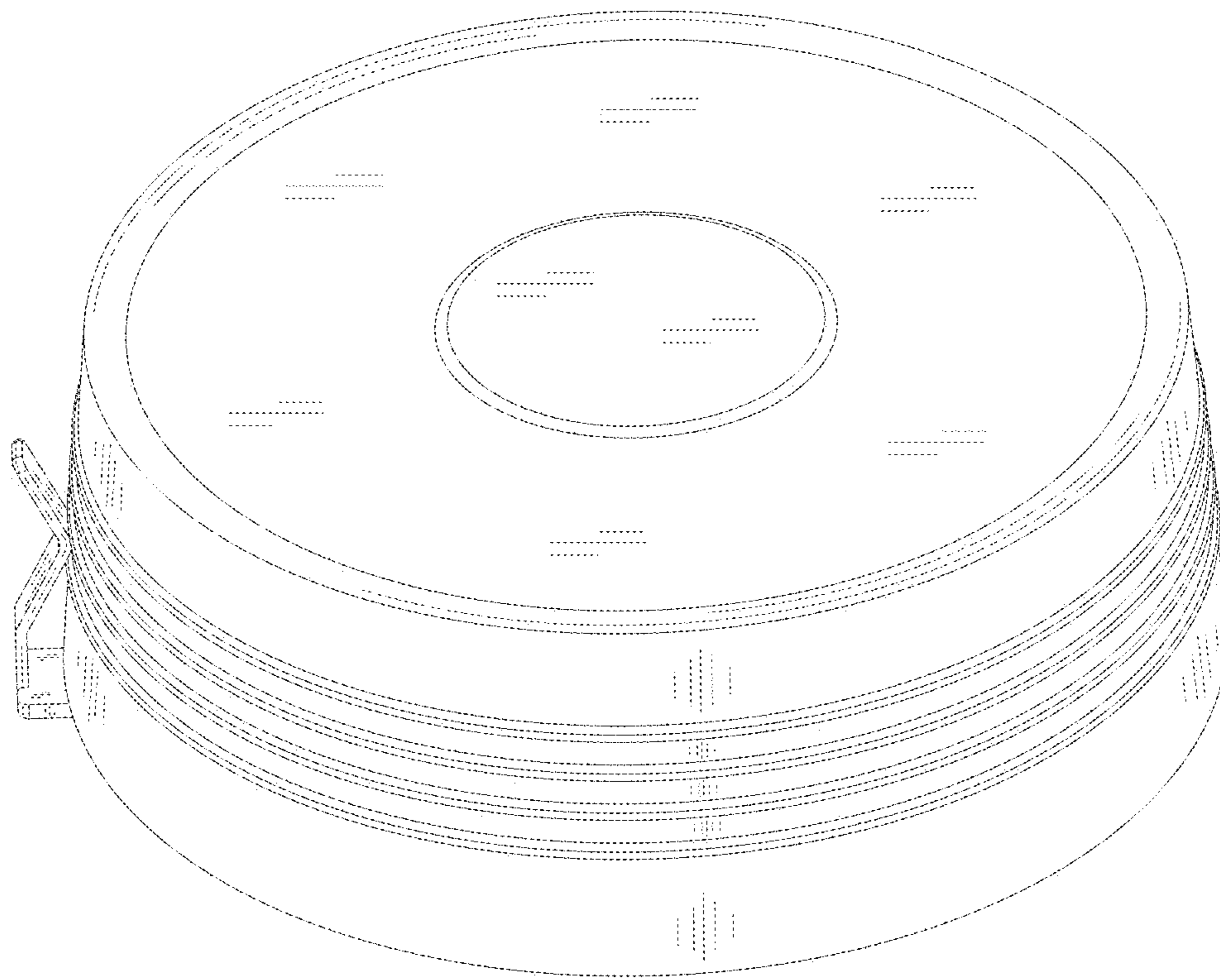


FIG. 9

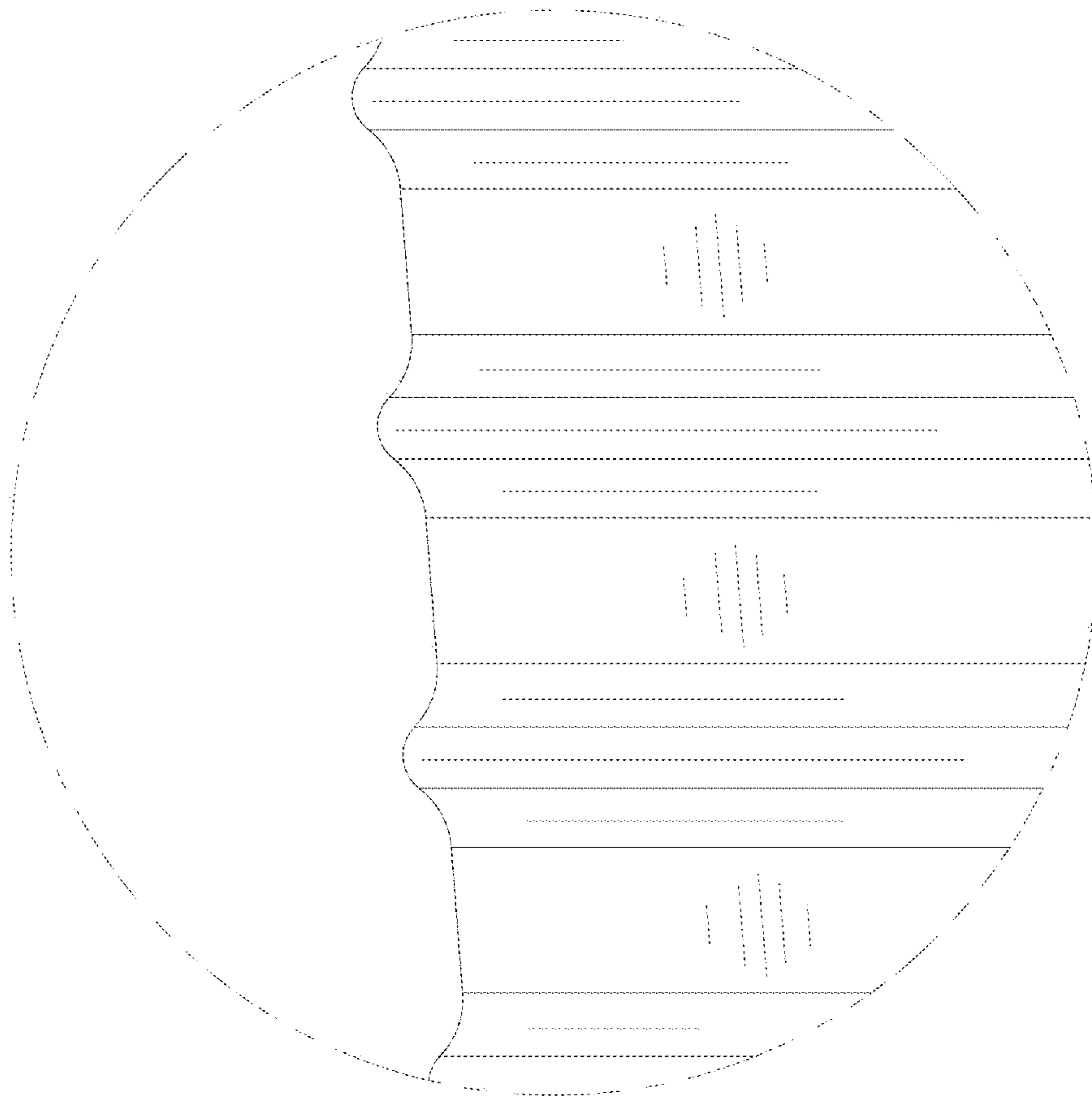


FIG. 10

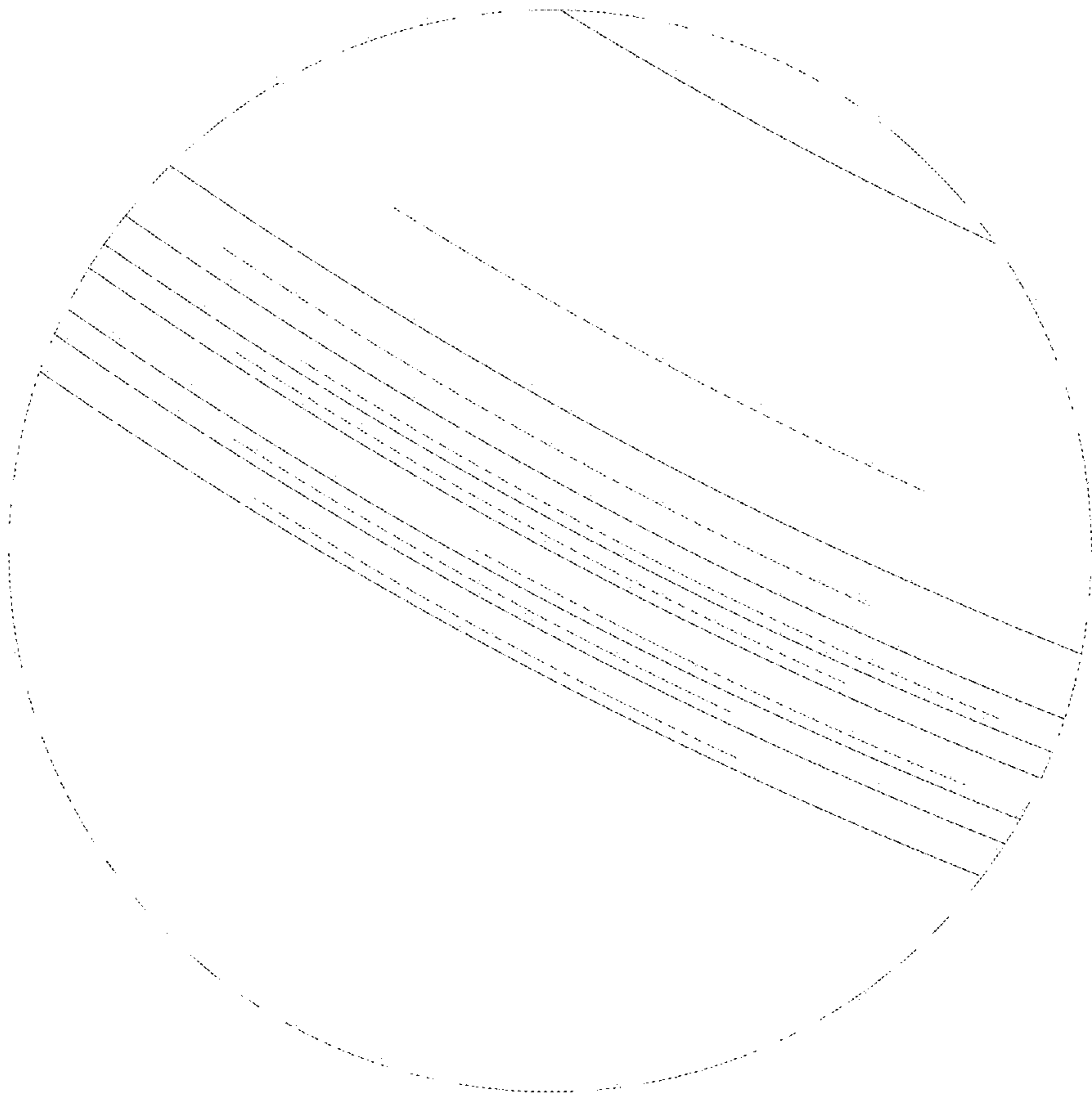


FIG. 11

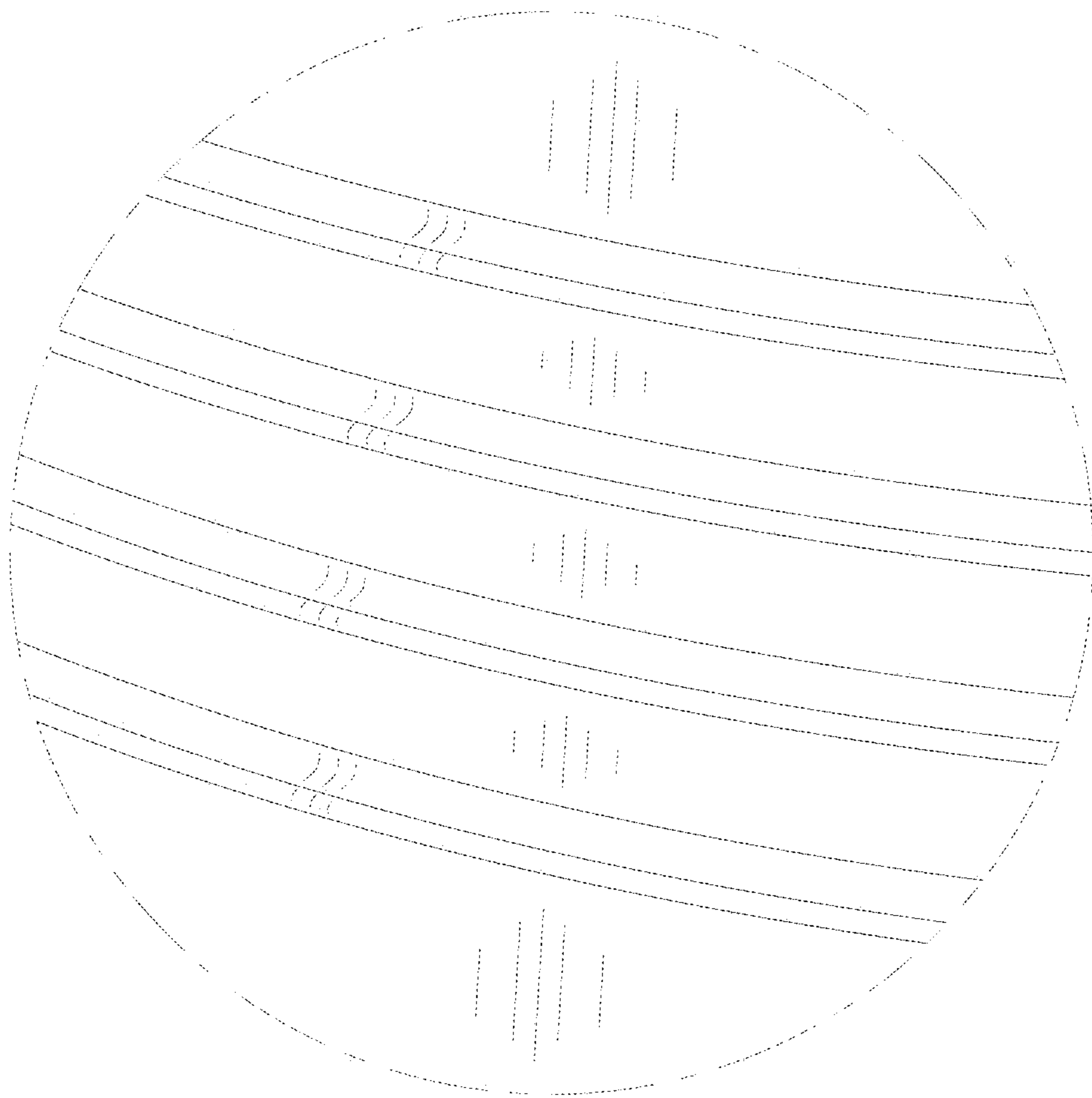


FIG. 12