



US00D949480S

(12) **United States Design Patent** (10) **Patent No.:** **US D949,480 S**
Lou (45) **Date of Patent:** **** Apr. 19, 2022**

(54) **HAIR CLIPPER**

D917,784 S * 4/2021 Zhang D28/53
D923,247 S * 6/2021 Jiang D28/53
D923,248 S * 6/2021 Jiang D28/53

(71) Applicant: **Changpei Lou**, Fenghua (CN)

(72) Inventor: **Changpei Lou**, Fenghua (CN)

(**) Term: **15 Years**

(21) Appl. No.: **29/752,071**

(22) Filed: **Sep. 24, 2020**

(51) **LOC (13) Cl.** **28-03**

(52) **U.S. Cl.**

USPC **D28/53**

(58) **Field of Classification Search**

USPC D28/49-54; D30/159

CPC B26B 19/00; B26B 19/04; B26B 19/06;

B26B 19/10; B26B 19/18; B26B 19/38

See application file for complete search history.

(56) **References Cited**

U.S. PATENT DOCUMENTS

D435,694 S * 12/2000 Leberz D28/53
D436,229 S * 1/2001 Eguchi D28/53
D464,466 S * 10/2002 Rizzuto, Jr. D28/53
D586,955 S * 2/2009 Eigenstetter D28/53
D600,409 S * 9/2009 Klein D28/53
D604,907 S * 11/2009 Emminger D28/53
D696,459 S * 12/2013 Chan D28/53
D853,646 S * 7/2019 Boulanger D28/53
D853,647 S * 7/2019 Boulanger D28/53
D897,603 S * 9/2020 Zhang D28/53
D910,918 S * 2/2021 Jiang D28/53
D910,919 S * 2/2021 Jiang D28/53

OTHER PUBLICATIONS

Cordless Hair Clippers, Tonglubao , first available on Nov. 6, 2021 on amazon.com, retrieved on Jan. 25, 2022, retrieved from the Internet URL: https://www.amazon.com/Rechargeable-Professional-Cordless-Clippers-Electric/dp/B09L4256YJ/ref=sr_1_omk_6?crd=2YWBHDS5PLODG&keywords=beard%2Btrimmer&qid=1643155765&sprefix=beard.*

* cited by examiner

Primary Examiner — Jennifer Rivard

Assistant Examiner — Alison M Ofstun

(74) *Attorney, Agent, or Firm* — ScienBiziP, P.C.

(57) **CLAIM**

The ornamental design for a hair clipper, as shown and described.

DESCRIPTION

FIG. 1 is a front perspective view of a hair clipper, showing my design.

FIG. 2 is a rear perspective view thereof.

FIG. 3 is a front elevation view thereof.

FIG. 4 is a rear elevation view thereof.

FIG. 5 is a left side elevation thereof.

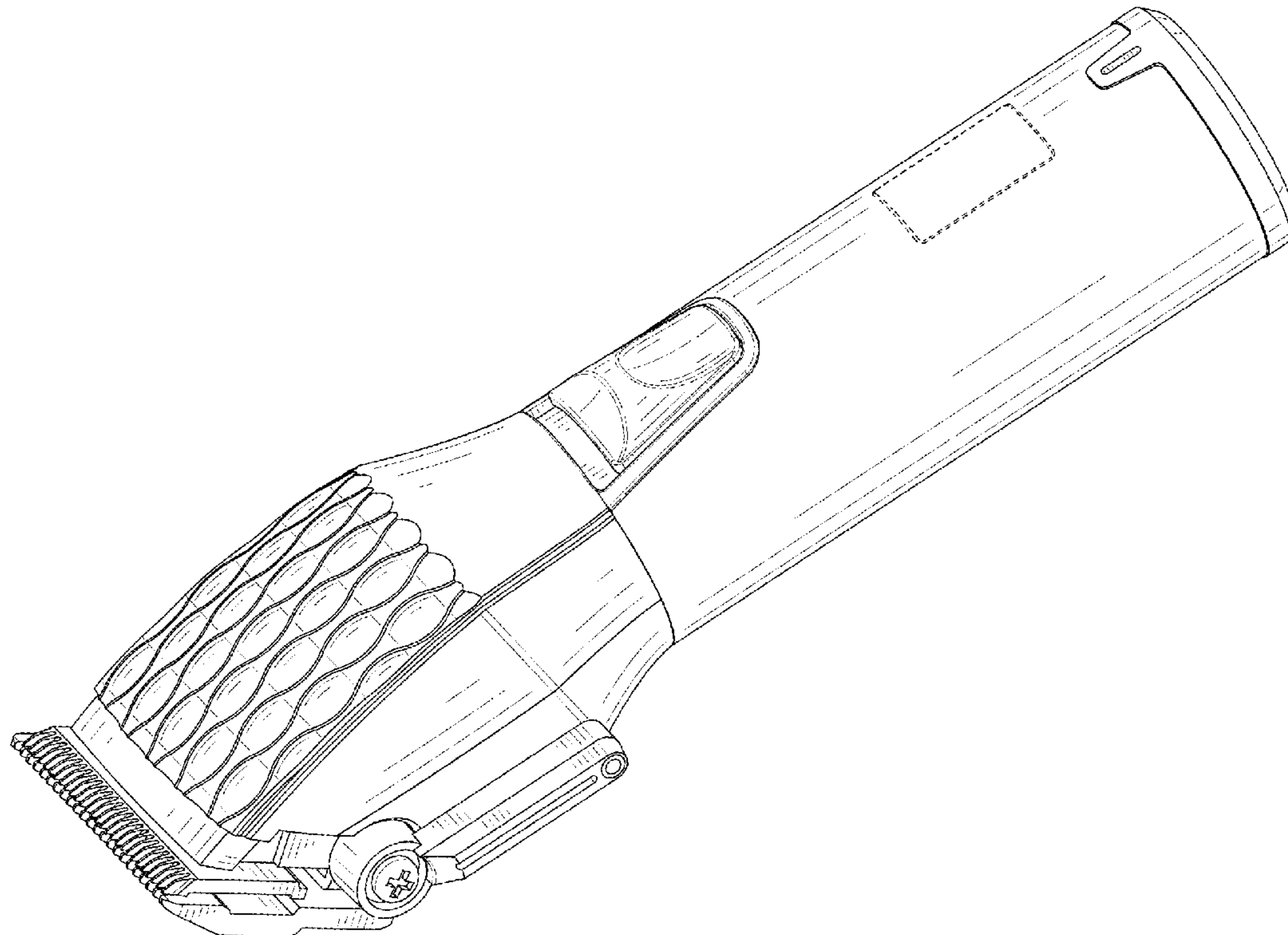
FIG. 6 is a right side elevation thereof.

FIG. 7 is a top plan view thereof; and,

FIG. 8 is a bottom plan view thereof.

The broken lines illustrate portions of the article which form no part of the claimed design.

1 Claim, 8 Drawing Sheets



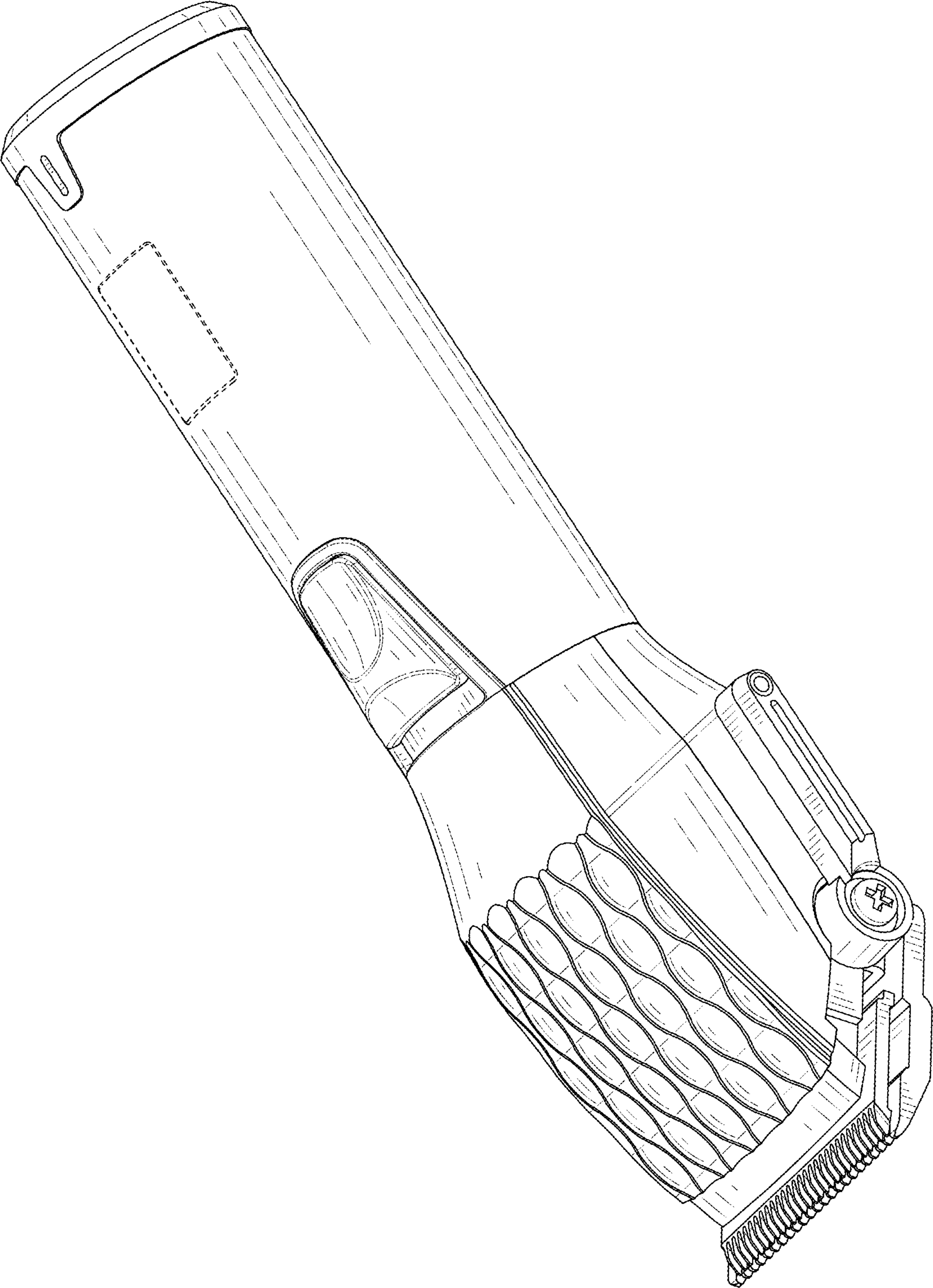


FIG. 1

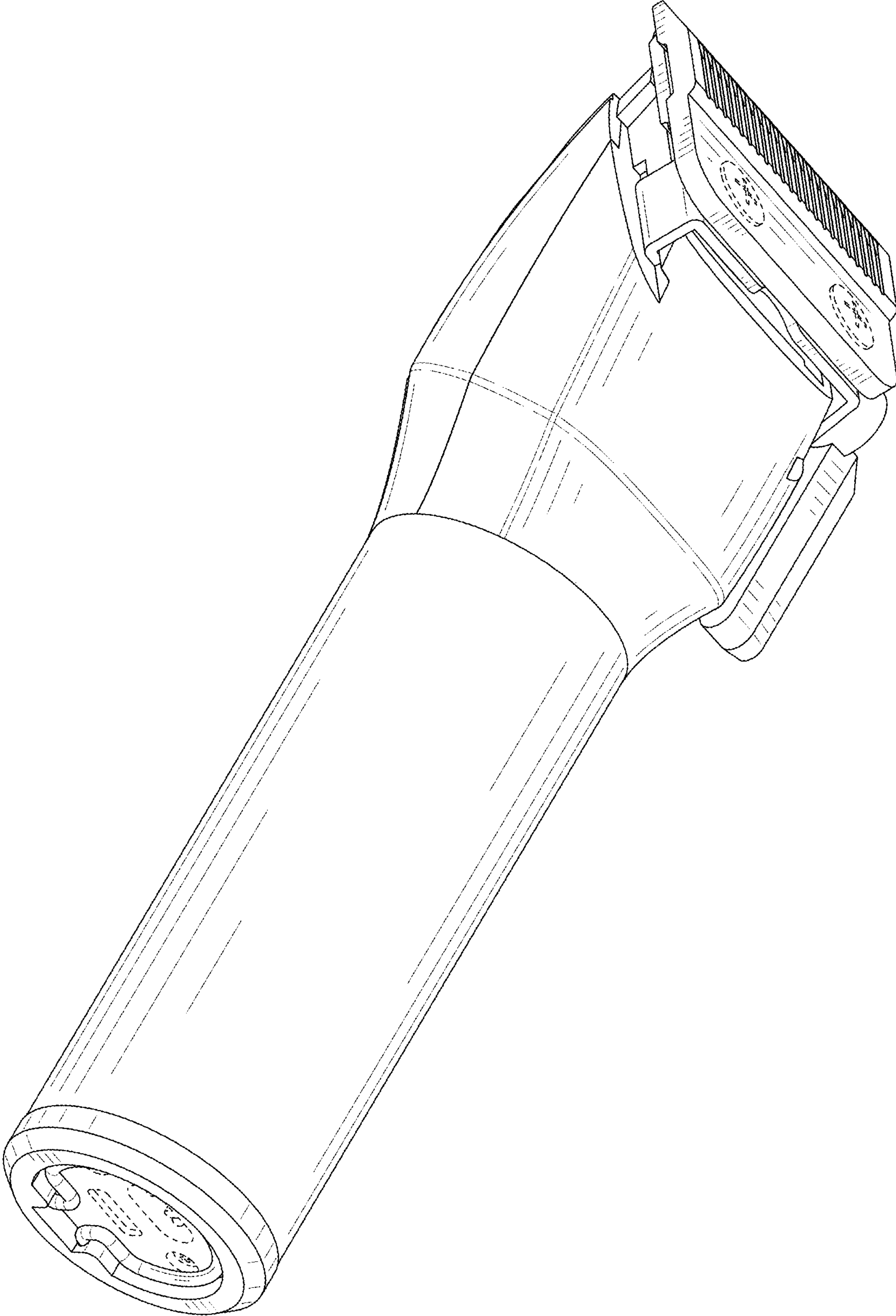


FIG. 2

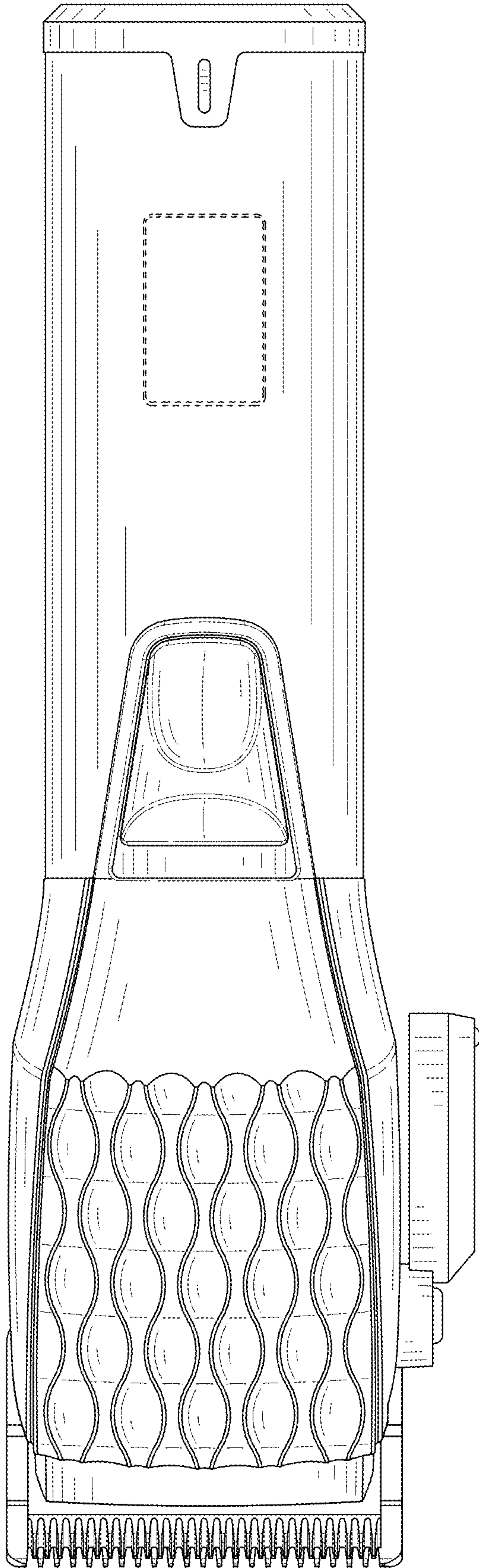


FIG. 3

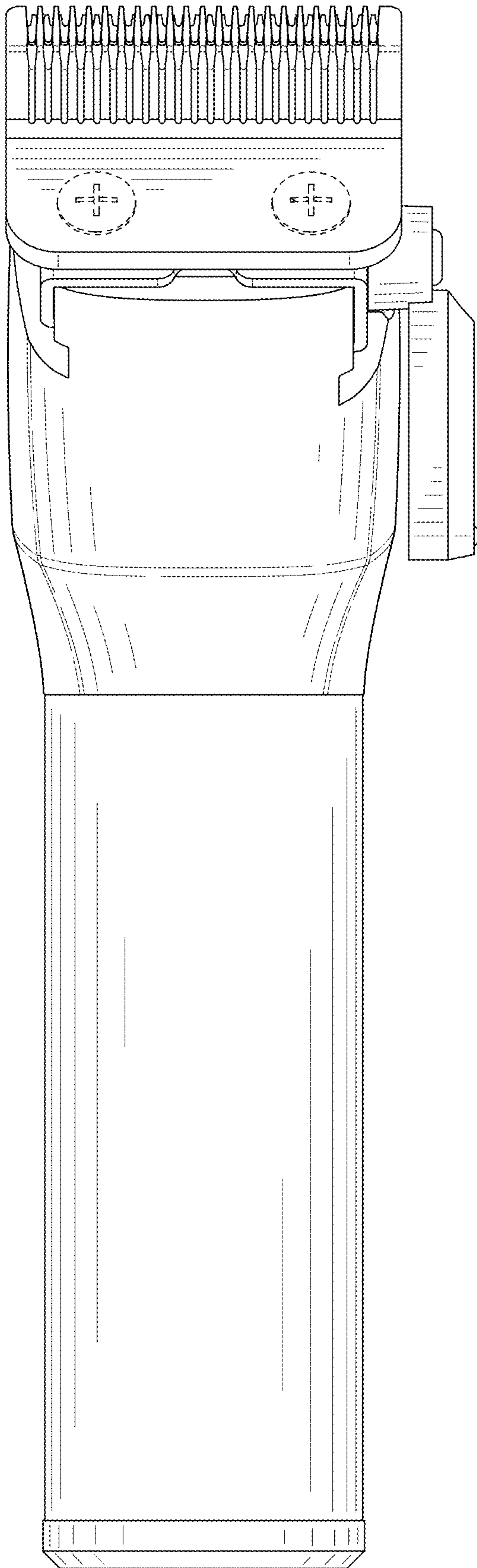


FIG. 4

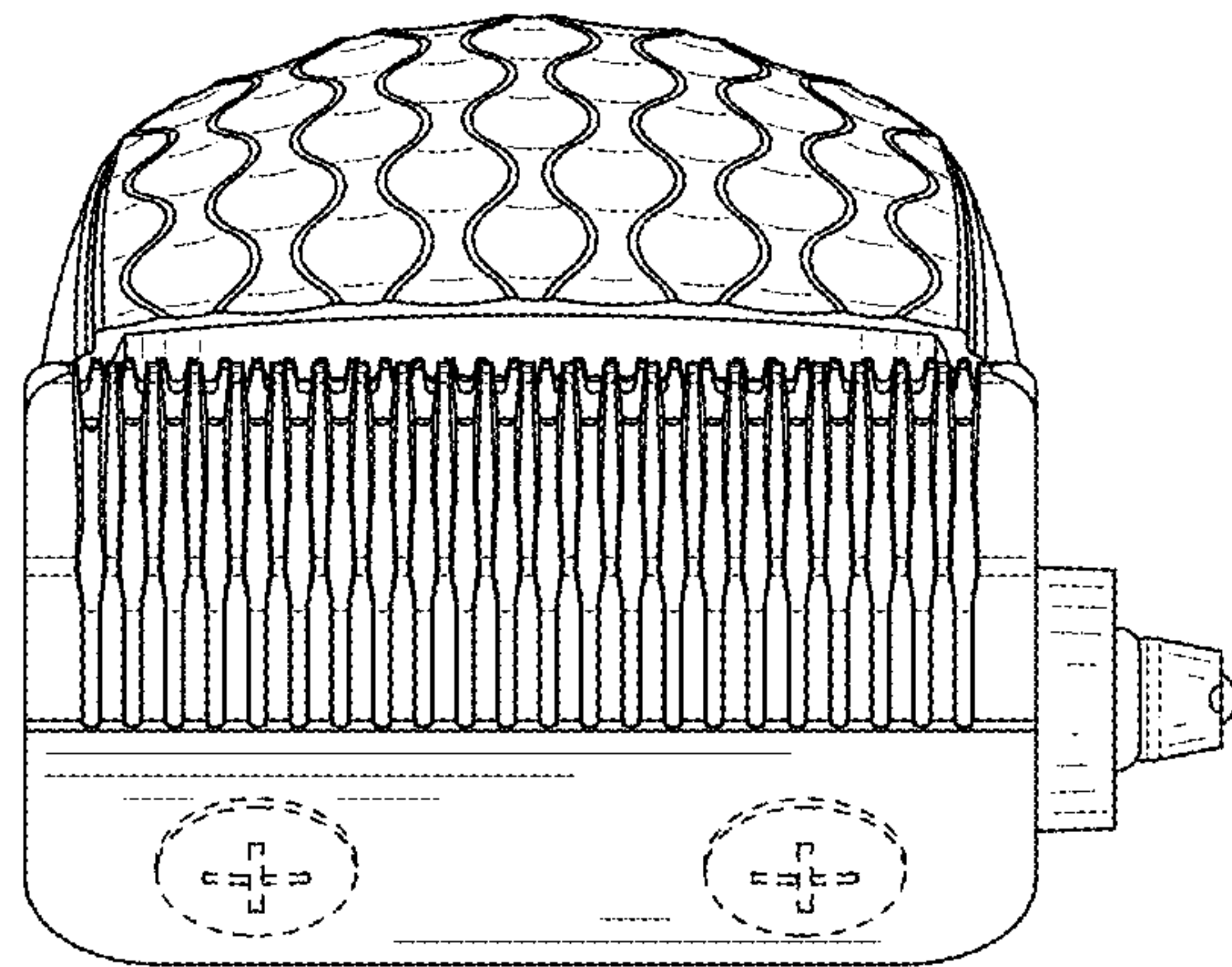


FIG. 5

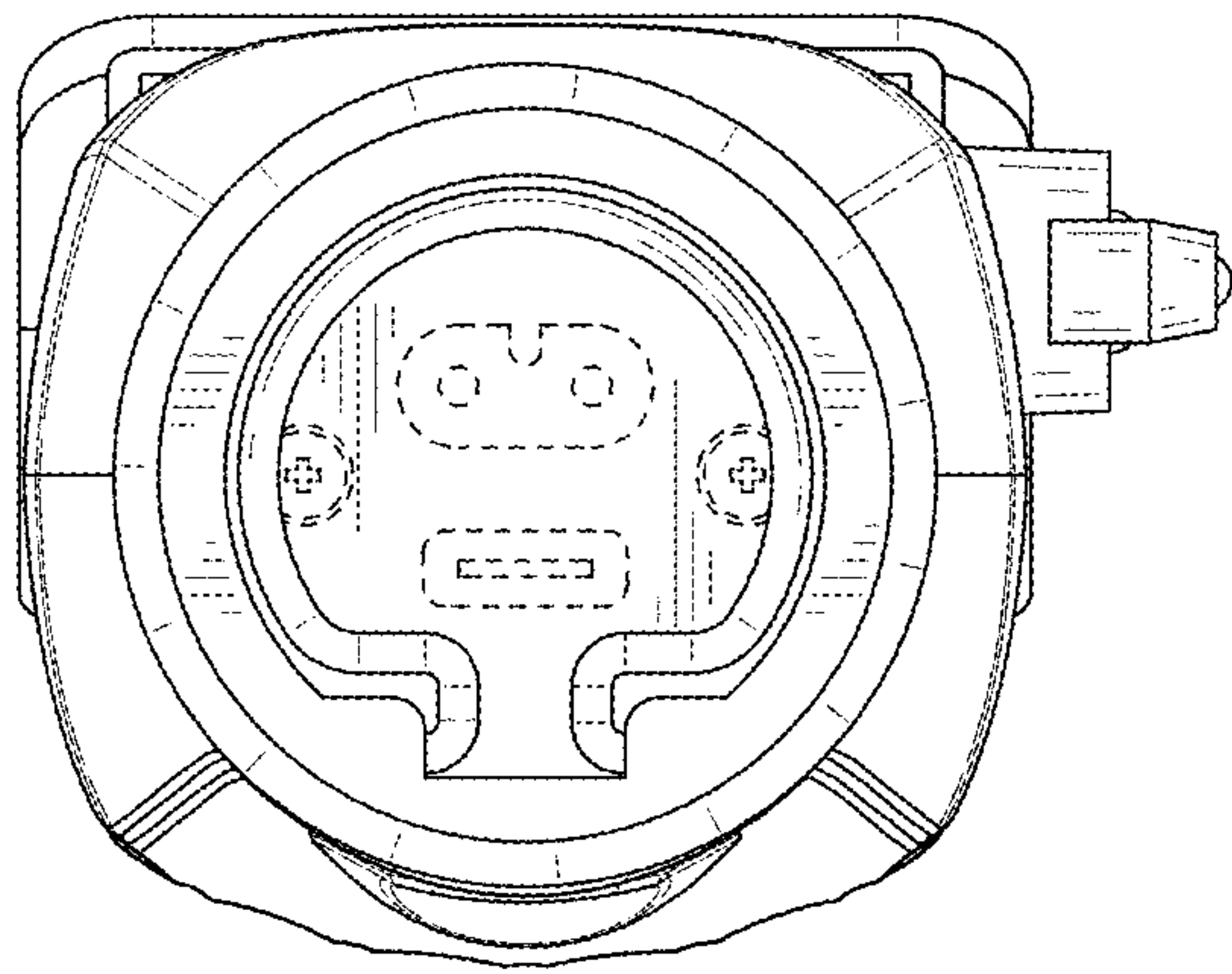


FIG. 6

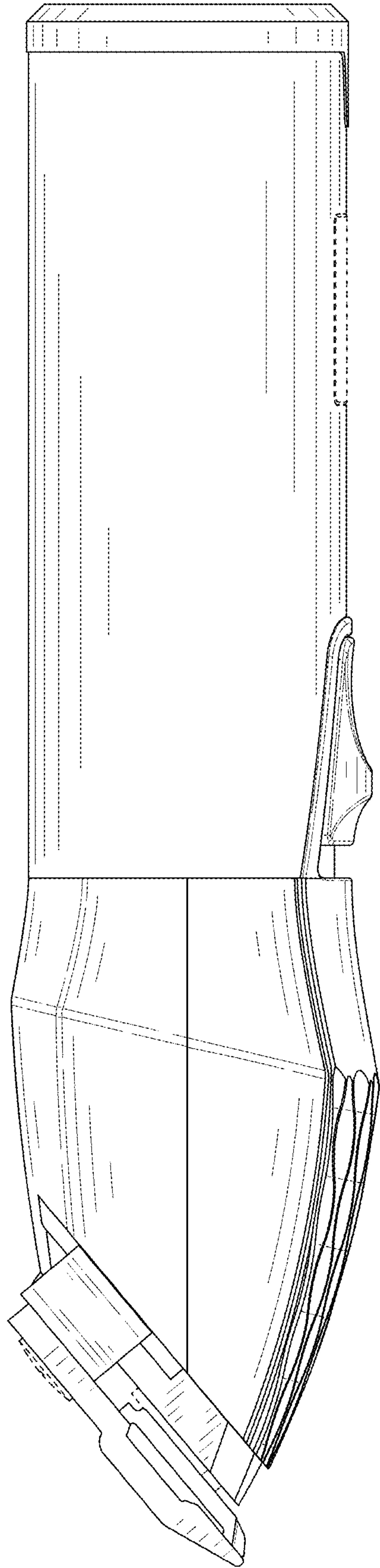


FIG. 7

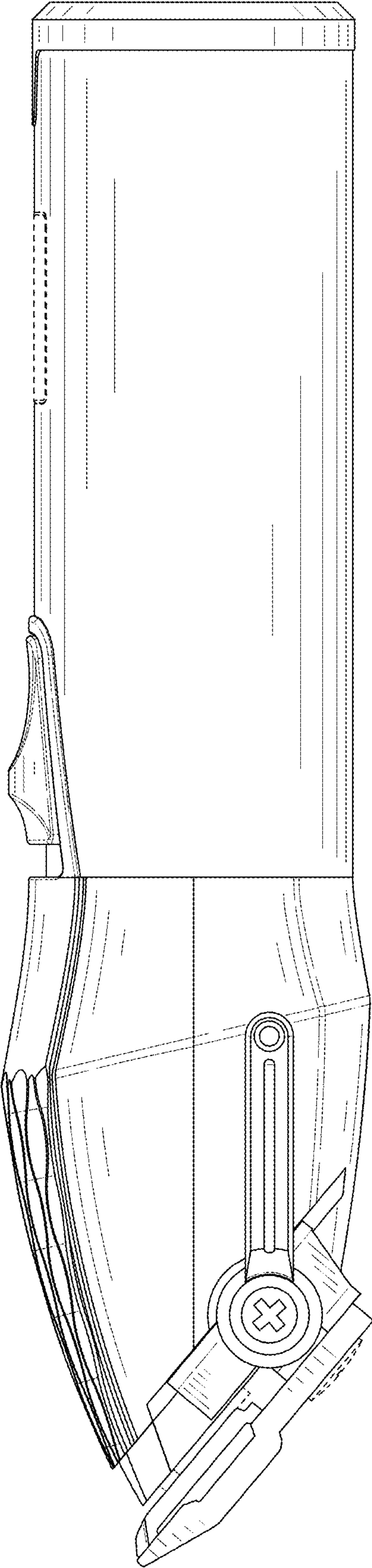


FIG. 8