



US00D949478S

(12) **United States Design Patent** (10) **Patent No.:** **US D949,478 S**
McGarry et al. (45) **Date of Patent:** **** Apr. 19, 2022**

(54) **SHAVING RAZOR HANDLE**
(71) Applicant: **The Gillette Company LLC**, Boston, MA (US)
(72) Inventors: **Rory Frederick Wellington McGarry**, Boston, MA (US); **Brian Patrick Watson**, Marshfield, OH (US); **Christopher Ramm**, North Attleboro, MA (US); **Oliver Felix Grabes**, Frankfurt (DE)
(73) Assignee: **The Gillette Company LLC**, Boston, MA (US)
(**) Term: **15 Years**
(21) Appl. No.: **29/730,919**
(22) Filed: **Apr. 9, 2020**
(51) **LOC (13) Cl.** **28-03**
(52) **U.S. Cl.**
USPC **D28/48**
(58) **Field of Classification Search**
USPC D28/45-51, 99; D24/146, 147
CPC B26B 21/00; B26B 21/08; B26B 21/14;
B26B 21/40; B26B 21/44; B26B 21/52;
B26B 21/528
See application file for complete search history.

D518,381 S 4/2006 Egawa
D562,137 S 2/2008 Florio
D568,534 S 5/2008 Micinilio et al.
D568,539 S 5/2008 Micinilio et al.
D591,451 S 4/2009 Micinilio et al.
D600,408 S 9/2009 Micinilio et al.
D604,906 S 11/2009 Stowers et al.

(Continued)

FOREIGN PATENT DOCUMENTS

WO WO-2019190911 A1 * 10/2019 B26B 21/48

OTHER PUBLICATIONS

Introducing_ GilletteLabs with Exfoliating Bar—YouTube, published on Nov. 22, 2021, retrieved on Dec. 16, 2021, retrieved from the Internet URL: <https://www.youtube.com/watch?v=eDtPFxQINUQ>.*

(Continued)

Primary Examiner — Jennifer Rivard
Assistant Examiner — Alison M Ofstun
(74) *Attorney, Agent, or Firm* — John M. Lipchitz

(57) **CLAIM**

The ornamental design for a shaving razor handle, as shown and described.

DESCRIPTION

FIG. 1 is a first perspective view of a shaving razor handle showing our new design;
FIG. 2 is a front view thereof;
FIG. 3 is a rear view thereof;
FIG. 4 is a right view thereof;
FIG. 5 is a left view thereof;
FIG. 6 is a top view thereof;
FIG. 7 is a bottom view thereof; and,
FIG. 8 is a second perspective view thereof.
The broken lines are directed to the environmental subject matter and form no part of the claimed design.

1 Claim, 5 Drawing Sheets

(56) **References Cited**
U.S. PATENT DOCUMENTS
D254,692 S 4/1980 Del
D255,654 S 7/1980 Goss
D285,655 S 9/1986 MacLaughlin et al.
D430,793 S 9/2000 Baron
D437,548 S 2/2001 Desgrippes et al.
D463,271 S 9/2002 Miranda
D472,152 S 3/2003 Joubert
6,792,682 B2 9/2004 Follo
6,868,610 B2 3/2005 Brandt et al.
6,928,738 B2 8/2005 Segrea



(56)

References Cited

U.S. PATENT DOCUMENTS

D615,404 S 5/2010 Pitzer et al.
 D616,607 S 5/2010 Ramm et al.
 D633,254 S 2/2011 Witkus
 D636,531 S 4/2011 Wilson
 D644,532 S 9/2011 Hodges et al.
 D649,712 S 11/2011 Pan et al.
 D652,990 S 1/2012 Strickland
 D652,991 S 1/2012 Cavazos
 D655,134 S 3/2012 Gilbert
 D655,449 S 3/2012 Pan et al.
 D656,676 S 3/2012 Cavazos
 D659,285 S 5/2012 Lukan et al.
 D659,286 S 5/2012 Lukan et al.
 D660,516 S 5/2012 Christie
 D661,425 S 6/2012 Cataudella et al.
 D661,426 S 6/2012 Wain et al.
 D675,378 S 1/2013 Boulanger
 8,448,339 B2 5/2013 Walker, Jr.
 D684,060 S 6/2013 Hodges
 D699,395 S * 2/2014 Bae D28/48
 D700,995 S 3/2014 Lee
 D700,996 S 3/2014 Lee
 8,782,904 B2 7/2014 Wain
 D714,644 S 10/2014 Wagner et al.
 D724,269 S 3/2015 Szczepanowski
 D724,270 S 3/2015 Sims
 D725,968 S 4/2015 George
 D729,585 S 5/2015 Boroski
 D779,124 S 2/2017 Houyoux
 D798,438 S 9/2017 Engelhard et al.
 D802,842 S 11/2017 Ngo
 9,908,250 B2 3/2018 Hodgson et al.
 9,912,087 B2 3/2018 Broemse et al.
 D816,271 S 4/2018 Huang
 D818,196 S 5/2018 Szymanski et al.
 D822,901 S 7/2018 Shin
 D827,813 S 9/2018 Copland et al.
 D828,625 S 9/2018 Forti et al.
 D837,452 S 1/2019 Goeder
 D839,477 S 1/2019 Hodgson
 D842,543 S 3/2019 Ramm et al.

D842,544 S 3/2019 Ramm
 D846,387 S 4/2019 Staab
 D855,253 S 7/2019 Han
 D879,375 S * 3/2020 Go D28/48
 D880,063 S 3/2020 Ramm
 D882,873 S 4/2020 Goeder et al.
 D887,642 S 6/2020 Hodgson
 D899,689 S * 10/2020 Kong D28/48
 D902,485 S 11/2020 Goeder et al.
 D912,326 S 3/2021 Goeder et al.
 D914,289 S 3/2021 Goeder et al.
 D929,040 S * 8/2021 Shin D28/48
 D932,906 S 10/2021 Schulz
 2004/0226178 A1 * 11/2004 Lukan B26B 21/40
 30/526
 2008/0101850 A1 5/2008 Wojcik et al.
 2013/0291390 A1 * 11/2013 Gajria B26B 21/52
 30/526
 2017/0112002 A1 4/2017 Behrendt
 2017/0264036 A1 9/2017 Broemse
 2017/0374710 A1 12/2017 Heubach et al.
 2018/0159252 A1 6/2018 Broemse et al.
 2018/0222070 A1 8/2018 Burrowes et al.
 2018/0326605 A1 11/2018 Khubani et al.
 2018/0370052 A1 * 12/2018 Zaremba B26B 21/521
 2019/0299459 A1 10/2019 Patel
 2019/0299477 A1 * 10/2019 Johnson B21D 53/70
 2020/0178669 A1 * 6/2020 Johnson B26B 21/52

OTHER PUBLICATIONS

All Office Actions; U.S. Appl. No. 29/642,527.
 All Office Actions; U.S. Appl. No. 29/642,528.
 All Office Actions; U.S. Appl. No. 29/642,529.
 All Office Actions; U.S. Appl. No. 29/729,134.
 All Office Actions; U.S. Appl. No. 29/735,651.
 All Office Actions; U.S. Appl. No. 29/741,898.
 All Office Actions; U.S. Appl. No. 29/754,594.
 All Office Actions; U.S. Appl. No. 29/768,838.
 All Office Actions; U.S. Appl. No. 29/768,839.
 All Office Actions; U.S. Appl. No. 29/642,548, filed Mar. 30, 2018.
 All Office Actions; U.S. Appl. No. 29/779,865, filed Apr. 21, 2021.

* cited by examiner

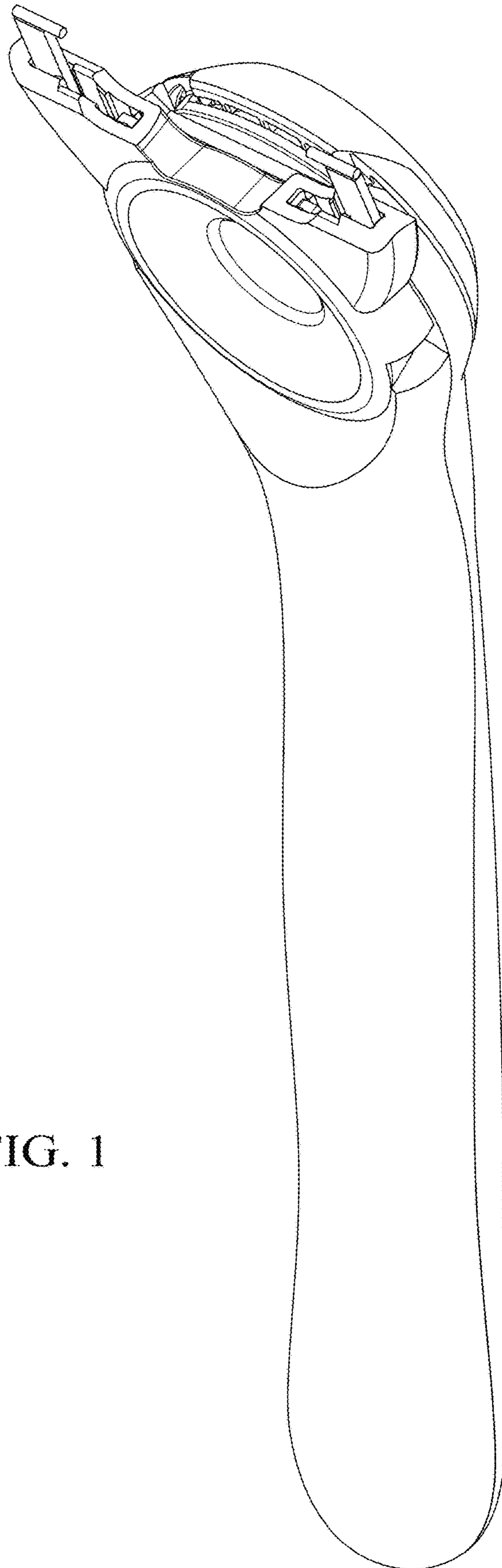


FIG. 1

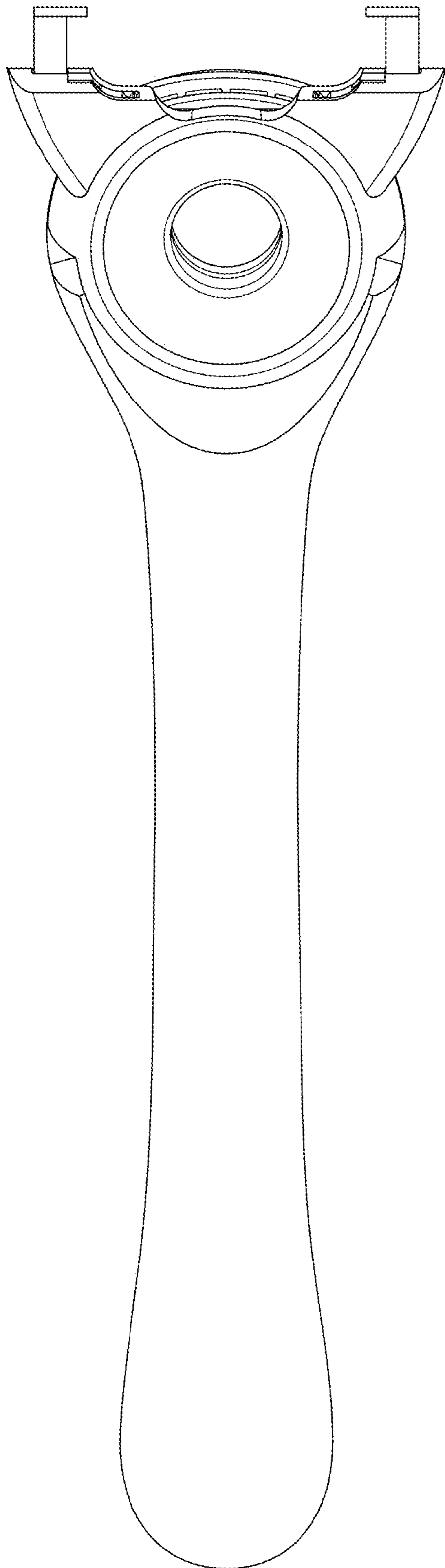


FIG. 2

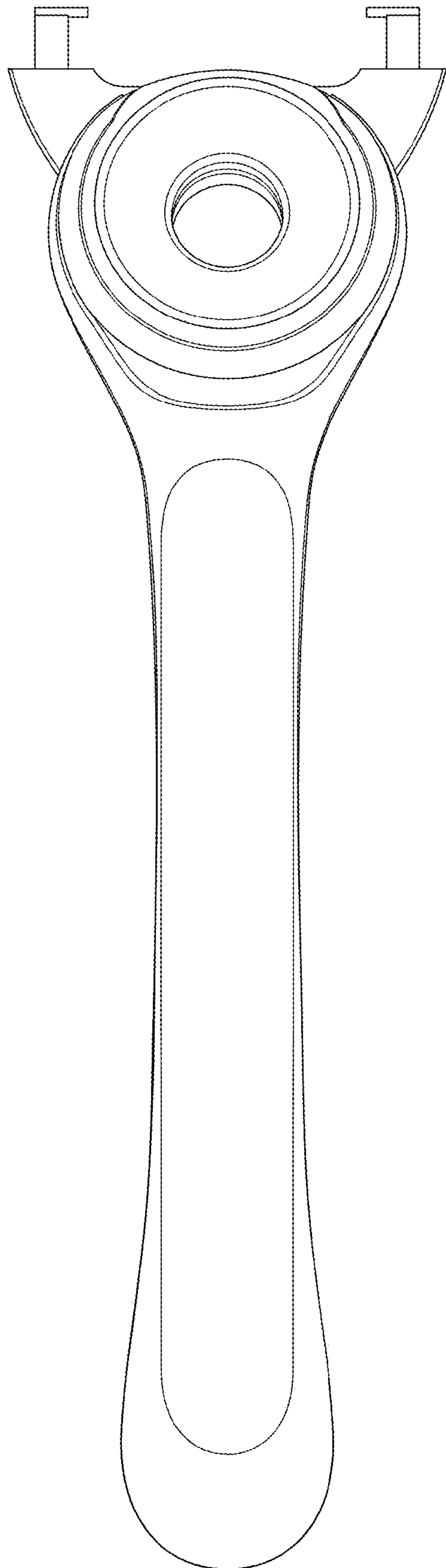


FIG. 3

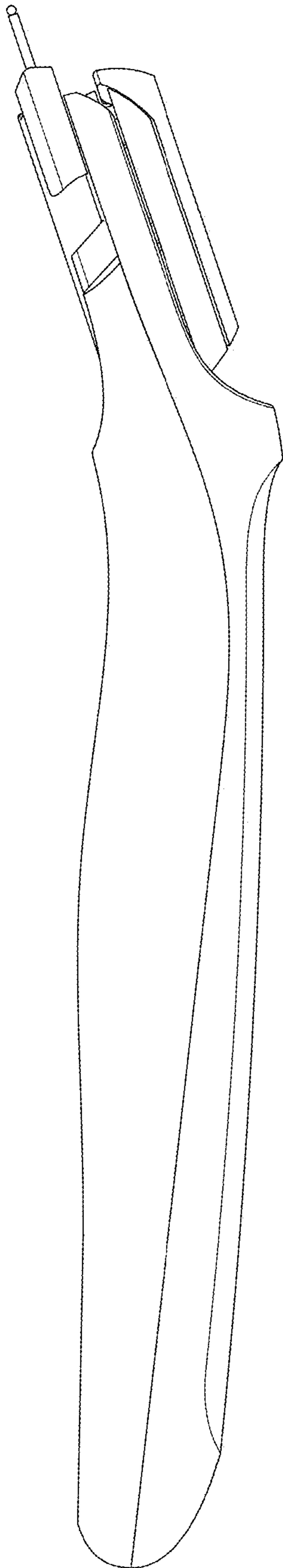


FIG. 4

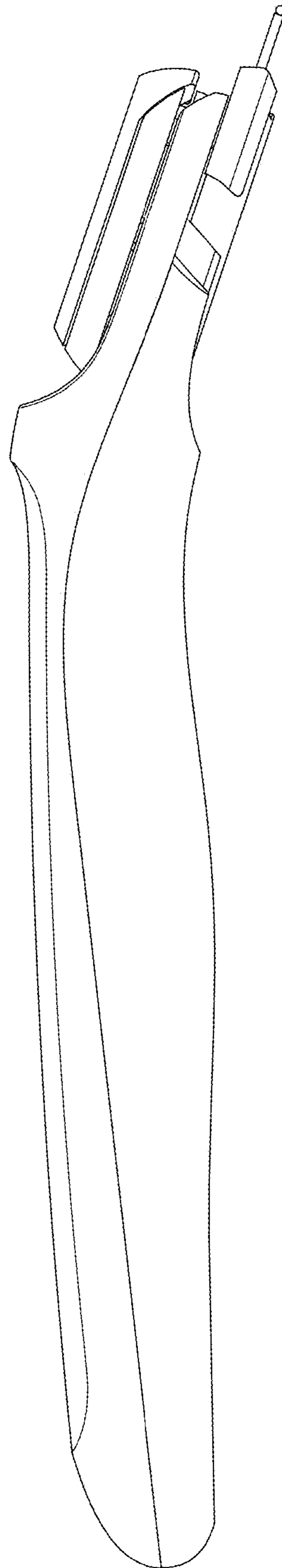


FIG. 5

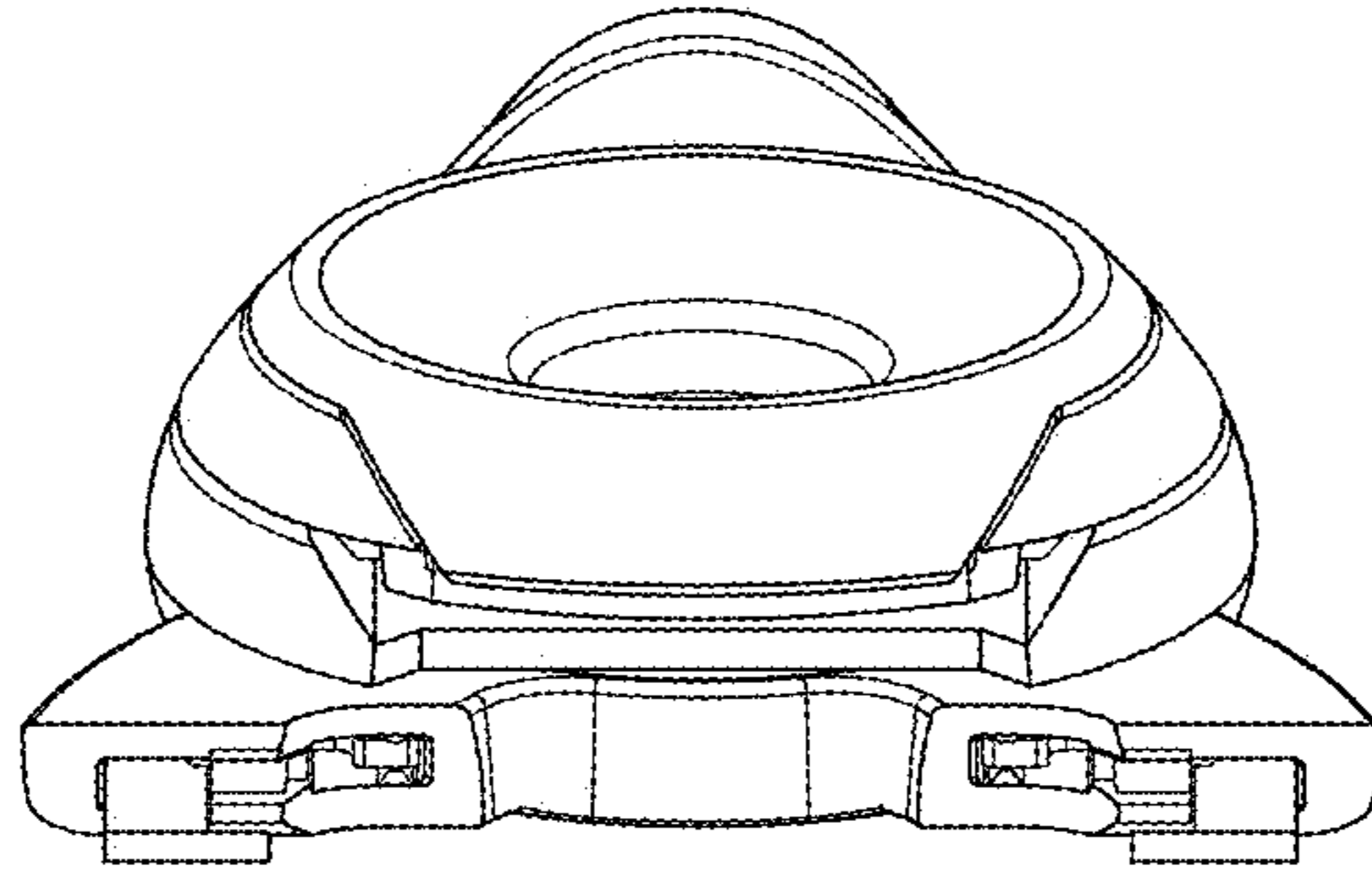


FIG. 6

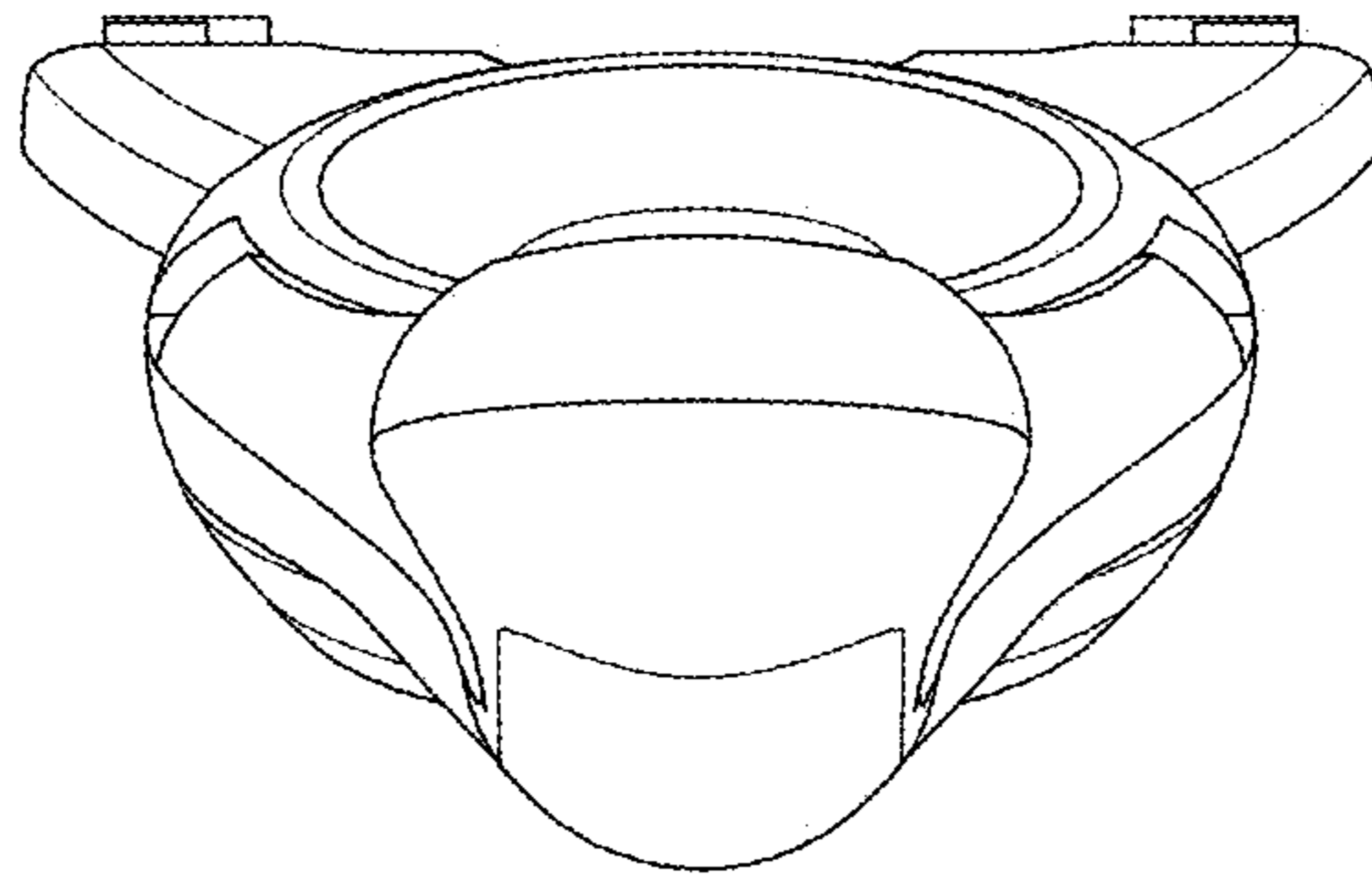


FIG. 7

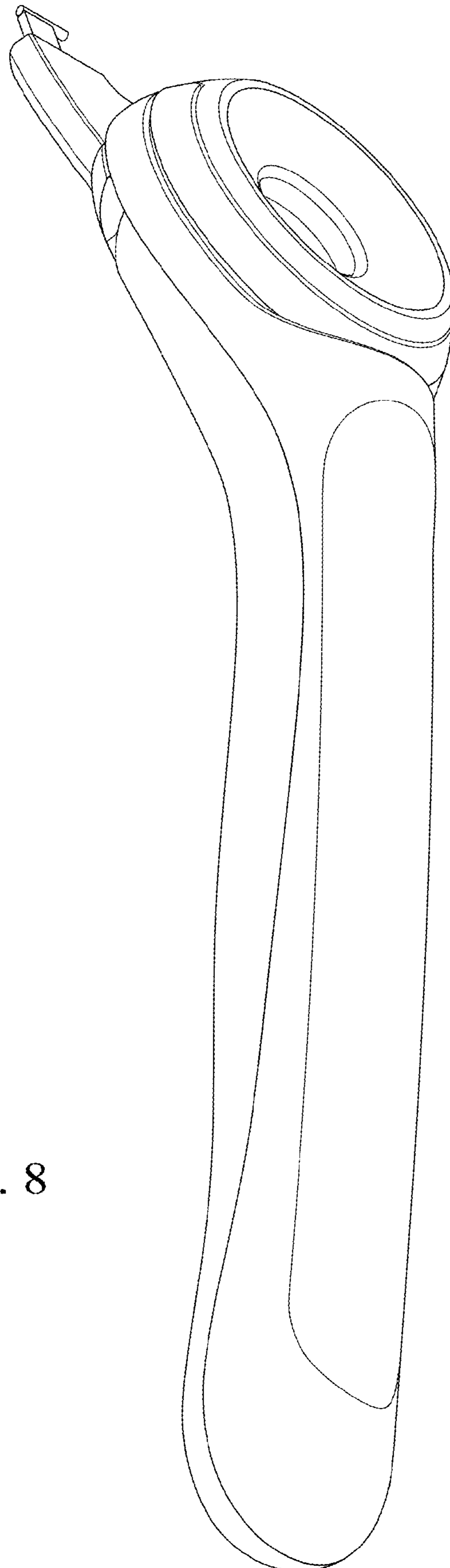


FIG. 8