

US00D949477S

(12) **United States Design Patent**
Tan

(10) **Patent No.:** **US D949,477 S**

(45) **Date of Patent:** **** Apr. 19, 2022**

(54) **HAIR CLIP**

(71) Applicant: **Rong Zhang**, Wuhan (CN)

(72) Inventor: **Nian Tan**, Honghu (CN)

(**) Term: **15 Years**

(21) Appl. No.: **29/781,555**

(22) Filed: **Apr. 30, 2021**

(51) **LOC (13) Cl.** **28-03**

(52) **U.S. Cl.**
USPC **D28/40**

(58) **Field of Classification Search**
USPC D28/39, 40, 42, 43
CPC . A45D 8/00; A45D 8/002; A45D 8/14; A45D
8/16; A45D 8/18; A45D 8/20; A45D
8/22; A45D 8/24; A45D 8/30
See application file for complete search history.

(56) **References Cited**

U.S. PATENT DOCUMENTS

D381,119 S * 7/1997 Chang D28/40
D381,767 S * 7/1997 Chang D28/40
D483,151 S * 12/2003 Walker D28/40

D488,258 S * 4/2004 Walker D28/40
D684,317 S * 6/2013 Batres D28/40
D712,093 S * 8/2014 Hsu D28/40
D719,297 S 12/2014 Hsu
D769,527 S 10/2016 Coral
D814,112 S 3/2018 Hsu
D881,748 S 4/2020 Weiser
D939,140 S * 12/2021 Luo D28/40

* cited by examiner

Primary Examiner — Zenia I Bennett

(74) *Attorney, Agent, or Firm* — Rumit Ranjit Kanakia

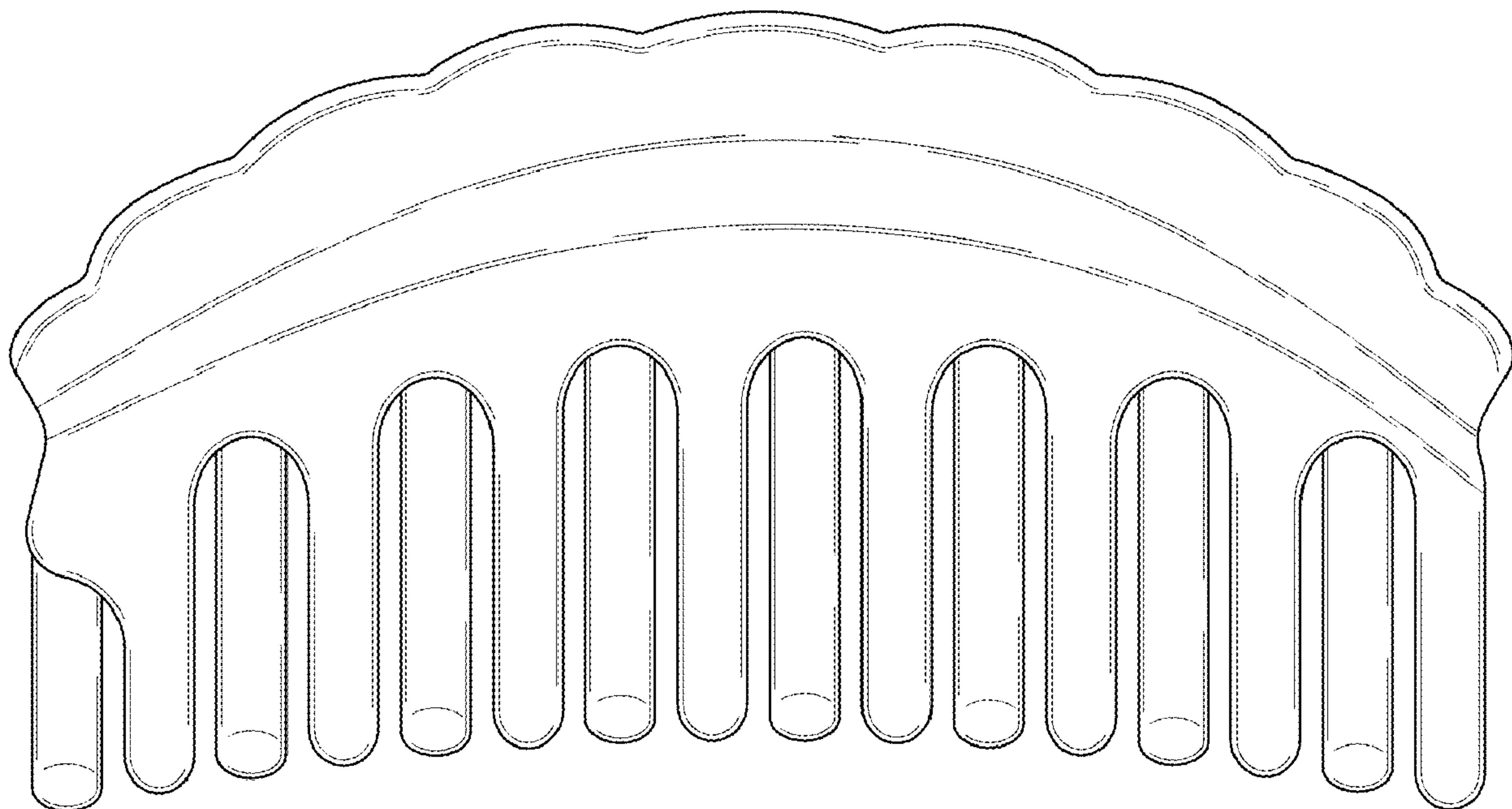
(57) **CLAIM**

I claim the ornamental design for a hair clip, as shown and described.

DESCRIPTION

FIG. 1 is a perspective view of a hair clip showing my new design;
FIG. 2 is a top view thereof;
FIG. 3 is a bottom view thereof;
FIG. 4 is a front view thereof;
FIG. 5 is a back view thereof;
FIG. 6 is a right-side view thereof;
FIG. 7 is a left-side view thereof; and,
FIG. 8 is an exposed view thereof.

1 Claim, 8 Drawing Sheets



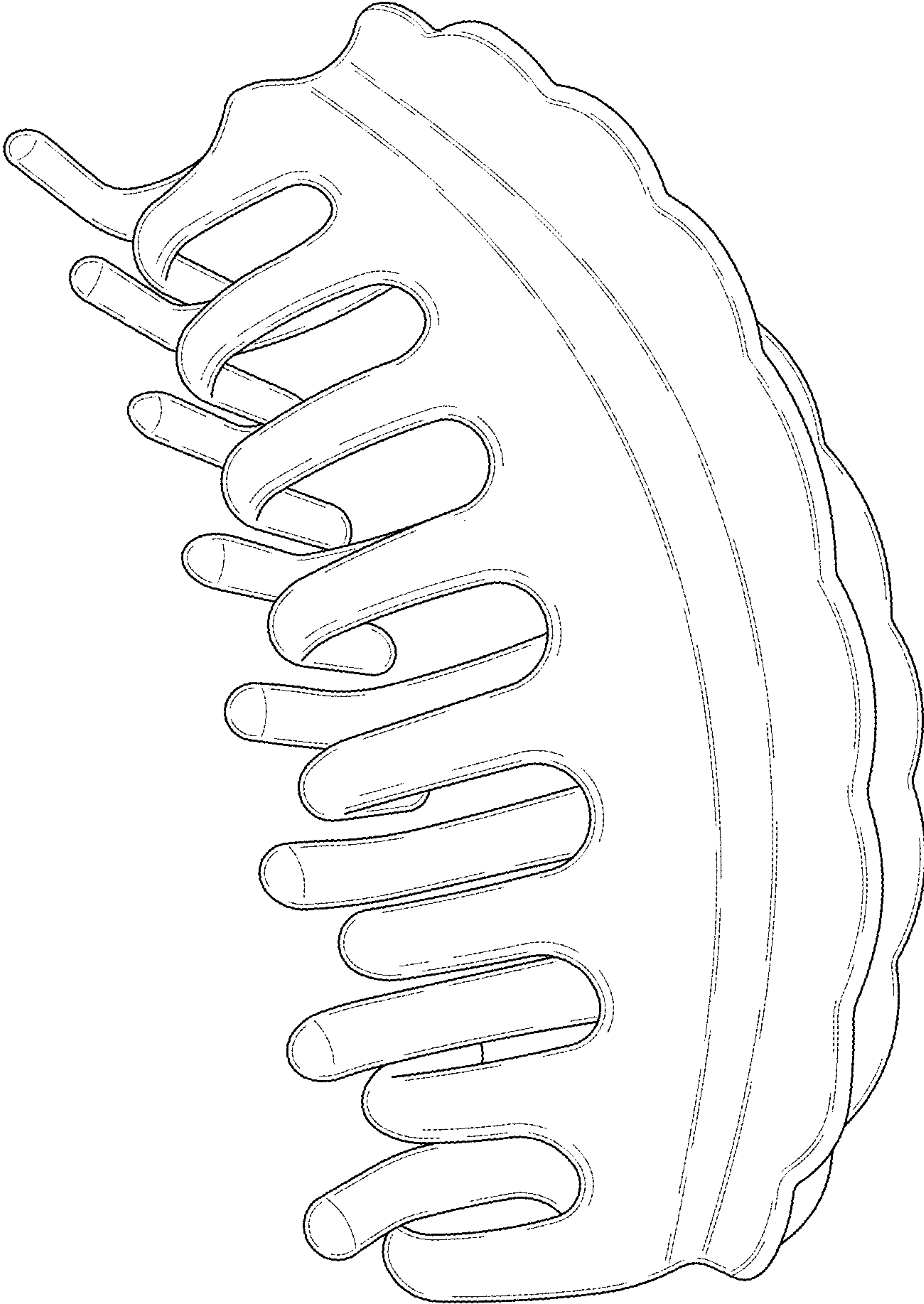


FIG. 1

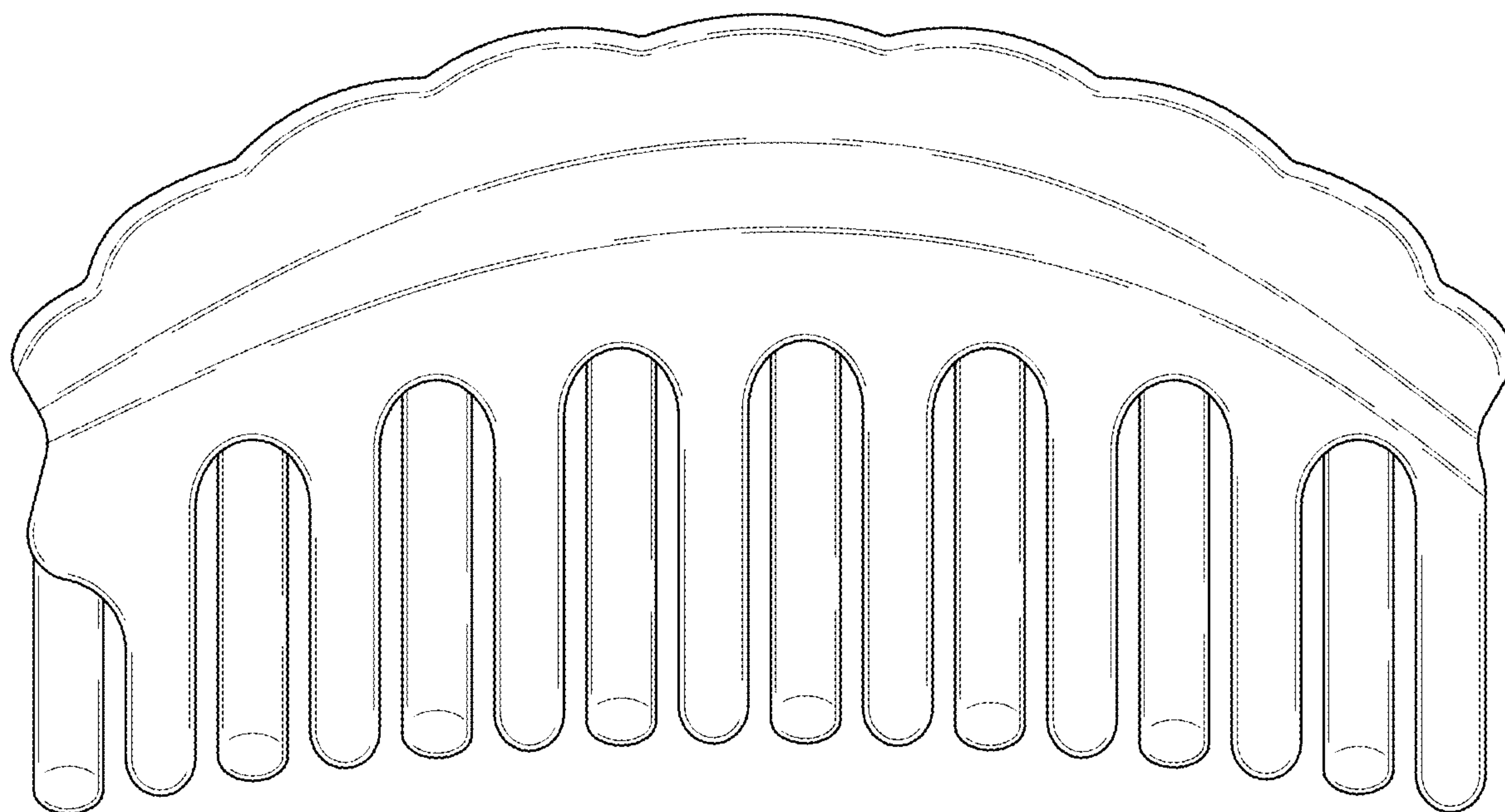


FIG. 2

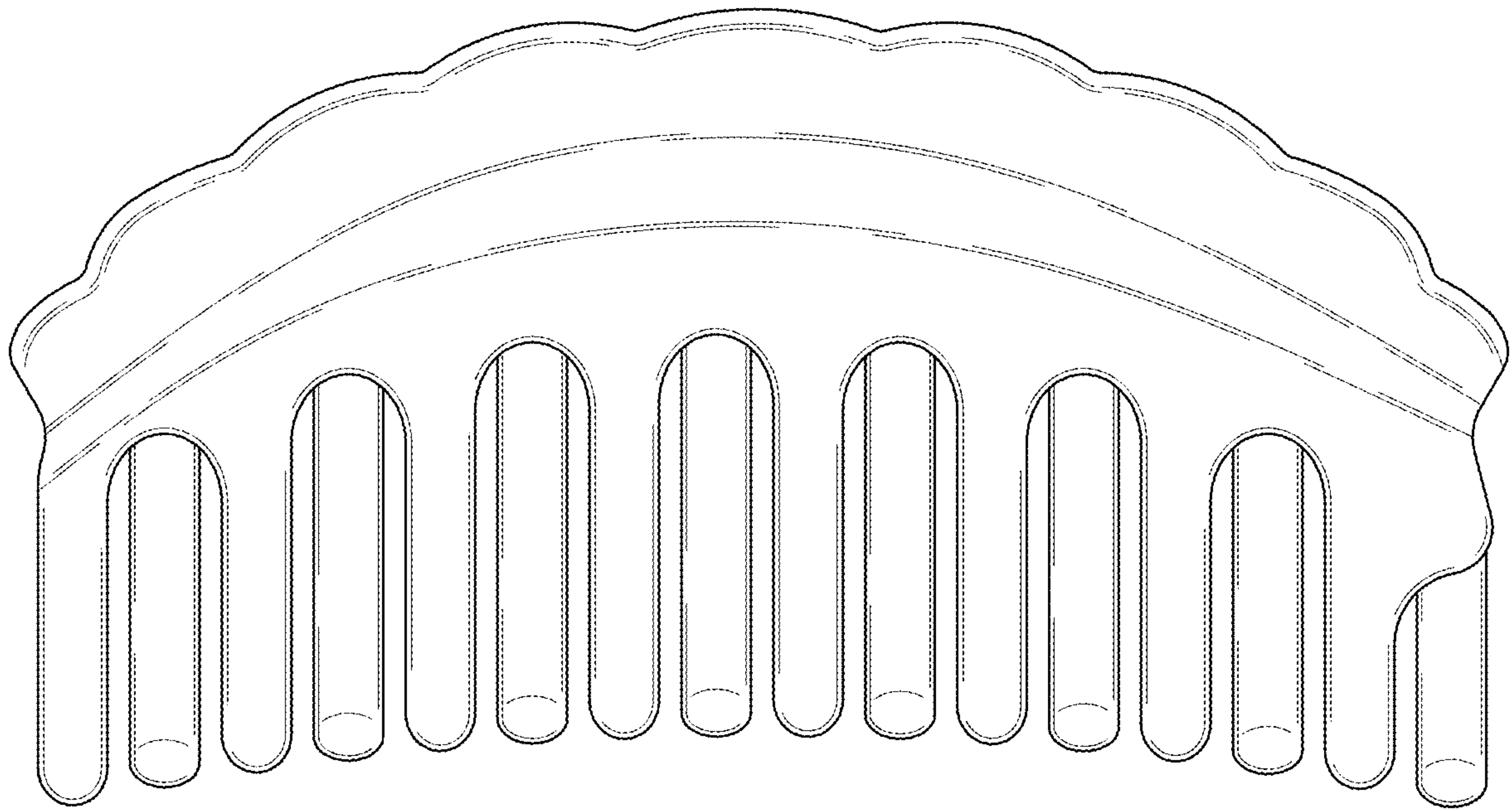


FIG. 3

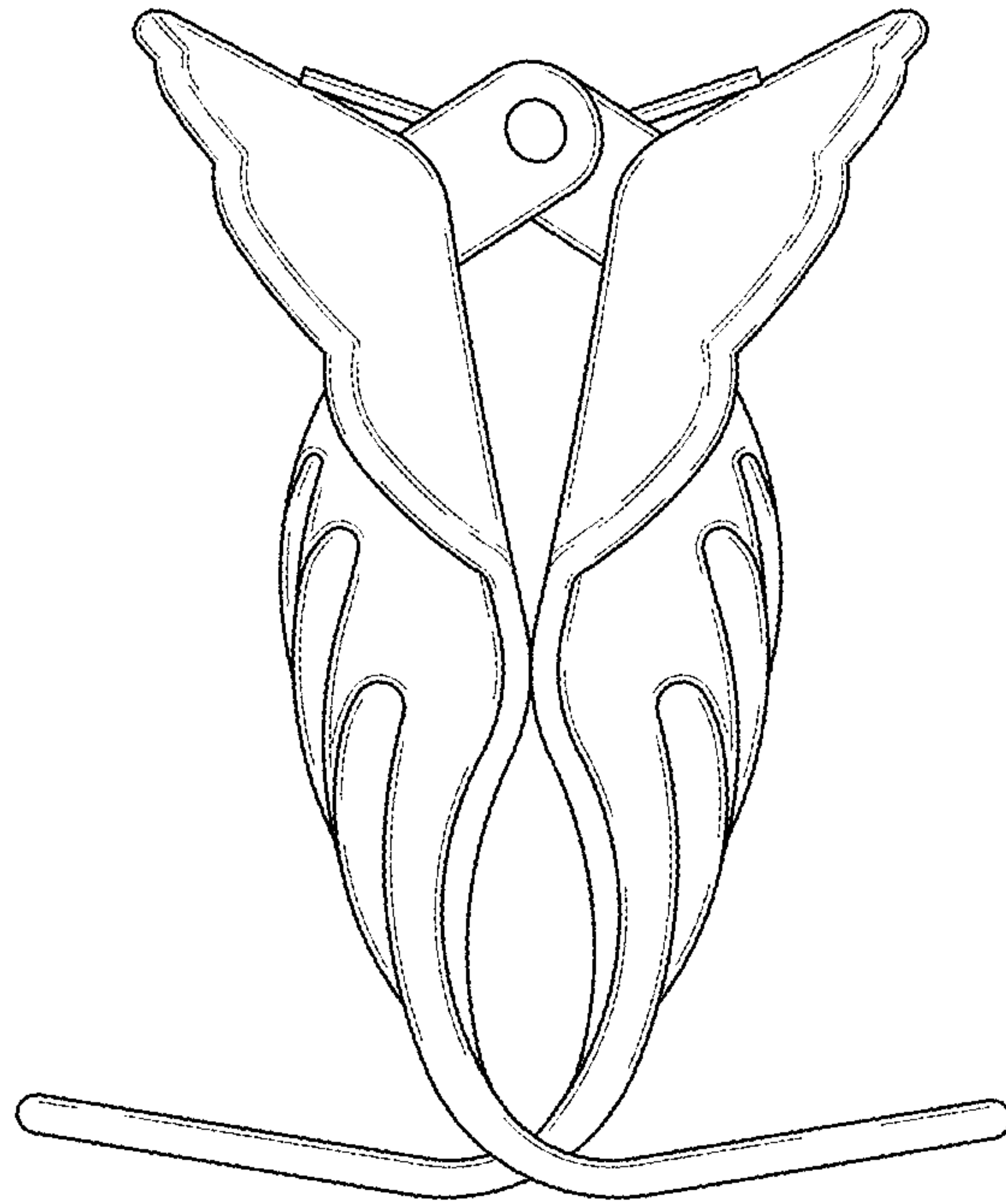


FIG. 4

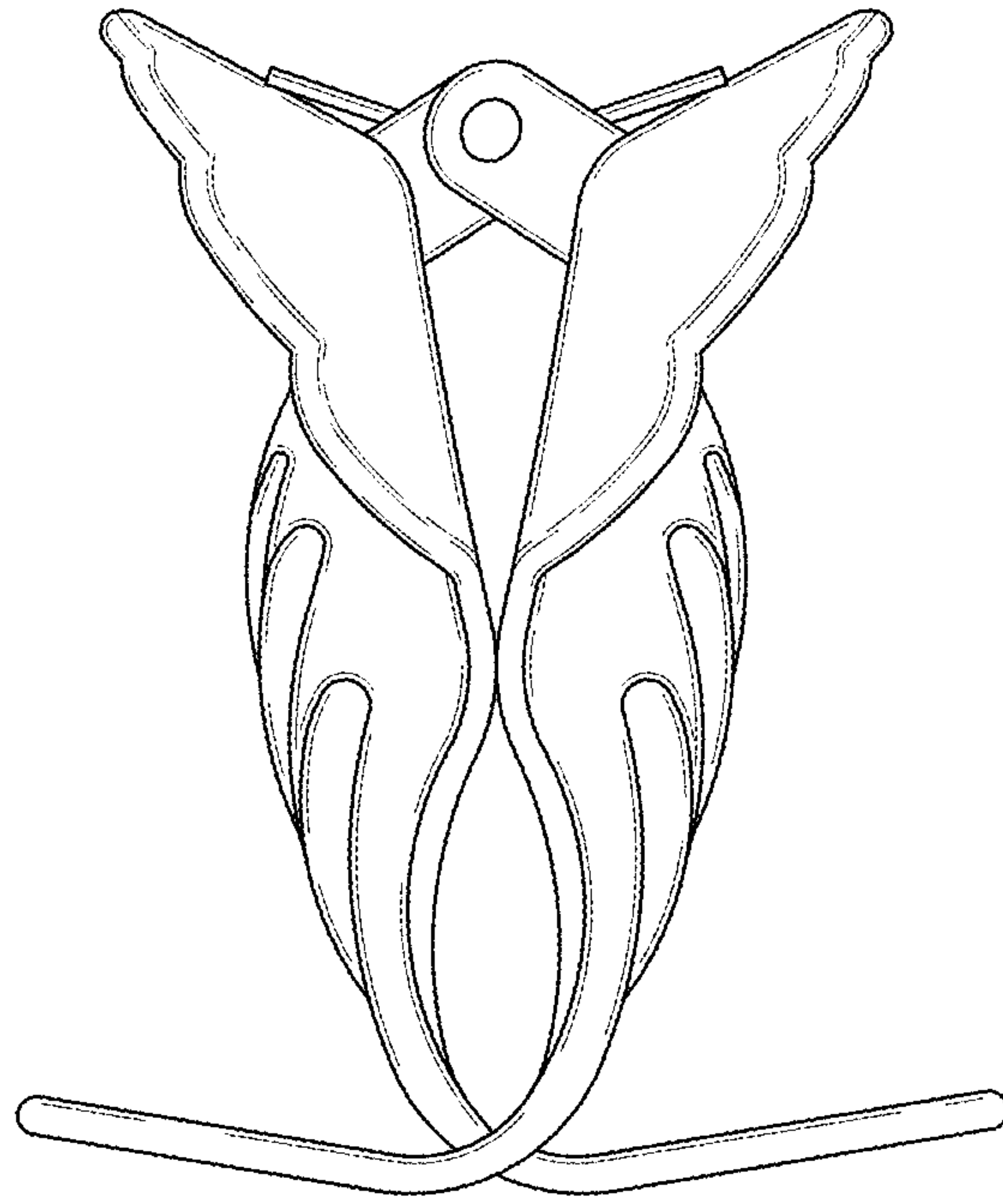


FIG. 5

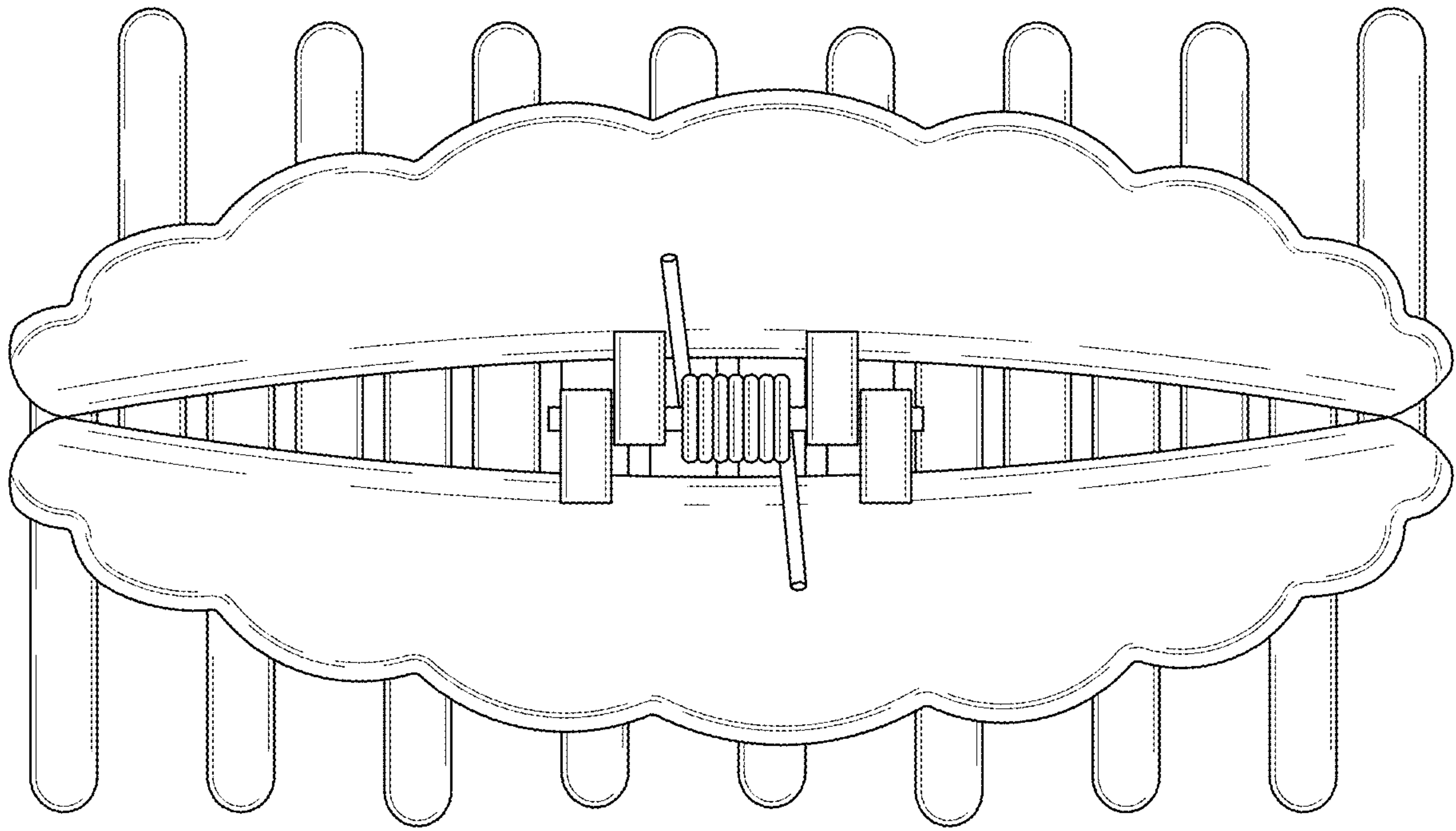


FIG. 6

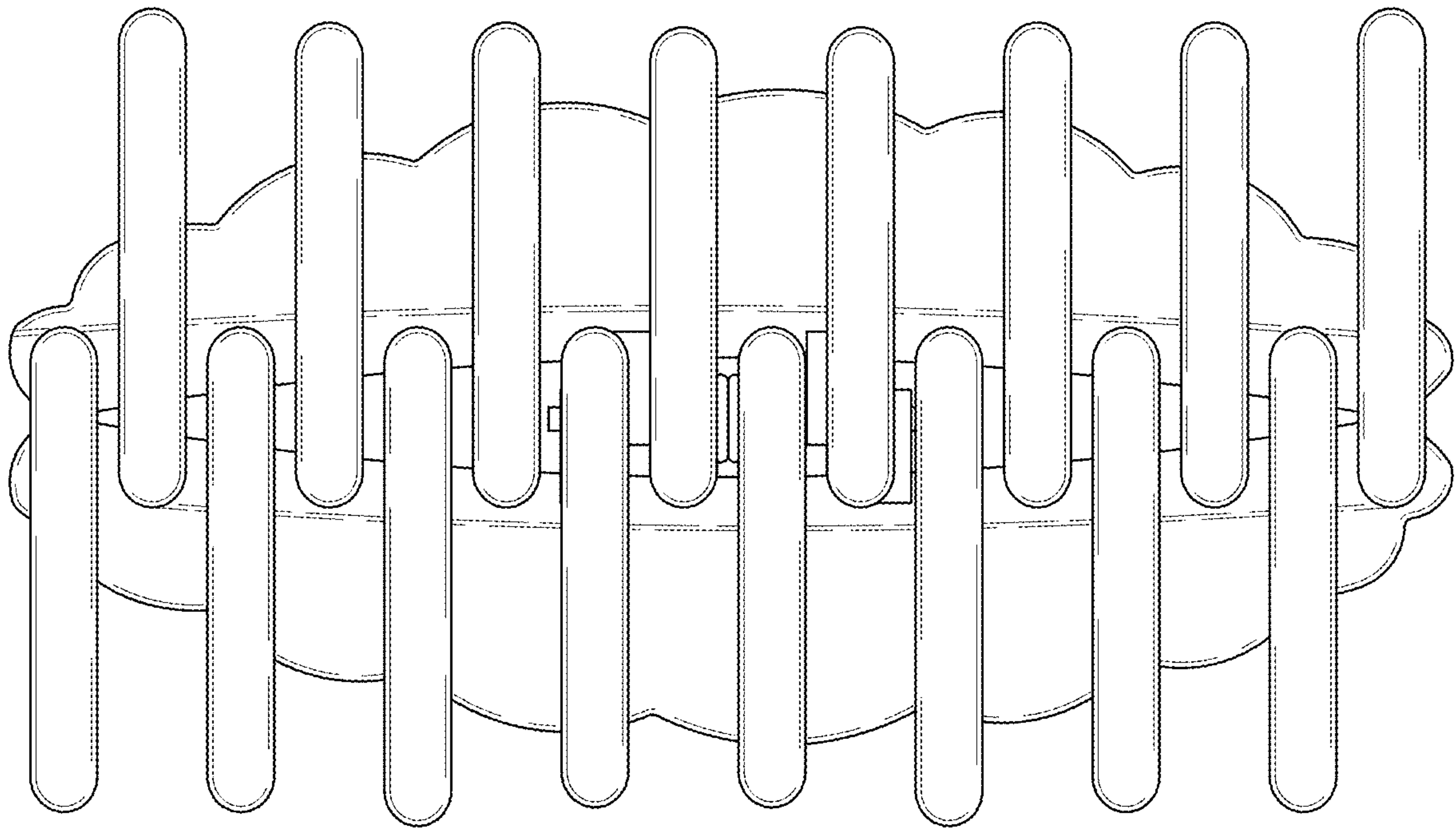


FIG. 7

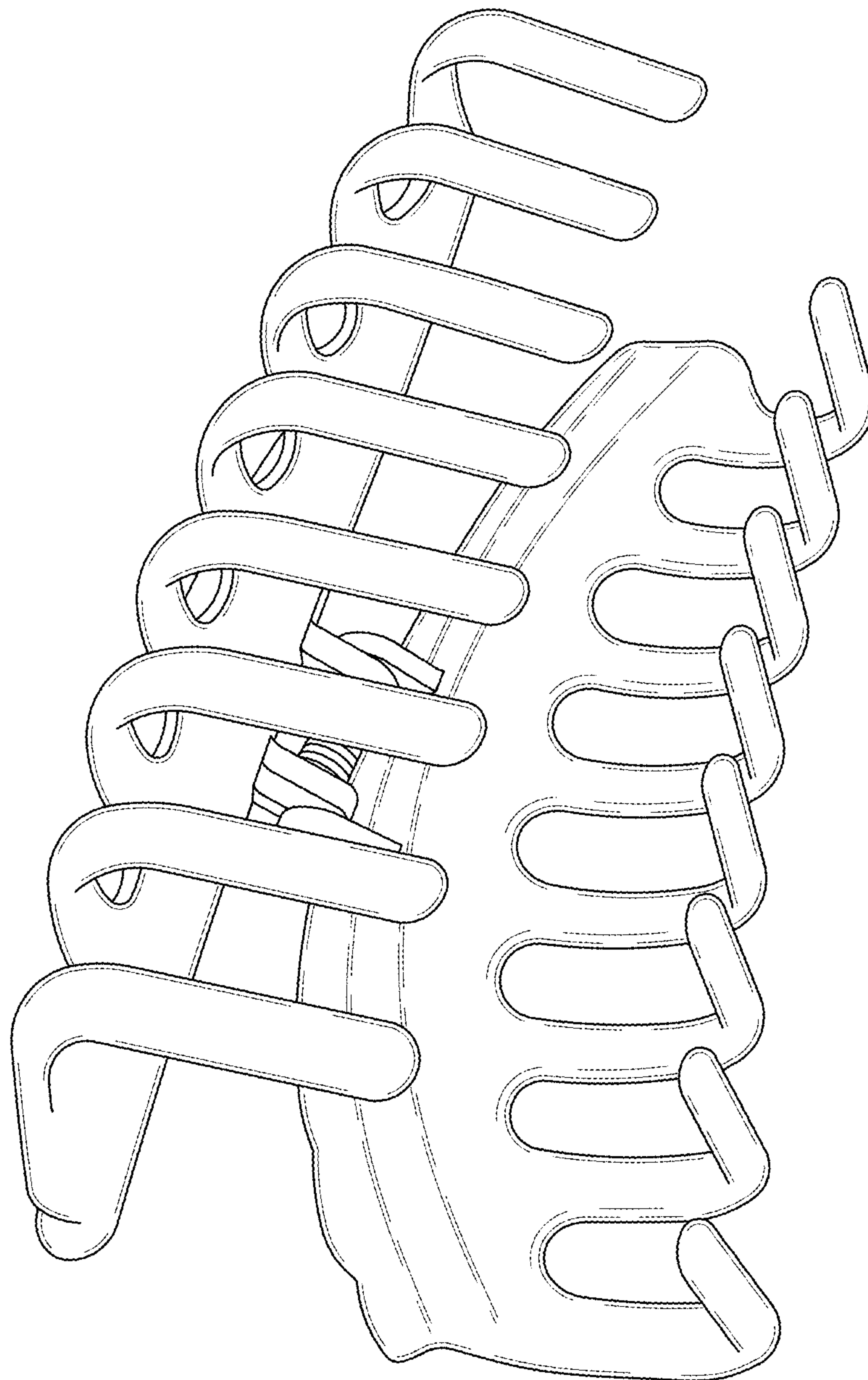


FIG. 8