

US00D949475S

(12) **United States Design Patent** (10) **Patent No.:** **US D949,475 S**
Qi (45) **Date of Patent:** **** Apr. 19, 2022**

(54) **CURLING IRON**

(71) Applicant: **Shanghai Tai Mo Electronic Technology CO., LTD.**, Shanghai (CN)

(72) Inventor: **Miao Qi**, Shanghai (CN)

(73) Assignee: **Shanghai Tai Mo Electronic Technology CO., LTD.**, Shanghai (CN)

(**) Term: **15 Years**

(21) Appl. No.: **29/740,740**

(22) Filed: **Jul. 7, 2020**

(51) **LOC (13) Cl.** **28-03**

(52) **U.S. Cl.**
USPC **D28/35**

(58) **Field of Classification Search**
USPC D28/10, 35, 37, 38, 99
CPC A45D 29/00; A45D 29/02; A45D 29/04;
A45D 29/05; A45D 29/11; A45D 29/14;
A45D 6/00; A45D 6/02; A45D 6/04;
A45D 6/045; A45D 6/06; A45D 6/08;
A45D 6/10; A45D 2/00; A45D 2/001;
A45D 2/006; A45D 2/02; A45D 2/10;
A45D 1/00; A45D 1/004; A45D 1/04;
A45D 1/06; A45D 1/08; A45D 1/10;
A45D 1/14; A45D 1/16; A45D 1/28;
A45D 2002/025; A45D 4/00

See application file for complete search history.

(56) **References Cited**

U.S. PATENT DOCUMENTS

D293,830	S	*	1/1988	Bell	D28/35
D570,042	S	*	5/2008	Leung	D28/35
D570,046	S	*	5/2008	Leung	D28/35
D578,707	S	*	10/2008	Leung	D28/35
D580,097	S	*	11/2008	Leung	D28/35
D596,792	S	*	7/2009	Kwok	D28/35
D629,563	S	*	12/2010	Mau	D28/35
D698,487	S	*	1/2014	Byun	D28/35
D698,488	S	*	1/2014	Byun	D28/35
D748,331	S	*	1/2016	Prats	D28/35

D821,031	S	*	6/2018	Feng	D28/35
D884,271	S	*	5/2020	Liao	D28/35
2005/0022836	A1	*	2/2005	Tong	A45D 1/06 132/224
2011/0203606	A1	*	8/2011	Recchion	A45D 1/04 132/269
2014/0007898	A1	*	1/2014	Deng	A45D 1/04 132/269
2016/0166037	A1	*	6/2016	Teramoto	A45D 1/04 132/269
2018/0070694	A1	*	3/2018	Feng	A45D 1/16

OTHER PUBLICATIONS

TYMO Wavy Rotating Curling Iron, TYMO, reviewed on May 12, 2020, retrieved on Sep. 29, 2021, retrieved from the Internet URL: https://www.amazon.com/TYMO-Handheld-Massager/dp/B07NQCLD81/ref=cm_cr_arp_d_product_top?ie=UTF8.*

* cited by examiner

Primary Examiner — Jennifer Rivard
Assistant Examiner — Alison M Ofstun
(74) *Attorney, Agent, or Firm* — Anova Law Group, PLLC

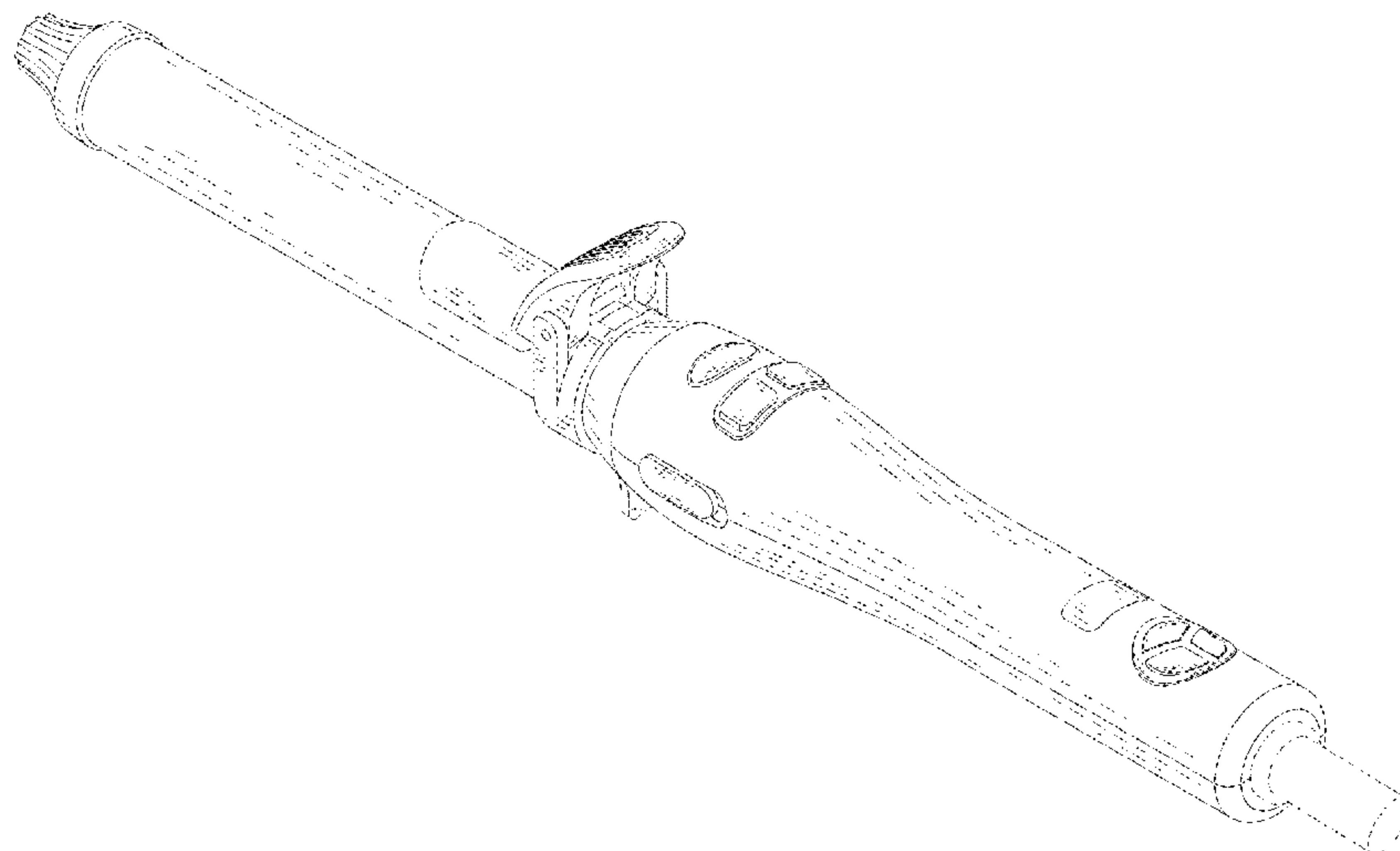
(57) **CLAIM**

The ornamental design for a curling iron, as shown and described.

DESCRIPTION

FIG. 1 is a perspective view of a curling iron showing my new design;
FIG. 2 is a front view thereof;
FIG. 3 is a rear view thereof;
FIG. 4 is a left side view thereof;
FIG. 5 is a right side view thereof;
FIG. 6 is a top plan view thereof; and,
FIG. 7 is a bottom plan view thereof.
In the drawings, the evenly-spaced broken lines illustrate portions of the article that form no part of the claimed design.

1 Claim, 7 Drawing Sheets



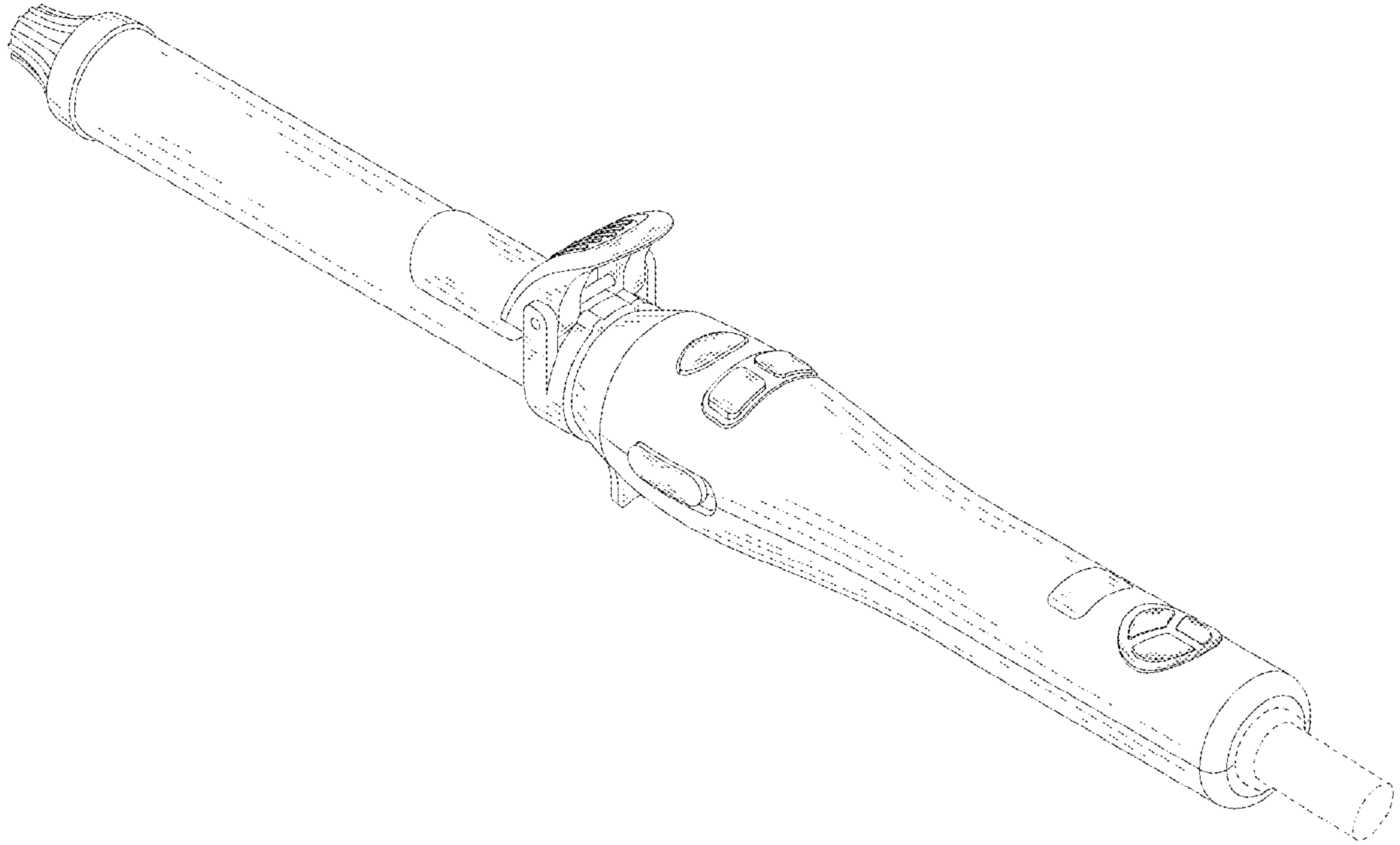


FIG. 1

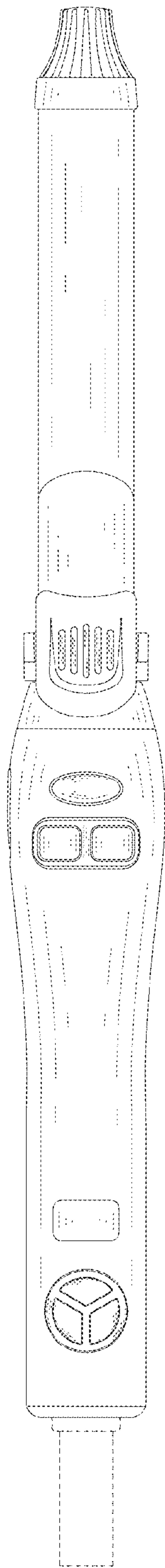


FIG. 2

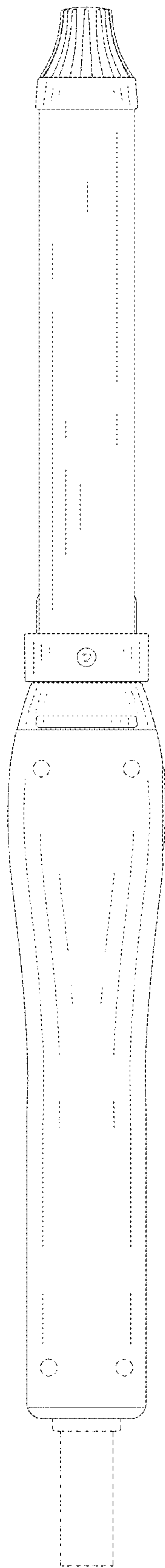


FIG. 3

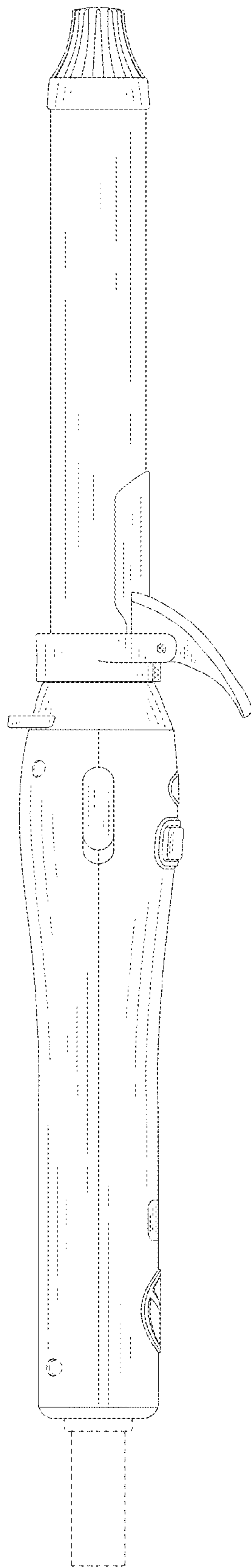


FIG. 4

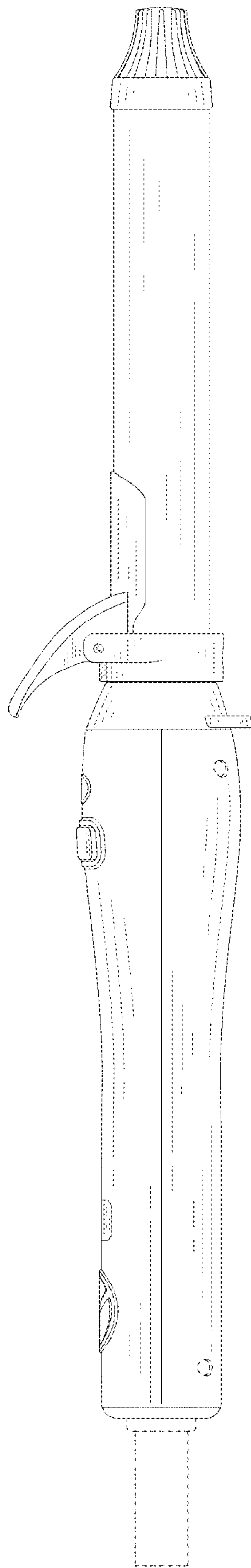


FIG. 5

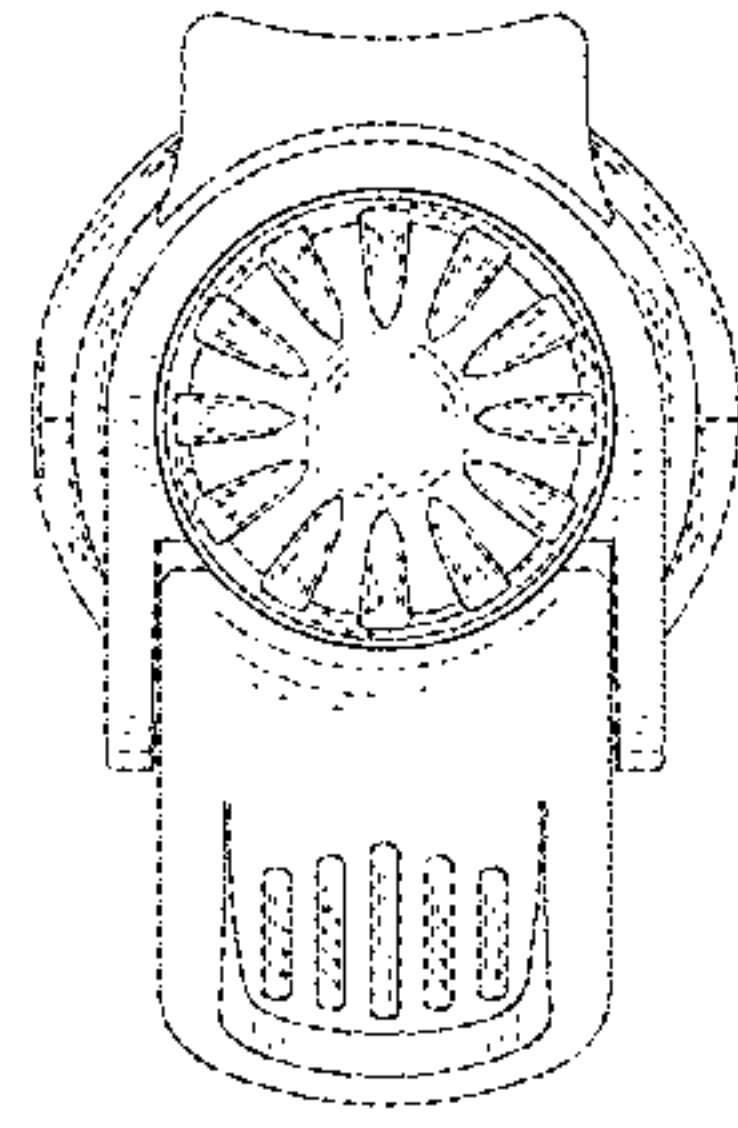


FIG. 6

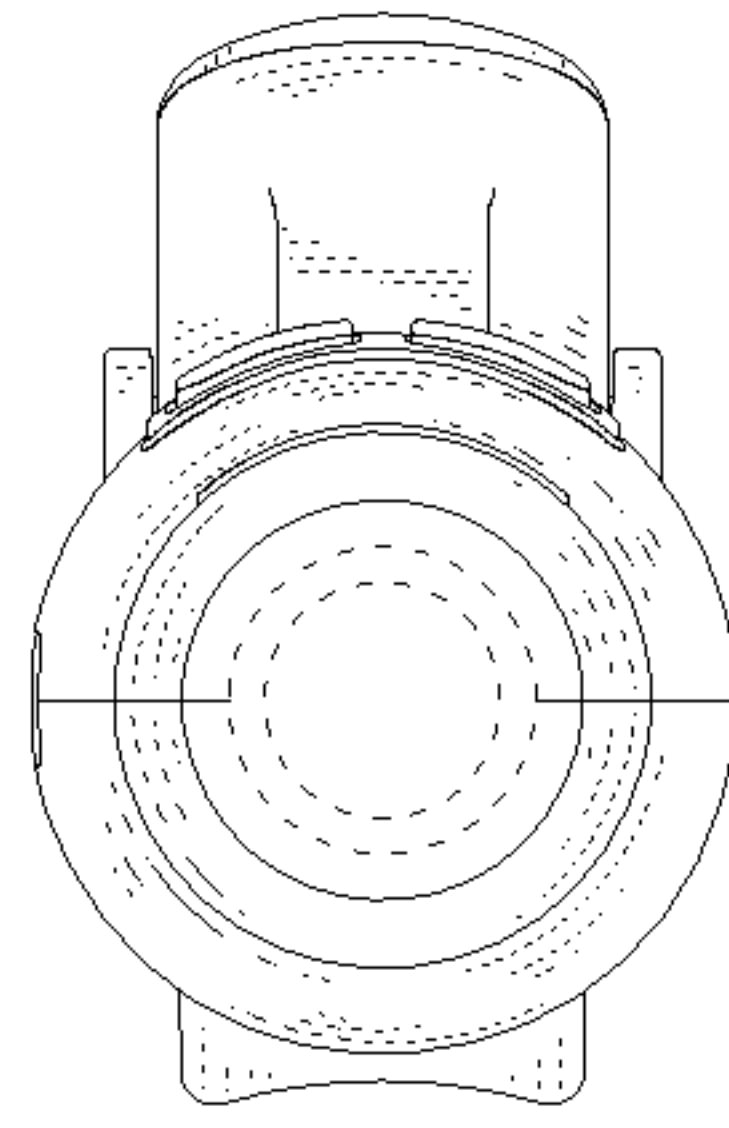


FIG. 7