



US00D949473S

(12) **United States Design Patent**  
**Bianco**

(10) **Patent No.:** **US D949,473 S**

(45) **Date of Patent:** **\*\* Apr. 19, 2022**

(54) **COSMETIC APPLICATOR**

(71) Applicant: **Dorien Bianco**, Zetun (MT)

(72) Inventor: **Dorien Bianco**, Zetun (MT)

(\*\*) Term: **15 Years**

(21) Appl. No.: **29/745,798**

(22) Filed: **Aug. 10, 2020**

(51) **LOC (13) Cl.** ..... **28-03**

(52) **U.S. Cl.**  
USPC ..... **D28/7**

(58) **Field of Classification Search**  
USPC ..... D28/7, 8, 76, 85, 99  
CPC ..... A45D 33/12; A45D 40/24; A45D 40/26;  
A45D 40/261  
See application file for complete search history.

(56) **References Cited**

**U.S. PATENT DOCUMENTS**

D638,987 S \* 5/2011 Limongi ..... D28/7  
D638,989 S \* 5/2011 Limongi ..... D28/7  
D640,000 S \* 6/2011 Limongi ..... D28/7

D641,932 S \* 7/2011 Poletto ..... D28/76  
D732,734 S \* 6/2015 Poletto ..... D28/7  
D806,314 S \* 12/2017 Hamida ..... D28/7  
D807,580 S \* 1/2018 Nagata ..... D28/7  
D919,883 S \* 5/2021 Shen ..... D28/7  
D927,063 S \* 8/2021 Roh ..... D28/7

\* cited by examiner

*Primary Examiner* — Zenia I Bennett

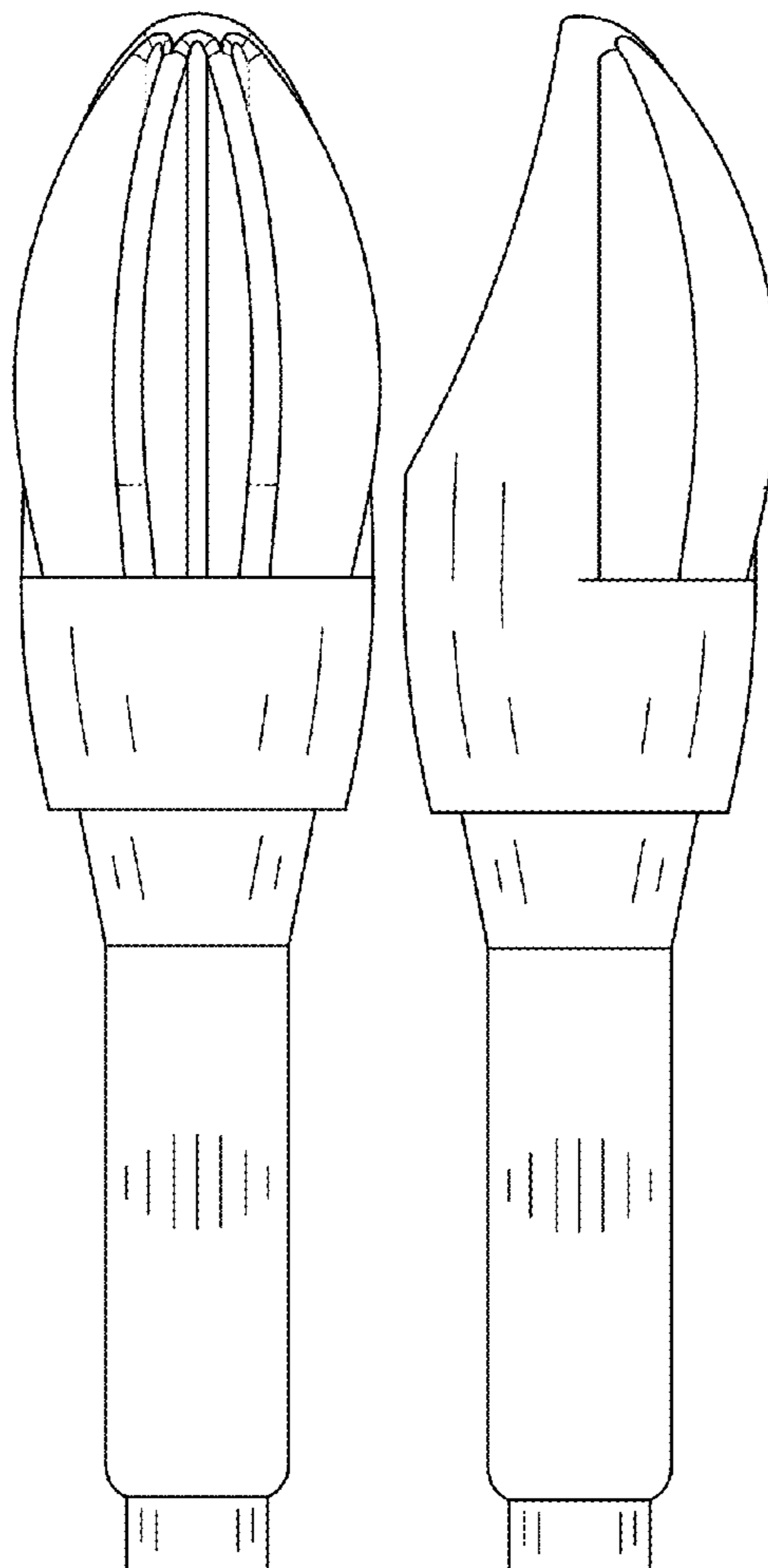
(57) **CLAIM**

I claim the ornamental design for a cosmetic applicator, as shown and described.

**DESCRIPTION**

FIG. 1 is a front elevation view of a cosmetic applicator showing my new design.  
FIG. 2 is a top elevation view of FIG. 1.  
FIG. 3 is a bottom elevation view FIG. 1.  
FIG. 4 is a right hand elevation view of FIG. 1.  
FIG. 5 is a left hand elevstion view of FIG. 1.  
FIG. 6 is a rear elevation view of FIG. 1.  
FIG. 7 is a top perspective elevation view of FIG. 1; and,  
FIG. 8 is a bottom perspective elevation view of FIG. 6.

**1 Claim, 2 Drawing Sheets**



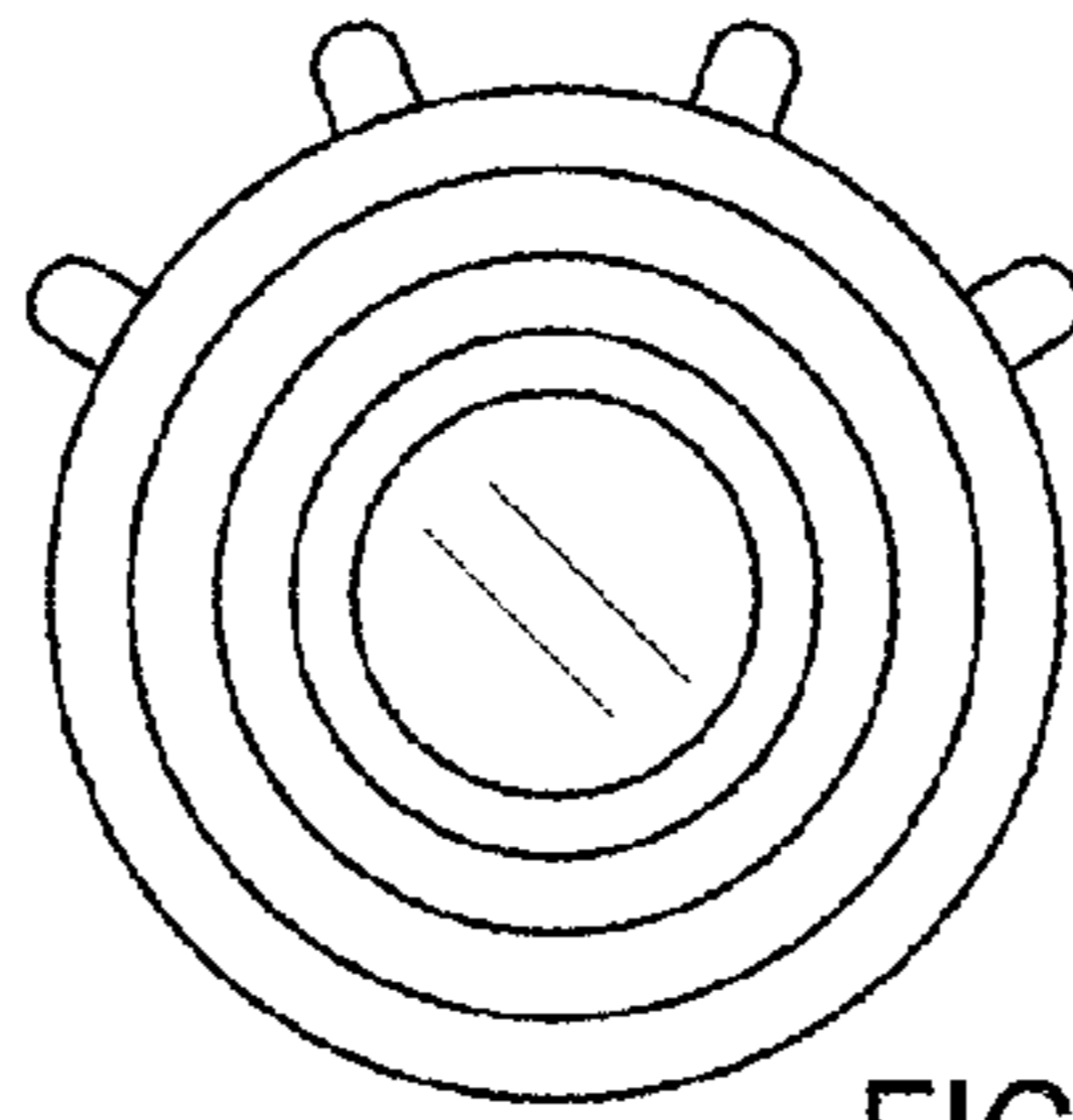


FIG.3

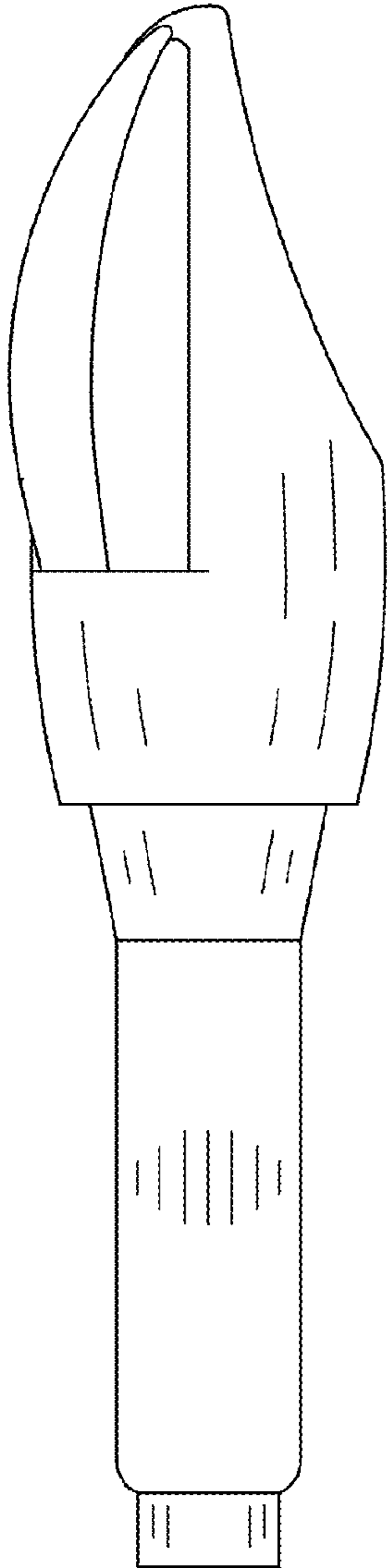


FIG.4

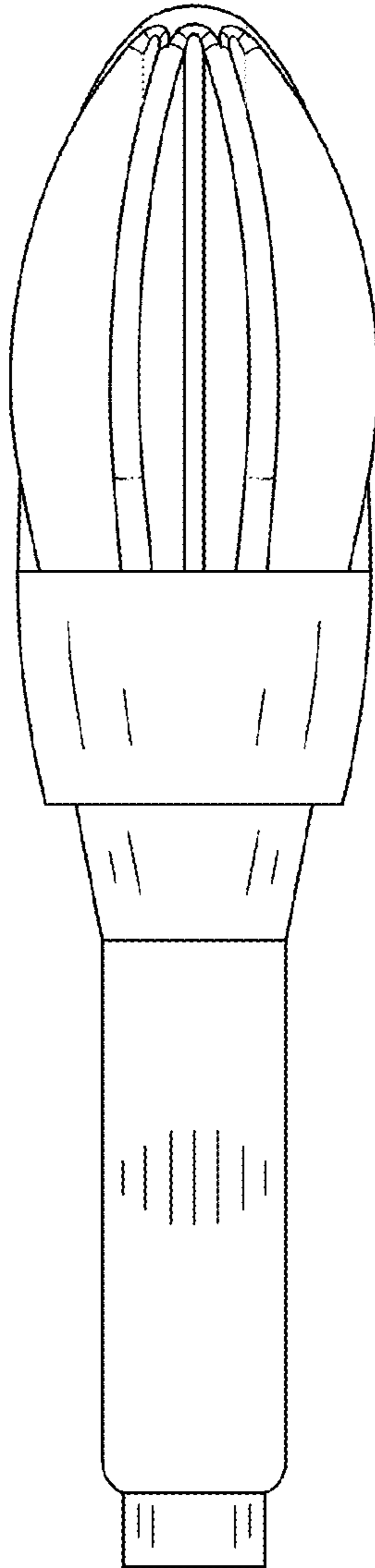


FIG.1

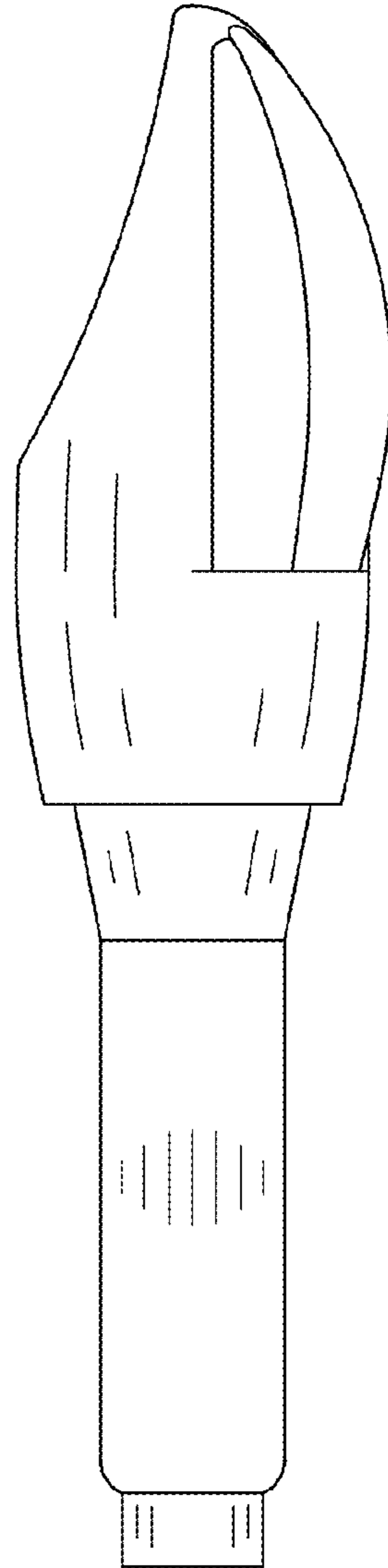


FIG.5

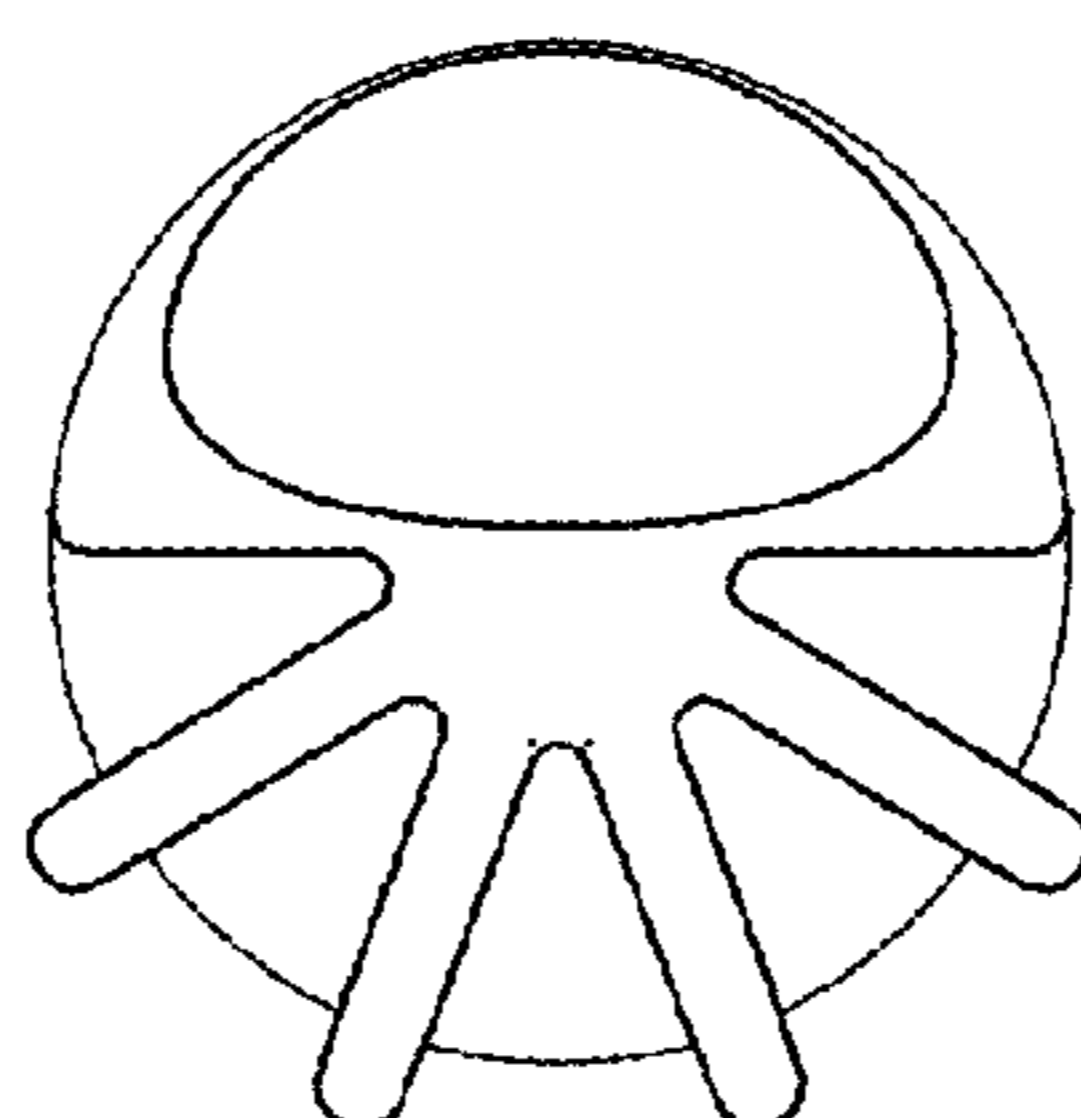


FIG.2

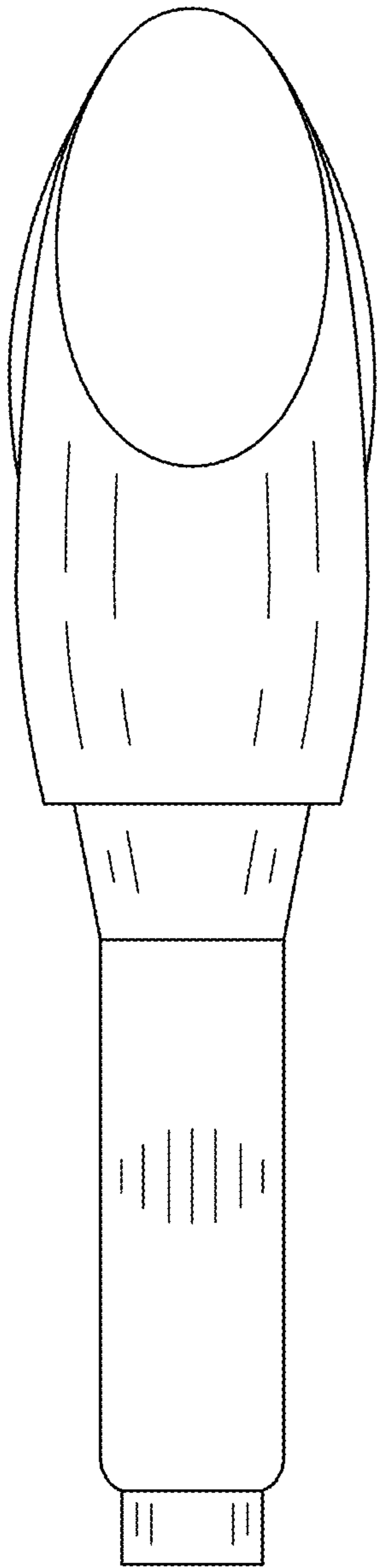


FIG.6

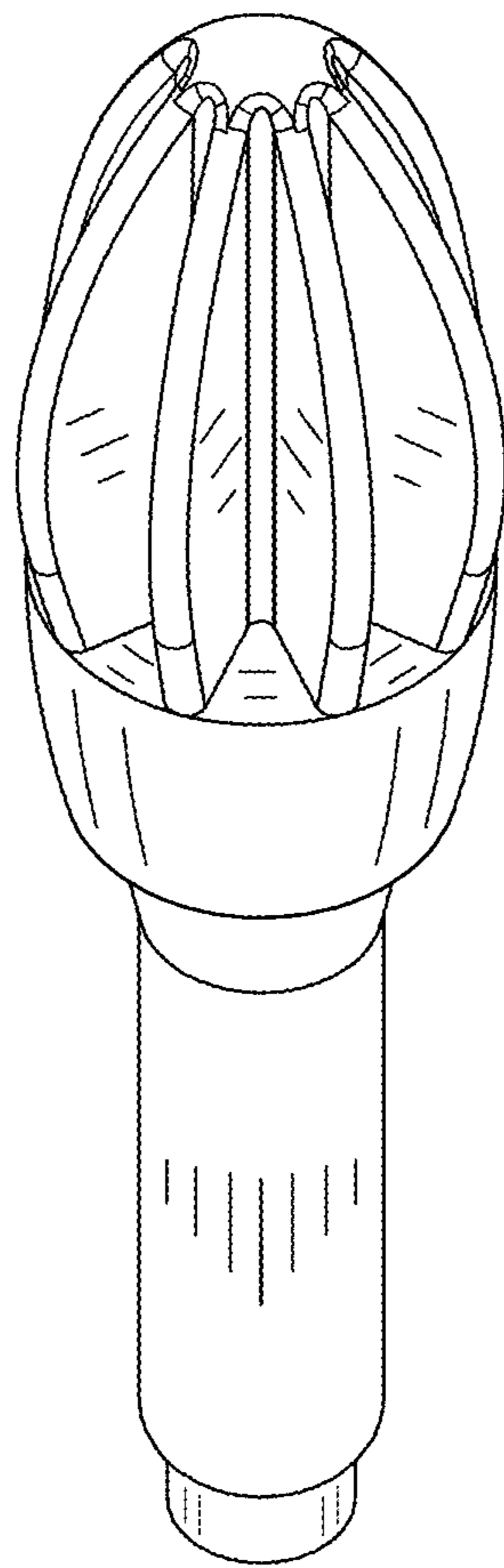


FIG.7

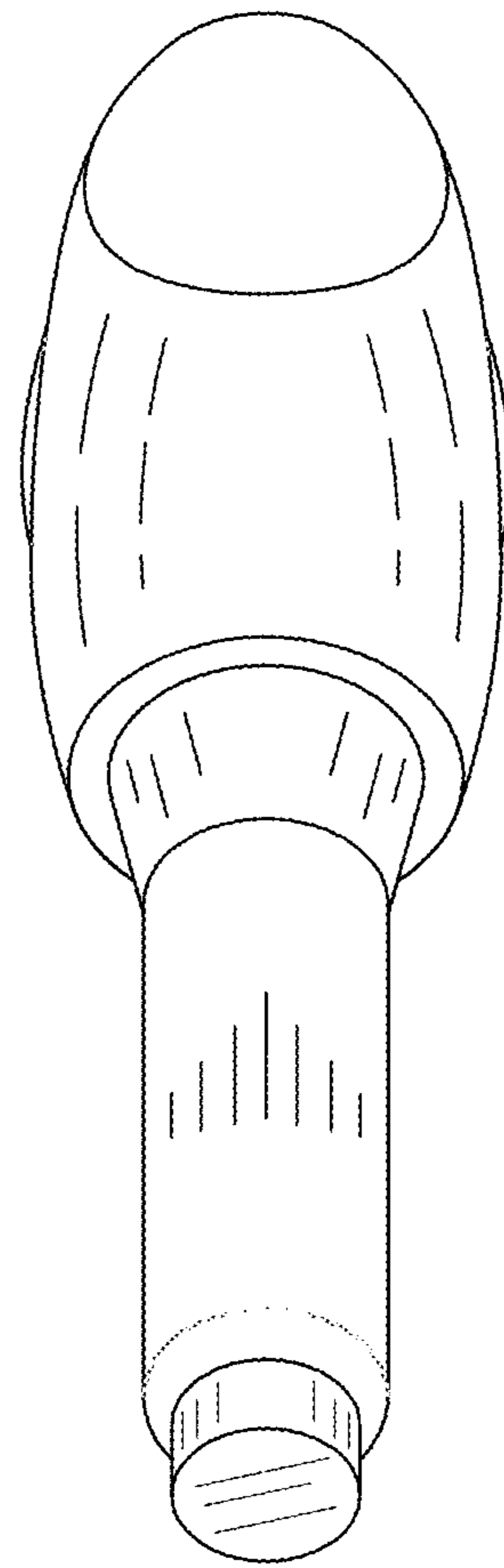


FIG.8