



US00D949467S

(12) **United States Design Patent**
Liu

(10) **Patent No.:** **US D949,467 S**

(45) **Date of Patent:** **** Apr. 19, 2022**

(54) **ELECTRONIC HOOKAH**

(71) Applicant: **Shenzhen Eigate Technology Co., Ltd.**, Shenzhen (CN)

(72) Inventor: **Tuanfang Liu**, Shenzhen (CN)

(73) Assignee: **SHENZHEN EIGATE TECHNOLOGY CO., LTD.**, Shenzhen (CN)

(**) Term: **15 Years**

(21) Appl. No.: **29/752,346**

(22) Filed: **Sep. 26, 2020**

(30) **Foreign Application Priority Data**

May 11, 2020 (CN) 202030210071.0

(51) **LOC (13) Cl.** **27-02**

(52) **U.S. Cl.**
USPC **D27/162**

(58) **Field of Classification Search**

USPC D27/162, 100, 103, 163–165, 167, 168,
D27/169, 172, 180, 183, 194; D23/360;
D11/152, 154, 157, 143, 148

CPC A24F 1/30; A24F 1/02; A24F 1/00; A24F
47/008; A24F 47/002; A61M 15/00

See application file for complete search history.

(56) **References Cited**

U.S. PATENT DOCUMENTS

D806,945 S * 1/2018 Lepper D27/163
10,010,914 B1 * 7/2018 Gilmore A24F 3/00

D844,231 S * 3/2019 Klimczyk D27/162
D846,187 S * 4/2019 Hoch D27/162
D854,740 S * 7/2019 Opp D27/162
D863,671 S * 10/2019 Reimann D27/162
D877,974 S * 3/2020 Tucci D27/162
D907,845 S * 1/2021 Collins D27/162
D909,665 S * 2/2021 Volodarsky D27/162
D914,961 S * 3/2021 Li D27/162
D927,055 S * 8/2021 Opp D27/162
2017/0055579 A1 * 3/2017 Kuna A24F 40/42

* cited by examiner

Primary Examiner — Marissa J Cash

Assistant Examiner — Rebecca Tsehaye

(74) *Attorney, Agent, or Firm* — Matthias Scholl P C.;
Matthias Scholl

(57) **CLAIM**

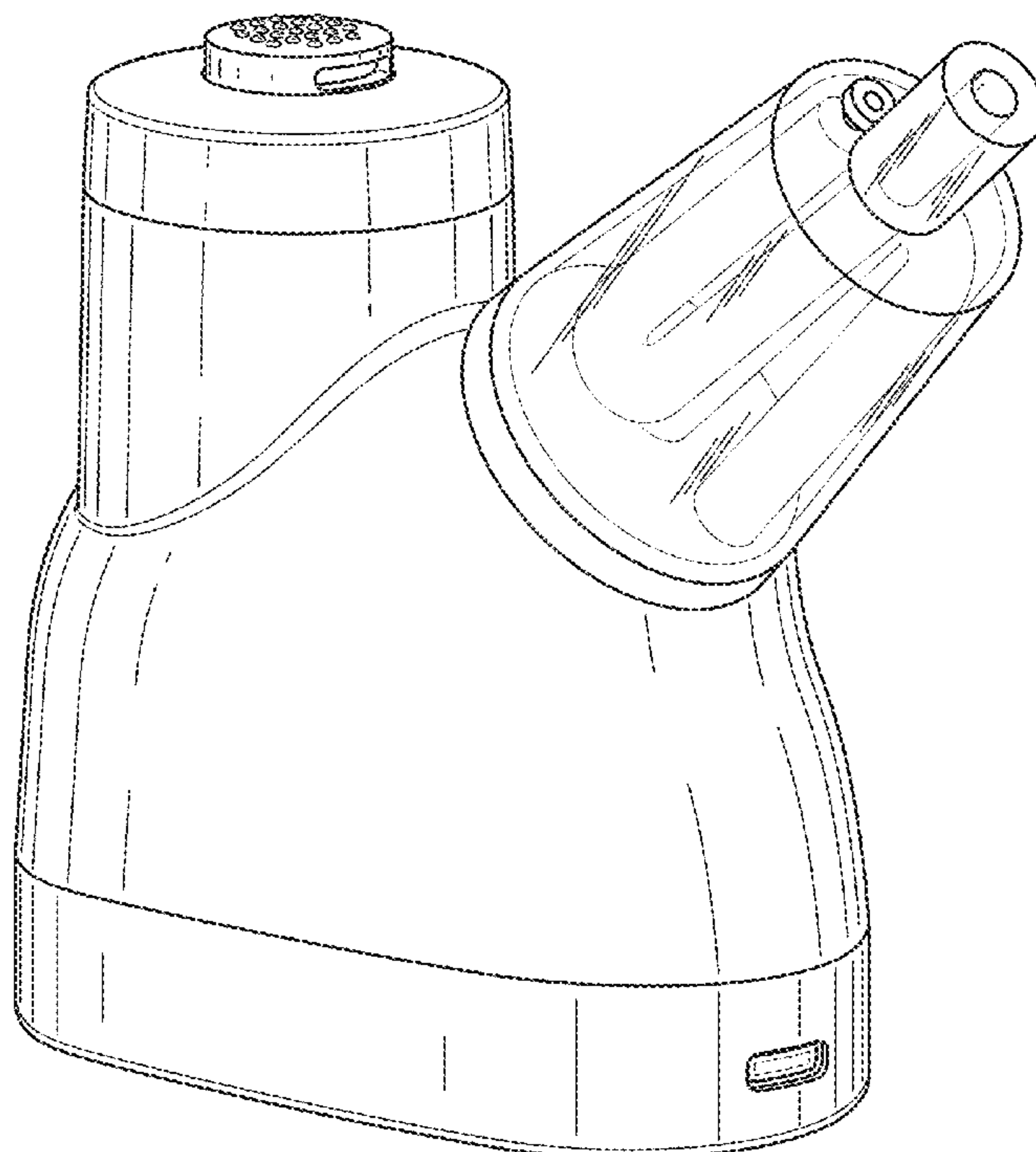
The ornamental design for an electronic hookah, as shown and described.

DESCRIPTION

FIG. 1 is a front elevation view of an electronic hookah;
FIG. 2 is a rear elevation view thereof;
FIG. 3 is a left-side elevation view thereof;
FIG. 4 is a right-side elevation view thereof;
FIG. 5 is a top plan view thereof;
FIG. 6 is a bottom plan view thereof;
FIG. 7 is a perspective view thereof; and,
FIG. 8 is a bottom perspective view thereof.

The broken lines depict portions of the electronic hookah that form no part of the claimed design.

1 Claim, 8 Drawing Sheets



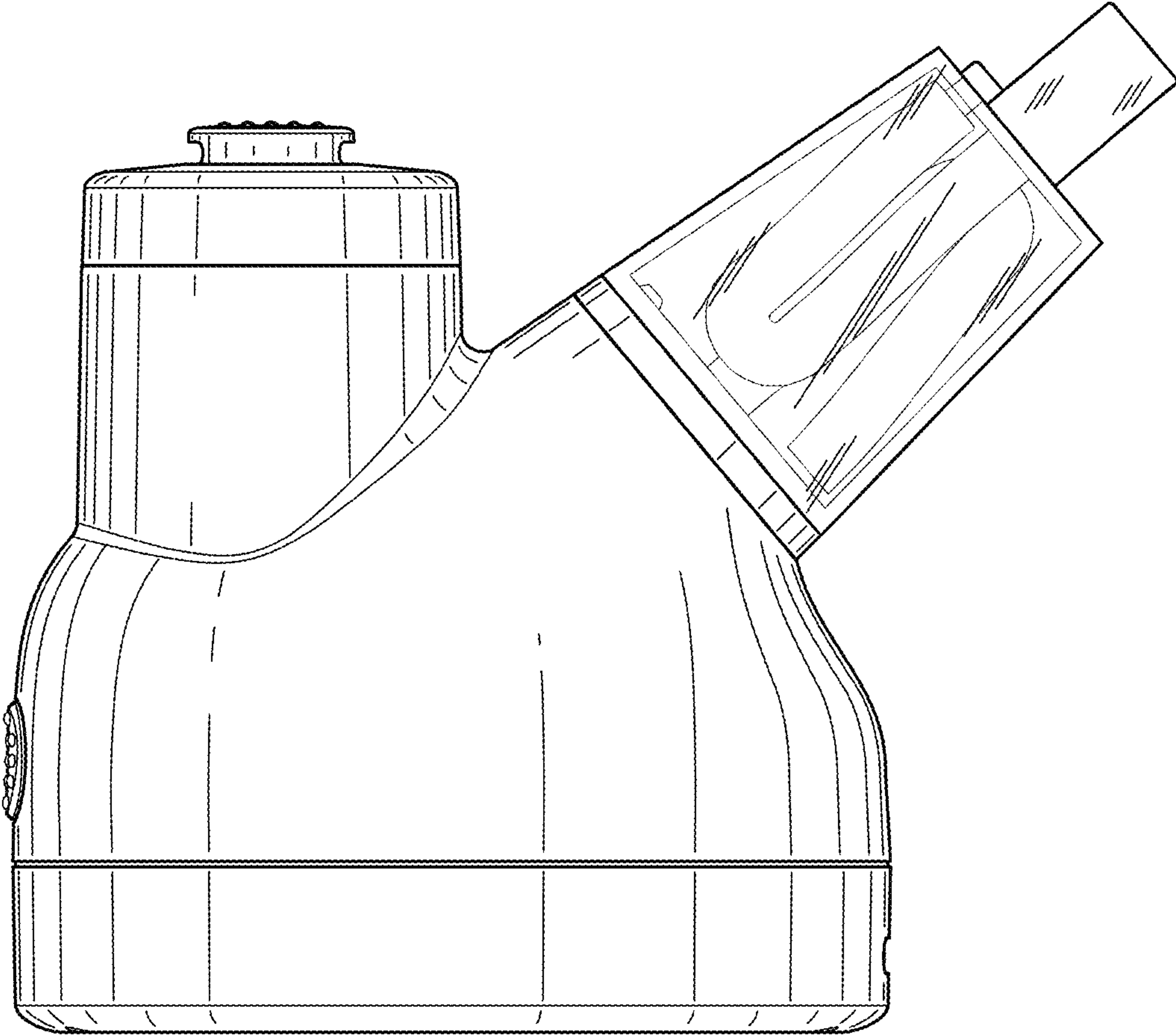


FIG. 1

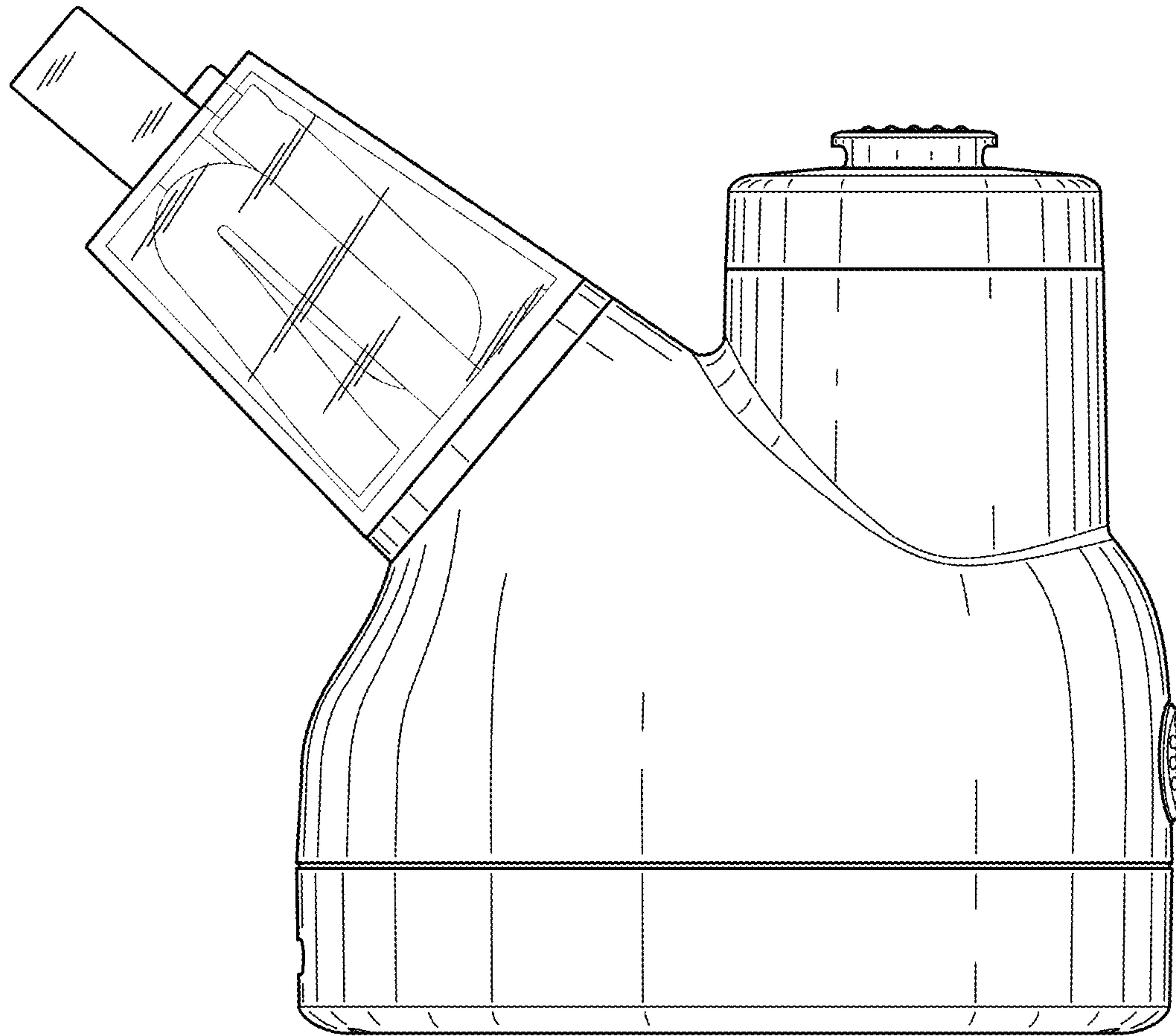


FIG. 2

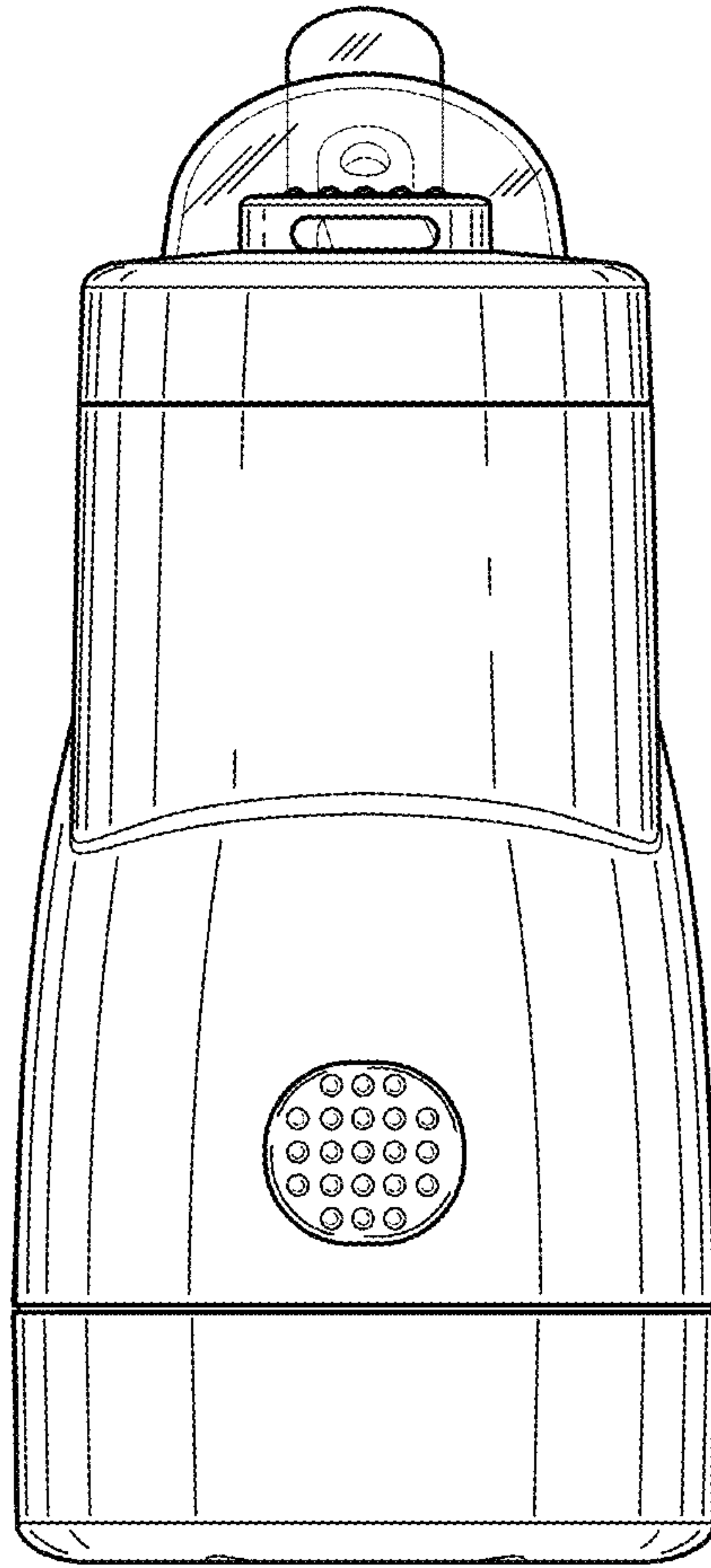


FIG. 3

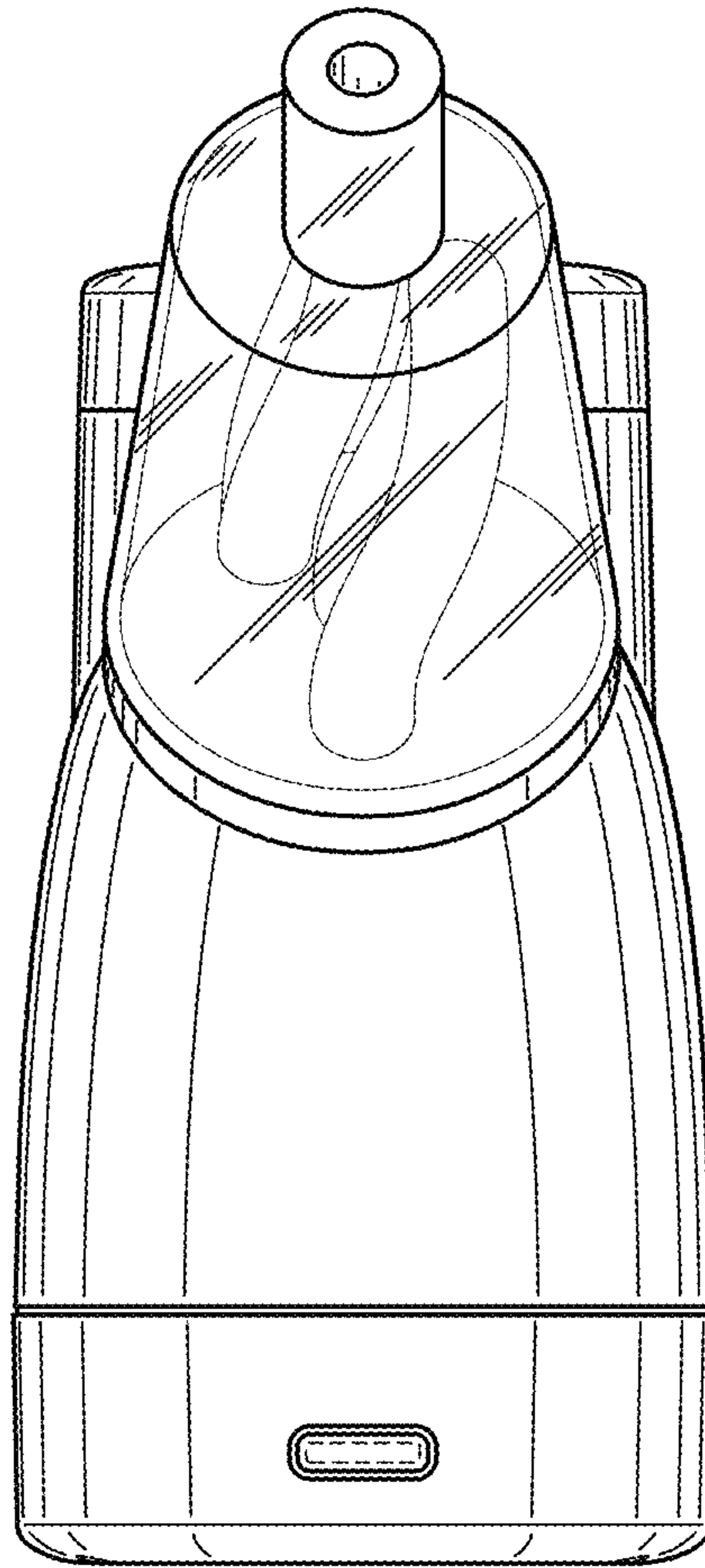


FIG. 4

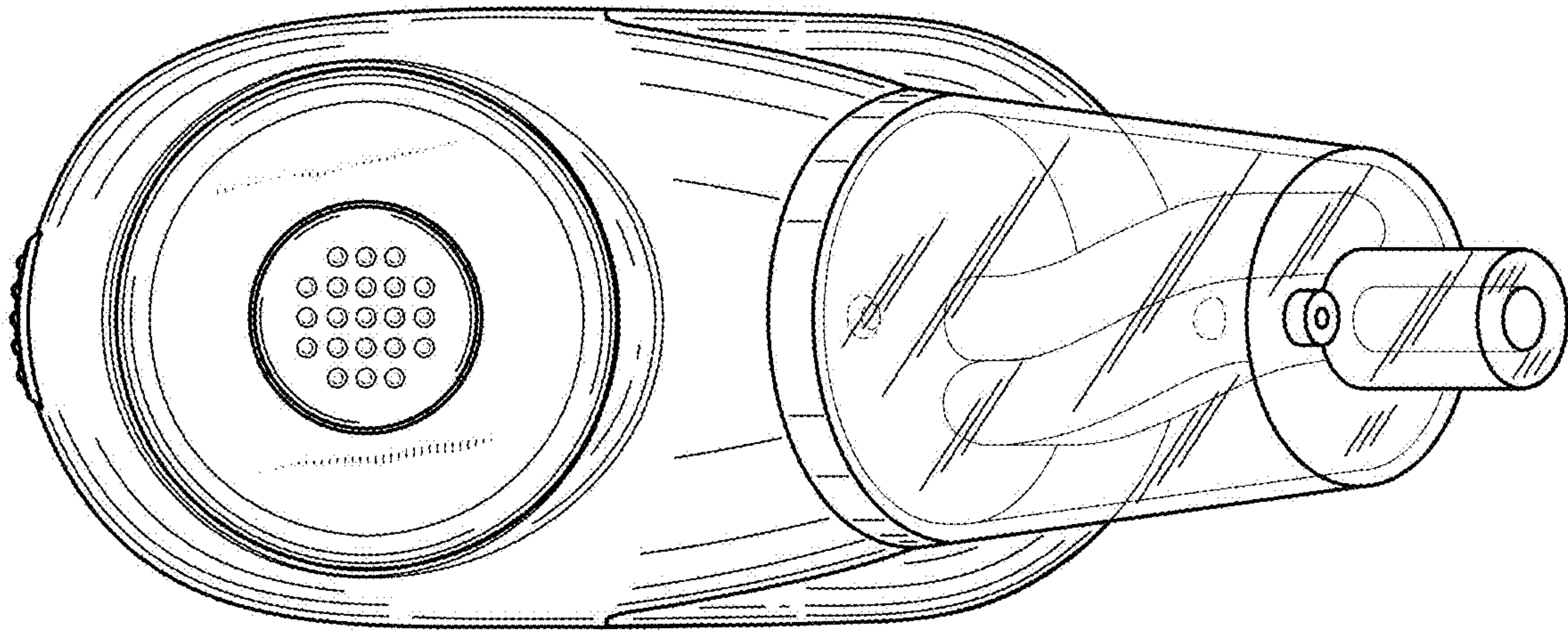


FIG. 5

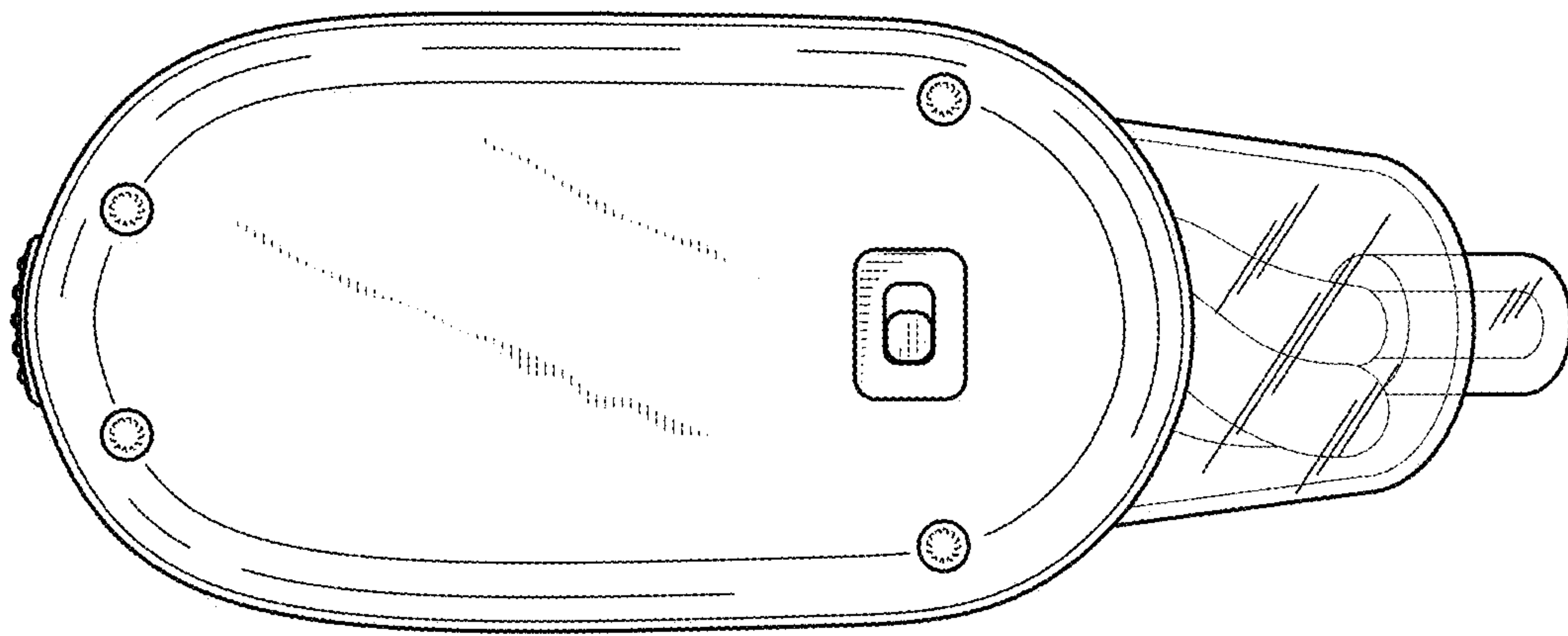


FIG. 6

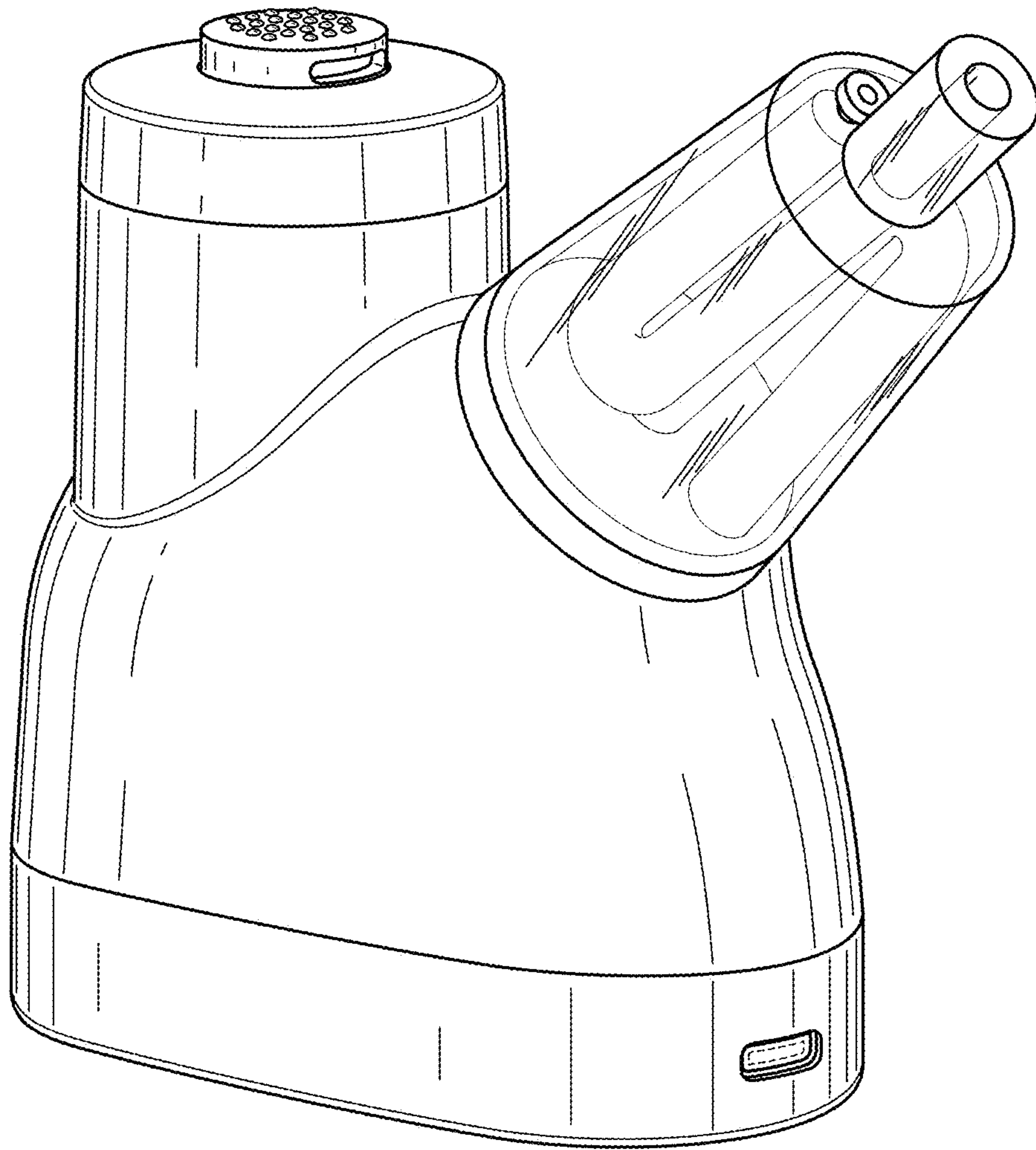


FIG. 7

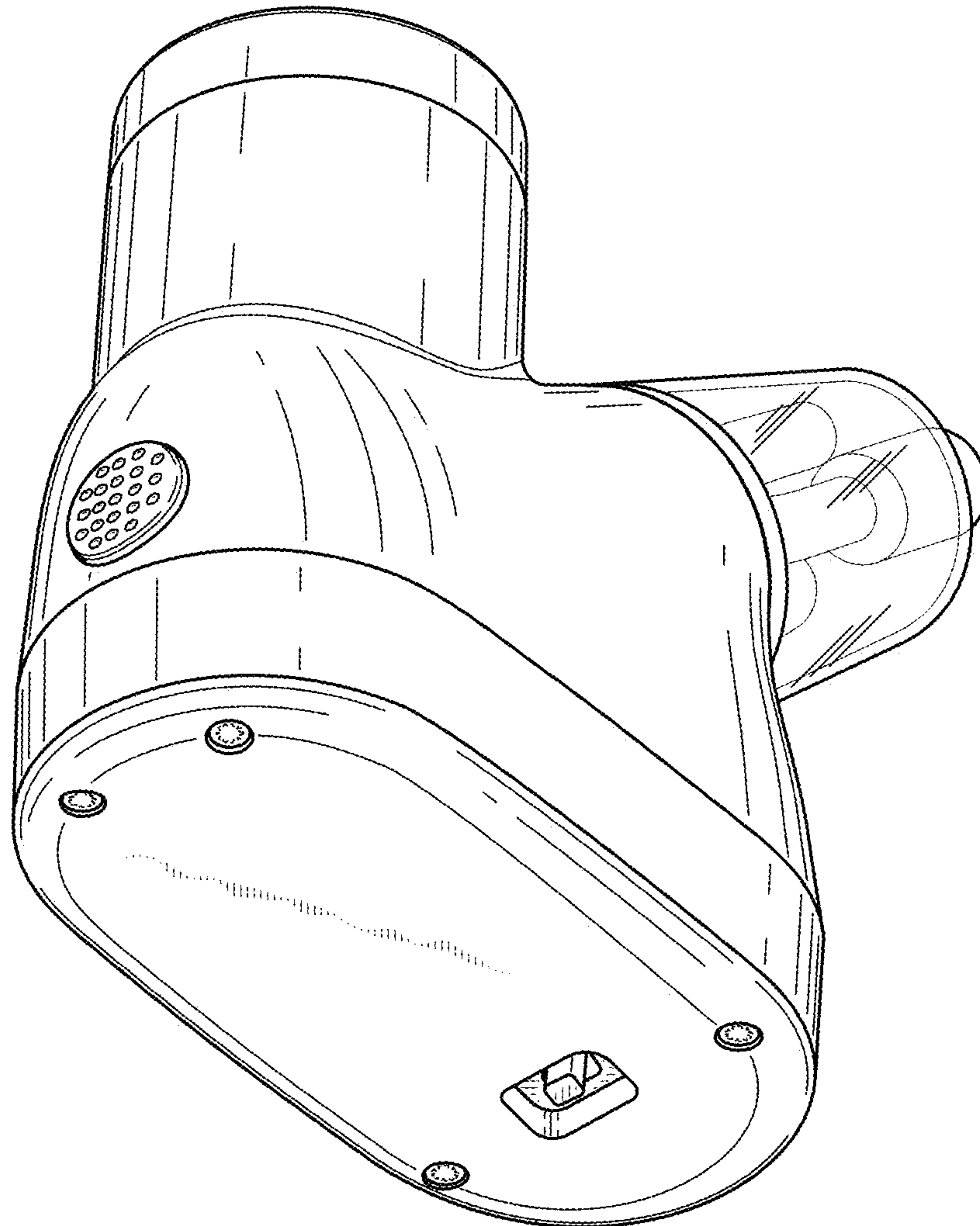


FIG. 8