



US00D949466S

(12) **United States Design Patent**
Liu

(10) **Patent No.:** **US D949,466 S**
(45) **Date of Patent:** **** Apr. 19, 2022**

(54) **ELECTRONIC HOOKAH**
(71) Applicant: **Shenzhen Eigate Technology Co., Ltd.**, Shenzhen (CN)
(72) Inventor: **Tuanfang Liu**, Shenzhen (CN)
(73) Assignee: **SHENZHEN EIGATE TECHNOLOGY CO., LTD.**, Shenzhen (CN)

D838,410 S * 1/2019 Reimann D27/162
D846,187 S * 4/2019 Hoch D27/162
D854,739 S * 7/2019 Li D27/162
D854,740 S * 7/2019 Opp D27/162
D877,409 S * 3/2020 Jiang D27/162
D887,540 S * 6/2020 Bhardwaj D23/360
D895,894 S * 9/2020 Bajpai D27/194
D909,665 S * 2/2021 Volodarsky D27/162
D914,961 S * 3/2021 Li D27/162
D916,364 S * 4/2021 Li D27/162

* cited by examiner

(**) Term: **15 Years**

Primary Examiner — Rebecca Tsehaye

(21) Appl. No.: **29/743,129**

(74) *Attorney, Agent, or Firm* — Matthias Scholl P.C.;
Matthias Scholl

(22) Filed: **Jul. 19, 2020**

(30) **Foreign Application Priority Data**

Jan. 19, 2020 (CN) 202030036605.2

(51) **LOC (13) Cl.** **27-02**

(52) **U.S. Cl.**
USPC **D27/162**

(58) **Field of Classification Search**
USPC D27/100, 103, 162–165, 167, 169, 172,
D27/180, 183, 194; D23/360
CPC A24F 1/30; A24F 1/02; A24F 1/00; A24F
47/008; A24F 47/002; A61M 11/00
See application file for complete search history.

(56) **References Cited**

U.S. PATENT DOCUMENTS

D261,439 S * 10/1981 Sher D27/162
D728,854 S * 5/2015 Siniakov D27/162

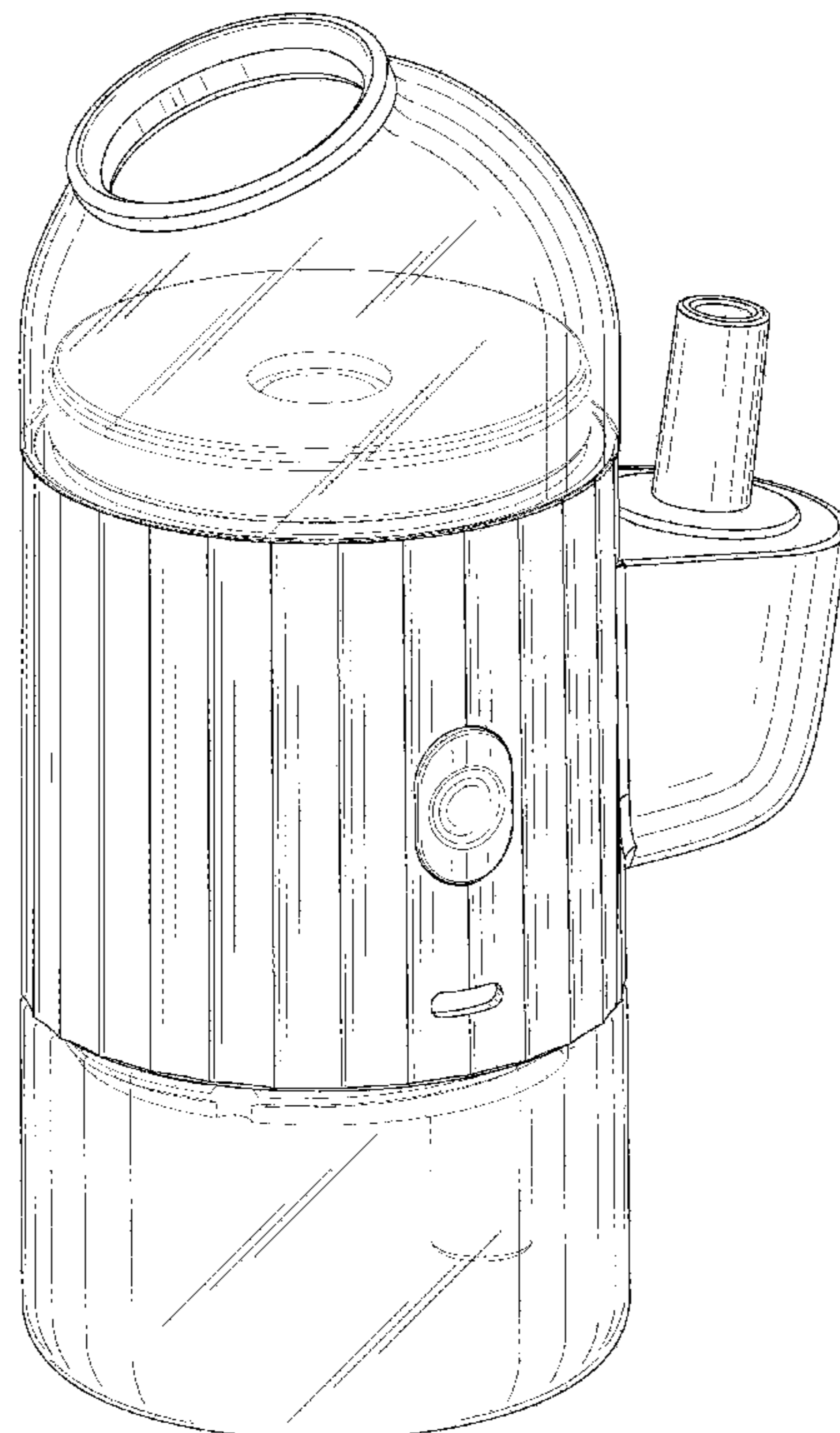
(57) **CLAIM**

The ornamental design for an electronic hookah, as shown and described.

DESCRIPTION

FIG. 1 is a front elevation view of an electronic hookah;
FIG. 2 is a rear elevation view thereof;
FIG. 3 is a left-side elevation view thereof;
FIG. 4 is a right-side elevation view thereof;
FIG. 5 is a top plan view thereof;
FIG. 6 is a bottom plan view thereof;
FIG. 7 is a perspective view thereof; and,
FIG. 8 is another perspective view thereof.

1 Claim, 8 Drawing Sheets



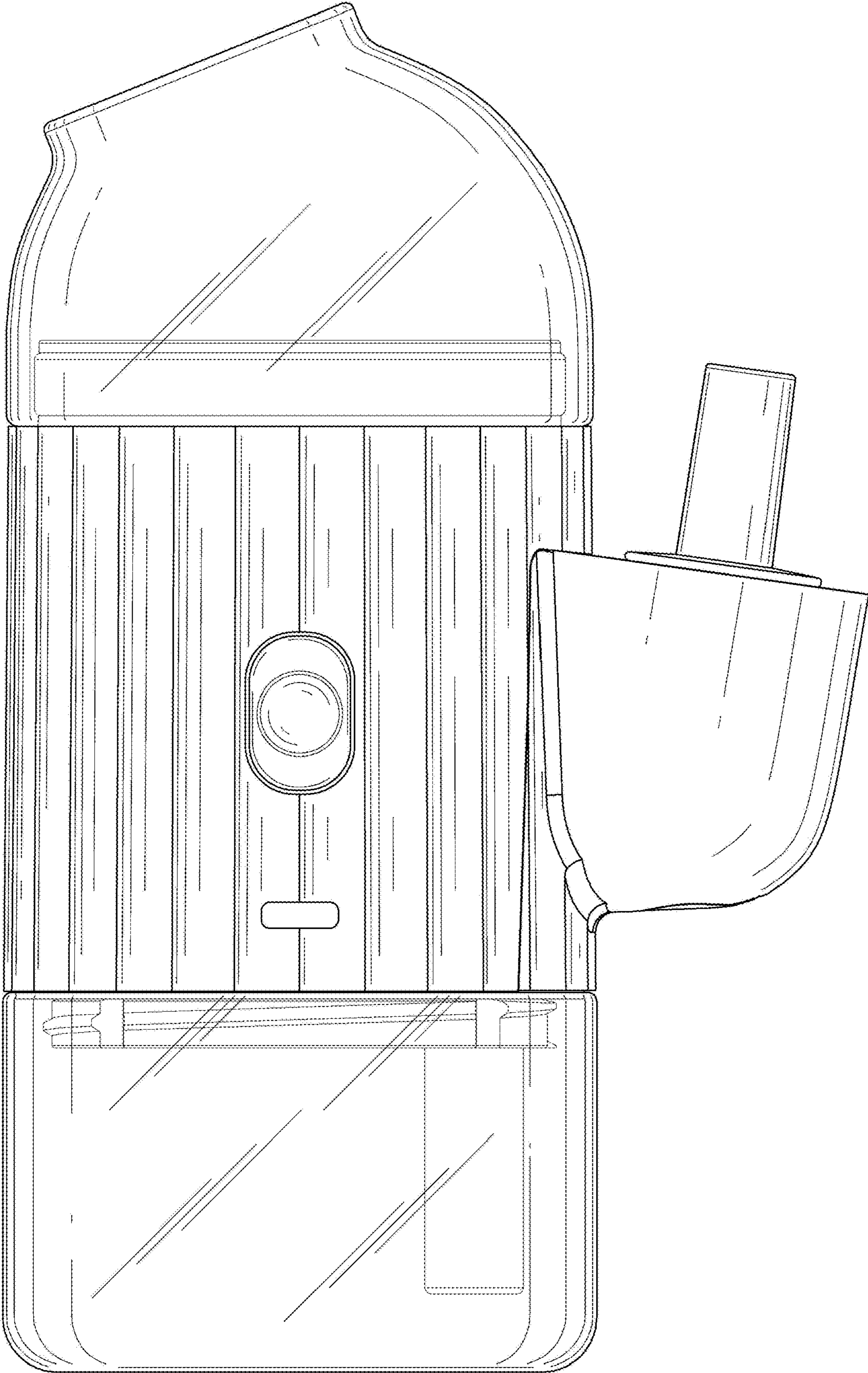


FIG. 1

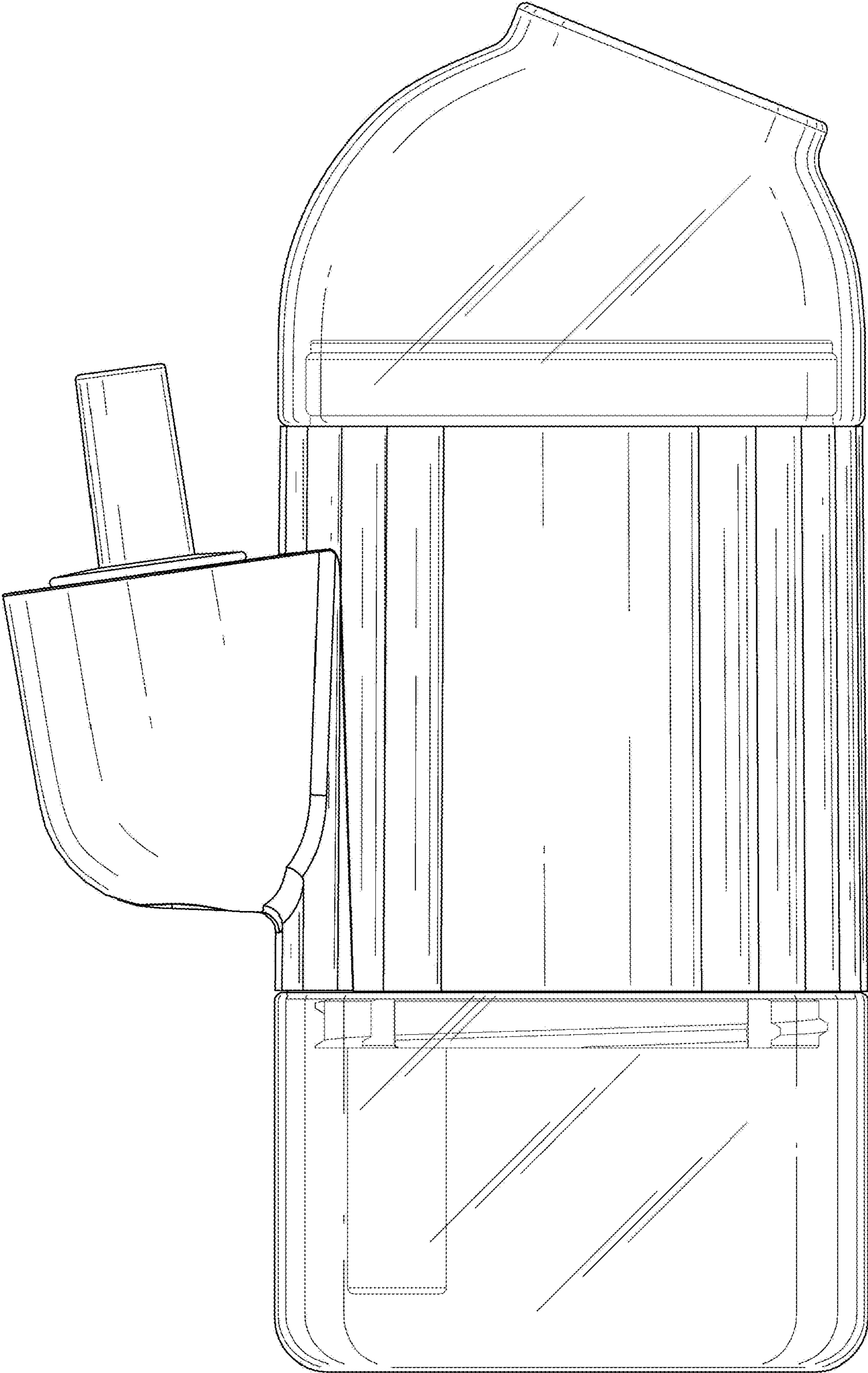


FIG. 2

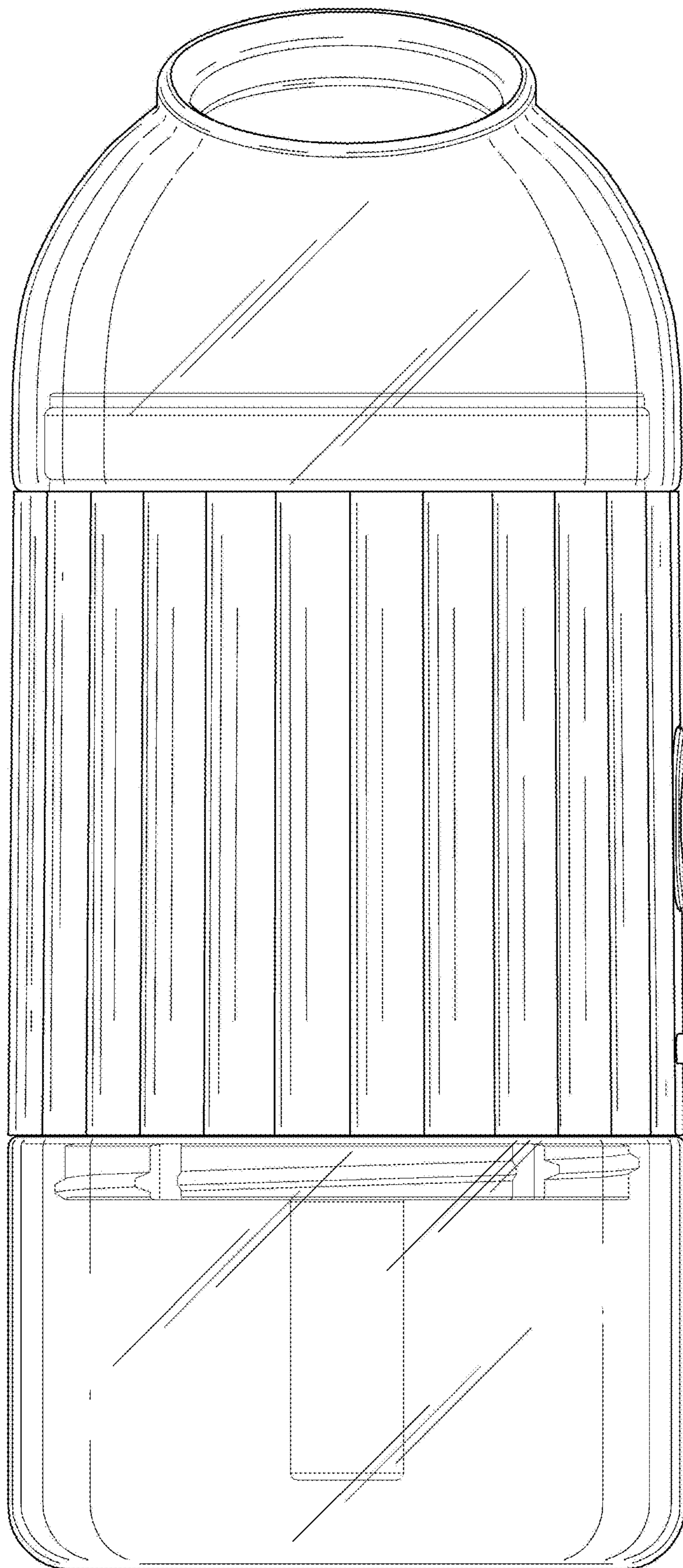


FIG. 3

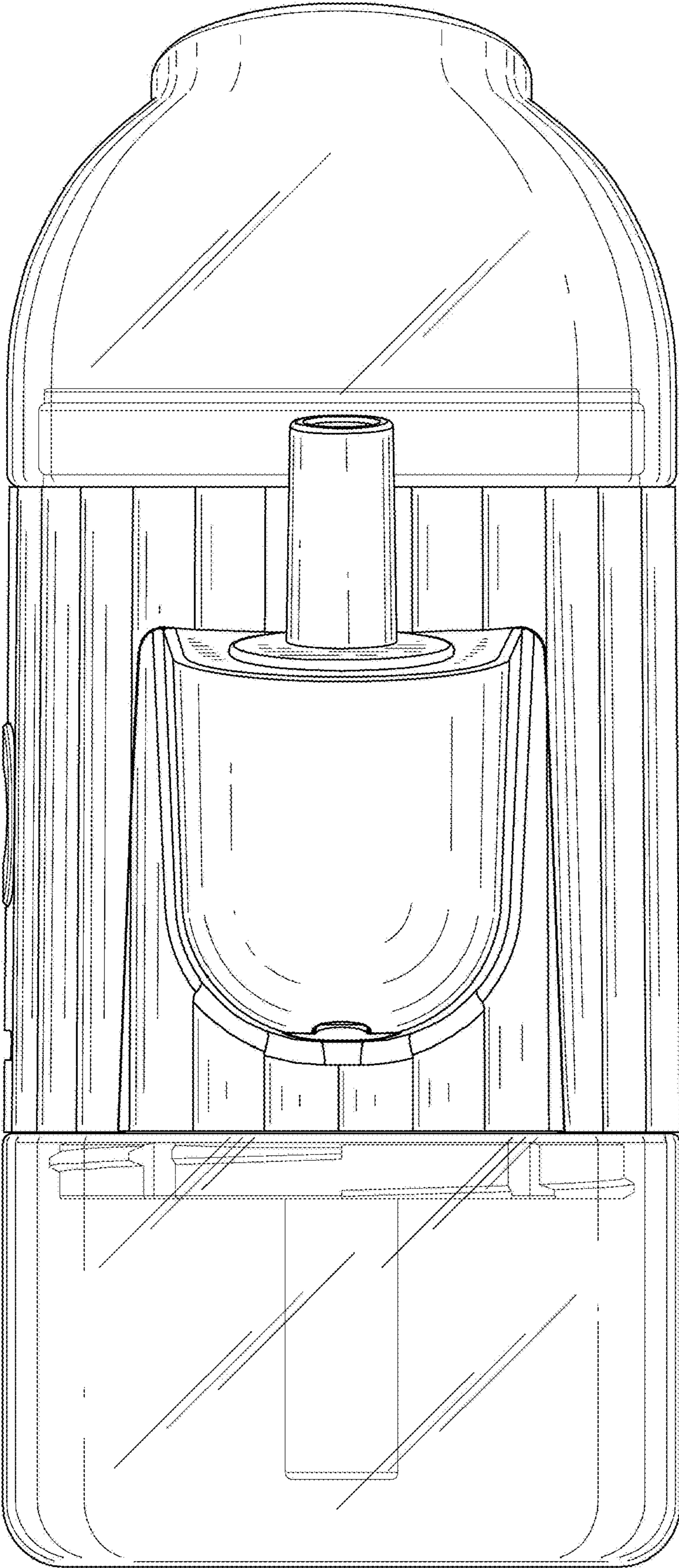


FIG. 4

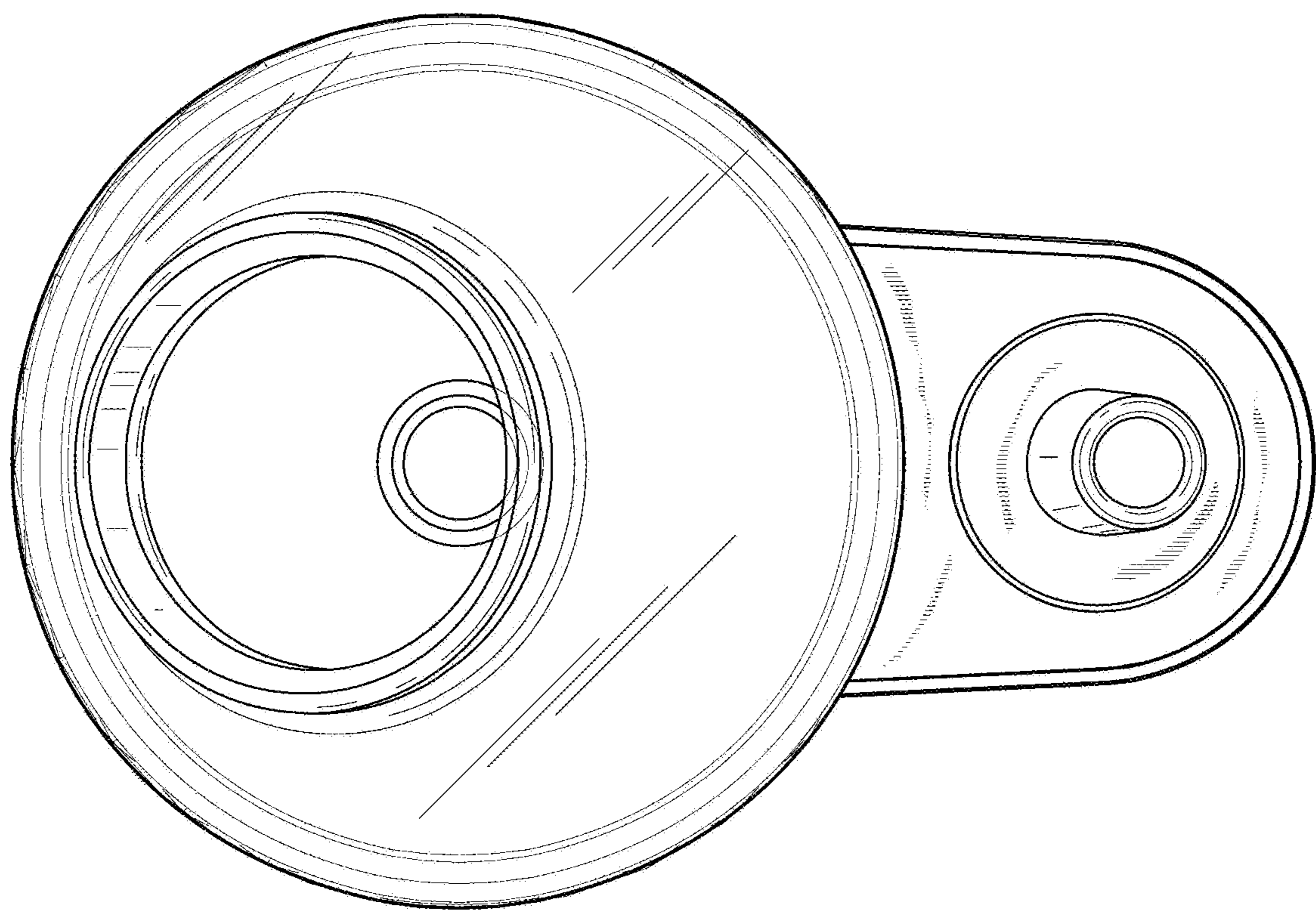


FIG. 5

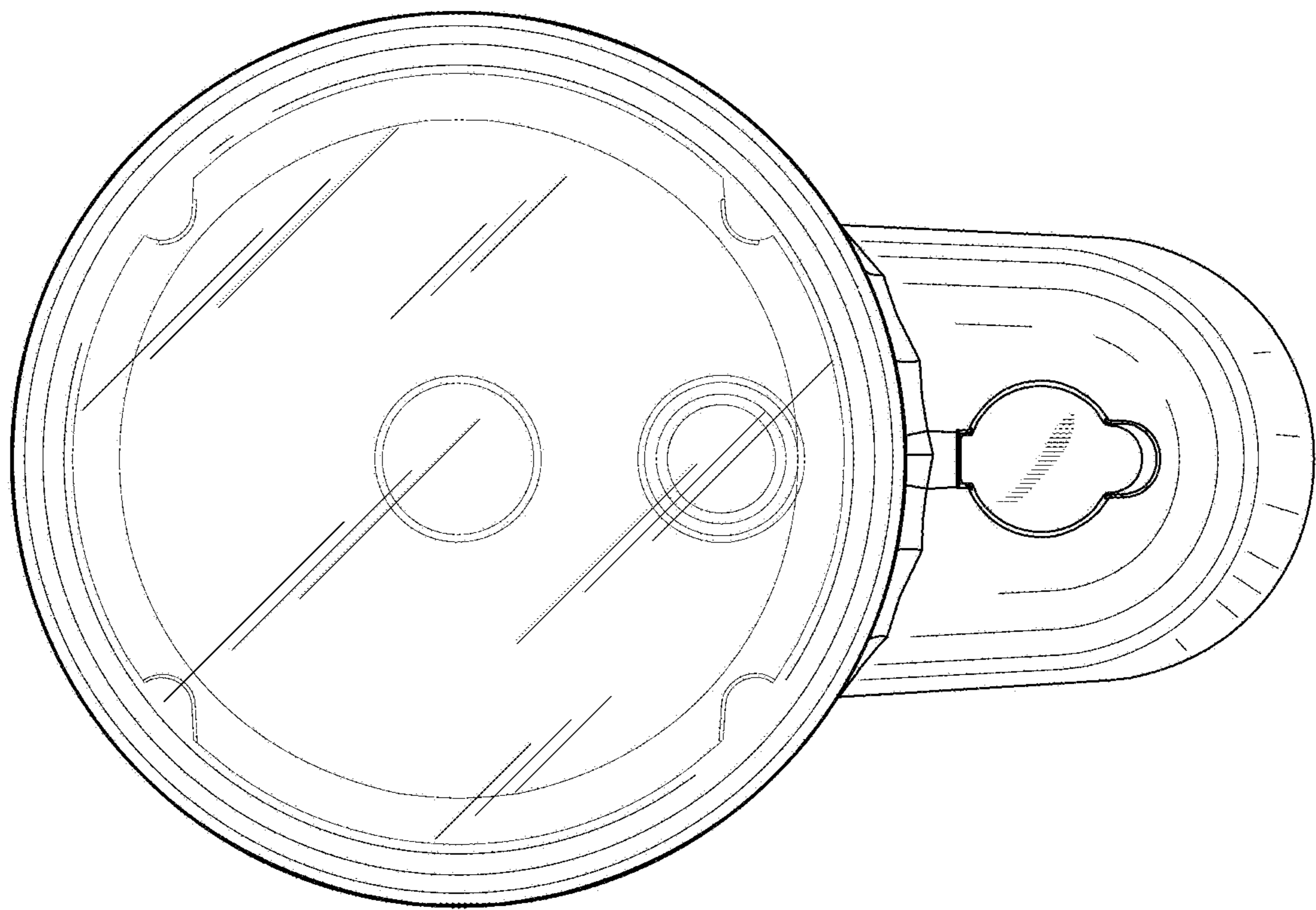


FIG. 6

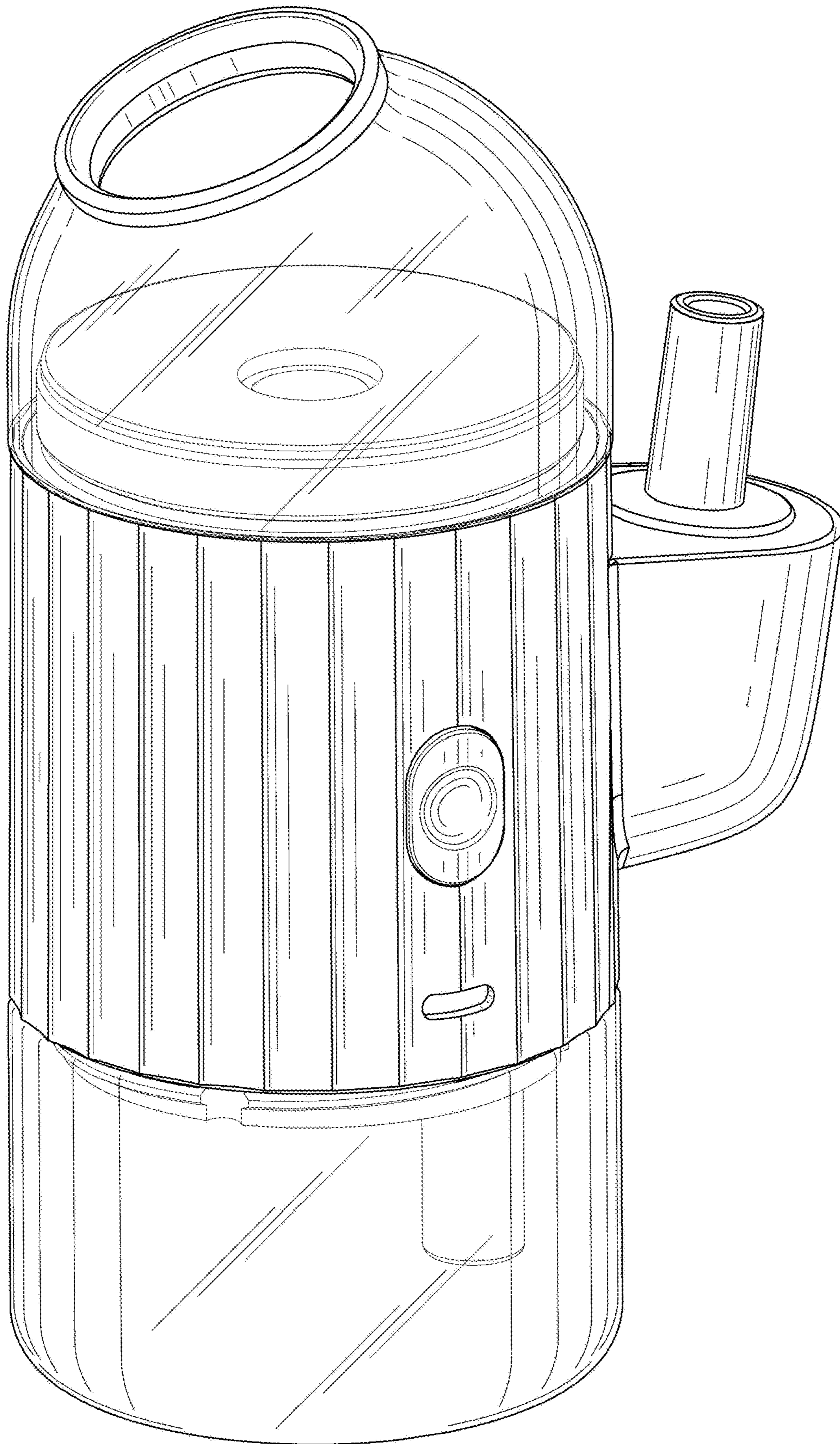


FIG. 7

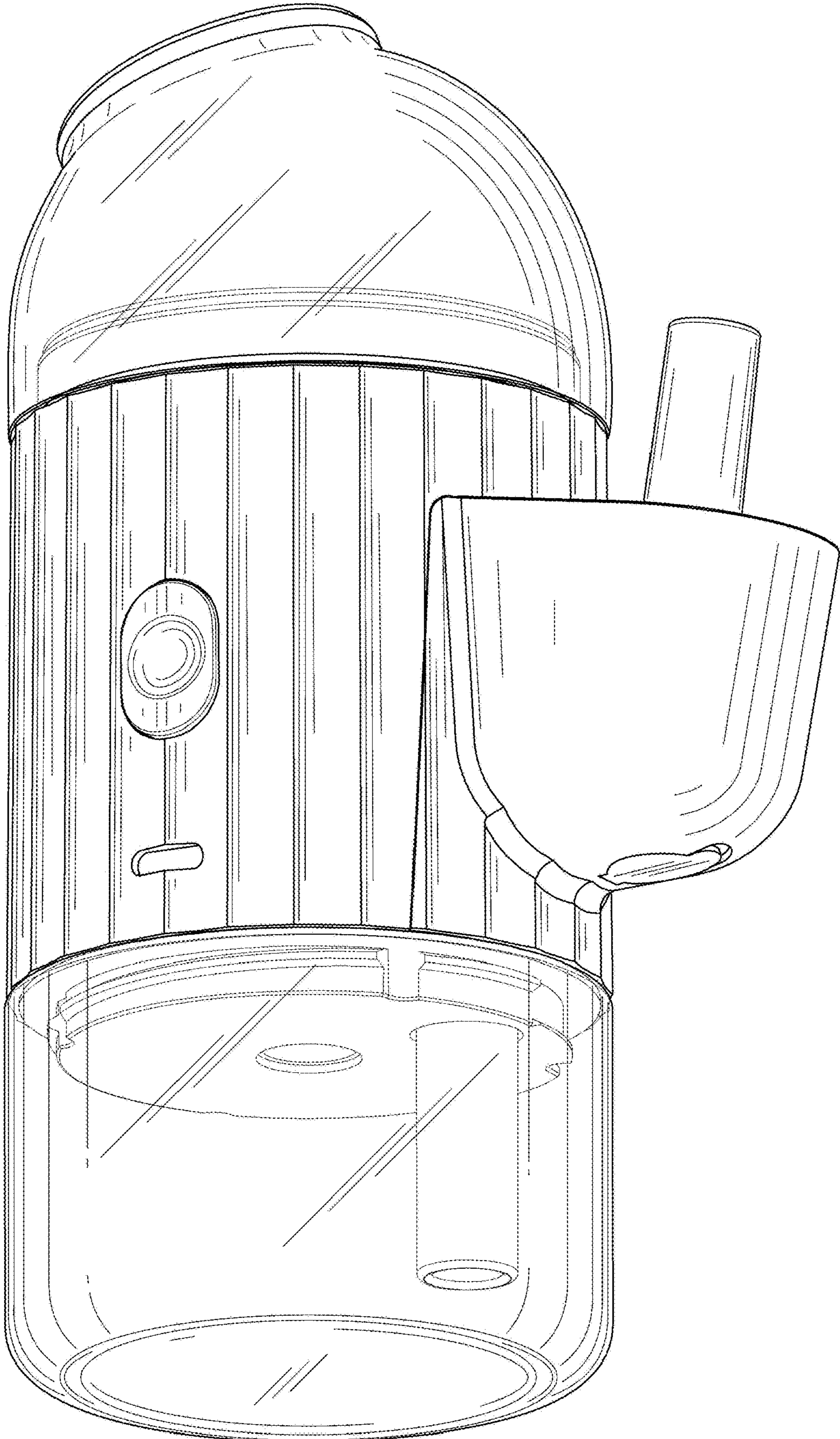


FIG. 8