



US00D949463S

(12) **United States Design Patent** (10) **Patent No.:** **US D949,463 S**
Guo (45) **Date of Patent:** **** Apr. 19, 2022**

(54) **ELECTRONIC VAPORIZER**
(71) Applicant: **Shenzhen Itsuwa Technology Company Limited, Shenzhen (CN)**
(72) Inventor: **Ruyun Guo, Shenzhen (CN)**
(**) Term: **15 Years**
(21) Appl. No.: **29/740,308**
(22) Filed: **Jul. 2, 2020**

D855,881 S 8/2019 Hawes et al.
D860,516 S * 9/2019 Qiu D27/101
D864,476 S * 10/2019 Qiu D27/162
D870,959 S 12/2019 Leon Duque et al.
D874,059 S 1/2020 Bailey et al.
D874,718 S * 2/2020 Qiu D27/162
D876,004 S * 2/2020 Wang D27/101
D883,566 S 5/2020 Filleul et al.
D892,397 S * 8/2020 Li D27/162
D901,761 S * 11/2020 Zhu D27/162
D902,475 S * 11/2020 Liu D27/162
D905,329 S * 12/2020 Wang D27/162

(Continued)

(30) **Foreign Application Priority Data**
May 16, 2020 (CN) 202030225831.5
May 27, 2020 (CN) 202030251847.3
(51) **LOC (13) Cl.** **27-02**
(52) **U.S. Cl.**
USPC **D27/162**
(58) **Field of Classification Search**
USPC D27/162, 100, 101, 163–165, 169, 172,
D27/180, 183, 185–194; D23/360, 366;
D24/110, 110.5
CPC A24F 47/008; A24F 47/006; A24F 47/002;
A24F 47/004; A61M 15/00; A61M 15/06;
A61M 15/0001; A61M 15/0021
See application file for complete search history.

OTHER PUBLICATIONS

Electronic Vaporizer By: RELX found on line Aug. 14, 2021
https://dijshopph.com/products/relx-essential-device-green.*

Primary Examiner — Rebecca Tsehaye
(74) *Attorney, Agent, or Firm* — Clement Cheng

(57) **CLAIM**

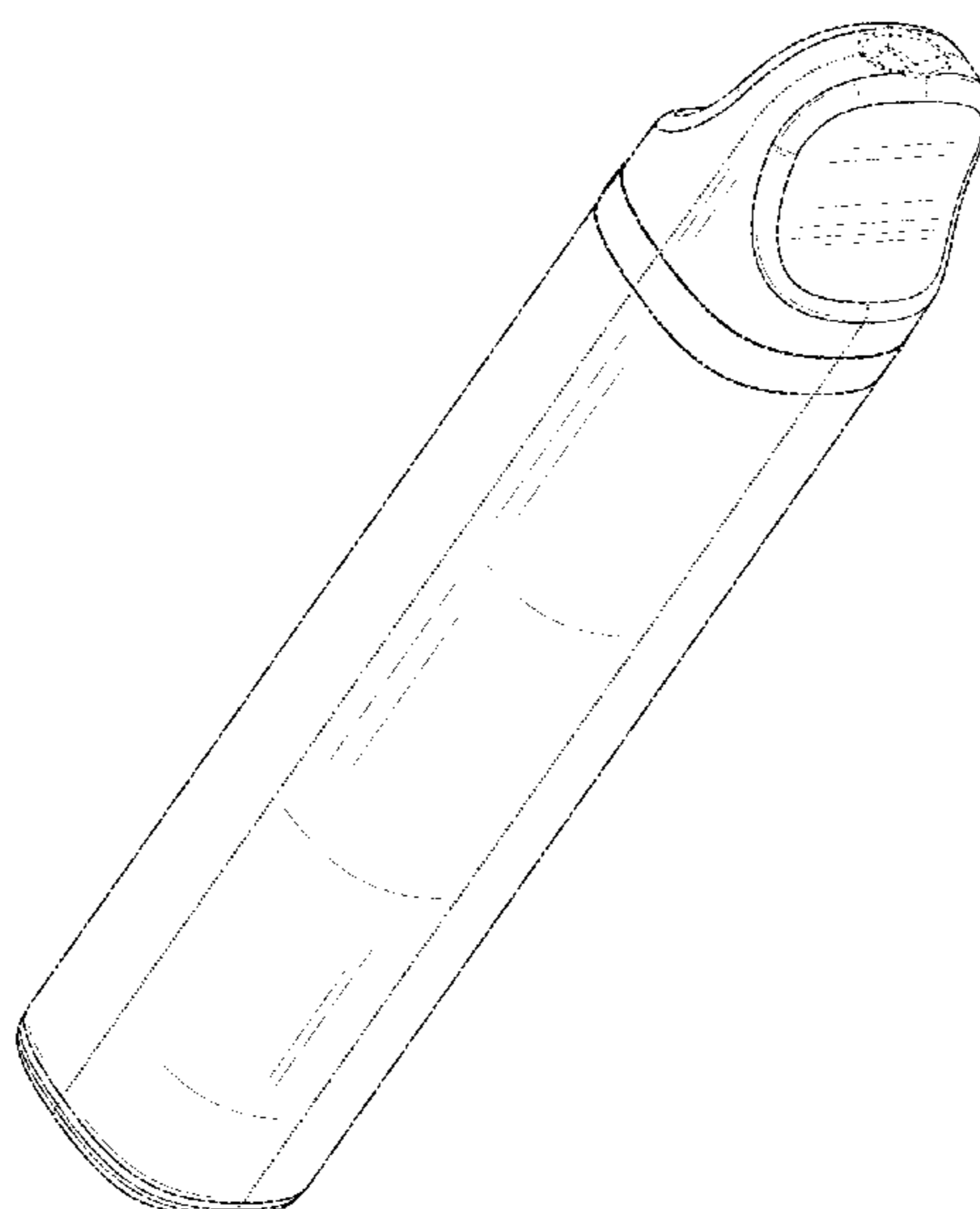
The ornamental design for an electronic vaporizer, as shown and described.

DESCRIPTION

FIG. 1 is a perspective view.
FIG. 2 is a front view.
FIG. 3 is a back view.
FIG. 4 is a right side view.
FIG. 5 is a left side view.
FIG. 6 is a top view.
FIG. 7 is a bottom view; and,
FIG. 8 is a bottom perspective view.
The broken lines in the drawings depict portions of the electronic vaporizer that form no part of the claimed design. The broken lines immediately adjacent shaded surfaces forms the bounds of the claimed design; all other broken lines depict portions of the electronic vaporizer that form no part thereof.

(56) **References Cited**
U.S. PATENT DOCUMENTS
D762,003 S 7/2016 Lomeli
D776,337 S * 1/2017 Levin D27/163
D799,112 S * 10/2017 Qiu D27/101
D799,113 S * 10/2017 Qiu D27/101
D808,580 S 1/2018 Kwitel et al.
D825,834 S * 8/2018 Chen D27/101
D829,980 S * 10/2018 Qiu D27/162
D833,063 S * 11/2018 Qiu D27/101
D834,246 S * 11/2018 Qiu D27/162
D847,419 S 4/2019 Hawes et al.
D851,827 S * 6/2019 Clark D27/162

1 Claim, 5 Drawing Sheets



(56)

References Cited

U.S. PATENT DOCUMENTS

D908,952 S *	1/2021	Guo	D27/101
D919,172 S *	5/2021	Zu	D27/162
D919,878 S *	5/2021	Gao	D27/162
D928,399 S *	8/2021	Chen	D27/162
D929,652 S *	8/2021	He	D27/162
D936,279 S *	11/2021	Israel	D27/162

* cited by examiner

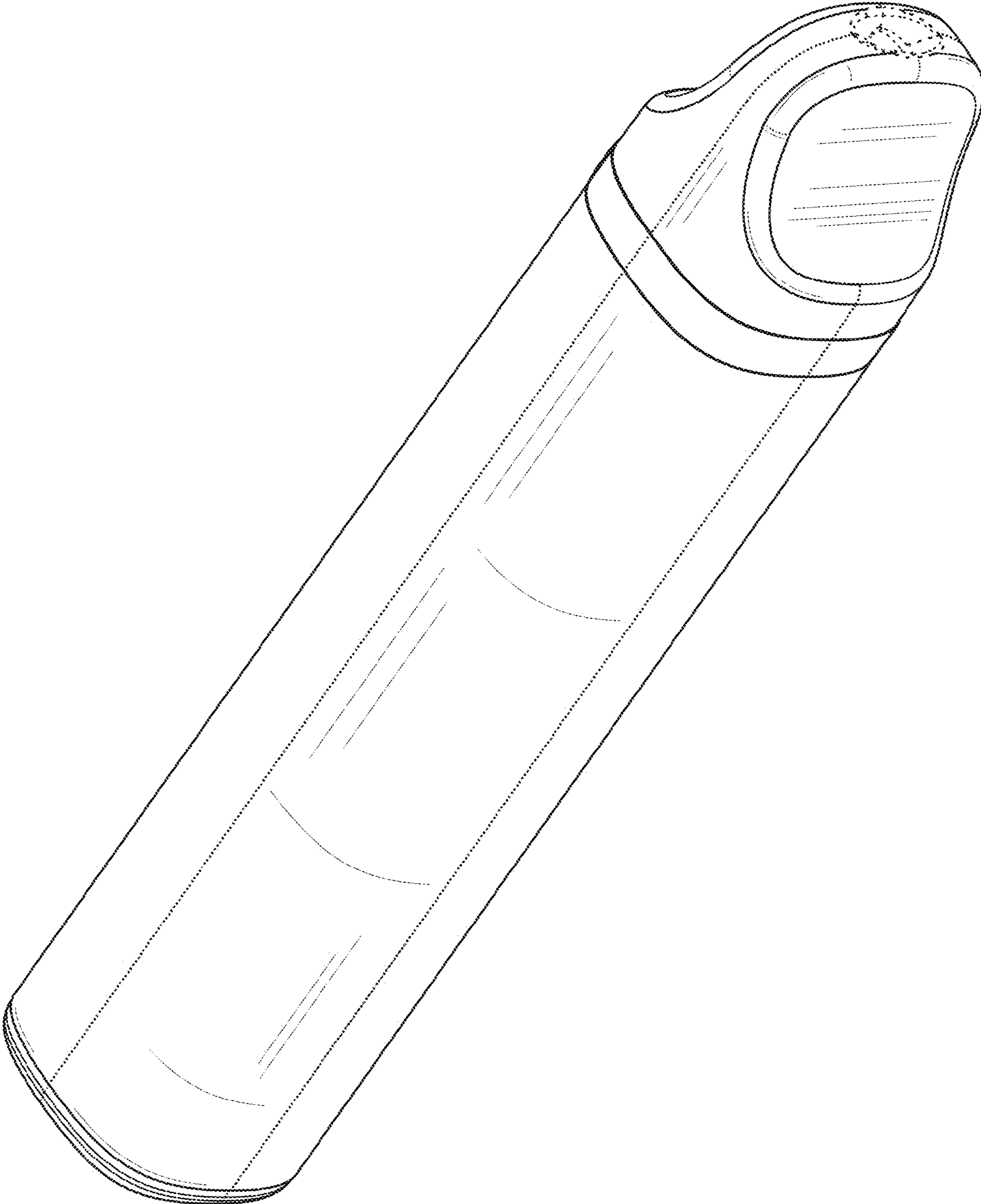


Fig. 1

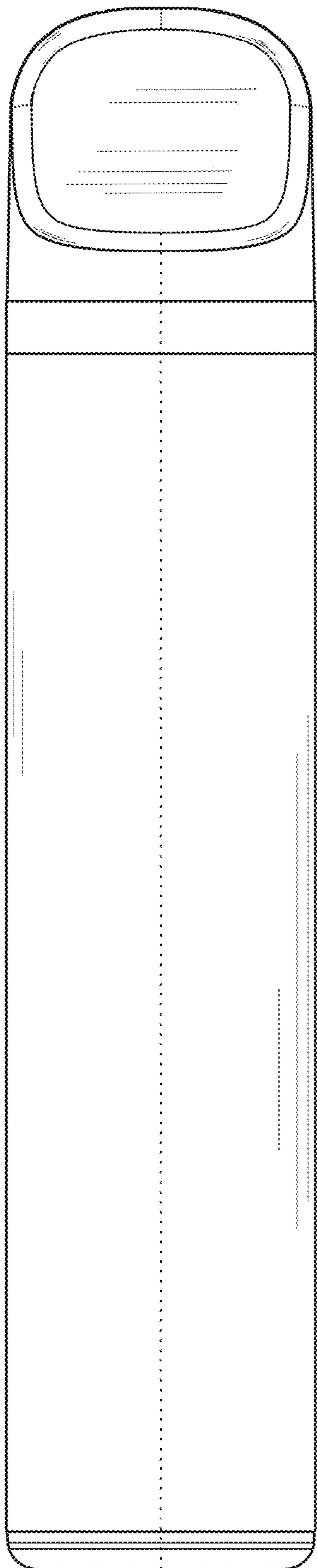


Fig. 2

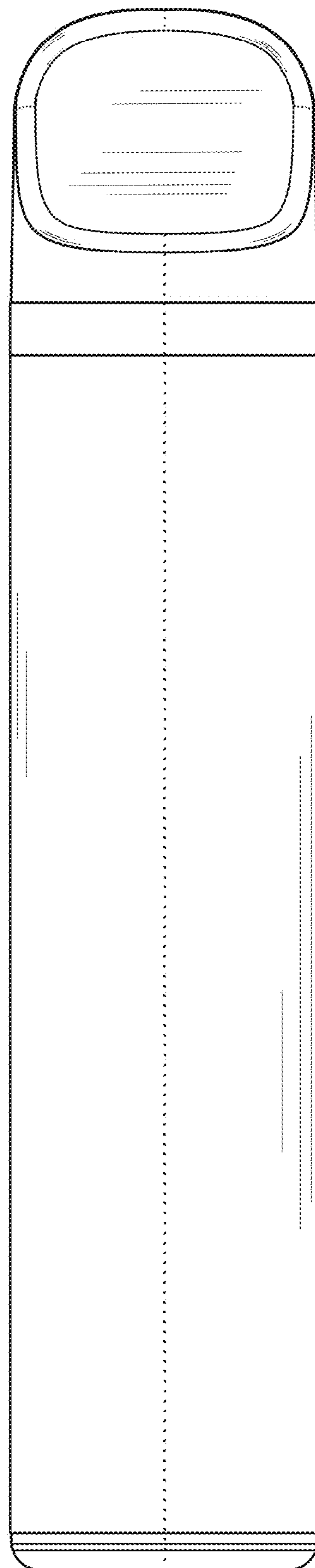


Fig. 4

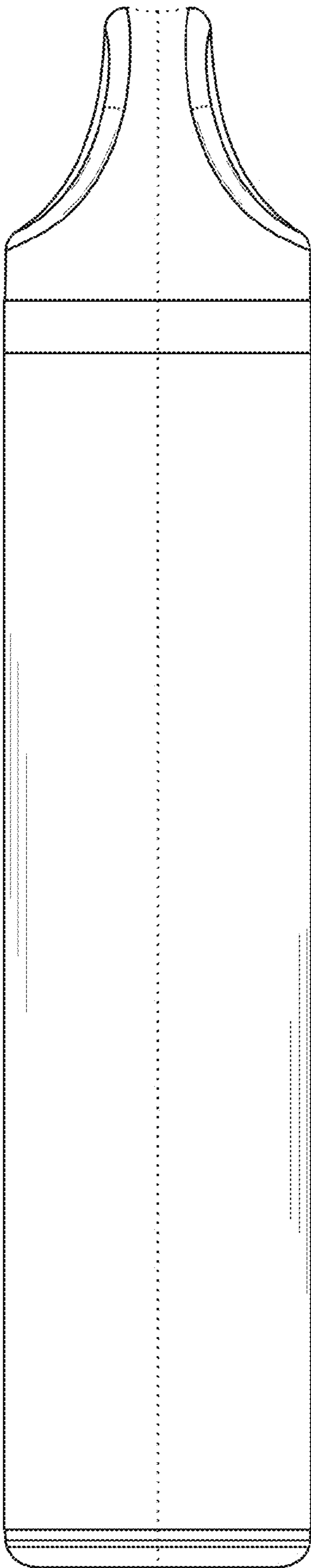


Fig. 3

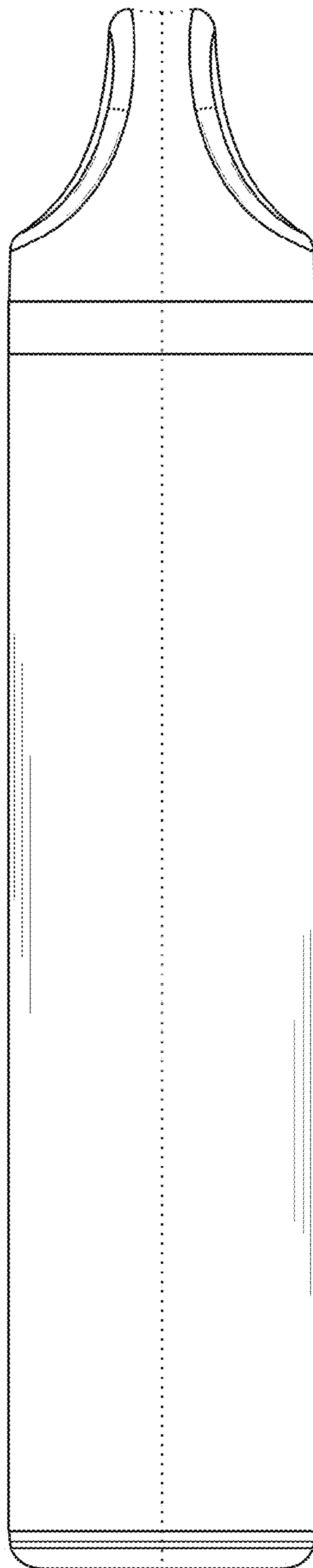


Fig. 5

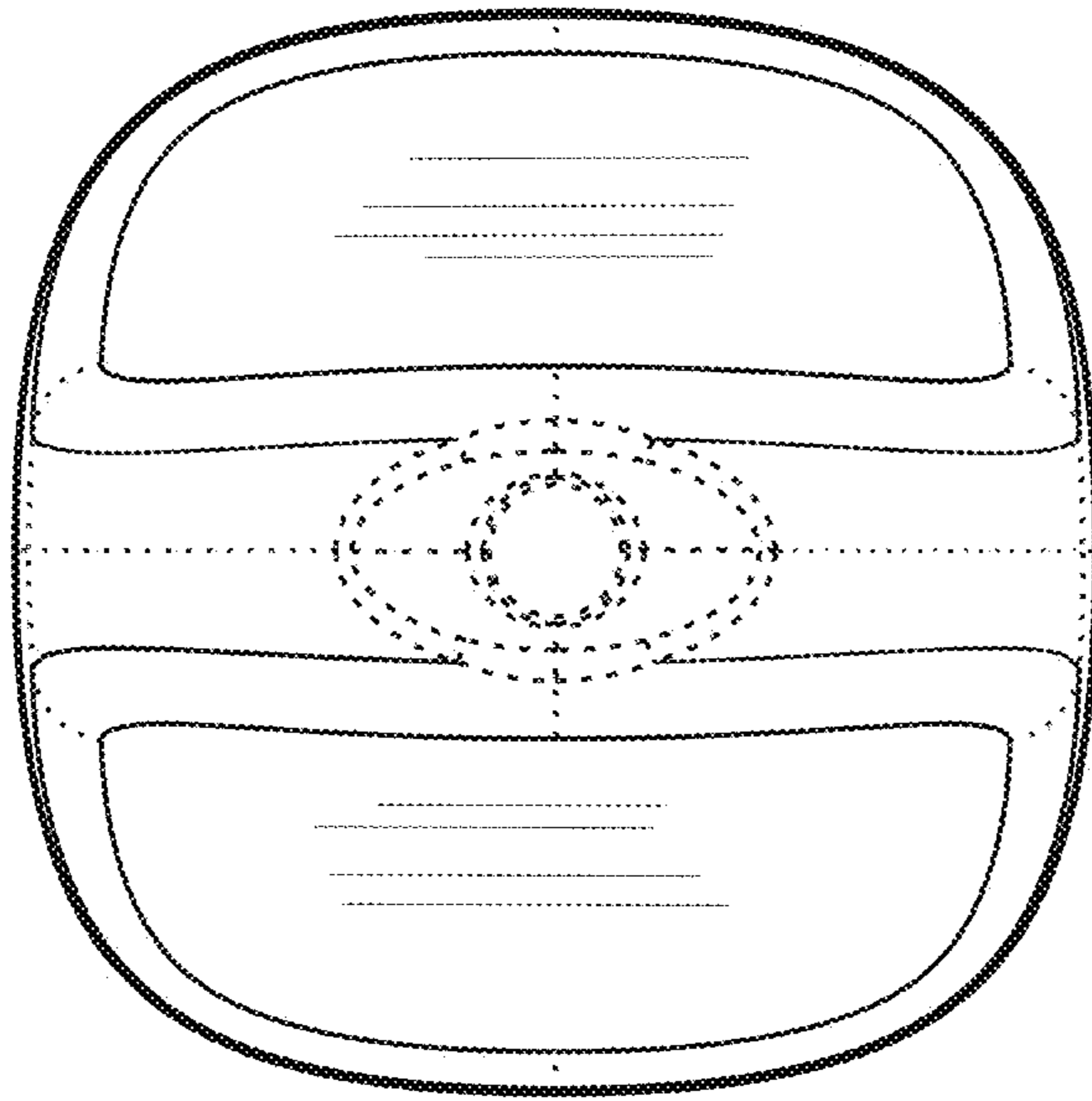


Fig. 6

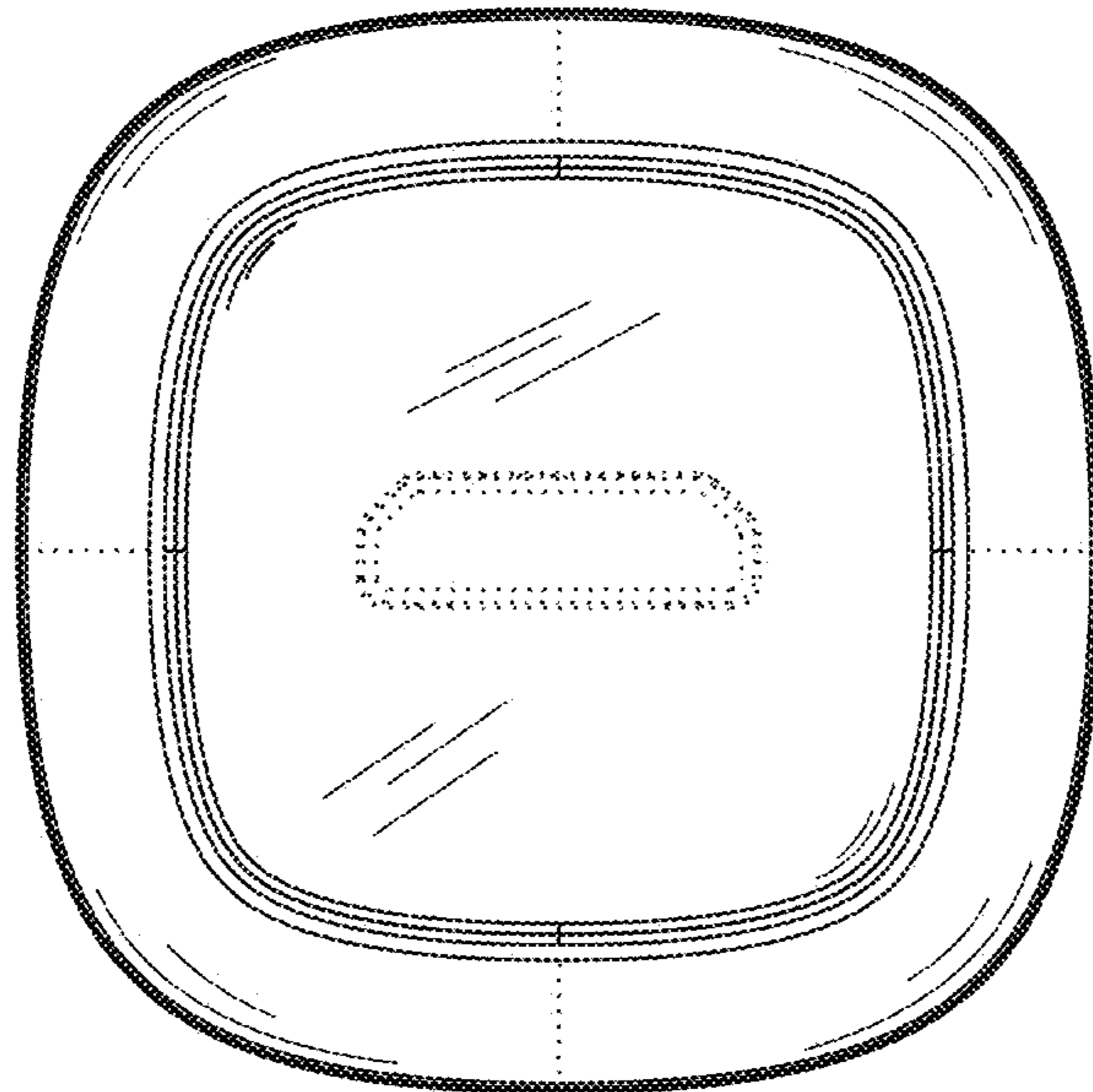


Fig. 7

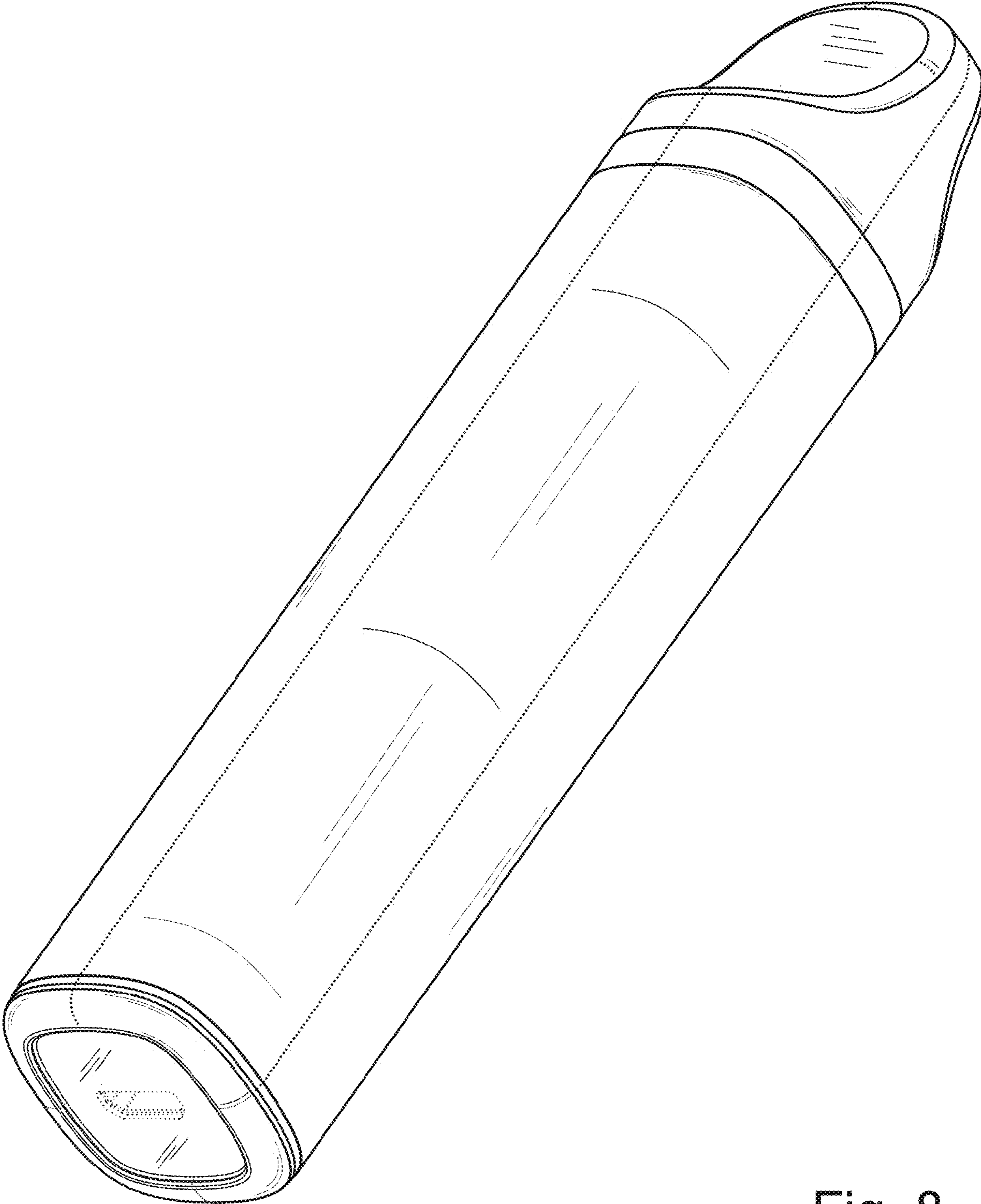


Fig. 8