



US00D949460S

(12) **United States Design Patent**
Cheng

(10) **Patent No.:** **US D949,460 S**

(45) **Date of Patent:** **** Apr. 19, 2022**

(54) **LIGHTER CASE**

OTHER PUBLICATIONS

(71) Applicant: **Hai Cheng**, Wenzhou (CN)

Waterproof Cigarette Case with Lighter By: Skywin found on Amazon Oct. 7, 2021 https://www.amazon.com/Skywin-Waterproof-Cigarette-Case-Lighter/dp/B08GCXMK8N/ref=sr_1_Oct.8,2020.*

(72) Inventor: **Hai Cheng**, Wenzhou (CN)

* cited by examiner

(**) Term: **15 Years**

Primary Examiner — Rebecca Tsehaye

(21) Appl. No.: **29/749,314**

(22) Filed: **Sep. 4, 2020**

(51) **LOC (13) Cl.** **27-05**

(57) **CLAIM**

(52) **U.S. Cl.**
USPC **D27/144**

The ornamental design for a lighter case, as shown and described.

(58) **Field of Classification Search**
USPC D27/161, 142, 143, 144, 186–192,
D27/172–175; D3/207, 208, 212
CPC A24F 15/10; A24F 15/18; A24F 15/08;
A24F 15/00

DESCRIPTION

See application file for complete search history.

FIG. 1 is a front perspective view of the lighter case showing my new design;
FIG. 2 is a rear perspective view thereof;
FIG. 3 is a front elevational view thereof;
FIG. 4 is a rear elevational view thereof;
FIG. 5 is a left side elevational view thereof;
FIG. 6 is a right side elevational view thereof;
FIG. 7 is a top plan view thereof; and,
FIG. 8 is a bottom plan view thereof.

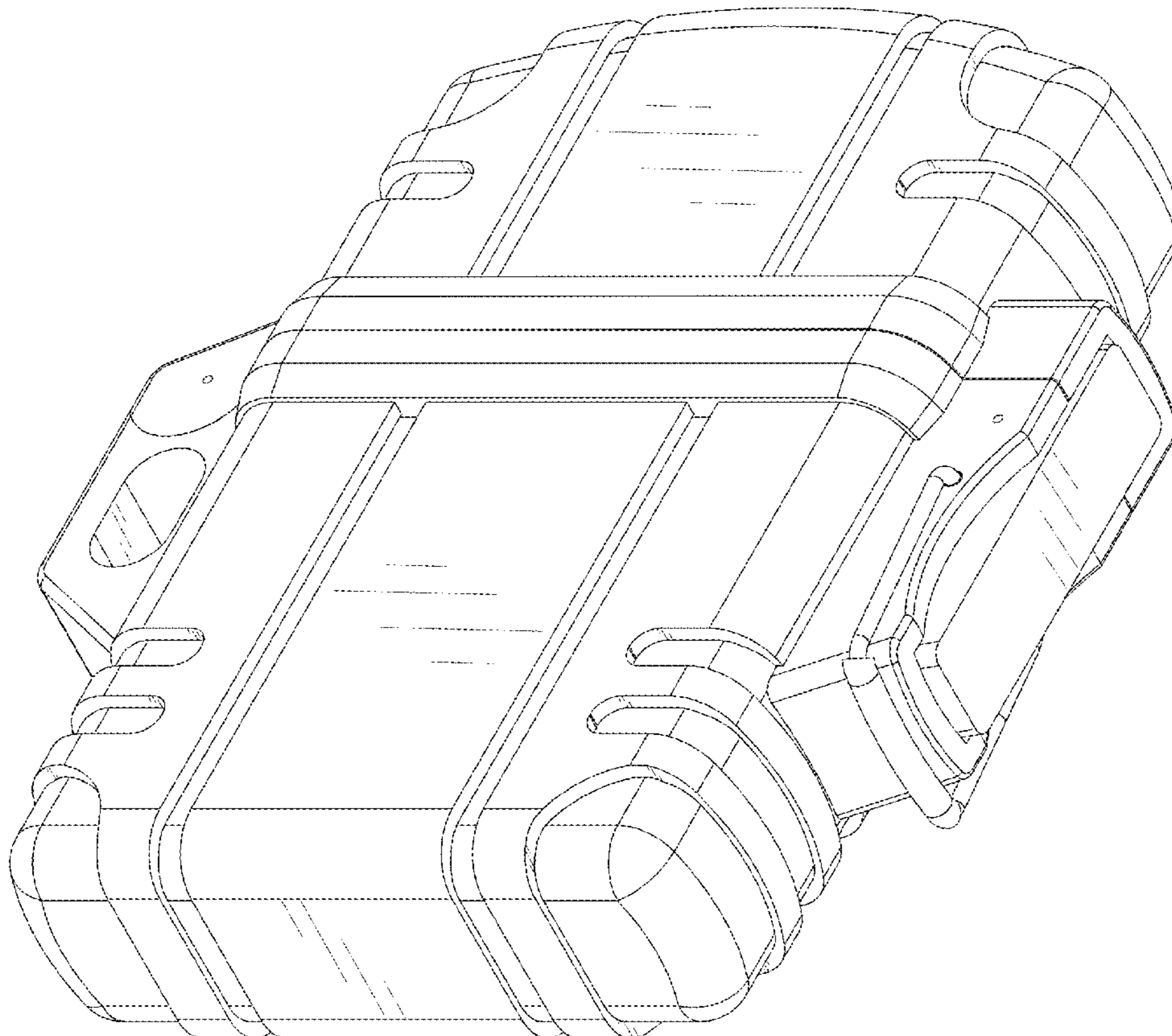
The broken lines in the drawings depict portions of the lighter case that form of the claimed design.

(56) **References Cited**

U.S. PATENT DOCUMENTS

D399,598 S	*	10/1998	Perkins	D27/189
D612,094 S	*	3/2010	Bellamah	D27/189
D634,892 S	*	3/2011	Hein	D27/189
D636,932 S	*	4/2011	de The	D27/189
D683,898 S	*	6/2013	Liu	D27/189
D717,165 S	*	11/2014	Kwak	D9/432
D790,848 S	*	7/2017	Byrd	D3/208
D923,242 S	*	6/2021	Garcia	D27/189

1 Claim, 8 Drawing Sheets



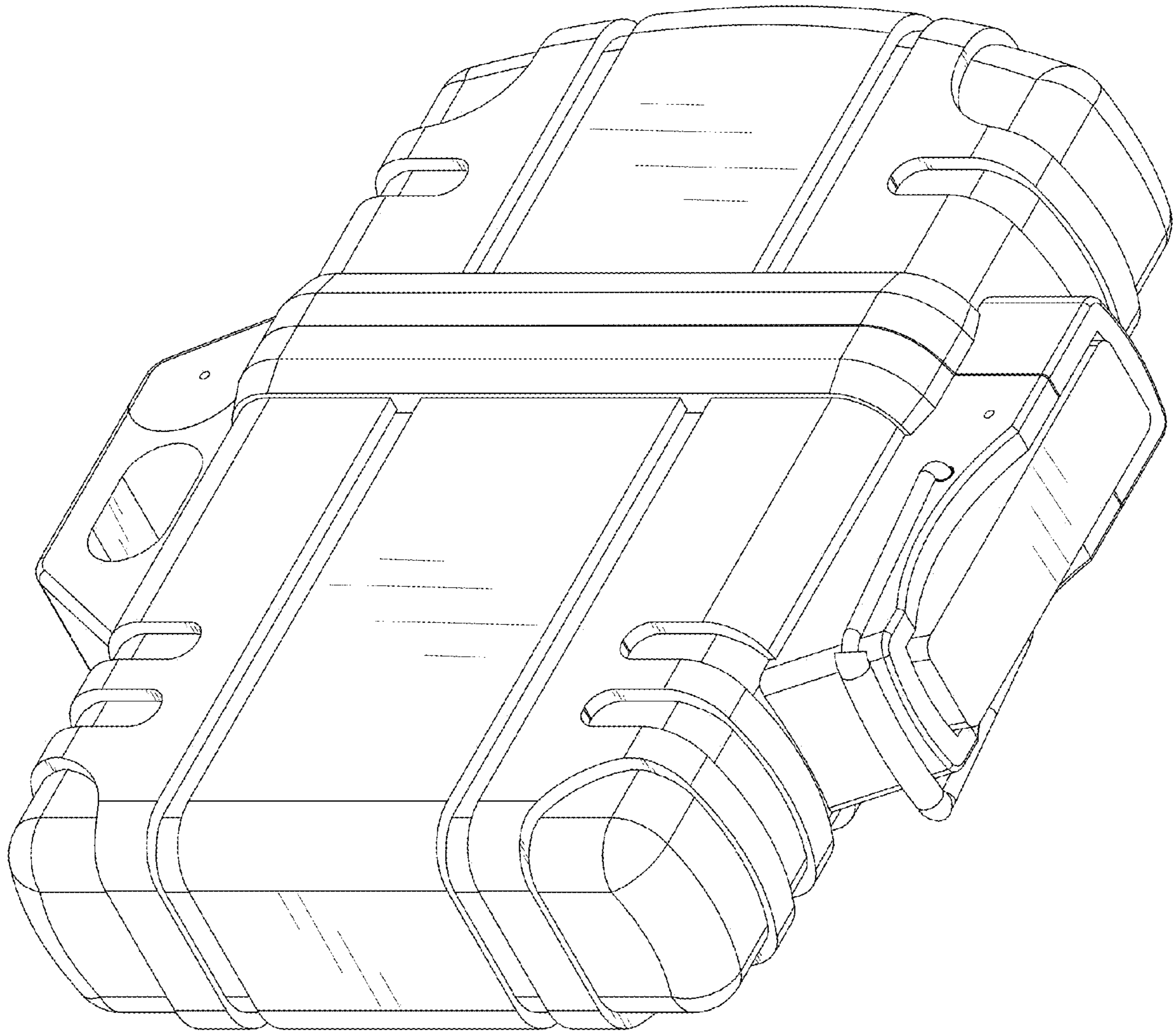


FIG. 1

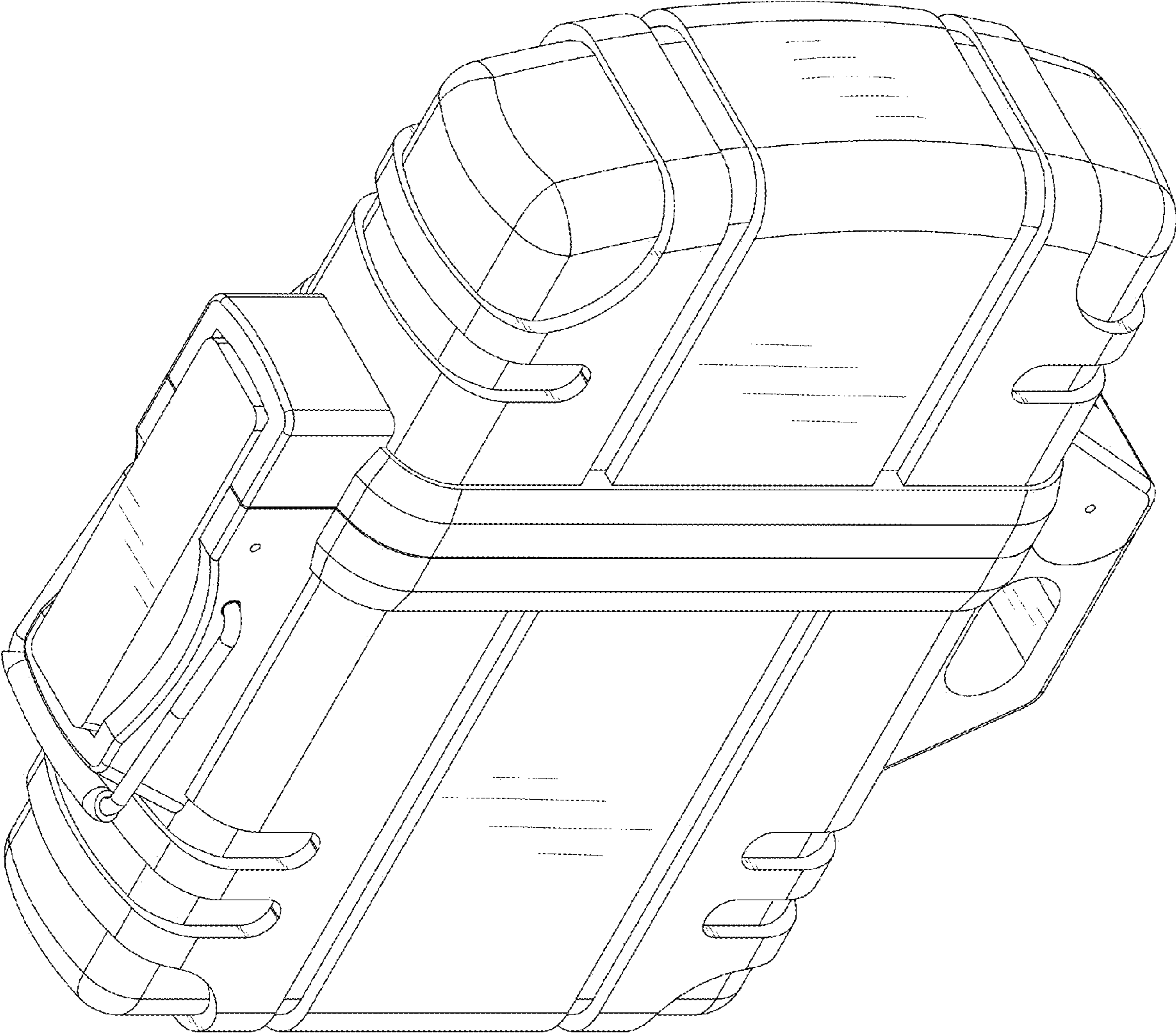


FIG. 2

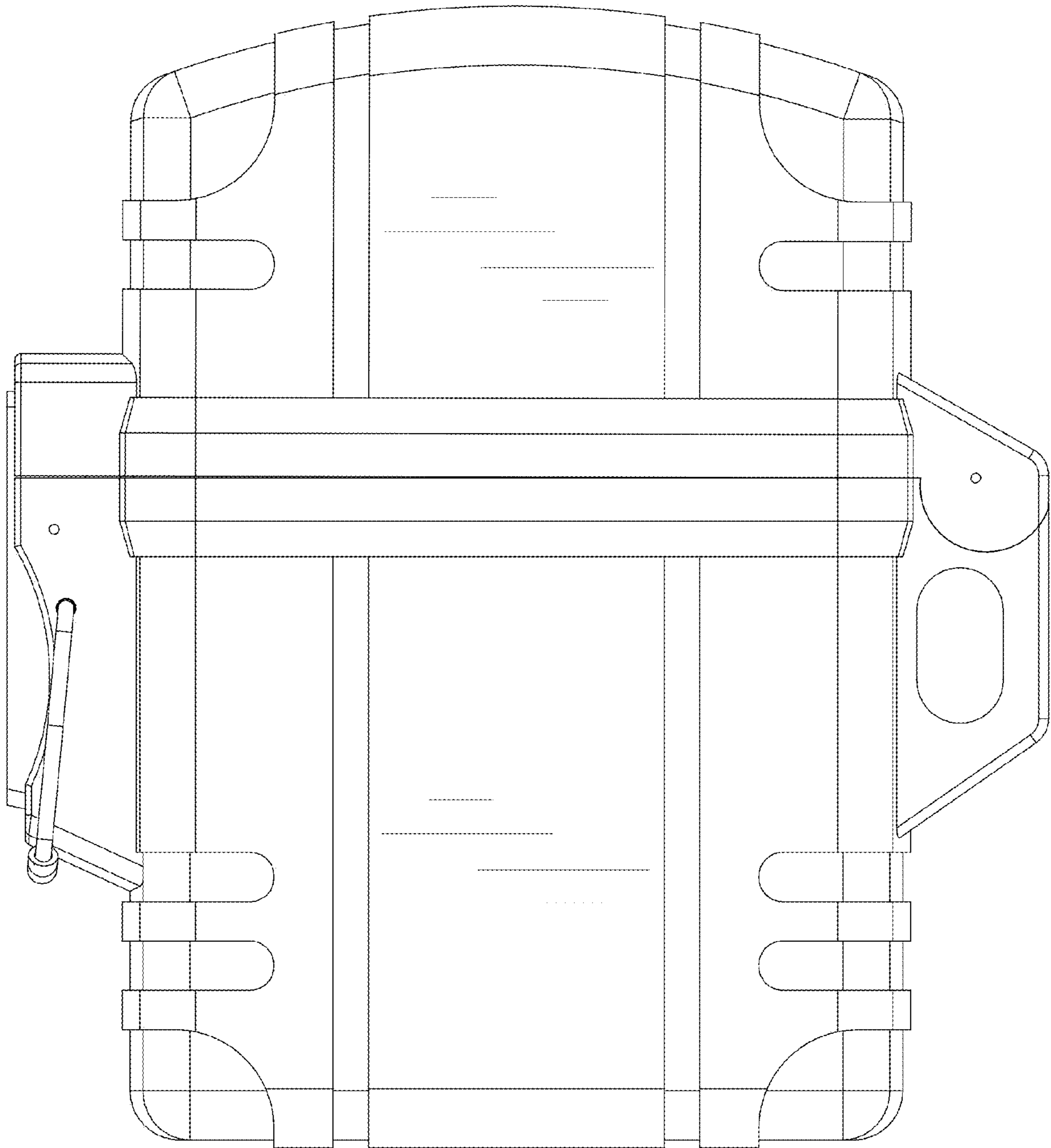


FIG. 3

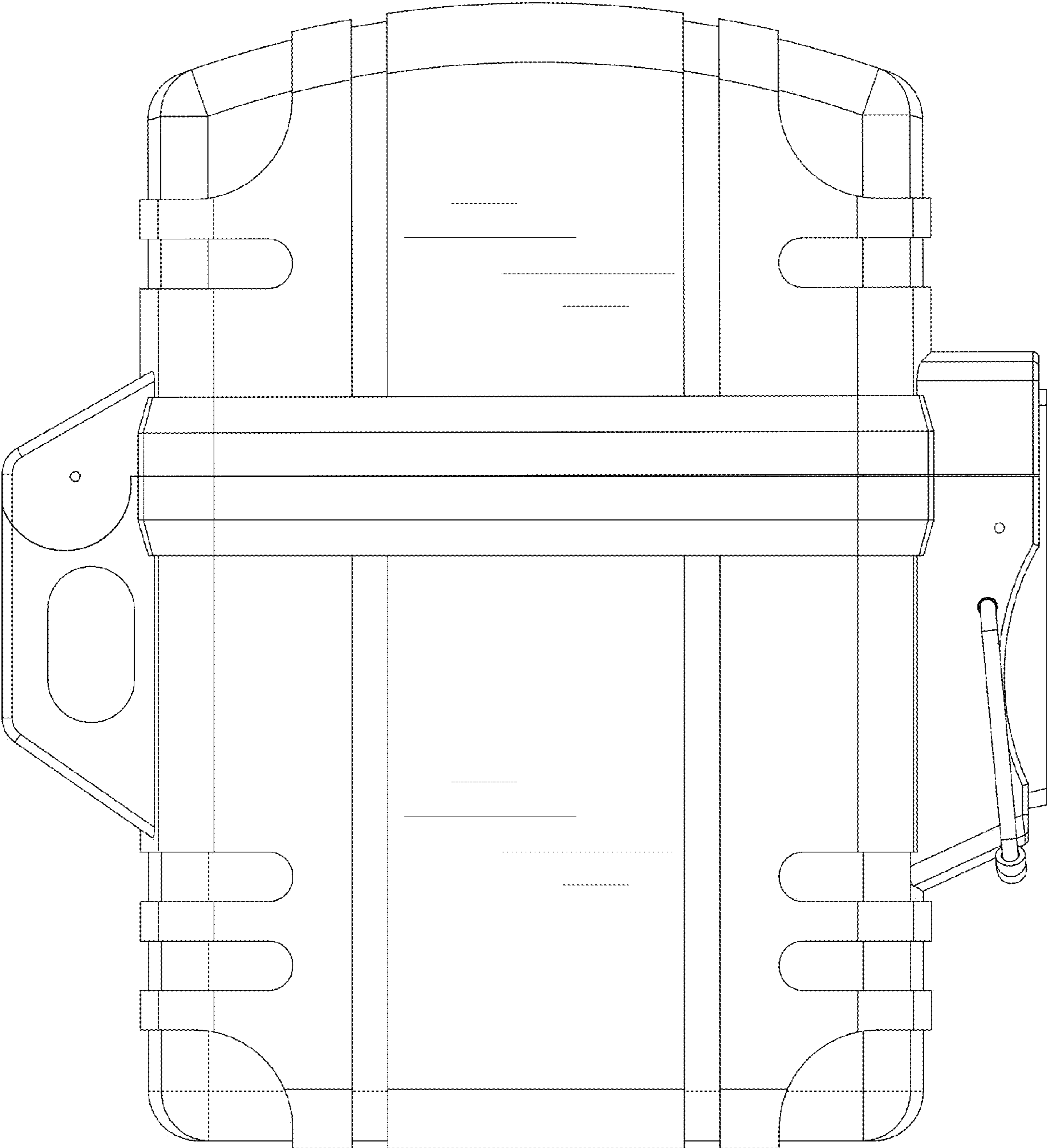


FIG. 4

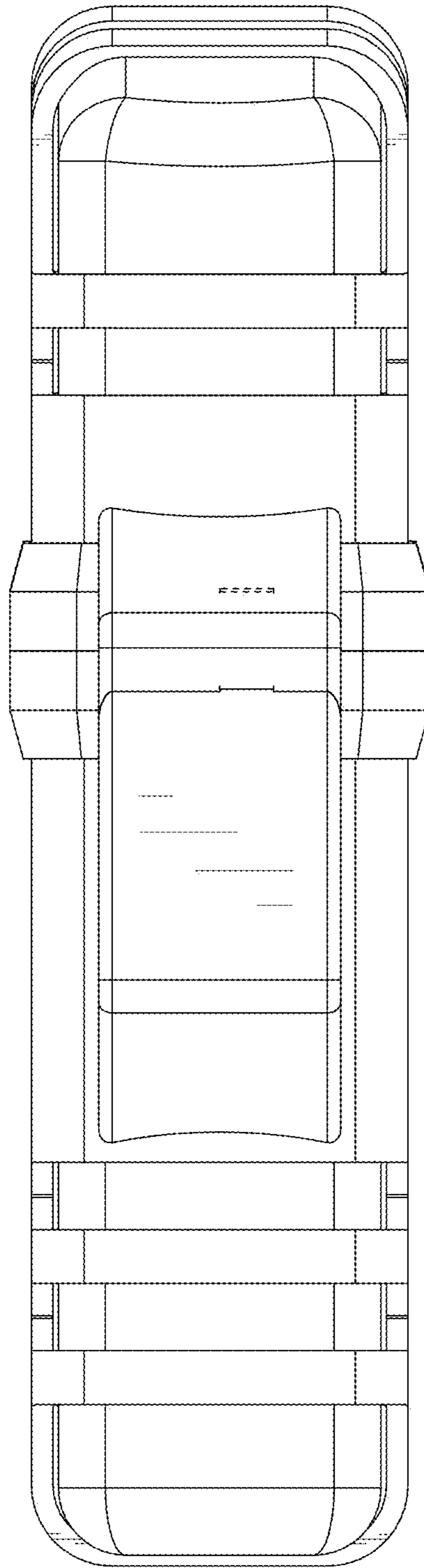


FIG. 5

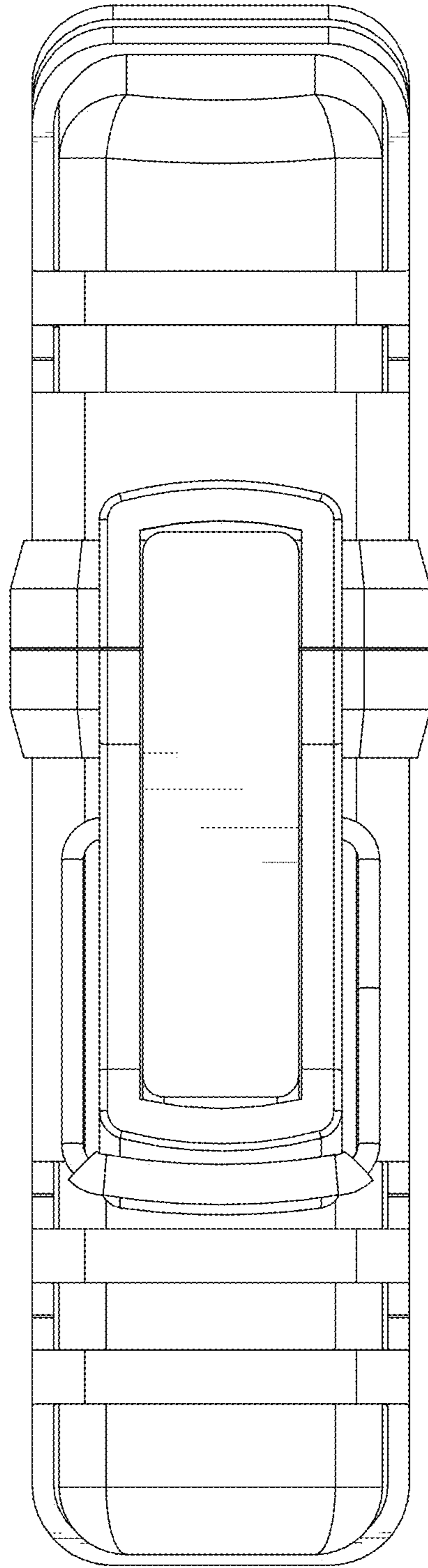


FIG. 6

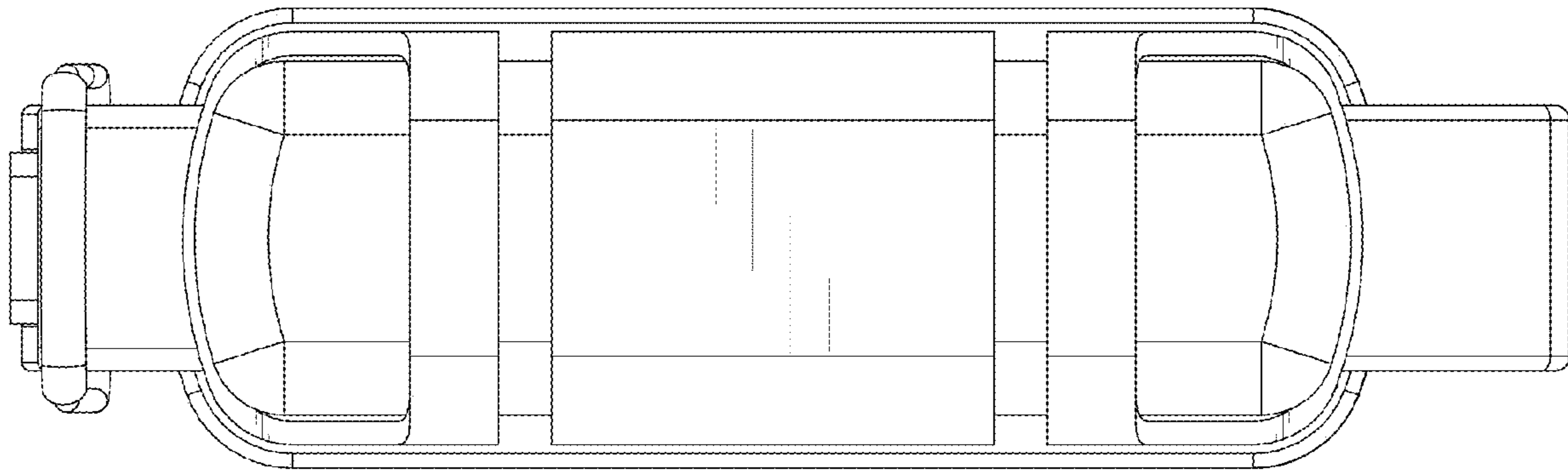


FIG. 7

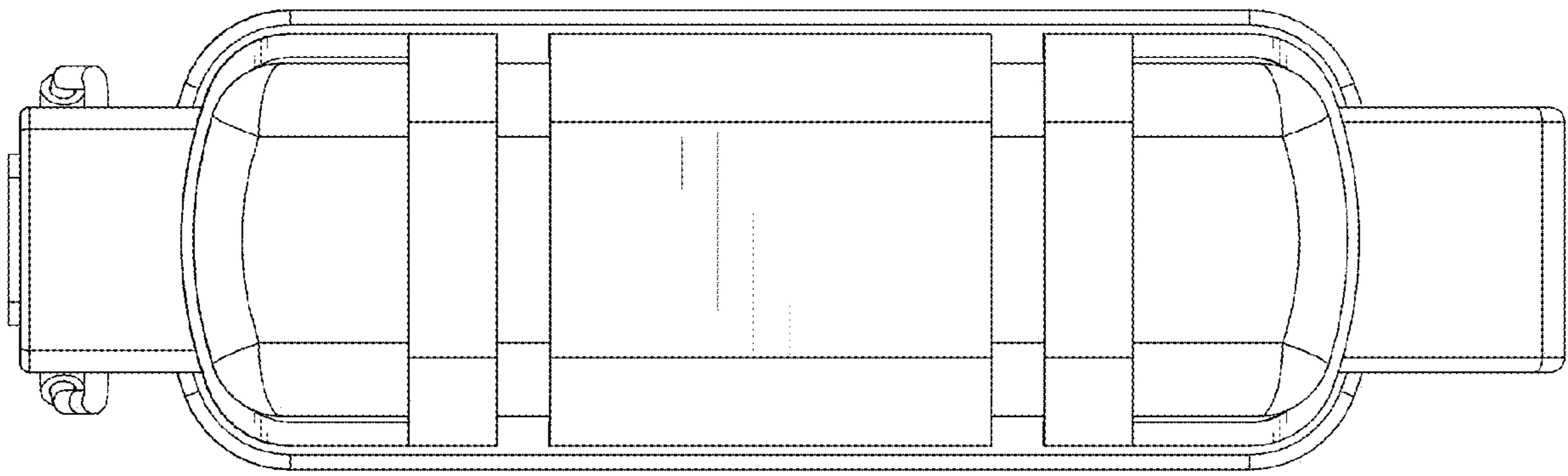


FIG. 8