



US00D949459S

(12) **United States Design Patent** (10) **Patent No.:** **US D949,459 S**
Atkinson (45) **Date of Patent:** **** Apr. 19, 2022**

(54) **ASH BOTTLE**
(71) Applicant: **Troy Atkinson**, Reynoldsburg, OH (US)
(72) Inventor: **Troy Atkinson**, Reynoldsburg, OH (US)
(**) Term: **15 Years**
(21) Appl. No.: **29/718,578**
(22) Filed: **Dec. 26, 2019**
(51) **LOC (13) Cl.** **27-03**
(52) **U.S. Cl.**
USPC **D27/103**
(58) **Field of Classification Search**
USPC D27/103, 102, 104, 106, 137, 138;
D9/516, 517, 519, 529, 549, 556, 558,
D9/562, 565, 571, 434-436, 439-445,
D9/447-450, 446, 455, 723-729,
D9/737-739; D28/76-91.1
CPC . A24F 19/0092; A47G 23/02; A47G 23/0241;
A47G 23/0316
See application file for complete search history.

D846,391 S * 4/2019 Duquet D9/447
D857,988 S * 8/2019 Huchet D28/7
D897,863 S * 10/2020 Han D9/726
2020/0268186 A1 * 8/2020 Huff A47G 23/0241

OTHER PUBLICATIONS

Removable Downstec Ash Catcher By: thickassglass found on line Mar. 11, 2021 <https://www.thickassglass.com/products/tag-45-degree-removable-downstem-ash-catcher-5-00-18mm-male-to-18mm-female> (2020).*
Banger Can By: thickassglass found on line Mar. 11, 2021 [thickassglass.com/collections/created-desc-all-products/products/tag-quartz-banger-can-flat-top-high-air-flow](https://www.thickassglass.com/collections/created-desc-all-products/products/tag-quartz-banger-can-flat-top-high-air-flow).*

* cited by examiner

Primary Examiner — Rebecca Tsehaye
(74) *Attorney, Agent, or Firm* — Porter, Wright Morris & Arthur, LLP

(57) **CLAIM**

The ornamental design for ash bottle, as shown and described.

(56) **References Cited**

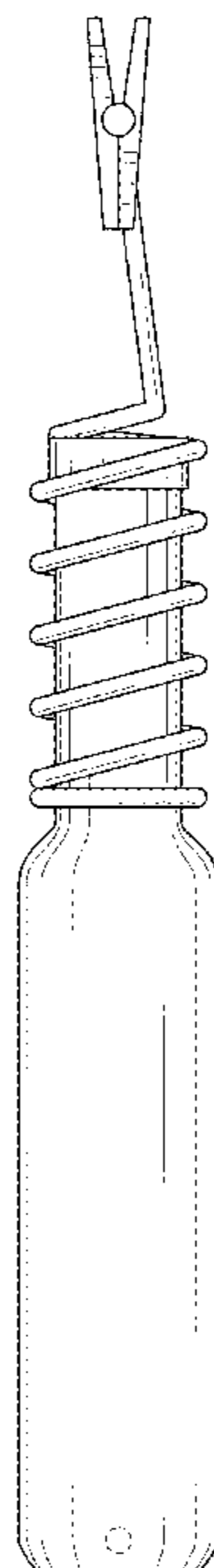
U.S. PATENT DOCUMENTS

D418,944 S * 1/2000 Choi D28/58
D630,951 S * 1/2011 Lim D9/723
D669,981 S * 10/2012 Ruiz, Sr. D24/133
D675,534 S * 2/2013 Weiler D9/549
D695,907 S * 12/2013 Duquet D24/222
D696,417 S * 12/2013 Duquet D24/222
D696,788 S * 12/2013 Duquet D24/222
D696,789 S * 12/2013 Duquet D24/222
D774,922 S * 12/2016 Moreaux D9/724
D816,510 S * 5/2018 Nakagawa D9/724
D830,627 S * 10/2018 Duquet D28/7
D841,485 S * 2/2019 Lee D9/726

DESCRIPTION

FIG. 1 is a front view of an ash bottle according to my new design;
FIG. 2 is a left-side view thereof;
FIG. 3 is a rear view thereof;
FIG. 4 is a right-side view thereof;
FIG. 5 is a top view thereof; and,
FIG. 6 is a bottom view thereof.
The broken lines in the drawing depict portions of the ash bottle that form no portion of the claimed design.

1 Claim, 3 Drawing Sheets



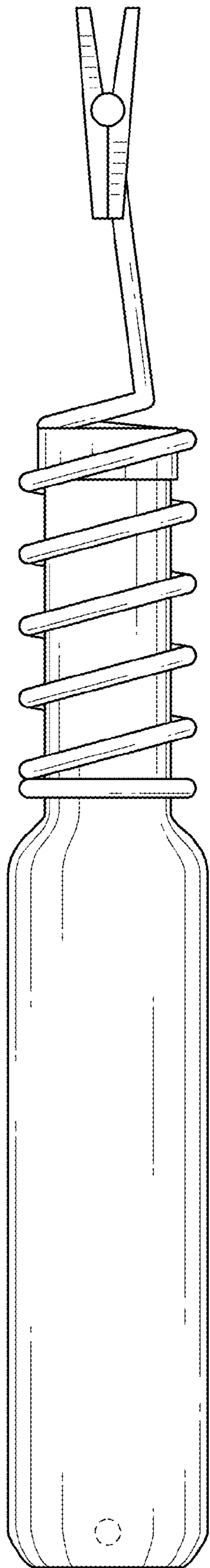


FIG. 1

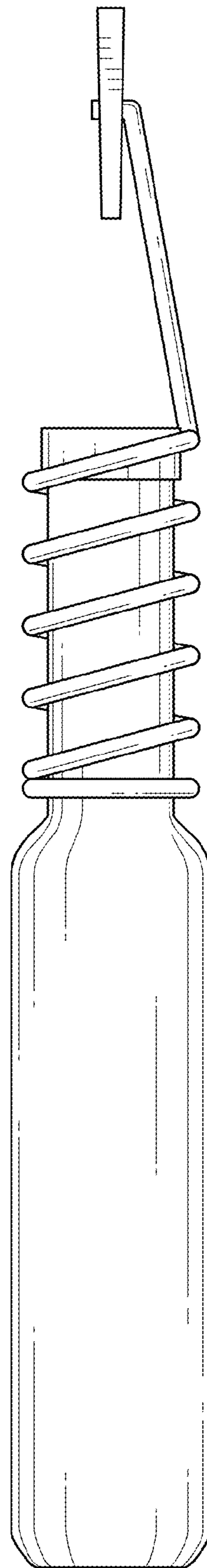


FIG. 2

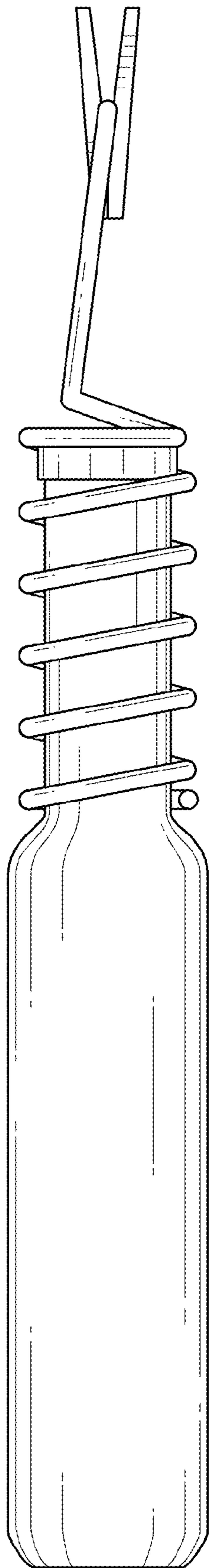


FIG. 3

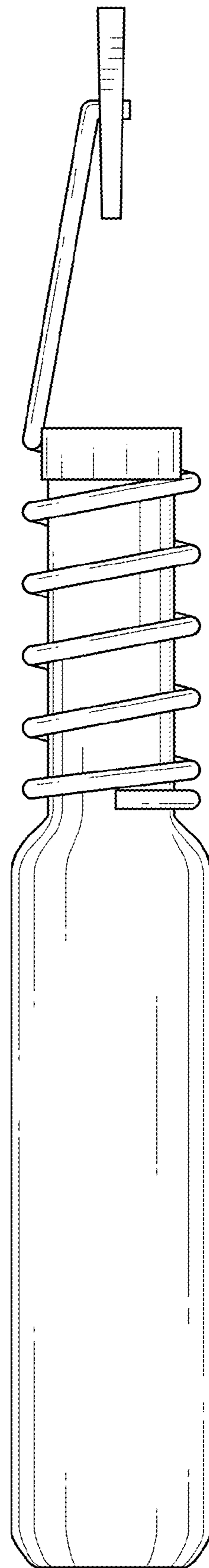


FIG. 4

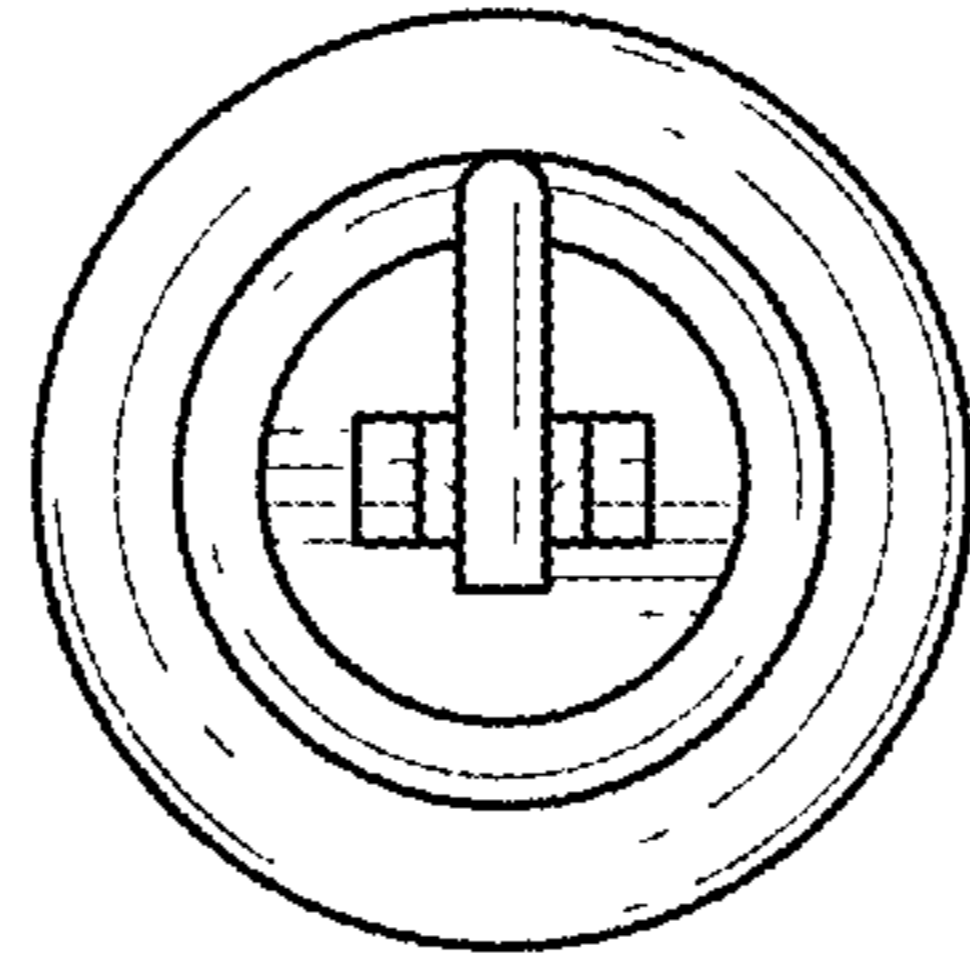


FIG. 5

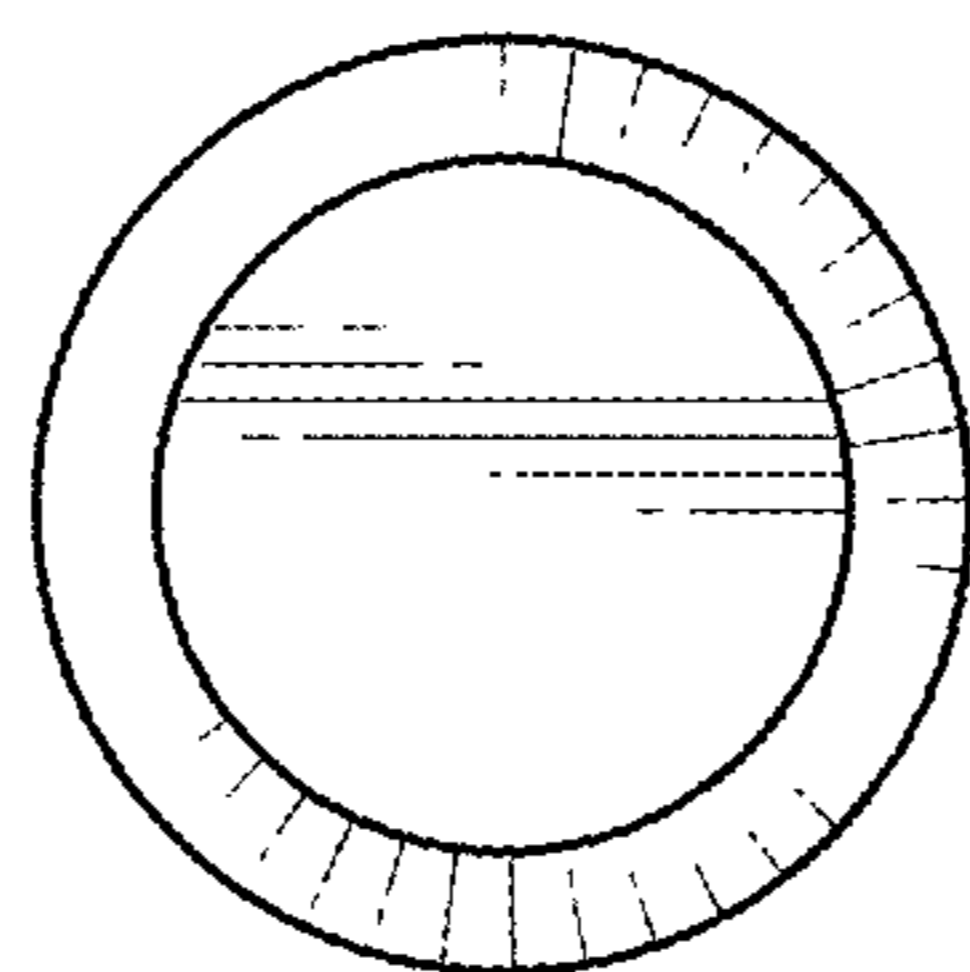


FIG. 6