



US00D949455S

(12) **United States Design Patent**  
**Hsu**

(10) **Patent No.:** **US D949,455 S**  
(45) **Date of Patent:** **\*\* Apr. 19, 2022**

(54) **LIGHTING DEVICE**

(71) Applicant: **Dong Guan Jia Sheng Lighting Technology Co., Ltd. China,**  
Dong-Guna (CN)

(72) Inventor: **Kevin Hsu, Taichung (TW)**

(73) Assignee: **Dong Guan Jia Sheng Lighting Technology Co., Ltd. China,**  
Guang-Dong (CN)

(\*\*) Term: **15 Years**

(21) Appl. No.: **29/710,900**

(22) Filed: **Oct. 28, 2019**

(51) **LOC (13) Cl.** ..... **26-05**

(52) **U.S. Cl.**  
USPC ..... **D26/87**

(58) **Field of Classification Search**  
USPC ..... D10/111–115; D26/24, 26, 34, 44, 51,  
D26/58, 60, 61, 63, 67, 68, 71, 72, 74,  
D26/75, 76, 78, 80–89, 92, 93, 102, 104,  
D26/106, 108, 110, 113, 117, 118, 119,  
D26/120, 121, 135, 137, 141, 142, 148  
CPC ..... F21S 8/00; F21S 8/02; F21S 8/03; F21S  
8/032; F21S 8/033; F21S 8/036; F21S  
8/04; F21S 8/043; F21S 8/08; F21S  
8/081; F21S 8/086; F21S 8/088; F21S  
9/00; F21S 9/03; F21S 9/032; F21S  
9/035; F21S 9/037

See application file for complete search history.

(56) **References Cited**

**U.S. PATENT DOCUMENTS**

D807,551 S *	1/2018	Wiedemer	.....	D26/67
D843,038 S *	3/2019	Vyvey	.....	D26/40
D861,941 S *	10/2019	Hammer	.....	D26/40
D887,067 S *	6/2020	Dulley	.....	D26/87
D892,383 S *	8/2020	McDennon	.....	D26/87
10,753,599 B1 *	8/2020	Hsu	.....	H04R 1/028
D913,564 S *	3/2021	Glazer	.....	F21S 2/005
				D26/87

D919,155 S *	5/2021	Luo	.....	D26/67
D923,837 S *	6/2021	Ye	.....	D26/40
2021/0088204 A1 *	3/2021	Hsu	.....	F21V 21/0824

**OTHER PUBLICATIONS**

Hinkley Atwater 14" High Black Outdoor Wall Light (available online) Retrieved from the internet Oct. 5, 2021 from URL: [https://www.lampsplus.com/products/hinkley-atwater-14-inch-high-black-outdoor-wall-light\\_55w49.html](https://www.lampsplus.com/products/hinkley-atwater-14-inch-high-black-outdoor-wall-light_55w49.html).\*

Kichler South Hope 28" High Rubbed Bronze Outdoor Wall Light (available online) Retrieved from the internet Oct. 5, 2021 from URL: [https://www.lampsplus.com/products/kichler-south-hope-28-inch-high-rubbed-bronze-outdoor-wall-light\\_35d63.html](https://www.lampsplus.com/products/kichler-south-hope-28-inch-high-rubbed-bronze-outdoor-wall-light_35d63.html).\*

Feiss Shepherd 25½"H Weathered Zinc Outdoor Wall Light (available online) Retrieved from the internet Oct. 5, 2021 from URL: [https://www.lampsplus.com/products/feiss-shepherd-25-and-one-half-inchh-weathered-zinc-outdoor-wall-light\\_8n681.html](https://www.lampsplus.com/products/feiss-shepherd-25-and-one-half-inchh-weathered-zinc-outdoor-wall-light_8n681.html).\*

\* cited by examiner

*Primary Examiner* — Kevin K Rudzinski

*Assistant Examiner* — Richard Kearney

(74) *Attorney, Agent, or Firm* — Alan D. Kamrath; Karin L. Williams; Mayer & Williams PC

(57) **CLAIM**

The ornamental design for a lighting device, as shown and described.

**DESCRIPTION**

FIG. 1 is a perspective view of a lighting device showing my design.

FIG. 2 is a front elevational view thereof.

FIG. 3 is a rear elevational view thereof.

FIG. 4 is a left side elevational view thereof.

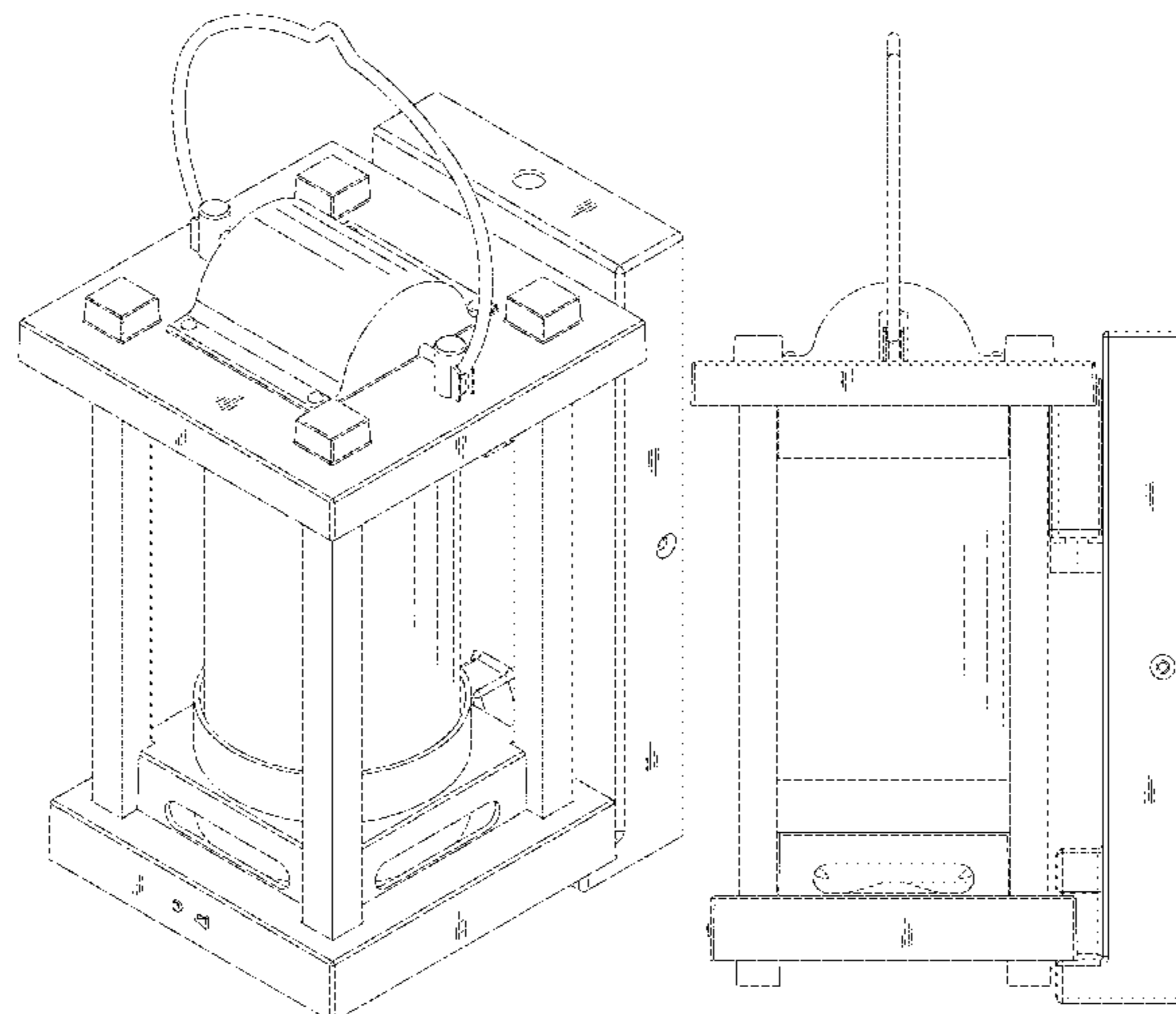
FIG. 5 is a right side elevational view thereof.

FIG. 6 is a top plan view thereof; and,

FIG. 7 is a bottom plan view thereof.

The broken lines shown in the drawings illustrate portions of the article and form no part of the claimed design.

**1 Claim, 7 Drawing Sheets**



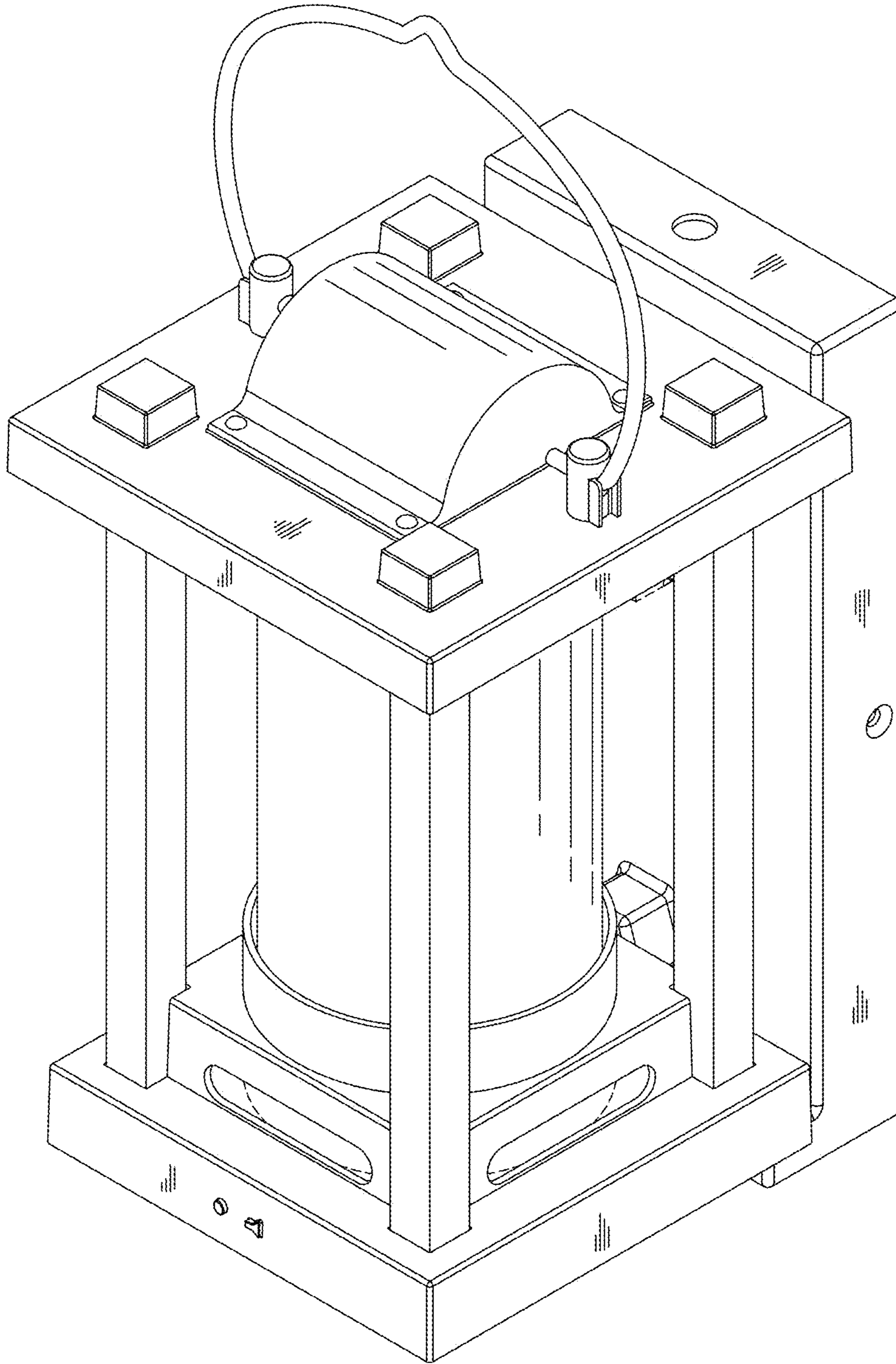


FIG. 1

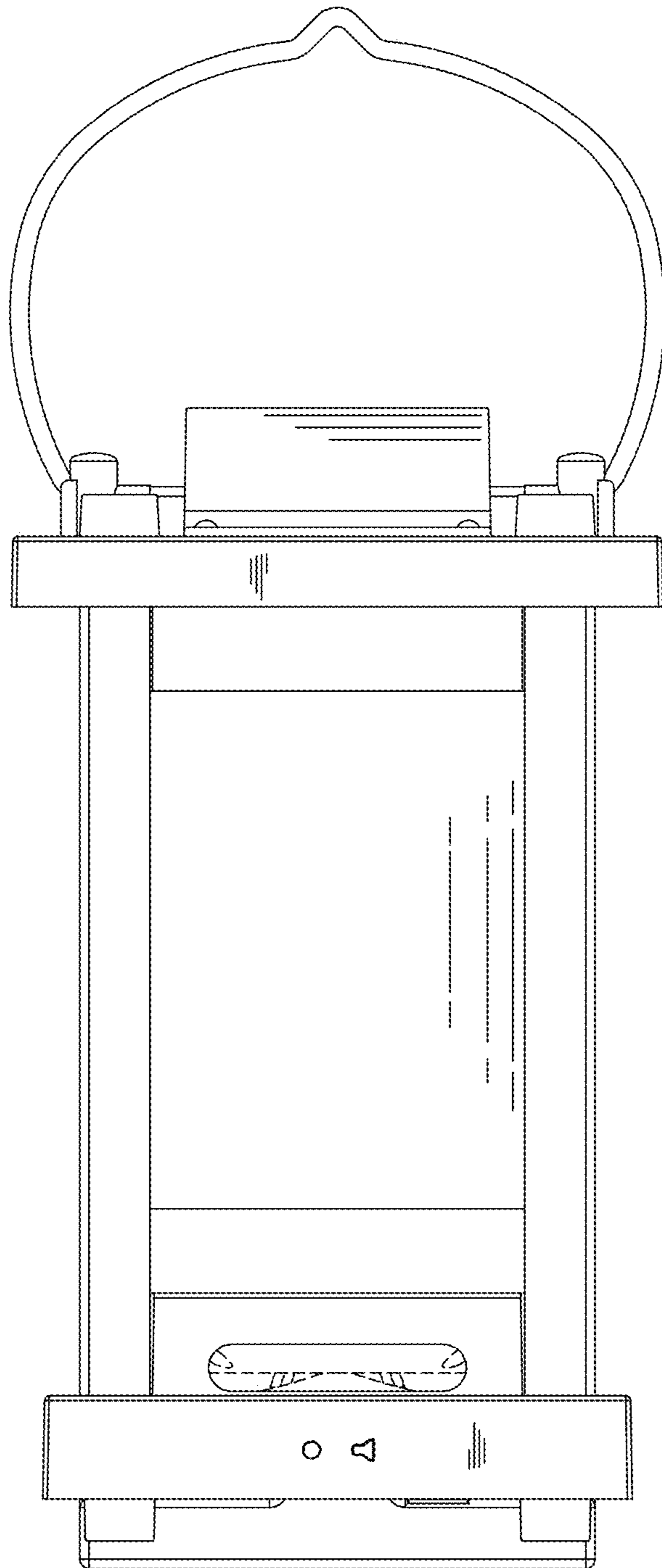


FIG. 2

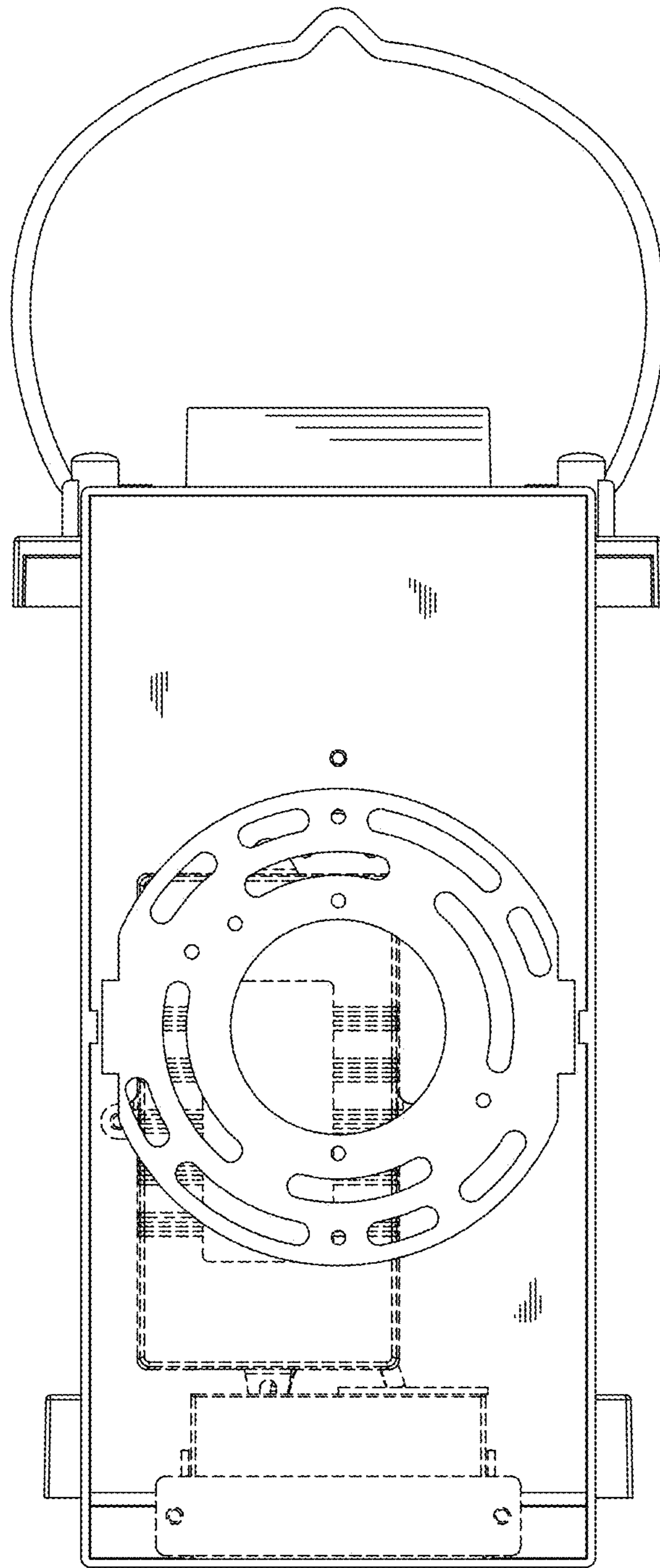


FIG. 3

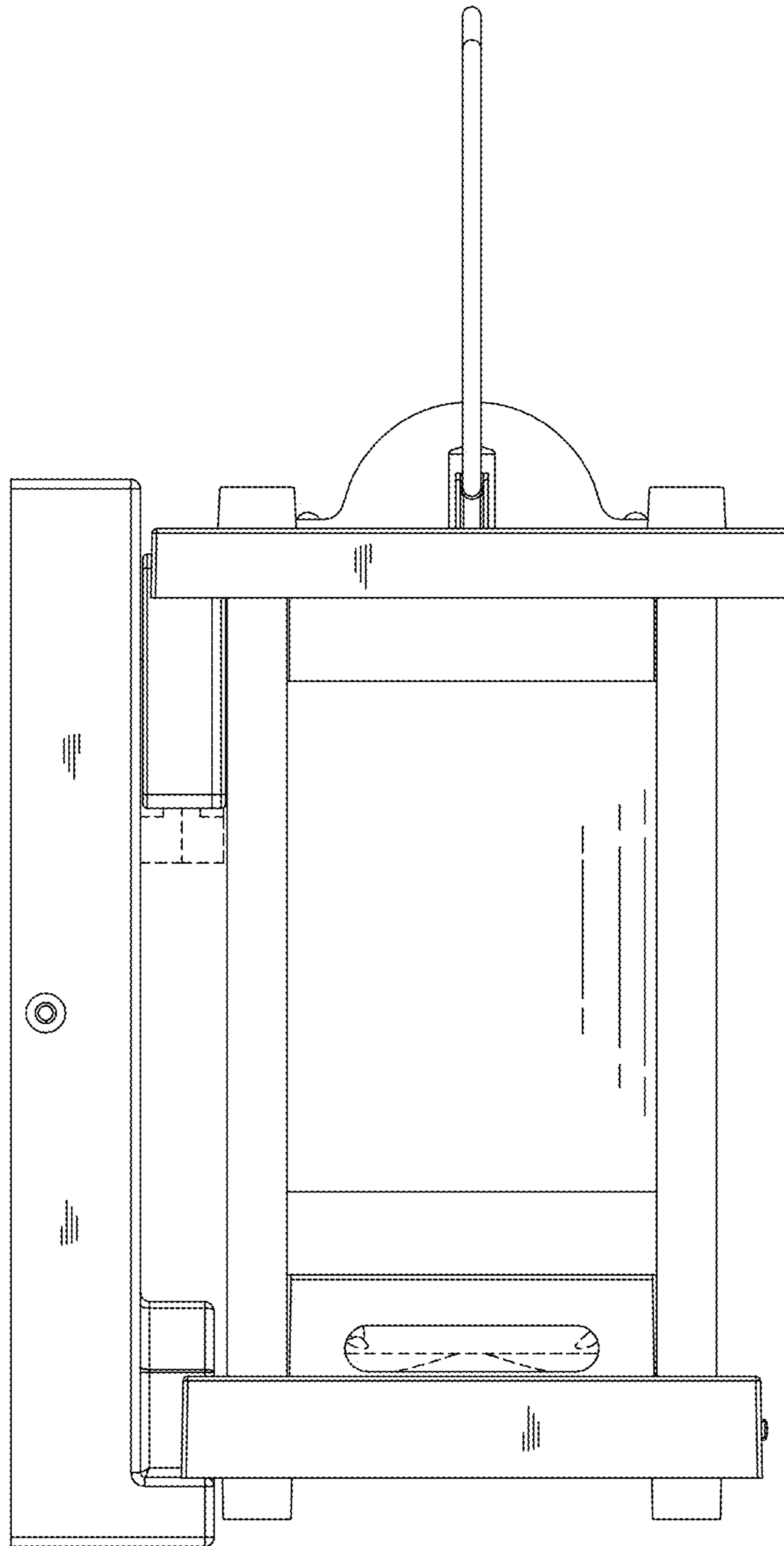


FIG. 4

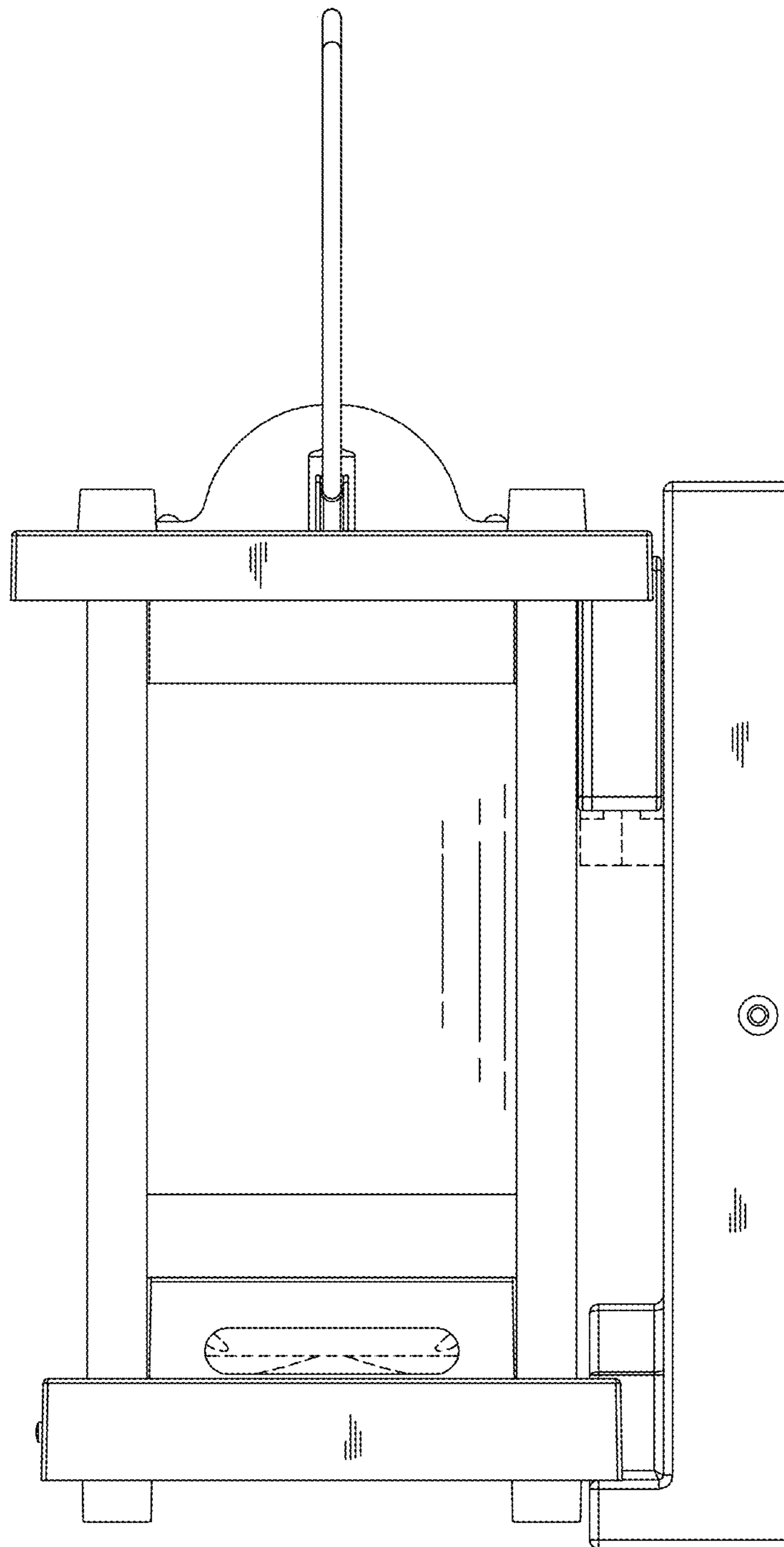


FIG. 5

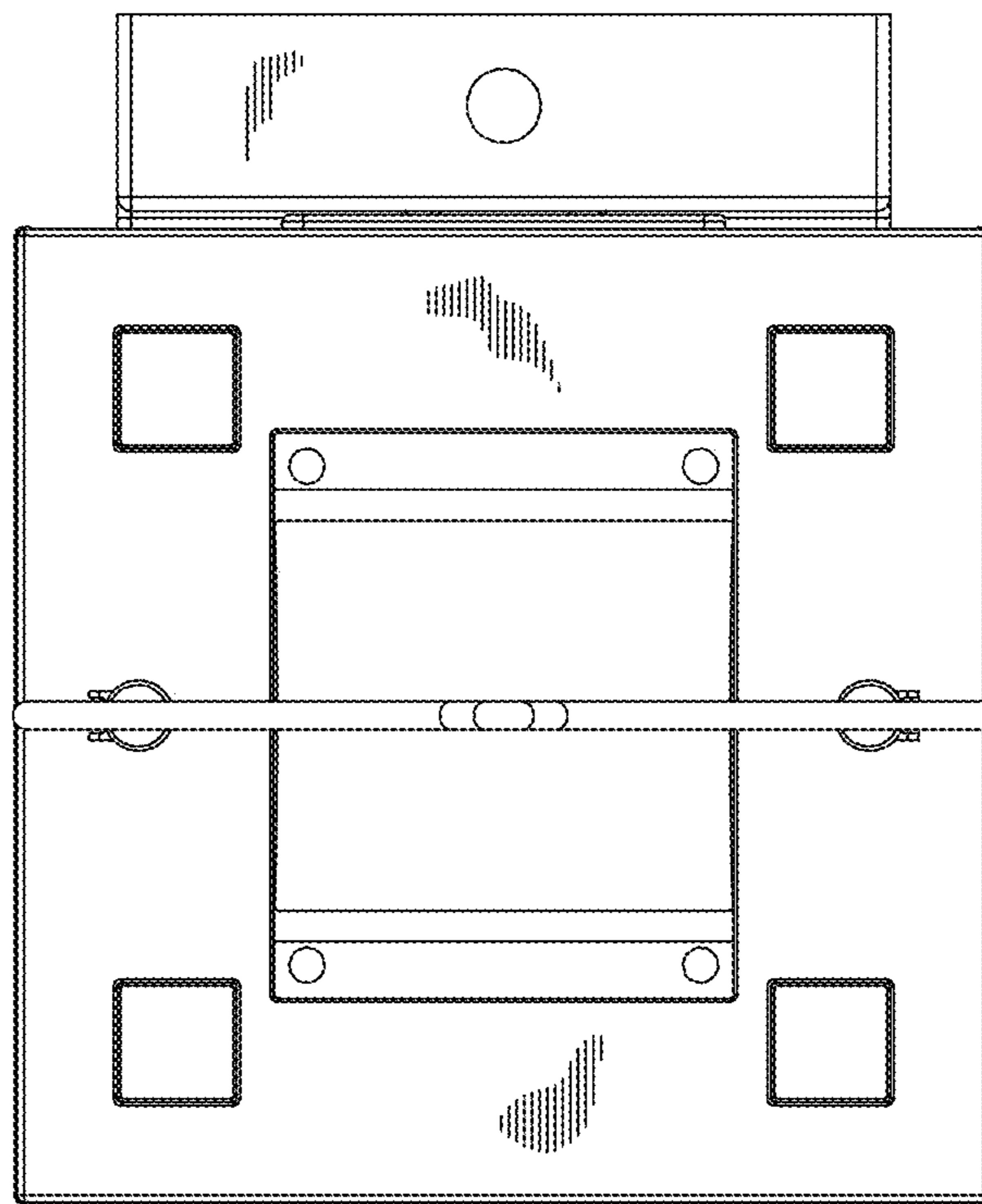


FIG.6

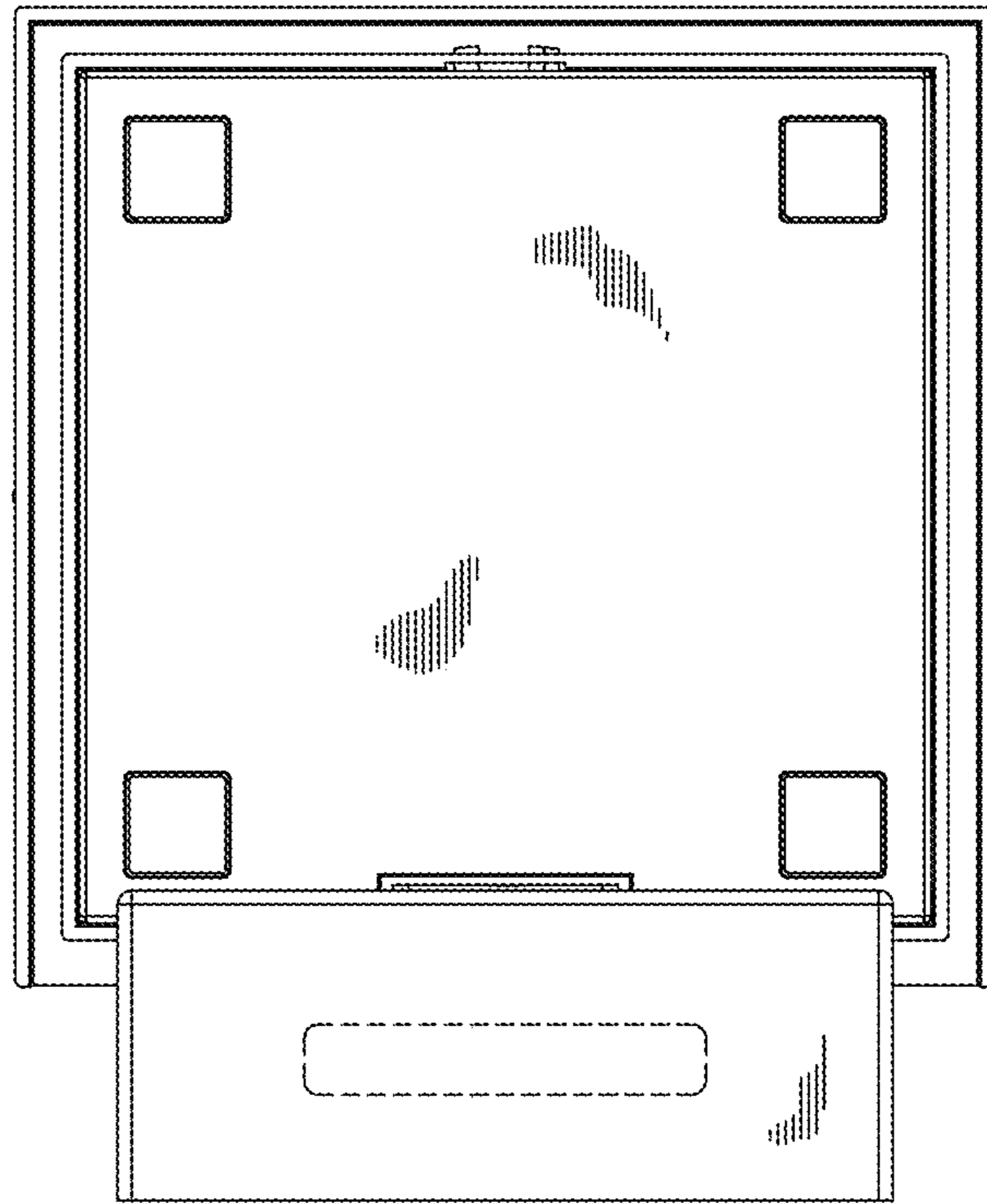


FIG. 7